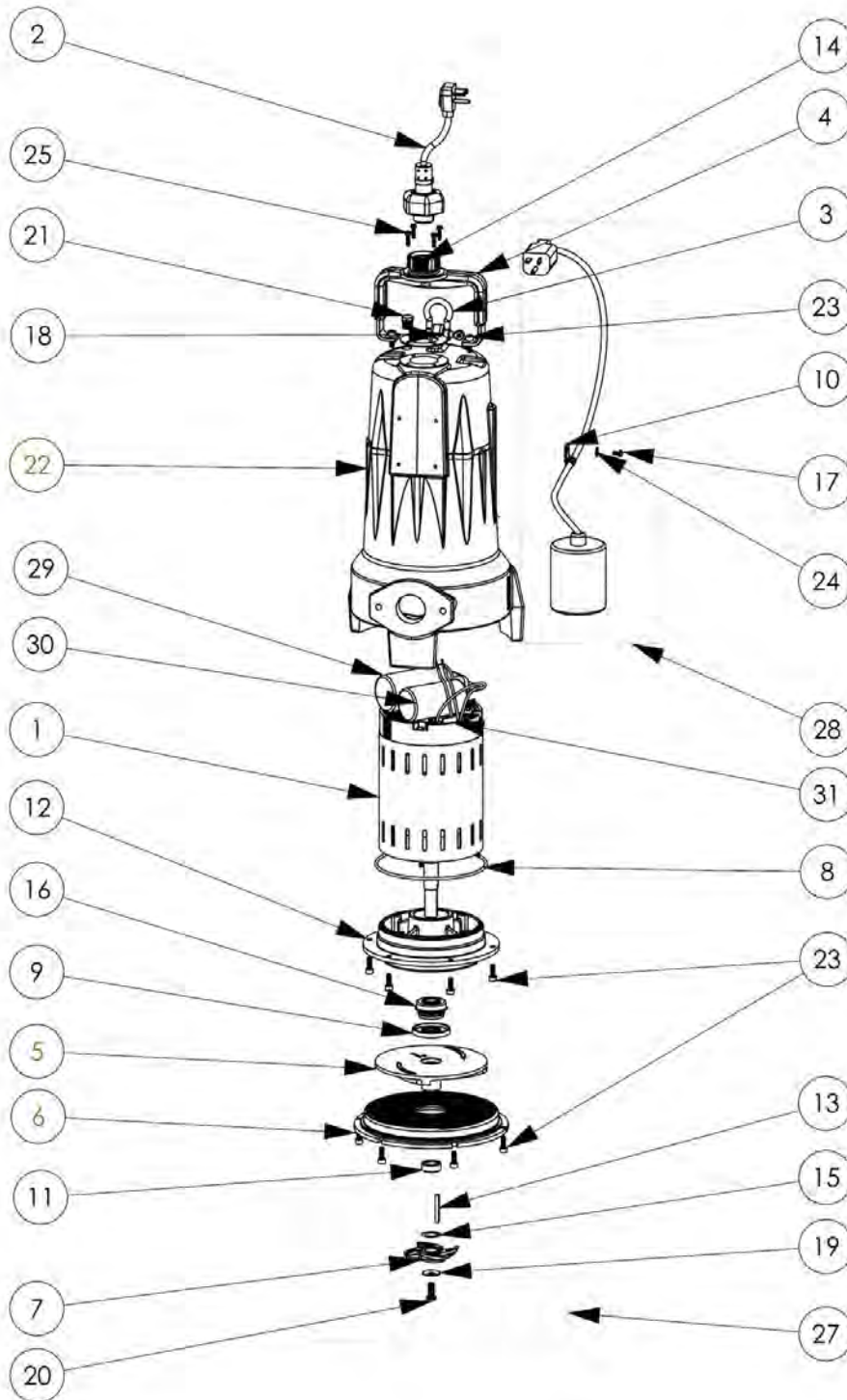


LSG202A (B15)



LSG202A

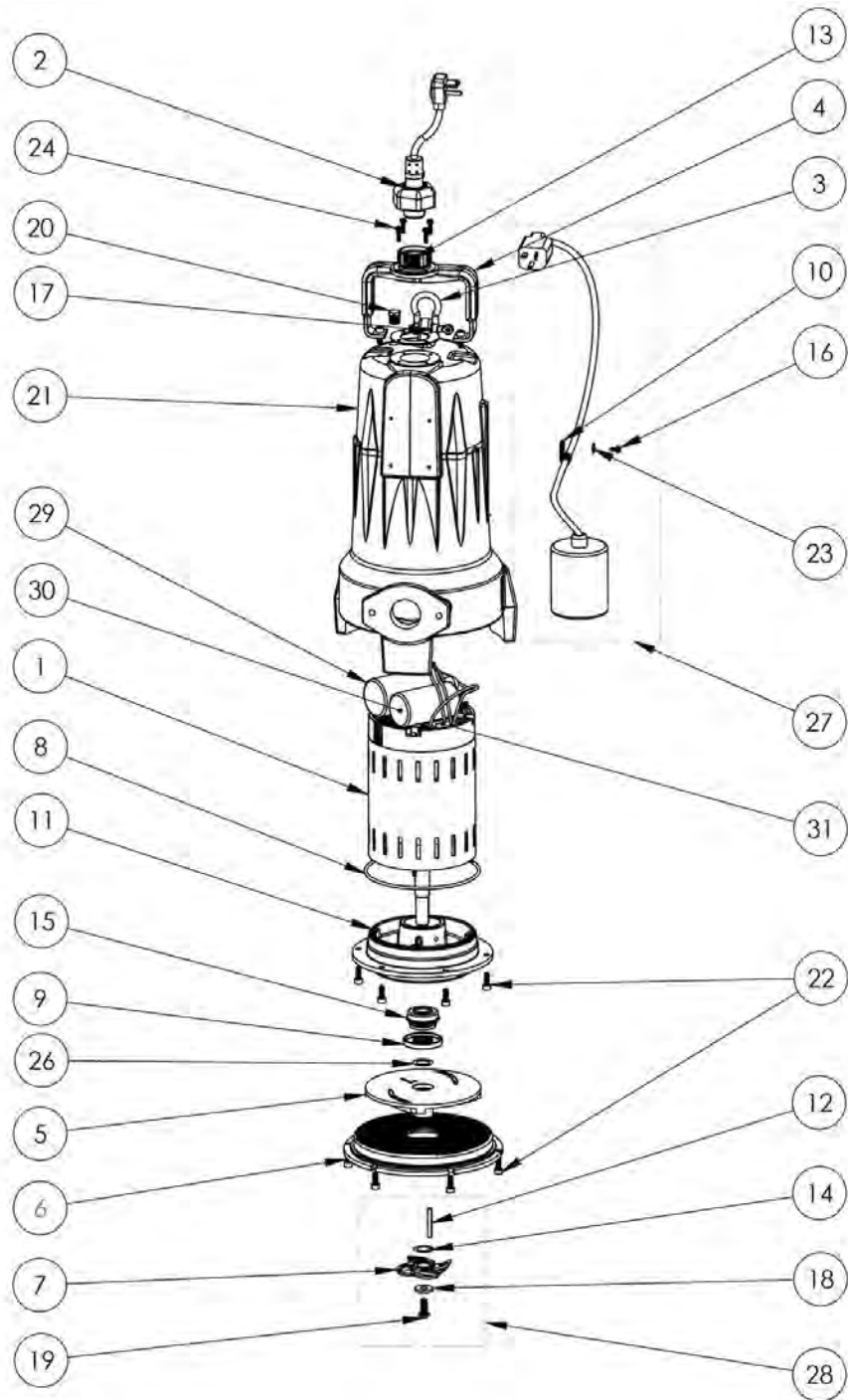
LSG202A (B15)

#	PART #	DESCRIPTION	QTY	Note
1	5601000	MOTOR	1	[1]
2	K001140	POWER CORD	1	
3	5611000	SHACKLE	1	
4	5613000	HANDLE	1	
5	K001538	GRINDER IMPELLER KIT	1	[2]
6	5615000	CUTTER PLATE	1	
7	5616900	ROTARY CUTTER	1	
8	5617000	O-RING	1	
9	5618000	DOUBLE LIP SEAL	1	[1]
10	5630000	CABLE CLAMP S.S.	1	
11	5621000	BUSHING	1	
12	5632000	MOTOR PLATE	1	[1]
13	5635000	KEY	1	
14	K001216	5619000, CORDPLATE	1	
15	K001445	ROTARY CUTTER SHIM KIT	1	
16	5633000	3/4" UNITIZED SHAFT SEAL	1	[1]
17	8082000	#10-24 x 3/8 EPOXY LOCK SCREW	1	
18	5060000	CORD PLATE GASKET	1	
19	5634000	BELLEVILLE WASHER, STAINLESS STEEL	1	
20	5636000	IMPELLER BOLT	1	
21	5071000	BRASS OIL PLUG	1	
22	560000R	OMNIVORE HOUSINGP/N - 5600000 - LSG200 HOUSING	1	
23	5646000	CAP SCREW, SHCS, 1/4-28 X 9/16" SS	14	
24	8141000	WASHER, #10 X 1/2 SS	1	
25	8064000	#8-32 x 5/8 HEX WASHER HEAD SCREW	4	
27	K001139	ROTARY CUTTER KIT	1	[3]
28	K001136	SWITCH KIT	1	
29	K001228	RUN CAPACITOR	1	
30	K001227	START CAPACITOR	1	
31	K001229	START SWITCH	1	

PART NOTES:

- [1] - Part requires factory authorized service. Contact Liberty Pumps at 1-800-543-2550
- [2] - The new 5614000 impeller no longer requires bushing (P/N 5621000) for assembly.
- [3] - ForLSG GrinderCutter Replacment Instructions see LSG Grinder Cutter Replacement

LSG202A (B27)



LSG202A

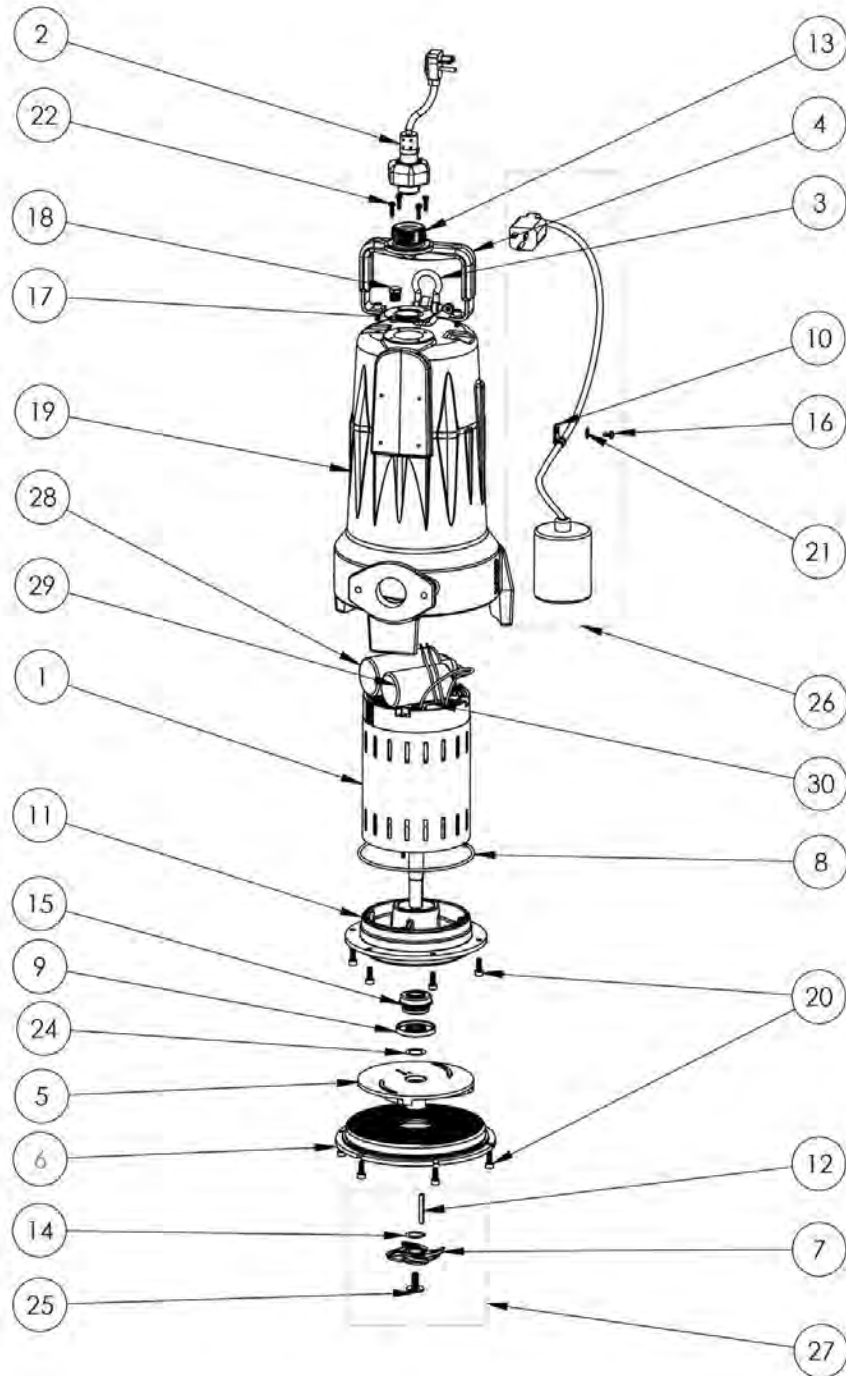
LSG202A (B27)

#	PART #	DESCRIPTION	QTY	Note
1	5601000	MOTOR	1	[1]
2	K001140	POWER CORD	1	
3	5611000	SHACKLE	1	
4	5613000	HANDLE	1	
5	K001538	GRINDER IMPELLER KIT	1	
6	5615000	CUTTER PLATE	1	
7	5616900	ROTARY CUTTER	1	
8	5617000	O-RING	1	
9	5618000	DOUBLE LIP SEAL	1	[1]
10	5630000	CABLE CLAMP S.S.	1	
11	5632000	MOTOR PLATE	1	[1]
12	5635000	KEY	1	
13	K001216	5619000, CORDPLATE	1	
14	K001445	ROTARY CUTTER SHIM KIT	1	
15	5633000	3/4" UNITIZED SHAFT SEAL	1	[1]
16	8082000	#10-24 x 3/8 EPOXY LOCK SCREW	1	
17	5060000	CORD PLATE GASKET	1	
18	56340A0	FLAT WASHER	1	
19	5636000	IMPELLER BOLT	1	
20	5071000	BRASS OIL PLUG	1	
21	560000R	OMNIVORE HOUSING	1	
22	5646000	CAP SCREW, SHCS, 1/4-28 X 9/16" SS	14	
23	8141000	WASHER, #10 X 1/2 SS	1	
24	8064000	#8-32 x 5/8 HEX WASHER HEAD SCREW	4	
26	5627000	SHIM WASHER	1	
27	K001136	SWITCH KIT	1	
28	K001139	ROTARY CUTTER KIT	1	[2]
29	K001228	RUN CAPACITOR	1	
30	K001227	START CAPACITOR	1	
31	K001229	START SWITCH	1	

PART NOTES:

- [1] - Part requires factory authorized service. Contact Liberty Pumps at 1-800-543-2550
- [2] - ForLSG GrinderCutter Replacment Instructions see LSG Grinder Cutter Replacement

LSG202A (B28)



LSG202A

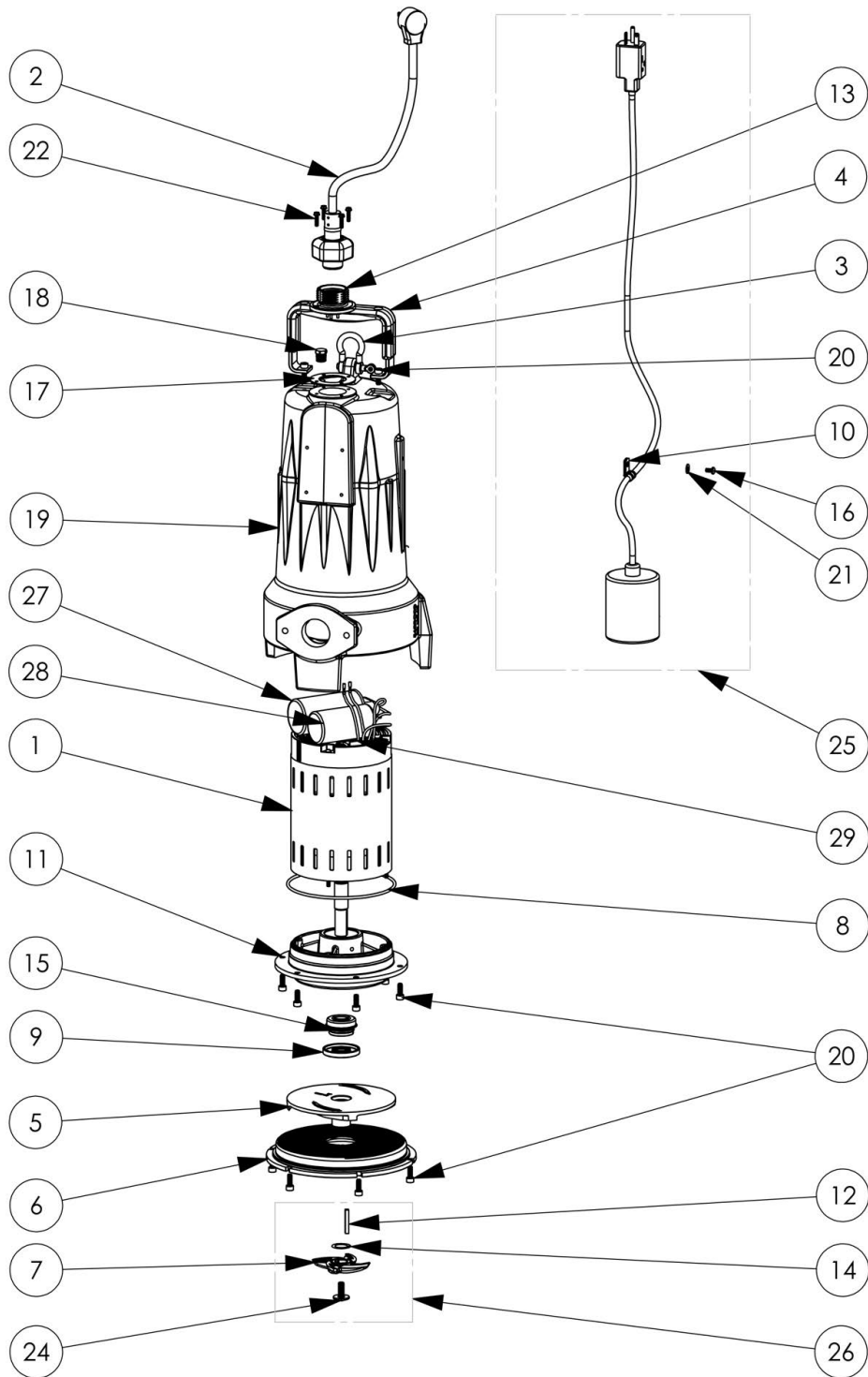
LSG202A (B28)

#	PART #	DESCRIPTION	QTY	Note
1	5601000	MOTOR	1	[1]
2	K001140	POWER CORD	1	
3	5611000	SHACKLE	1	
4	5613000	HANDLE	1	
5	K001538	GRINDER IMPELLER KIT	1	
6	5615000	CUTTER PLATE	1	
7	5616900	ROTARY CUTTER	1	
8	5617000	O-RING	1	
9	5618000	DOUBLE LIP SEAL	1	[1]
10	5630000	CABLE CLAMP S.S.	1	
11	5632000	MOTOR PLATE	1	[1]
12	5635000	KEY	1	
13	K001216	5619000, CORDPLATE	1	
14	K001445	ROTARY CUTTER SHIM KIT	1	
15	5633000	3/4" UNITIZED SHAFT SEAL	1	[1]
16	8082000	#10-24 x 3/8 EPOXY LOCK SCREW	1	
17	5060000	CORD PLATE GASKET	1	
18	5071000	BRASS OIL PLUG	1	
19	560000R	OMNIVORE HOUSING	1	
20	5646000	CAP SCREW, SHCS, 1/4-28 X 9/16" SS	14	
21	8141000	WASHER, #10 X 1/2 SS	1	
22	8064000	#8-32 x 5/8 HEX WASHER HEAD SCREW	4	
24	5627000	SHIM WASHER	1	
25	56360A0	FLANGED IMPELLER BOLT	1	
26	K001136	SWITCH KIT	1	
27	K001139	ROTARY CUTTER KIT	1	[2]
28	K001228	RUN CAPACITOR	1	
29	K001227	START CAPACITOR	1	
30	K001229	START SWITCH	1	

PART NOTES:

- [1] - Part requires factory authorized service. Contact Liberty Pumps at 1-800-543-2550
- [2] - ForLSG GrinderCutter Replacment Instructions see LSG Grinder Cutter Replacement

LSG202A (B29)



LSG202A

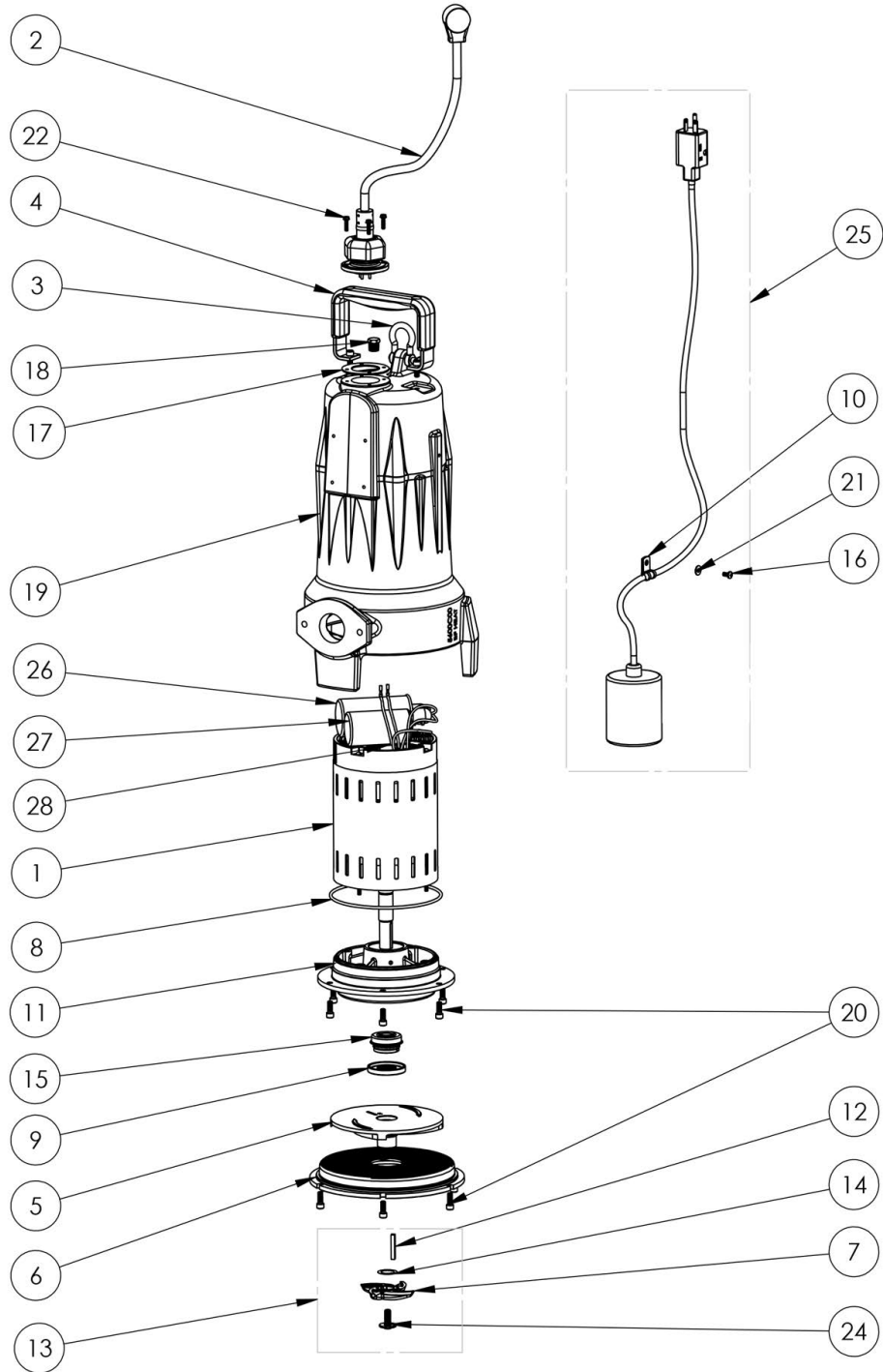
LSG202A (B29)

#	PART #	DESCRIPTION	QTY	Note
1	5601000	MOTOR	1	[1]
2	K001140	POWER CORD	1	
3	5611000	SHACKLE	1	
4	5613000	HANDLE	1	
5	K001538	GRINDER IMPELLER KIT	1	
6	5615000	CUTTER PLATE	1	
7	5616900	ROTARY CUTTER	1	
8	5617000	O-RING	1	
9	5618000	DOUBLE LIP SEAL	1	[1]
10	5630000	CABLE CLAMP S.S.	1	
11	5632000	MOTOR PLATE	1	[1]
12	56350A0	KEY	1	
13	K001216	5619000, CORDPLATE	1	
14	K001445	ROTARY CUTTER SHIM KIT	1	
15	5633000	3/4" UNITIZED SHAFT SEAL	1	[1]
16	8082000	#10-24 x 3/8 EPOXY LOCK SCREW	1	
17	5060000	CORD PLATE GASKET	1	
18	5071000	BRASS OIL PLUG	1	
19	560000R	OMNIVORE HOUSING	1	
20	5646000	CAP SCREW, SHCS, 1/4-28 X 9/16" SS	14	
21	8141000	WASHER, #10 X 1/2 SS	1	
22	8064000	#8-32 x 5/8 HEX WASHER HEAD SCREW	4	
24	56360A0	FLANGED IMPELLER BOLT	1	
25	K001136	SWITCH KIT	1	
26	K001139	ROTARY CUTTER KIT	1	[2]
27	K001228	RUN CAPACITOR	1	
28	K001227	START CAPACITOR	1	
29	K001229	START SWITCH	1	

PART NOTES:

- [1] - Part requires factory authorized service. Contact Liberty Pumps at 1-800-543-2550
- [2] - ForLSG GrinderCutter Replacment Instructions see LSG Grinder Cutter Replacement

LSG202A (B48)



LSG202A

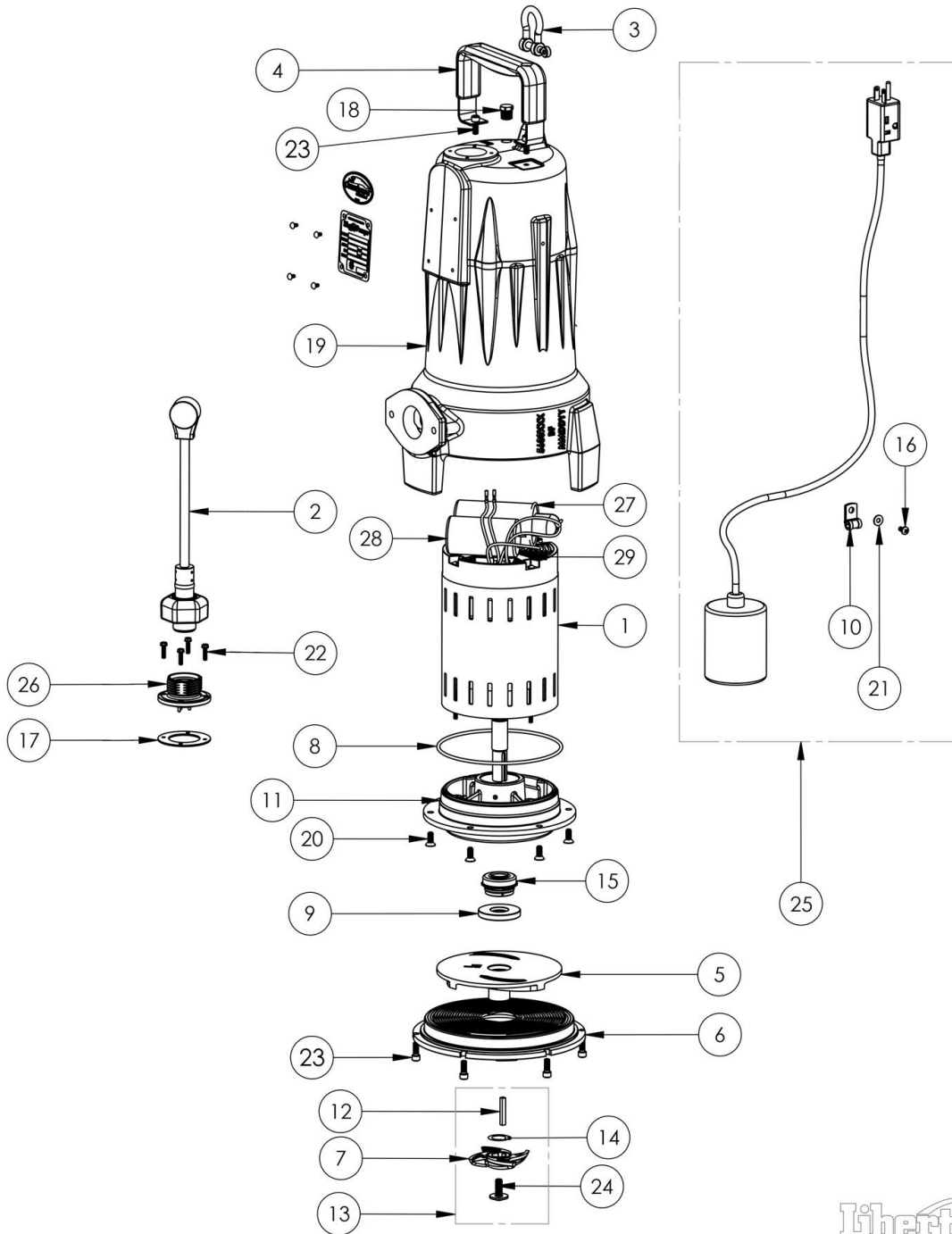
LSG202A (B48)

#	PART #	DESCRIPTION	QTY	Note
1	5601000	MOTOR	1	[1]
2	K001140	POWER CORD	1	
3	5611000	SHACKLE	1	
4	5613000	HANDLE	1	
5	K001538	GRINDER IMPELLER KIT	1	
6	5615000	CUTTER PLATE	1	
7	5616900	ROTARY CUTTER	1	
8	5617000	O-RING	1	
9	5618000	DOUBLE LIP SEAL	1	[1]
10	5630000	CABLE CLAMP S.S.	1	
11	5632000	MOTOR PLATE	1	[1]
12	56350A0	KEY	1	
13	K001139	ROTARY CUTTER KIT	1	[2]
14	K001445	ROTARY CUTTER SHIM KIT	1	
15	5633000	3/4" UNITIZED SHAFT SEAL	1	[1]
16	8082000	#10-24 x 3/8 EPOXY LOCK SCREW	1	
17	5060000	CORD PLATE GASKET	1	
18	5071000	BRASS OIL PLUG	1	
19	560000R	OMNIVORE HOUSING	1	
20	8103000	SCREW 1/4-20x5/8" HX SKT SS	14	
21	8141000	WASHER, #10 X 1/2 SS	1	
22	8064000	#8-32 x 5/8 HEX WASHER HEAD SCREW	4	
24	56360A0	FLANGED IMPELLER BOLT	1	
25	K001136	SWITCH KIT	1	
26	K001228	RUN CAPACITOR	1	
27	K001227	START CAPACITOR	1	
28	K001229	START SWITCH	1	

PART NOTES:

- [1] - Part requires factory authorized service. Contact Liberty Pumps at 1-800-543-2550
- [2] - ForLSG GrinderCutter Replacment Instructions see LSG Grinder Cutter Replacement

LSG202A (B52)



Liberty
Pumps

LSG202A

LSG202A (B52)

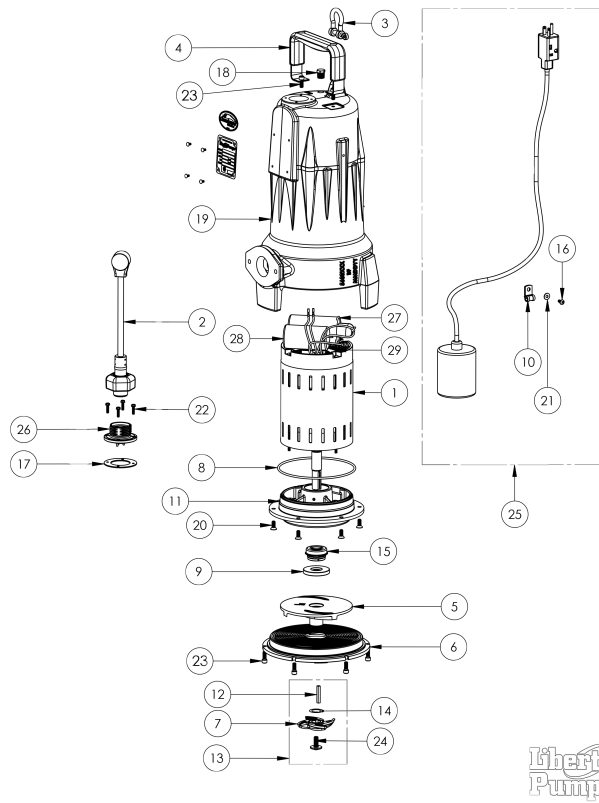
#	PART #	DESCRIPTION	QTY	Note
1	5601000	MOTOR	1	[1]
2	K001140	POWER CORD	1	
3	5611000	SHACKLE	1	
4	5613000	HANDLE	1	
5	K001538	GRINDER IMPELLER KIT	1	
6	K001395	CUTTER PLATE	1	
7	5616900	ROTARY CUTTER	1	
8	5617000	O-RING	1	
9	5618000	DOUBLE LIP SEAL	1	[1]
10	5630000	CABLE CLAMP S.S.	1	
11	5632000	MOTOR PLATE	1	[1]
12	56350A0	KEY	1	
13	K001139	ROTARY CUTTER KIT	1	[2]
14	K001445	ROTARY CUTTER SHIM KIT	1	
15	5633000	3/4" UNITIZED SHAFT SEAL	1	[1]
16	8082000	#10-24 x 3/8 EPOXY LOCK SCREW	1	
17	5060000	CORD PLATE GASKET	1	
18	5071000	BRASS OIL PLUG	1	
19	560000R	OMNIVORE HOUSING	1	
20	8018000	1/4-20 x 5/8 SLOTTED FLAT HEAD BOLT	6	
21	8141000	WASHER, #10 X 1/2 SS	1	
22	8064000	#8-32 x 5/8 HEX WASHER HEAD SCREW	4	
23	8103000	SCREW 1/4-20x5/8" HX SKT SS	8	
24	56360A0	FLANGED IMPELLER BOLT	1	
25	K001136	SWITCH KIT	1	
26	K001216	5619000, CORDPLATE	1	
27	K001228	RUN CAPACITOR	1	
28	K001227	START CAPACITOR	1	
29	K001229	START SWITCH	1	

PART NOTES:

- [1] - Part requires factory authorized service. Contact Liberty Pumps at 1-800-543-2550
- [2] - ForLSG GrinderCutter Replacment Instructions see LSG Grinder Cutter Replacement

LSG202ALC

LSG202ALC (B52)



LSG202ALC

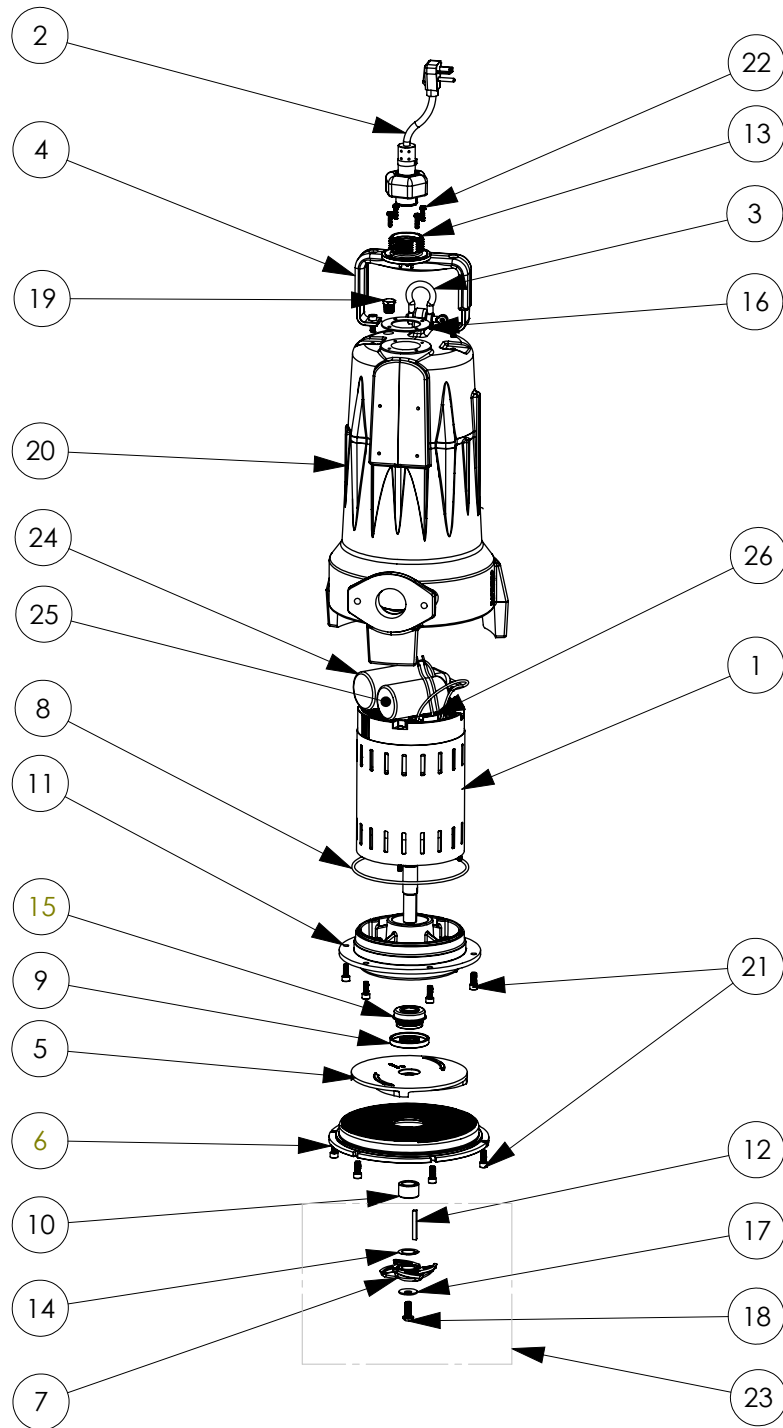
LSG202ALC (B52)

#	PART #	DESCRIPTION	QTY	Note
1	5601000	MOTOR	1	[1]
2	K001140	POWER CORD	1	
3	5611000	SHACKLE	1	
4	5613000	HANDLE	1	
5	56140A0	5.5 OMNIVORE IMPELLER	1	
6	5615000	CUTTER PLATE	1	
7	5616900	ROTARY CUTTER	1	
8	5617000	O-RING	1	
9	5618000	DOUBLE LIP SEAL	1	[1]
10	5630000	CABLE CLAMP S.S.	1	
11	5632000	MOTOR PLATE	1	[1]
12	56350A0	KEY	1	
13	K001139	ROTARY CUTTER KIT	1	[2]
14	K001445	ROTARY CUTTER SHIM KIT	1	
15	5633000	3/4" UNITIZED SHAFT SEAL	1	[1]
16	8082000	#10-24 x 3/8 EPOXY LOCK SCREW	1	
17	5060000	CORD PLATE GASKET	1	
18	5071000	BRASS OIL PLUG	1	
19	560000R	OMNIVORE HOUSING	1	
20	8018000	1/4-20 x 5/8 SLOTTED FLAT HEAD BOLT	6	
21	8141000	WASHER, #10 X 1/2 SS	1	
22	8064000	#8-32 x 5/8 HEX WASHER HEAD SCREW	4	
23	8103000	SCREW 1/4-20x5/8" HX SKT SS	8	
24	56360A0	FLANGED IMPELLER BOLT	1	
25	K001136	SWITCH KIT	1	
26	K001216	5619000, CORDPLATE	1	
27	K001228	RUN CAPACITOR	1	
28	K001227	START CAPACITOR	1	
29	K001229	START SWITCH	1	

PART NOTES:

- [1] - Part requires factory authorized service. Contact Liberty Pumps at 1-800-543-2550
- [2] - ForLSG GrinderCutter Replacment Instructions see LSG Grinder Cutter Replacement

LSG202M (B15)



LSG202M

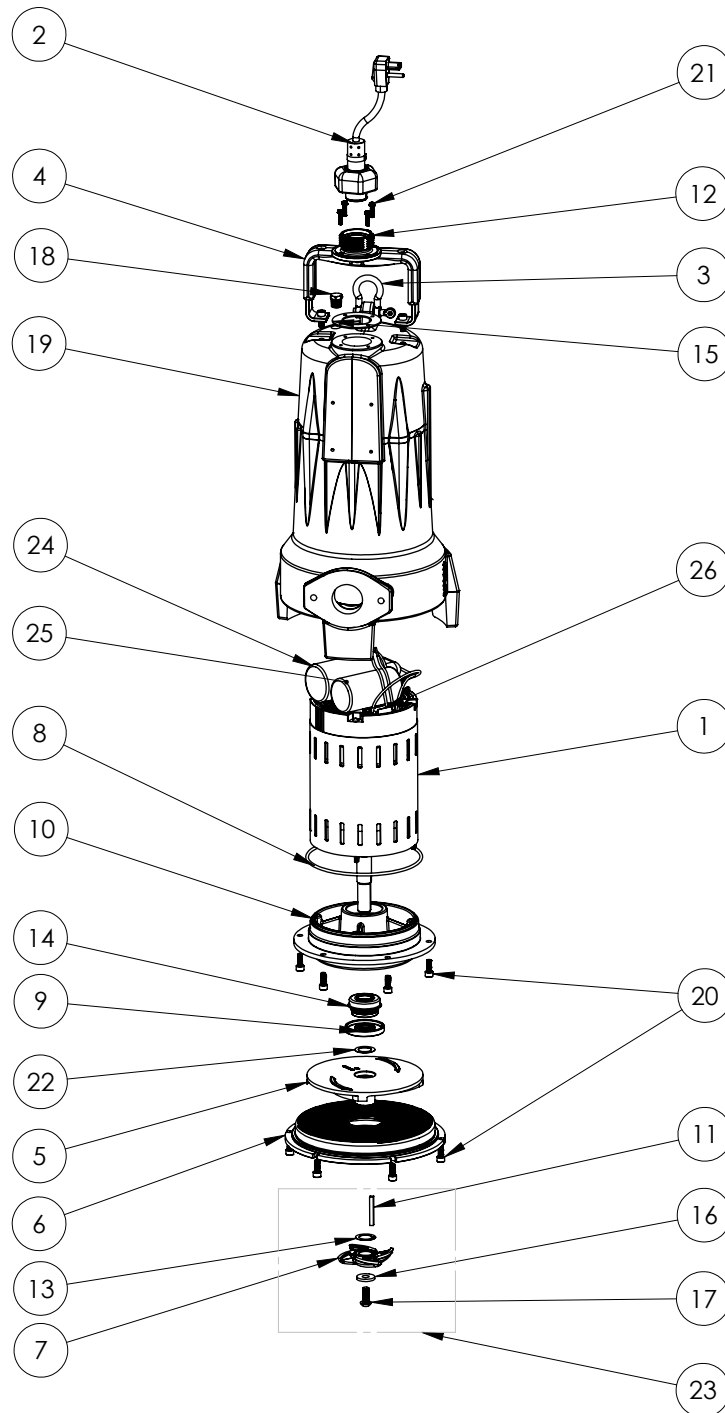
LSG202M (B15)

#	PART #	DESCRIPTION	QTY	Note
1	5601000	MOTOR	1	[1]
2	K001140	POWER CORD	1	
3	5611000	SHACKLE	1	
4	5613000	HANDLE	1	
5	K001538	GRINDER IMPELLER KIT	1	
6	5615000	CUTTER PLATE	1	
7	5616900	ROTARY CUTTER	1	
8	5617000	O-RING	1	
9	5618000	DOUBLE LIP SEAL	1	[1]
10	5621000	BUSHING	1	
11	5632000	MOTOR PLATE	1	[1]
12	5635000	KEY	1	
13	K001216	5619000, CORDPLATE	1	
14	K001445	ROTARY CUTTER SHIM KIT	1	
15	5633000	3/4" UNITIZED SHAFT SEAL	1	[1]
16	5060000	CORD PLATE GASKET	1	
17	5634000	BELLEVILLE WASHER, STAINLESS STEEL	1	
18	5636000	IMPELLER BOLT	1	
19	5071000	BRASS OIL PLUG	1	
20	560000R	OMNIVORE HOUSING	1	
21	5646000	CAP SCREW, SHCS, 1/4-28 X 9/16" SS	14	
22	8064000	#8-32 x 5/8 HEX WASHER HEAD SCREW	4	
23	K001139	ROTARY CUTTER KIT	1	[2]
24	K001228	RUN CAPACITOR	1	
25	K001227	START CAPACITOR	1	
26	K001229	START SWITCH	1	

PART NOTES:

- [1] - Part requires factory authorized service. Contact Liberty Pumps at 1-800-543-2550
- [2] - ForLSG GrinderCutter Replacment Instructions see LSG Grinder Cutter Replacement

LSG202M (B27)



LSG202M

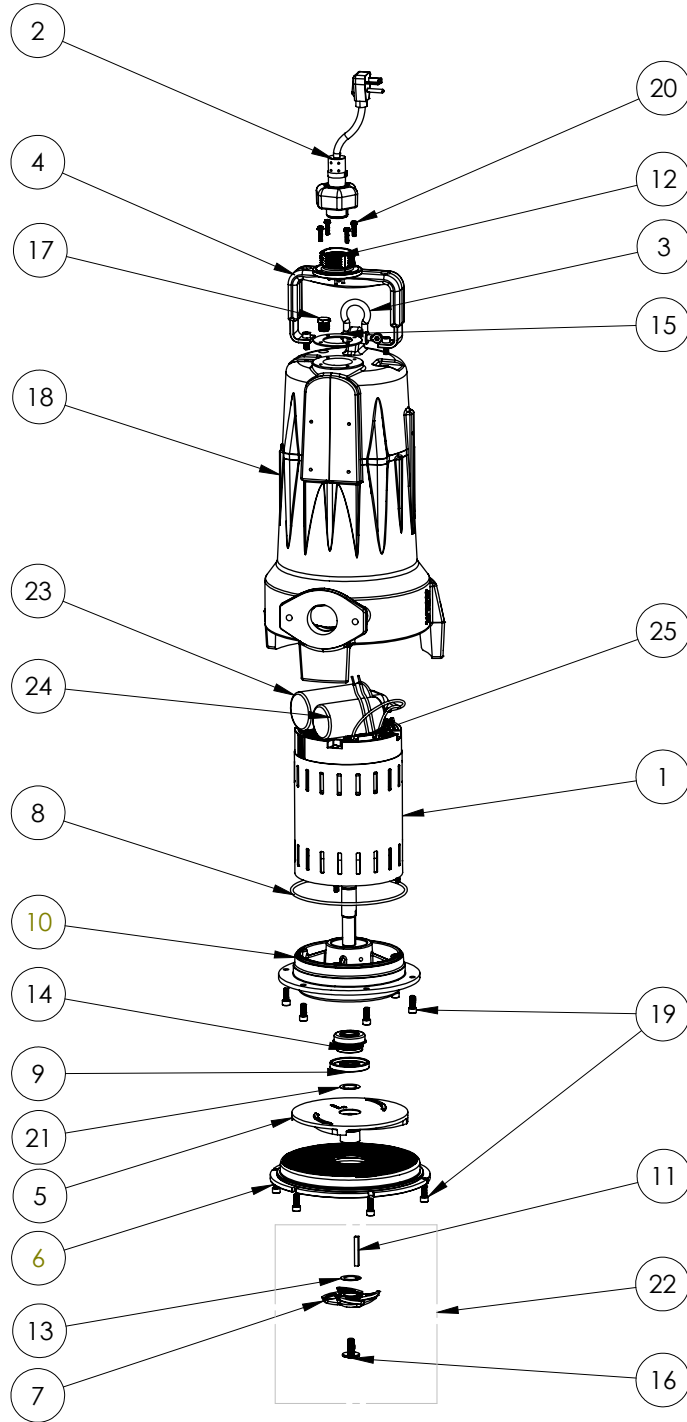
LSG202M (B27)

#	PART #	DESCRIPTION	QTY	Note
1	5601000	MOTOR	1	[1]
2	K001140	POWER CORD	1	
3	5611000	SHACKLE	1	
4	5613000	HANDLE	1	
5	K001538	GRINDER IMPELLER KIT	1	
6	5615000	CUTTER PLATE	1	
7	5616900	ROTARY CUTTER	1	
8	5617000	O-RING	1	
9	5618000	DOUBLE LIP SEAL	1	[1]
10	5632000	MOTOR PLATE	1	[1]
11	5635000	KEY	1	
12	K001216	5619000, CORDPLATE	1	
13	K001445	ROTARY CUTTER SHIM KIT	1	
14	5633000	3/4" UNITIZED SHAFT SEAL	1	[1]
15	5060000	CORD PLATE GASKET	1	
16	56340A0	FLAT WASHER	1	
17	5636000	IMPELLER BOLT	1	
18	5071000	BRASS OIL PLUG	1	
19	560000R	OMNIVORE HOUSING	1	
20	5646000	CAP SCREW, SHCS, 1/4-28 X 9/16" SS	14	
21	8064000	#8-32 x 5/8 HEX WASHER HEAD SCREW	4	
22	5627000	SHIM WASHER	1	
23	K001139	ROTARY CUTTER KIT	1	[2]
24	K001228	RUN CAPACITOR	1	
25	K001227	START CAPACITOR	1	
26	K001229	START SWITCH	1	

PART NOTES:

- [1] - Part requires factory authorized service. Contact Liberty Pumps at 1-800-543-2550
- [2] - ForLSG GrinderCutter Replacment Instructions see LSG Grinder Cutter Replacement

LSG202M (B28)



LSG202M

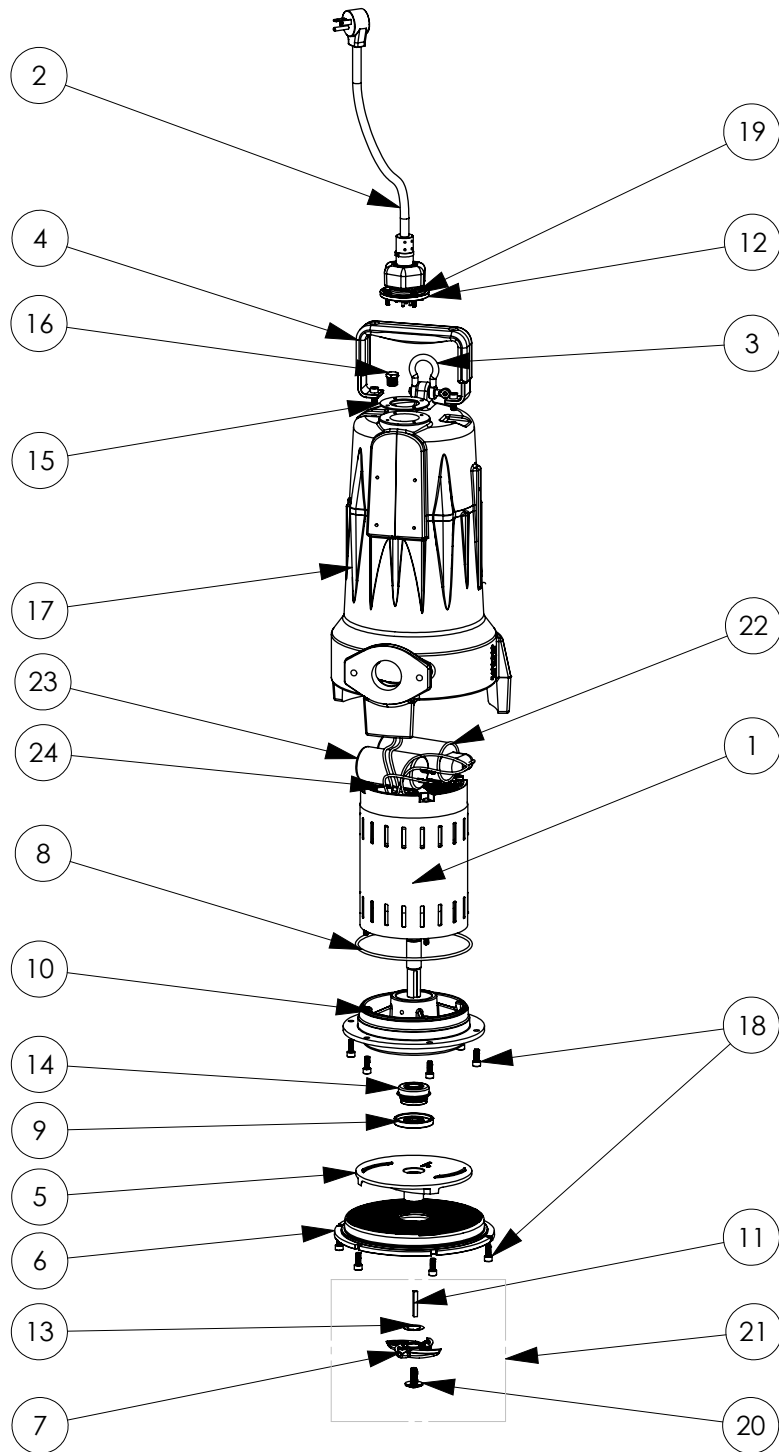
LSG202M (B28)

#	PART #	DESCRIPTION	QTY	Note
1	5601000	MOTOR	1	[1]
2	K001140	POWER CORD	1	
3	5611000	SHACKLE	1	
4	5613000	HANDLE	1	
5	K001538	GRINDER IMPELLER KIT	1	
6	5615000	CUTTER PLATE	1	
7	5616900	ROTARY CUTTER	1	
8	5617000	O-RING	1	
9	5618000	DOUBLE LIP SEAL	1	[1]
10	5632000	MOTOR PLATE	1	[1]
11	5635000	KEY	1	
12	K001216	5619000, CORDPLATE	1	
13	K001445	ROTARY CUTTER SHIM KIT	1	
14	5633000	3/4" UNITIZED SHAFT SEAL	1	[1]
15	5060000	CORD PLATE GASKET	1	
16	56360A0	FLANGED IMPELLER BOLT	1	
17	5071000	BRASS OIL PLUG	1	
18	560000R	OMNIVORE HOUSING	1	
19	5646000	CAP SCREW, SHCS, 1/4-28 X 9/16" SS	14	
20	8064000	#8-32 x 5/8 HEX WASHER HEAD SCREW	4	
21	5627000	SHIM WASHER	1	
22	K001139	ROTARY CUTTER KIT	1	[2]
23	K001228	RUN CAPACITOR	1	
24	K001227	START CAPACITOR	1	
25	K001229	START SWITCH	1	

PART NOTES:

- [1] - Part requires factory authorized service. Contact Liberty Pumps at 1-800-543-2550
- [2] - ForLSG GrinderCutter Replacment Instructions see LSG Grinder Cutter Replacement

LSG202M (B29)



LSG202M

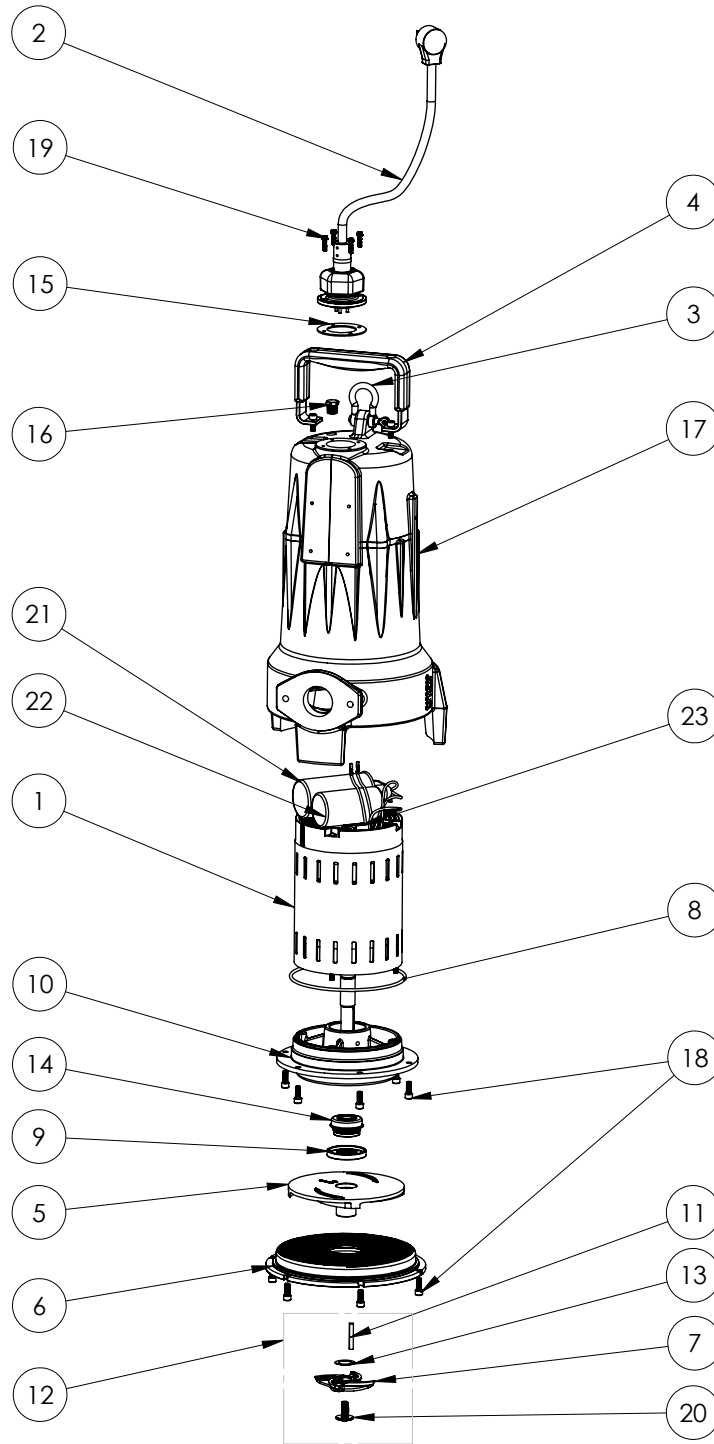
LSG202M (B29)

#	PART #	DESCRIPTION	QTY	Note
1	5601000	MOTOR	1	[1]
2	K001140	POWER CORD	1	
3	5611000	SHACKLE	1	
4	5613000	HANDLE	1	
5	K001538	GRINDER IMPELLER KIT	1	
6	5615000	CUTTER PLATE	1	
7	5616900	ROTARY CUTTER	1	
8	5617000	O-RING	1	
9	5618000	DOUBLE LIP SEAL	1	[1]
10	5632000	MOTOR PLATE	1	[1]
11	56350A0	KEY	1	
12	K001216	5619000, CORDPLATE	1	
13	K001445	ROTARY CUTTER SHIM KIT	1	
14	5633000	3/4" UNITIZED SHAFT SEAL	1	[1]
15	5060000	CORD PLATE GASKET	1	
16	5071000	BRASS OIL PLUG	1	
17	560000R	OMNIVORE HOUSING	1	
18	5646000	CAP SCREW, SHCS, 1/4-28 X 9/16" SS	14	
19	8064000	#8-32 x 5/8 HEX WASHER HEAD SCREW	4	
20	56360A0	FLANGED IMPELLER BOLT	1	
21	K001139	ROTARY CUTTER KIT	1	[2]
22	K001228	RUN CAPACITOR	1	
23	K001227	START CAPACITOR	1	
24	K001229	START SWITCH	1	

PART NOTES:

- [1] - Part requires factory authorized service. Contact Liberty Pumps at 1-800-543-2550
- [2] - ForLSG GrinderCutter Replacment Instructions see LSG Grinder Cutter Replacement

LSG202M (B48)



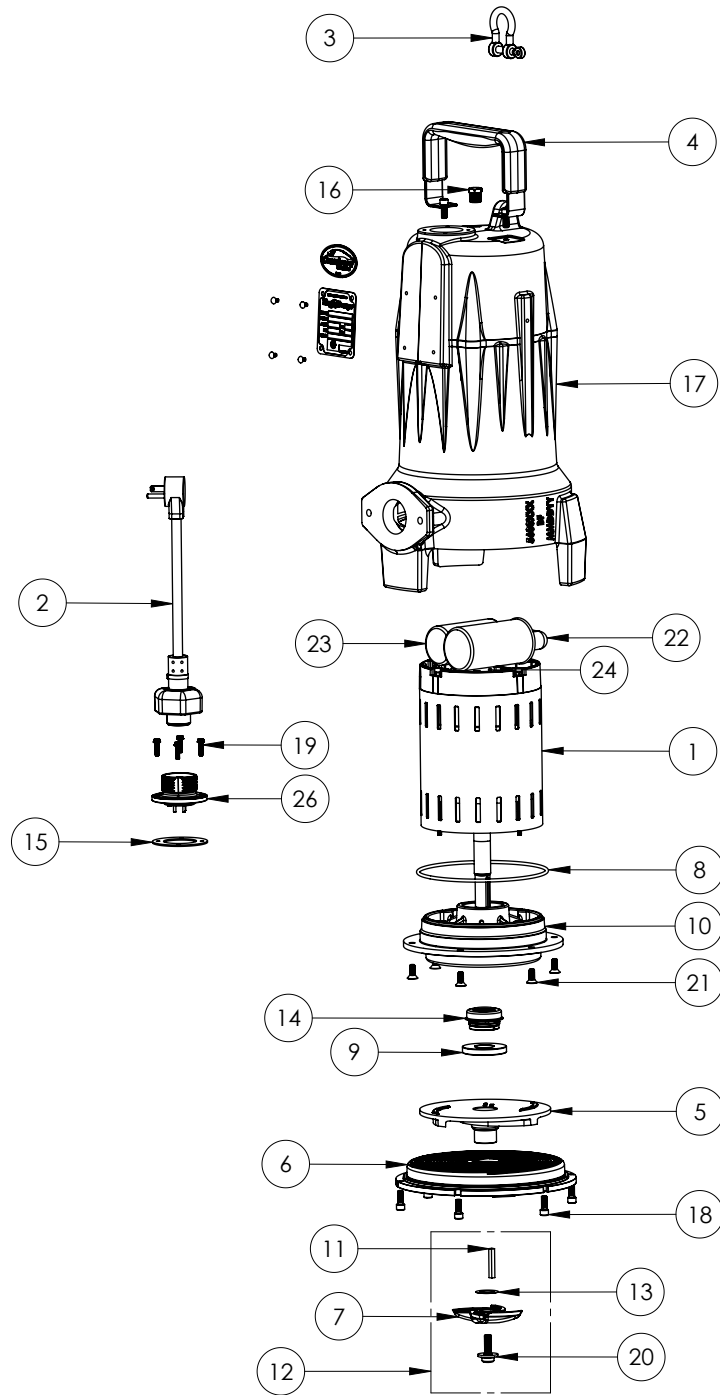
LSG202M**LSG202M (B48)**

#	PART #	DESCRIPTION	QTY	Note
1	5601000	MOTOR	1	[1]
2	K001140	POWER CORD	1	
3	5611000	SHACKLE	1	
4	5613000	HANDLE	1	
5	K001538	GRINDER IMPELLER KIT	1	
6	5615000	CUTTER PLATE	1	
7	5616900	ROTARY CUTTER	1	
8	5617000	O-RING	1	
9	5618000	DOUBLE LIP SEAL	1	[1]
10	5632000	MOTOR PLATE	1	[1]
11	56350A0	KEY	1	
12	K001139	ROTARY CUTTER KIT	1	[2]
13	K001445	ROTARY CUTTER SHIM KIT	1	
14	5633000	3/4" UNITIZED SHAFT SEAL	1	[1]
15	5060000	CORD PLATE GASKET	1	
16	5071000	BRASS OIL PLUG	1	
17	560000R	OMNIVORE HOUSING	1	
18	8103000	SCREW 1/4-20x5/8" HX SKT SS	14	
19	8064000	#8-32 x 5/8 HEX WASHER HEAD SCREW	4	
20	56360A0	FLANGED IMPELLER BOLT	1	
21	K001228	RUN CAPACITOR	1	
22	K001227	START CAPACITOR	1	
23	K001229	START SWITCH	1	

PART NOTES:

- [1] - Part requires factory authorized service. Contact Liberty Pumps at 1-800-543-2550
- [2] - ForLSG GrinderCutter Replacment Instructions see LSG Grinder Cutter Replacement

LSG202M (B52)



LSG202M

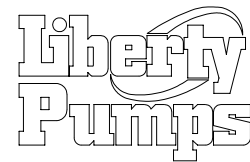
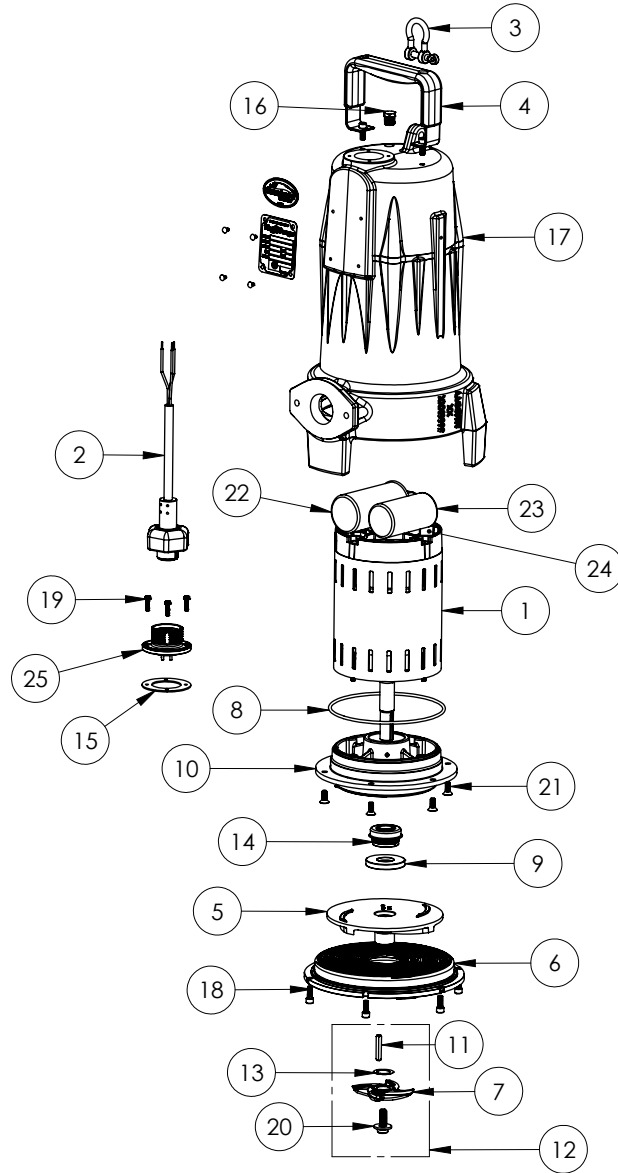
LSG202M (B52)

#	PART #	DESCRIPTION	QTY	Note
1	5601000	MOTOR	1	[1]
2	K001140	POWER CORD	1	
3	5611000	SHACKLE	1	
4	5613000	HANDLE	1	
5	K001538	GRINDER IMPELLER KIT	1	
6	K001395	CUTTER PLATE	1	
7	5616900	ROTARY CUTTER	1	
8	5617000	O-RING	1	
9	5618000	DOUBLE LIP SEAL	1	[1]
10	5632000	MOTOR PLATE	1	[1]
11	56350A0	KEY	1	
12	K001139	ROTARY CUTTER KIT	1	[2]
13	K001445	ROTARY CUTTER SHIM KIT	1	
14	5633000	3/4" UNITIZED SHAFT SEAL	1	[1]
15	5060000	CORD PLATE GASKET	1	
16	50710A0	PIPE PLUG, 1/4" HEX HD BRASS NPTF	1	
17	560000R	OMNIVORE HOUSING	1	
18	8103000	SCREW 1/4-20x5/8" HX SKT SS	8	
19	8064000	#8-32 x 5/8 HEX WASHER HEAD SCREW	4	
20	56360A0	FLANGED IMPELLER BOLT	1	
21	8018000	1/4-20 x 5/8 SLOTTED FLAT HEAD BOLT	6	
22	K001228	RUN CAPACITOR	1	
23	K001227	START CAPACITOR	1	
24	K001229	START SWITCH	1	
26	K001216	5619000, CORDPLATE	1	

PART NOTES:

- [1] - Part requires factory authorized service. Contact Liberty Pumps at 1-800-543-2550
- [2] - ForLSG GrinderCutter Replacment Instructions see LSG Grinder Cutter Replacement

LSG202M-3 (B52)



LSG202M-3

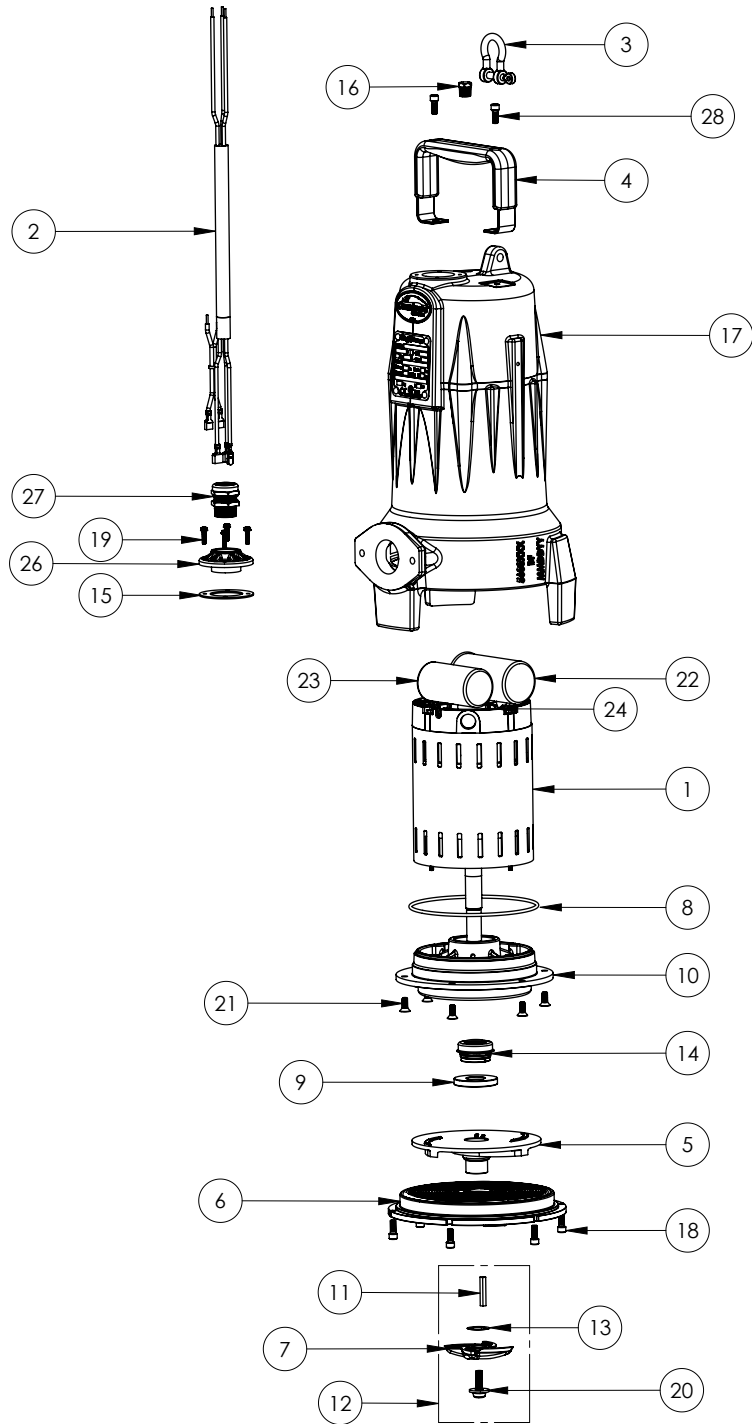
LSG202M-3 (B52)

#	PART #	DESCRIPTION	QTY	Note
1	5601000	MOTOR	1	[1]
2	K001339	35' POWER CORD KIT	1	
3	5611000	SHACKLE	1	
4	5613000	HANDLE	1	
5	K001538	GRINDER IMPELLER KIT	1	
6	K001395	CUTTER PLATE	1	
7	5616900	ROTARY CUTTER	1	
8	5617000	O-RING	1	
9	5618000	DOUBLE LIP SEAL	1	[1]
10	5632000	MOTOR PLATE	1	[1]
11	56350A0	KEY	1	
12	K001139	ROTARY CUTTER KIT	1	[2]
13	K001445	ROTARY CUTTER SHIM KIT	1	
14	5633000	3/4" UNITIZED SHAFT SEAL	1	[1]
15	5060000	CORD PLATE GASKET	1	
16	50710A0	PIPE PLUG, 1/4" HEX HD BRASS NPTF	1	
17	560000R	OMNIVORE HOUSING	1	
18	8103000	SCREW 1/4-20x5/8" HX SKT SS	8	
19	8064000	#8-32 x 5/8 HEX WASHER HEAD SCREW	4	
20	56360A0	FLANGED IMPELLER BOLT	1	
21	8018000	1/4-20 x 5/8 SLOTTED FLAT HEAD BOLT	6	
22	K001228	RUN CAPACITOR	1	
23	K001227	START CAPACITOR	1	
24	K001229	START SWITCH	1	
25	K001216	5619000, CORDPLATE	1	

PART NOTES:

- [1] - Part requires factory authorized service. Contact Liberty Pumps at 1-800-543-2550
- [2] - ForLSG GrinderCutter Replacment Instructions see LSG Grinder Cutter Replacement

LSG202M-3E (B84)



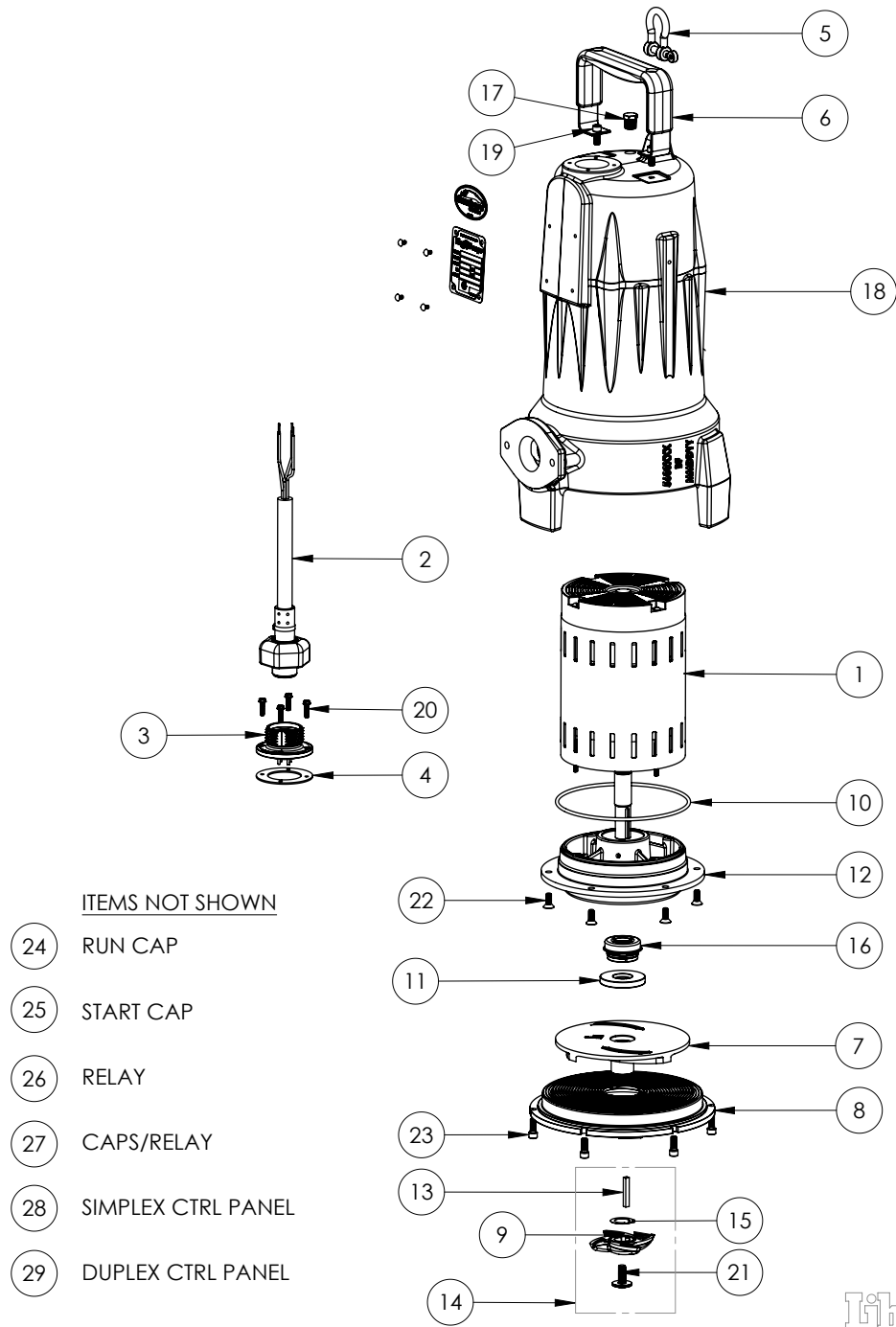
LSG202M-3E (B84)

#	PART #	DESCRIPTION	QTY	Note
1	5788000	MOTOR 2HP, 220/230V 1PH 50HZ	1	[1]
2	K001418	IEC SINGLE PHASE 10M CORD KIT	1	
3	5611000	SHACKLE	1	
4	5613000	HANDLE	1	
5	K001538	GRINDER IMPELLER KIT	1	
6	K001395	CUTTER PLATE	1	
7	5616900	ROTARY CUTTER	1	
8	5617000	O-RING	1	
9	5618000	DOUBLE LIP SEAL	1	[1]
10	5632000	MOTOR PLATE	1	[1]
11	56350A0	KEY	1	
12	K001139	ROTARY CUTTER KIT	1	[2]
13	K001445	ROTARY CUTTER SHIM KIT	1	
14	5633000	3/4" UNITIZED SHAFT SEAL	1	[1]
15	5060000	CORD PLATE GASKET	1	
16	50710A0	PIPE PLUG, 1/4" HEX HD BRASS NPTF	1	
17	560000R	OMNIVORE HOUSING	1	
18	8103000	SCREW 1/4-20x5/8" HX SKT SS	8	
19	8064000	#8-32 x 5/8 HEX WASHER HEAD SCREW	4	
20	56360A0	FLANGED IMPELLER BOLT	1	
21	8018000	1/4-20 x 5/8 SLOTTED FLAT HEAD BOLT	6	
22	K001228	RUN CAPACITOR	1	
23	K001227	START CAPACITOR	1	
24	K001229	START SWITCH	1	
26	57890AR	PAINTED 3/4 NPT, CE CORD PLATE	1	
27	5790000	STRAIN RELIEF, 3/4 NPT STAINLESS, IEC	1	
28	8103000	SCREW 1/4-20x5/8" HX SKT SS	2	

PART NOTES:

- [1] - Part requires factory authorized service. Contact Liberty Pumps at 1-800-543-2550
- [2] - ForLSG GrinderCutter Replacment Instructions see LSG Grinder Cutter Replacement

LSG202M-C (B52)



LSG202M-C

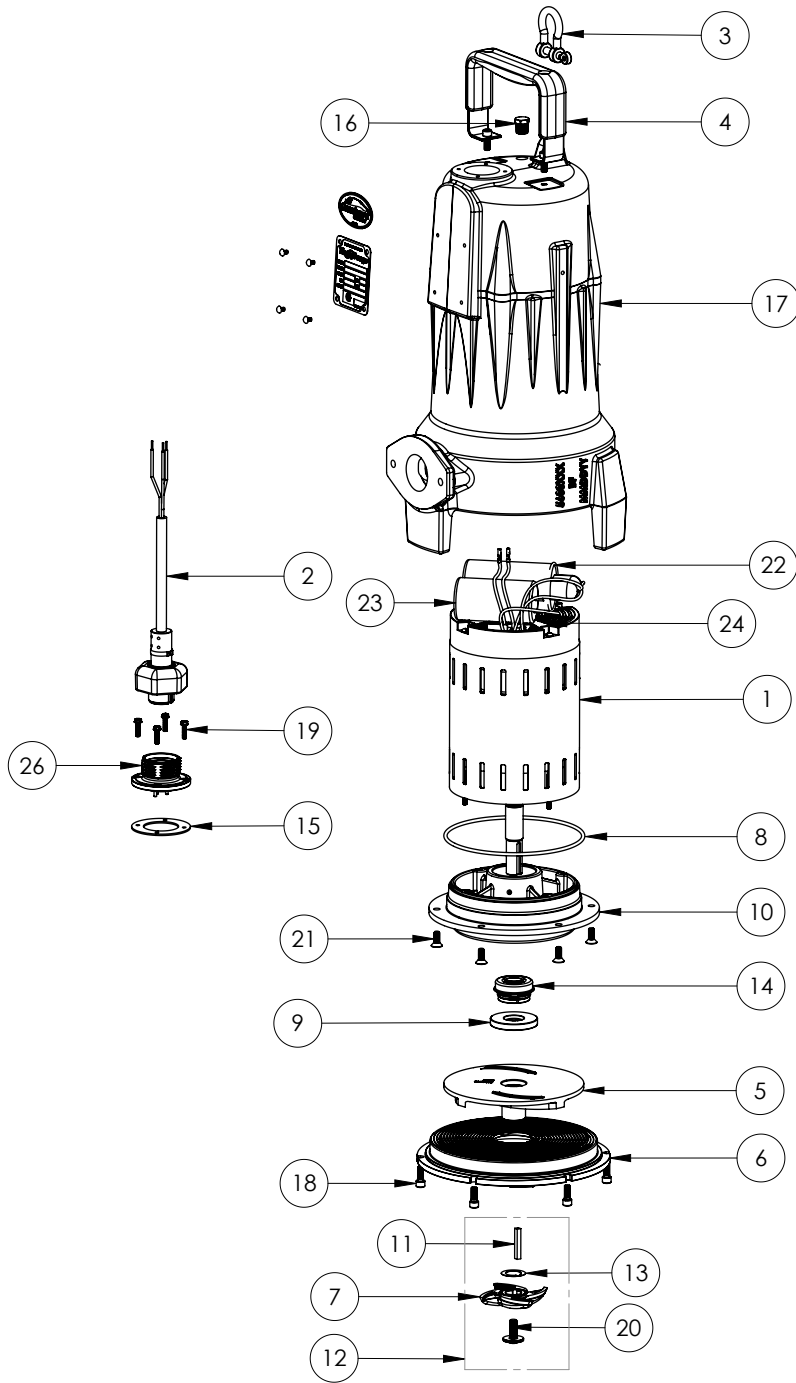
LSG202M-C (B52)

#	PART #	DESCRIPTION	QTY	Note
1	5740000	MOTOR	1	[1]
2	K001358	POWER CORD, 35FT	1	
3	5629000	GRINDER CORDPLATE	1	
4	5060000	CORD PLATE GASKET	1	
5	5611000	SHACKLE	1	
6	5613000	HANDLE	1	
7	K001538	GRINDER IMPELLER KIT	1	
8	K001395	CUTTER PLATE	1	
9	5616900	ROTARY CUTTER	1	
10	5617000	O-RING	1	
11	5618000	DOUBLE LIP SEAL	1	[1]
12	5632000	MOTOR PLATE	1	[1]
13	56350A0	KEY	1	
14	K001139	ROTARY CUTTER KIT	1	[2]
15	K001445	ROTARY CUTTER SHIM KIT	1	
16	5633000	3/4" UNITIZED SHAFT SEAL	1	[1]
17	50710A0	PIPE PLUG, 1/4" HEX HD BRASS NPTF	1	
18	560000R	OMNIVORE HOUSING	1	
19	8103000	SCREW 1/4-20x5/8" HX SKT SS	8	
20	8064000	#8-32 x 5/8 HEX WASHER HEAD SCREW	4	
21	56360A0	FLANGED IMPELLER BOLT	1	
22	8018000	1/4-20 x 5/8 SLOTTED FLAT HEAD BOLT	6	
23	8103000	SCREW 1/4-20x5/8" HX SKT SS	8	
24	K001228	RUN CAPACITOR	1	
25	K001227	START CAPACITOR	1	
26	K001315	RELAY	1	
27	K001316	CAPS / RELAY	1	
28	SXHC24=3	SIMPLEX CONTROL PANEL	1	
29	AE24HC=3	DUPLEX CONTROL PANEL	1	

PART NOTES:

- [1] - Part requires factory authorized service. Contact Liberty Pumps at 1-800-543-2550
- [2] - ForLSG GrinderCutter Replacment Instructions see LSG Grinder Cutter Replacement

LSG202MK (B52)



LSG202MK

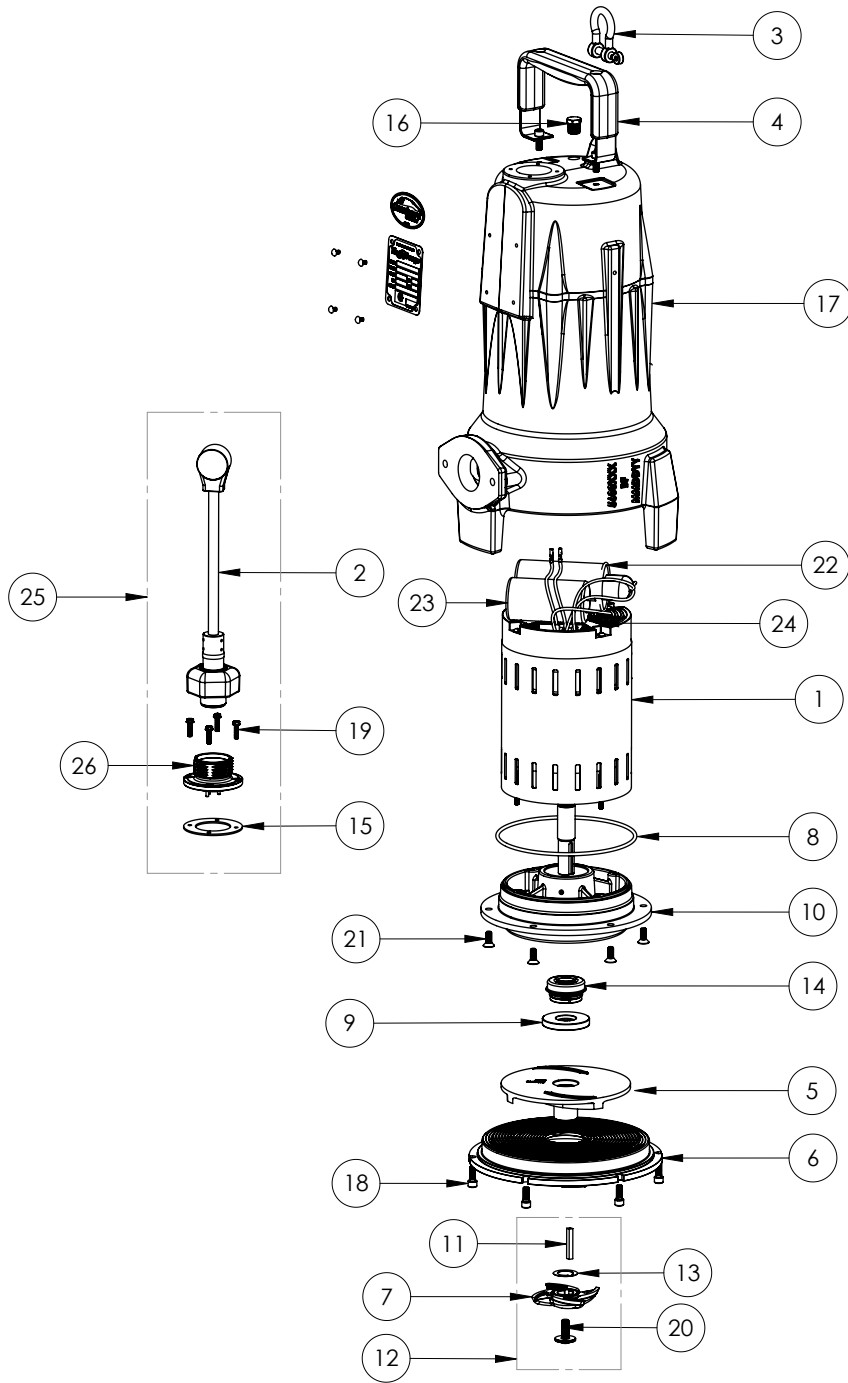
LSG202MK (B52)

#	PART #	DESCRIPTION	QTY	Note
1	5601000	MOTOR	1	[1]
2	K001225	POWER CORD KIT	1	
3	5611000	SHACKLE	1	
4	5613000	HANDLE	1	
5	K001538	GRINDER IMPELLER KIT	1	
6	K001395	CUTTER PLATE	1	
7	5616900	ROTARY CUTTER	1	
8	5617000	O-RING	1	
9	5618000	DOUBLE LIP SEAL	1	[1]
10	5632000	MOTOR PLATE	1	[1]
11	56350A0	KEY	1	
12	K001139	ROTARY CUTTER KIT	1	[2]
13	K001445	ROTARY CUTTER SHIM KIT	1	
14	5633000	3/4" UNITIZED SHAFT SEAL	1	[1]
15	5060000	CORD PLATE GASKET	1	
16	50710A0	PIPE PLUG, 1/4" HEX HD BRASS NPTF	1	
17	560000R	OMNIVORE HOUSING	1	
18	8103000	SCREW 1/4-20x5/8" HX SKT SS	1	
19	8064000	#8-32 x 5/8 HEX WASHER HEAD SCREW	4	
20	56360A0	FLANGED IMPELLER BOLT	1	
21	8018000	1/4-20 x 5/8 SLOTTED FLAT HEAD BOLT	6	
22	K001228	RUN CAPACITOR	1	
23	K001227	START CAPACITOR	1	
24	K001229	START SWITCH	1	
26	K001216	5619000, CORDPLATE	1	

PART NOTES:

- [1] - Part requires factory authorized service. Contact Liberty Pumps at 1-800-543-2550
- [2] - ForLSG GrinderCutter Replacment Instructions see LSG Grinder Cutter Replacement

LSG202MLC (B52)



LSG202MLC

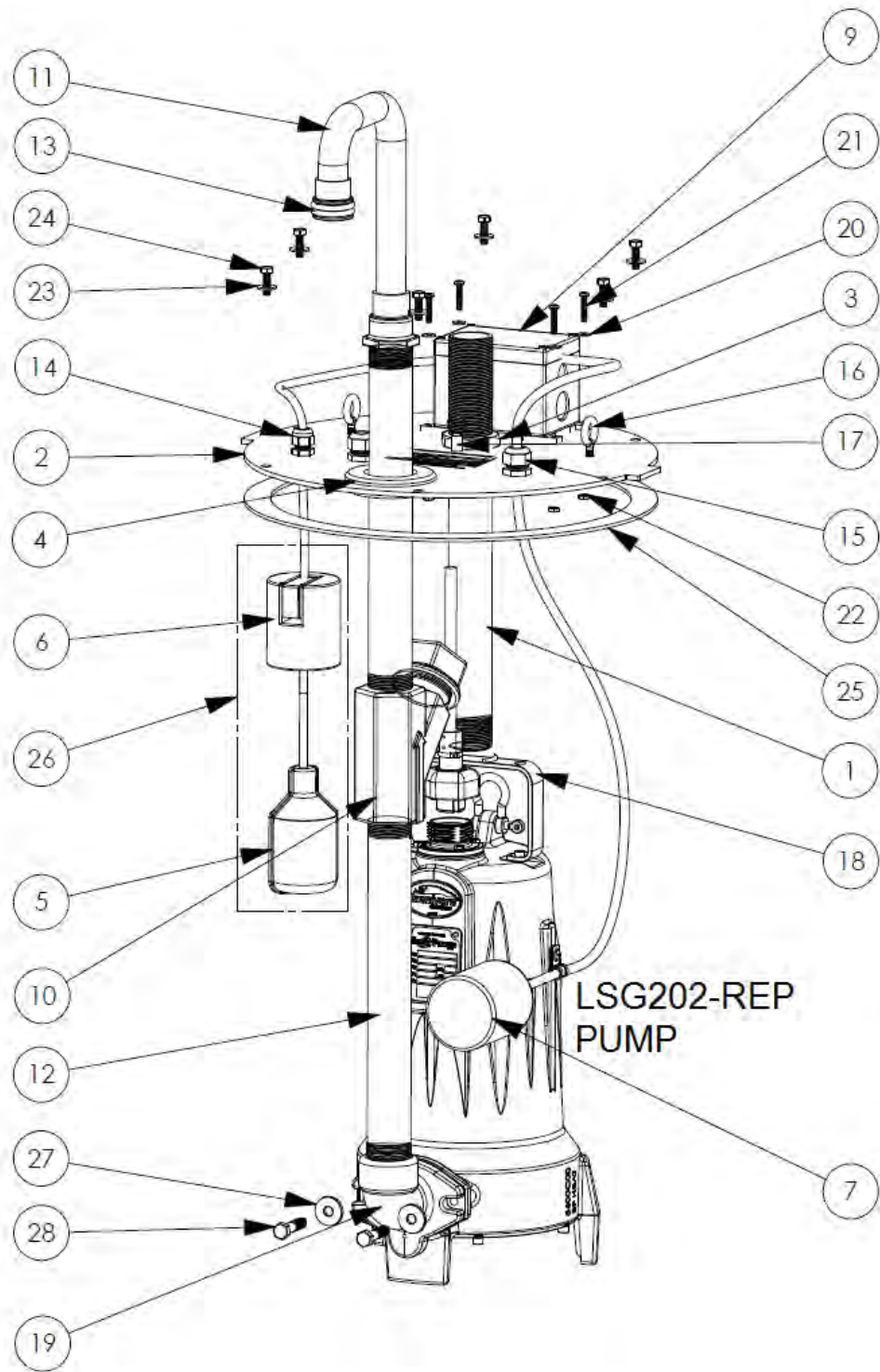
LSG202MLC (B52)

#	PART #	DESCRIPTION	QTY	Note
1	5601000	MOTOR	1	[1]
2	K001140	POWER CORD	1	
3	5611000	SHACKLE	1	
4	5613000	HANDLE	1	
5	56140A0	5.5 OMNIVORE IMPELLER	1	
6	5615000	CUTTER PLATE	1	
7	5616900	ROTARY CUTTER	1	
8	5617000	O-RING	1	
9	5618000	DOUBLE LIP SEAL	1	[1]
10	5632000	MOTOR PLATE	1	[1]
11	56350A0	KEY	1	
12	K001139	ROTARY CUTTER KIT	1	[2]
13	K001445	ROTARY CUTTER SHIM KIT	1	
14	5633000	3/4" UNITIZED SHAFT SEAL	1	[1]
15	5060000	CORD PLATE GASKET	1	
16	50710A0	PIPE PLUG, 1/4" HEX HD BRASS NPTF	1	
17	560000R	OMNIVORE HOUSING	1	
18	8103000	SCREW 1/4-20x5/8" HX SKT SS	8	
19	8064000	#8-32 x 5/8 HEX WASHER HEAD SCREW	4	
20	56360A0	FLANGED IMPELLER BOLT	1	
21	8018000	1/4-20 x 5/8 SLOTTED FLAT HEAD BOLT	6	
22	K001228	RUN CAPACITOR	1	
23	K001227	START CAPACITOR	1	
24	K001229	START SWITCH	1	
25	K001396	GRINDER POWER CORD ASSEMBLY	1	
26	K001216	5619000, CORDPLATE	1	

PART NOTES:

- [1] - Part requires factory authorized service. Contact Liberty Pumps at 1-800-543-2550
- [2] - ForLSG GrinderCutter Replacment Instructions see LSG Grinder Cutter Replacement

LSG202-RE (B10)



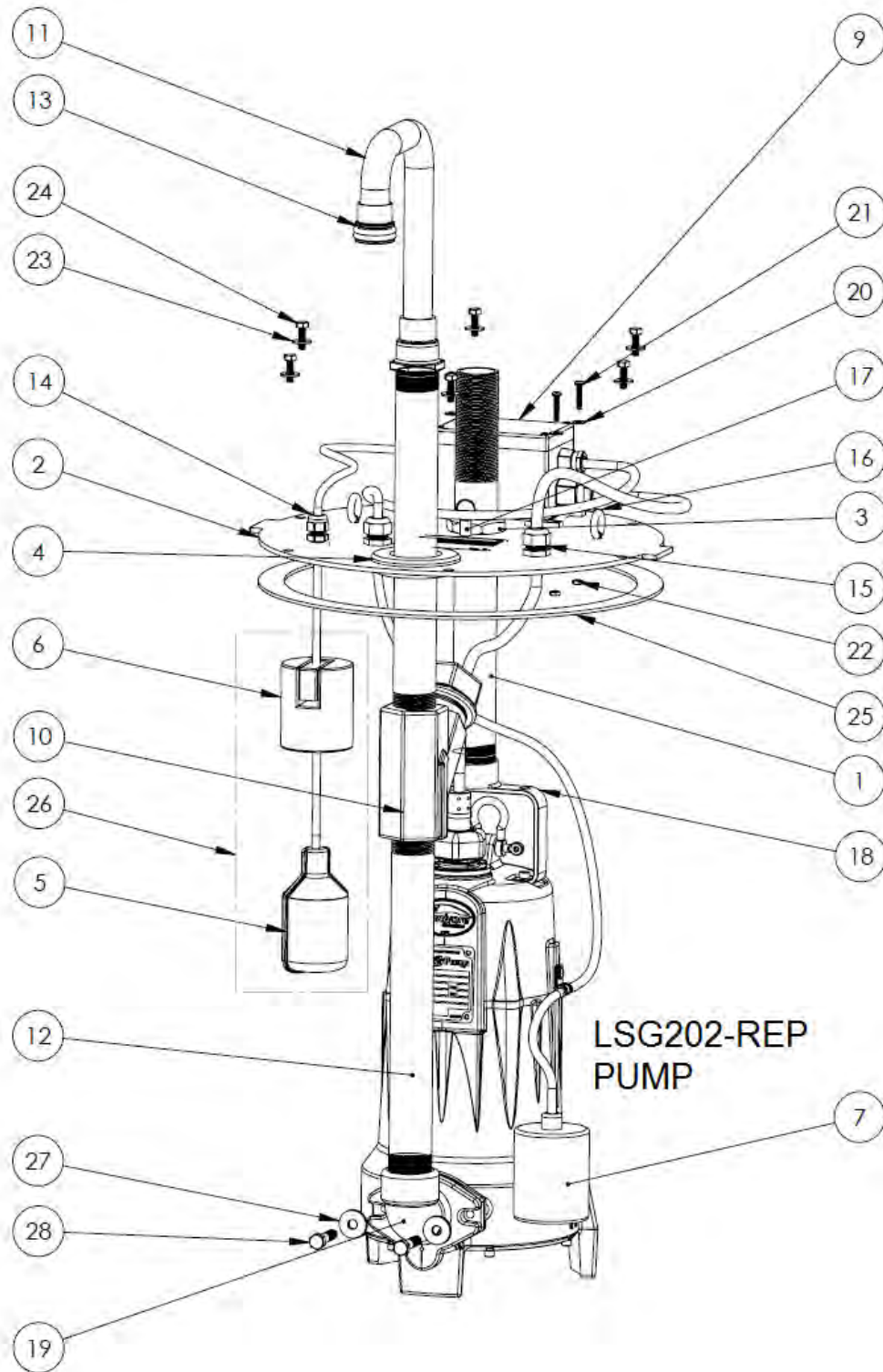
LSG202-RE (B10)

#	PART #	DESCRIPTION	QTY	Note
1	5669000	1-1/4" PIPE HANGER, STRAIGHT THREADS	1	
2	5661000	COVER	1	
3	5670000	1-1/4" GALVANIZED PIPE NUT	2	
4	4760000	1-1/4" PIPE SEAL GROMMET	1	[1]
5	K001134	FLOAT SWITCH, 20FT CORD, INCLUDES 1 SWITCH PER KIT	1	
6	K001388	CABLE WEIGHT	1	
7	K001136	SWITCH KIT	1	
9	5663000	JUNCTION BOX	1	
10	5659000	CHECK VALVE, 1-1/4" NPT	1	
11	5656000	CUSTOM COPPER ELBOW	1	
12	5671000	DISCHARGE PIPE, 1-1/4", GALVANIZED	2	
13	5666000	O-RING	2	[1]
14	4785000	CORD GRIP SIZE 09	1	
15	RCC8	SM WATERTIGHT CABLE GRIP	2	
16	5673000	EYEBOLT	2	
17	5662000	QUICK RELEASE PIN	1	
18	56740A0	PUMP HANDLE / HANGER	1	
19	G90	FLANGED ELBOW KIT, INCLUDES GASKET, SCREWS AND WASHER	1	
20	8141000	WASHER, #10 X 1/2 SS	5	
21	8059000	SCREW 10 - 24 x 1 PHILLIPS HEAD	4	
22	8002000	#10-24 STAINLESS STEEL HEX	4	
23	8131000	1/4x3/4" STAINLESS STEEL FLAT WASHER	6	
24	8024000	1/4-20x7/8" HEX HEAD SS BOLT	6	
25	4039RB0	GASKET TAPE 1/4" THICK, 56"	1	
26	K001135	ALARM SWITCH WITH CABLE WEIGHT	1	
27	8158000	WASHER, 3/8 x 1-1/8, SS	1	
28	8143000	SCREW, 3/8-16 x 1-3/4 LG, SS	1	

PART NOTES:

[1] - Part requires factory authorized service. Contact Liberty Pumps at 1-800-543-2550

LSG202-RE (B48)



LSG202-RE

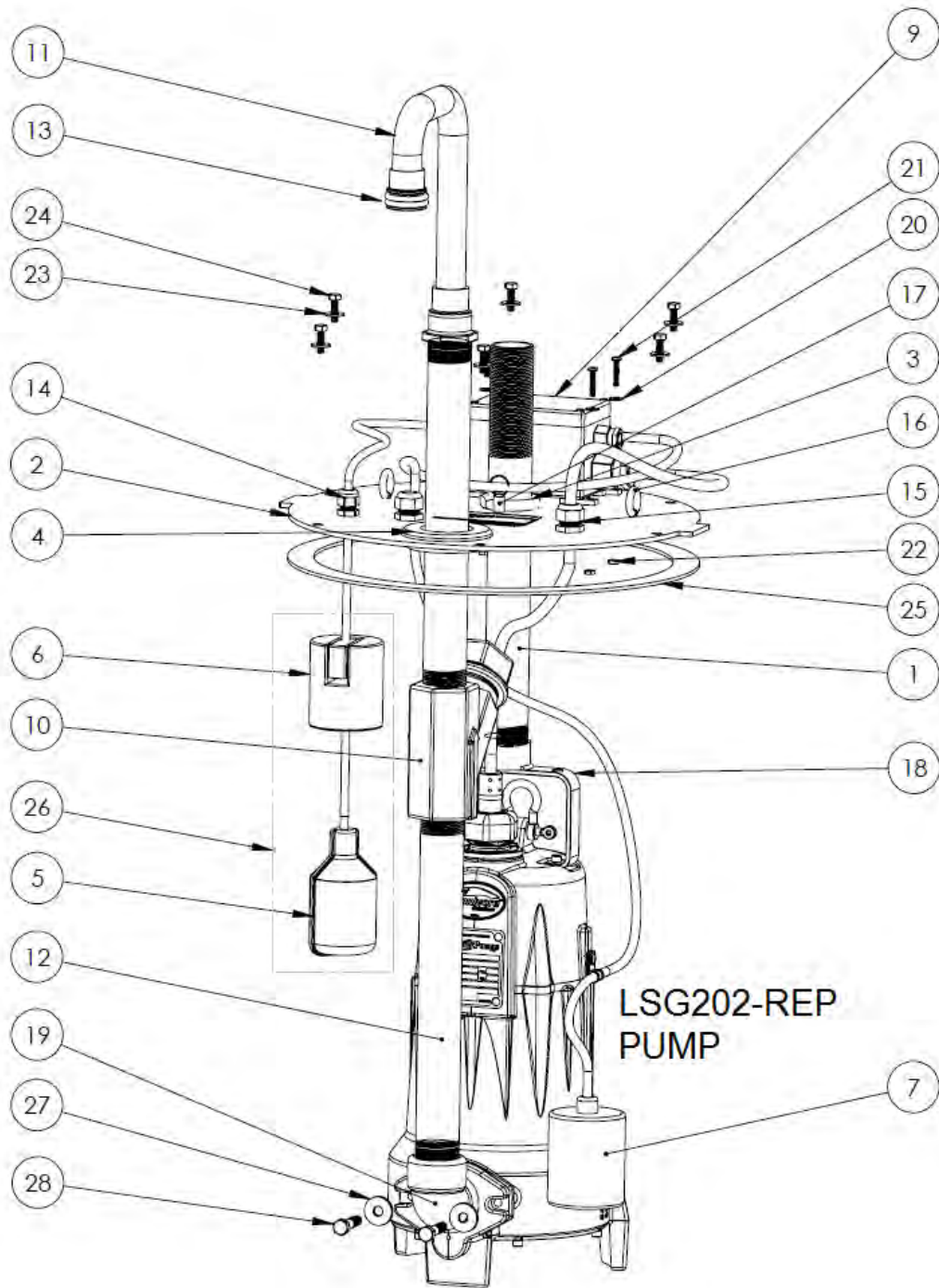
LSG202-RE (B48)

#	PART #	DESCRIPTION	QTY	Note
1	5669000	1-1/4" PIPE HANGER, STRAIGHT THREADS	1	
2	5661000	COVER	1	
3	5670000	1-1/4" GALVANIZED PIPE NUT	2	
4	4760000	1-1/4" PIPE SEAL GROMMET	1	[1]
5	K001134	FLOAT SWITCH, 20FT CORD, INCLUDES 1 SWITCH PER KIT	1	
6	K001388	CABLE WEIGHT	1	
7	K001136	SWITCH KIT	1	
9	5663000	JUNCTION BOX	1	
10	ACV125	1.25" ANTI-SIPHON VALVE	1	
11	5656000	CUSTOM COPPER ELBOW	1	
12	5671000	DISCHARGE PIPE, 1-1/4", GALVANIZED	2	
13	5666000	O-RING	2	[1]
14	4785000	CORD GRIP SIZE 09	1	
15	RCC8	SM WATERTIGHT CABLE GRIP	2	
16	5673000	EYEBOLT	2	
17	5662000	QUICK RELEASE PIN	1	
18	56740A0	PUMP HANDLE / HANGER	1	
19	G90	FLANGED ELBOW KIT, INCLUDES GASKET, SCREWS AND WASHER	1	
20	8141000	WASHER, #10 X 1/2 SS	5	
21	8059000	SCREW 10 - 24 x 1 PHILLIPS HEAD	4	
22	8002000	#10-24 STAINLESS STEEL HEX	4	
23	8131000	1/4x3/4" STAINLESS STEEL FLAT WASHER	6	
24	8024000	1/4-20x7/8" HEX HEAD SS BOLT	6	
25	4039RB0	GASKET TAPE 1/4" THICK, 56"	1	
26	K001135	ALARM SWITCH WITH CABLE WEIGHT	1	
27	8158000	WASHER, 3/8 x 1-1/8, SS	1	
28	8143000	SCREW, 3/8-16 x 1-3/4 LG, SS	1	

PART NOTES:

[1] - Part requires factory authorized service. Contact Liberty Pumps at 1-800-543-2550

LSG202-RE (B52)



LSG202-RE

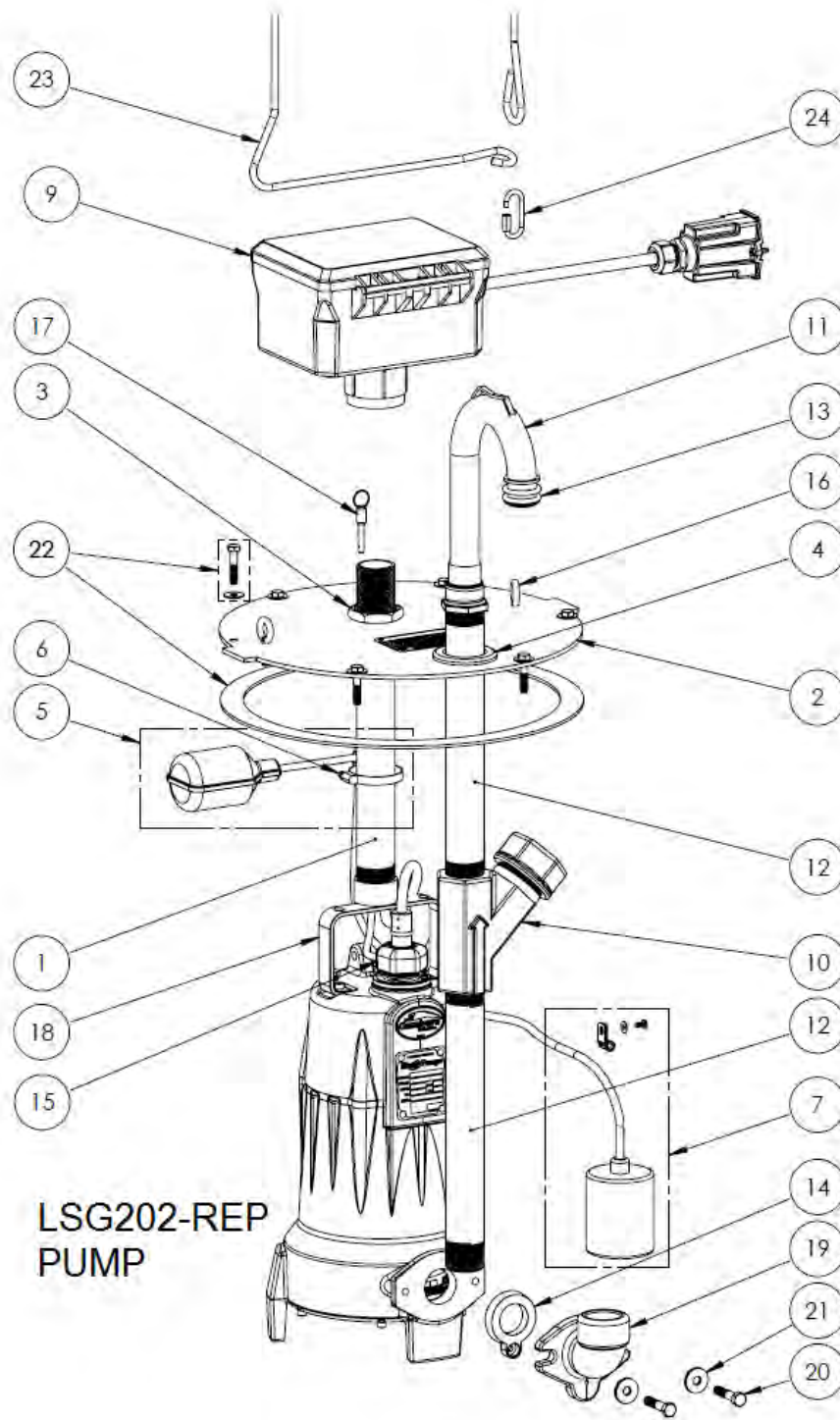
LSG202-RE (B52)

#	PART #	DESCRIPTION	QTY	Note
1	5669000	1-1/4" PIPE HANGER, STRAIGHT THREADS	1	
2	5661000	COVER	1	
3	5670000	1-1/4" GALVANIZED PIPE NUT	2	
4	4760000	1-1/4" PIPE SEAL GROMMET	1	[1]
5	K001134	FLOAT SWITCH, 20FT CORD, INCLUDES 1 SWITCH PER KIT	1	
6	K001388	CABLE WEIGHT	1	
7	K001136	SWITCH KIT	1	
9	5663000	JUNCTION BOX	1	
10	ACV125	1.25" ANTI-SIPHON VALVE	1	
11	5656000	CUSTOM COPPER ELBOW	1	
12	5671000	DISCHARGE PIPE, 1-1/4", GALVANIZED	2	
13	5666000	O-RING	2	[1]
14	4785000	CORD GRIP SIZE 09	1	
15	RCC8	SM WATERTIGHT CABLE GRIP	2	
16	5673000	EYEBOLT	2	
17	5662000	QUICK RELEASE PIN	1	
18	56740A0	PUMP HANDLE / HANGER	1	
19	G90	FLANGED ELBOW KIT, INCLUDES GASKET, SCREWS AND WASHER	1	
20	8141000	WASHER, #10 X 1/2 SS	5	
21	8059000	SCREW 10 - 24 x 1 PHILLIPS HEAD	4	
22	8002000	#10-24 STAINLESS STEEL HEX	4	
23	8131000	1/4x3/4" STAINLESS STEEL FLAT WASHER	6	
24	8024000	1/4-20x7/8" HEX HEAD SS BOLT	6	
25	4039RB0	GASKET TAPE 1/4" THICK, 56"	1	
26	K001135	ALARM SWITCH WITH CABLE WEIGHT	1	
27	8158000	WASHER, 3/8 x 1-1/8, SS	2	
28	8143000	SCREW, 3/8-16 x 1-3/4 LG, SS	2	

PART NOTES:

[1] - Part requires factory authorized service. Contact Liberty Pumps at 1-800-543-2550

LSG202-RE (B53)



LSG202-RE

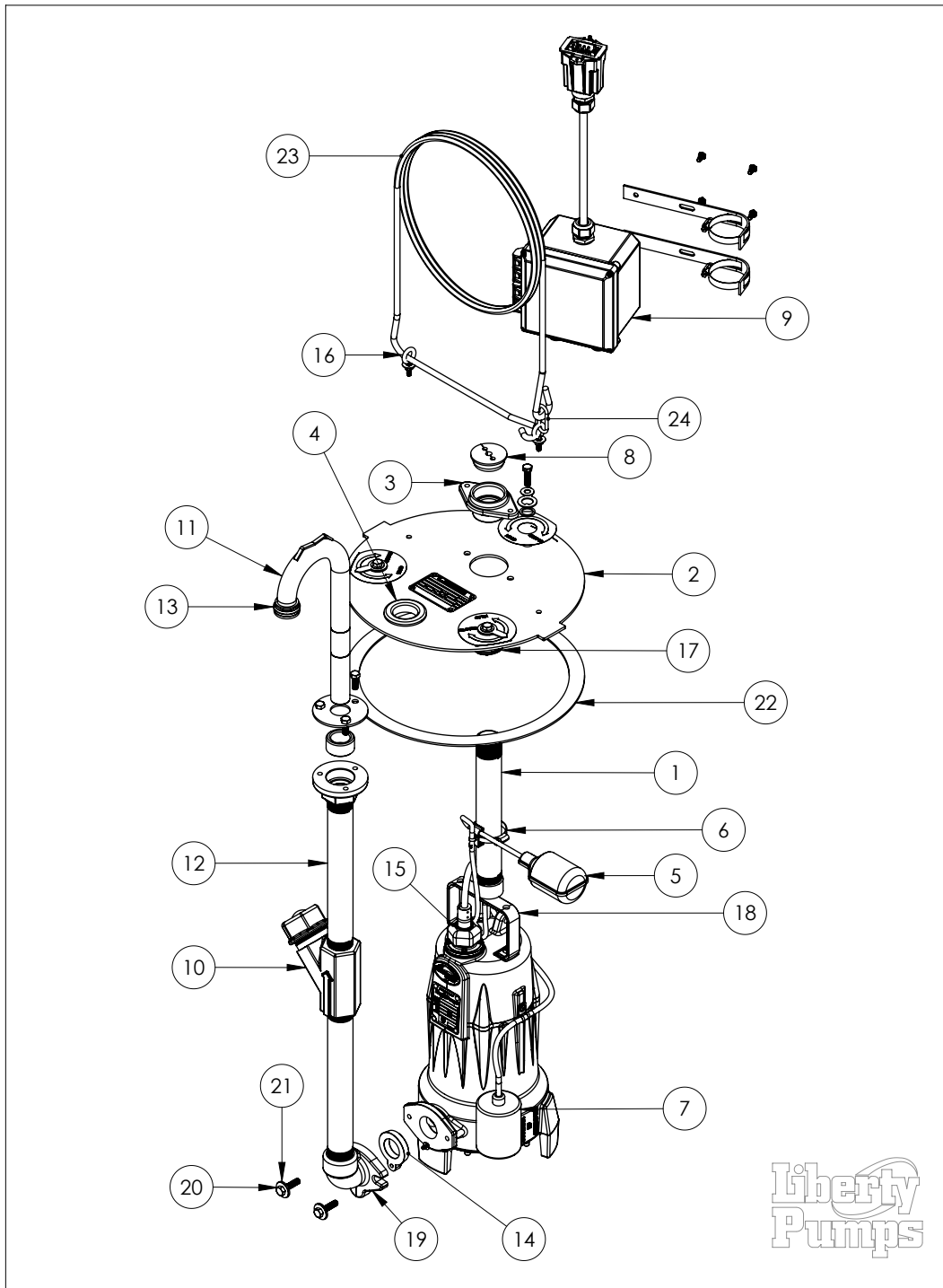
LSG202-RE (B53)

#	PART #	DESCRIPTION	QTY	Note
1	5669000	1-1/4" PIPE HANGER, STRAIGHT THREADS	1	
2	5661000	COVER	1	
3	5670000	1-1/4" GALVANIZED PIPE NUT	2	
4	K001353	4766000 PIPE SEAL GROMMET, 1-1/4" PIPE	1	
5	K001301	ALARM SWITCH WITH CLAMP	1	
6	5870000	SWITCH CLAMP	1	
7	K001302	PUMP SWITCH INCLUDING HARDWARE	1	
9	K001244	ELECTRICAL ENCLOSURE	1	
10	ACV125	1.25" ANTI-SIPHON VALVE	1	
11	5738000	DISCHARGE ELBOW, STAINLESS STEEL	1	
12	56710A0	DISCHARGE PIPE, 1-1/4", STAINLESS STEEL	2	
13	5666000	O-RING	2	[1]
14	5644000	1-1/4" FLANGE SEAL GROMMET	1	
15	K001303	POWER CORD ASSY	1	
16	5673000	EYEBOLT	2	
17	5662000	QUICK RELEASE PIN	1	
18	56740A0	PUMP HANDLE / HANGER	1	
19	G90	FLANGED ELBOW KIT, INCLUDES GASKET, SCREWS AND WASHER	1	
20	8143000	SCREW, 3/8-16 x 1-3/4 LG, SS	2	
21	8158000	WASHER, 3/8 x 1-1/8, SS	2	
22	K001304	COVER GASKET INCLUDING HARDWARE	1	
23	5667000	14 FT BLACK ROPE, SPECIAL ENDS	1	
24	4755000	3/16" QUICK LINK, STAINLESS STEEL	1	

PART NOTES:

[1] - Part requires factory authorized service. Contact Liberty Pumps at 1-800-543-2550

LSG202-RE (B73)



LSG202-RE

LSG202-RE (B73)

#	PART #	DESCRIPTION	QTY	Note
1	8552000	1-1/4" PIPE HANGER	1	
2	8549000	COVER	1	
3	855100B	PIPE SUPPORT FLANGE	2	
4	K001353	4766000 PIPE SEAL GROMMET, 1-1/4" PIPE	1	
5	K001428	SWITCH KIT, 60050C0 12' RE CORD	1	
6	5870000	SWITCH CLAMP	1	
7	K001417	57370A0 SWITCH, 12' PIGTAIL	1	
8	45480C0	3 HOLE STOPPER	1	
9	85480A0	CONTROL BOX	1	
10	ACV125	1.25" ANTI-SIPHON VALVE	1	
11	8570000	DISCHARGE ELBOW, STAINLESS STEEL	1	[1]
12	K001500	DISCHARGE PIPE, 1-1/4", SS 13" LONG	2	
13	8571000	DISCHARGE SEAL	2	
14	5644000	1-1/4" FLANGE SEAL GROMMET	1	
15	56880B0	POWER CORD ASSEMBLY, 230V 1 PH	1	
16	5673000	EYEBOLT	2	
17	8560E00	CAM LOCK ASSEMBLY	1	
18	56740A0	PUMP HANDLE / HANGER	1	
19	565400R	FLANGED ELBOW	1	
20	8110000	3/8-16 x 1-1/2" STAINLESS STEEL HEXBOLT 3/8-16X1-1/2 316SS	2	
21	8158000	WASHER, 3/8 x 1-1/8, SS	2	
22	K001438	COVER GASKET KIT, 4071RB0	1	
23	5667000	14 FT BLACK ROPE, SPECIAL ENDS	1	
24	4755000	3/16" QUICK LINK, STAINLESS STEEL	1	

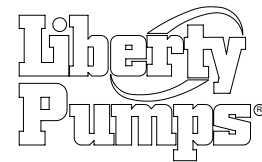
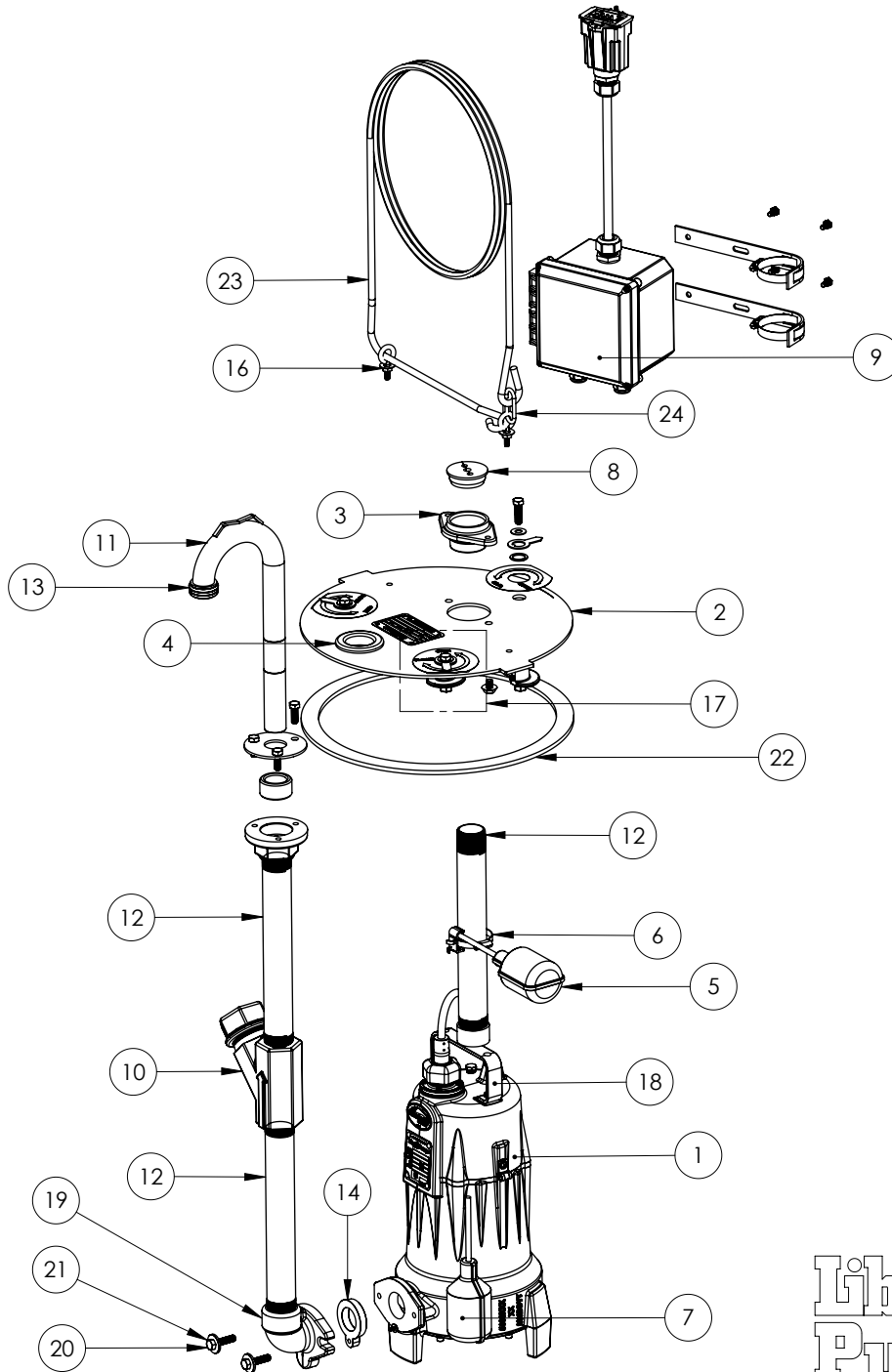
PART NOTES:

[1] - K001498: RE-DISCHARGE KIT

Includes:

\\k001498.jpg" align=left>

LSG202-RE (B91)



LSG202-RE

LSG202-RE (B91)

#	PART #	DESCRIPTION	QTY	Note
1	LSG202-REP	PUMP FOR LSG202-RE	1	
2	8549000	COVER	1	
3	855100B	PIPE SUPPORT FLANGE	2	
4	K001353	4766000 PIPE SEAL GROMMET, 1-1/4" PIPE	1	
5	K001428	SWITCH KIT, 60050C0 12' RE CORD	1	
6	5870000	SWITCH CLAMP	1	
7	K001532	KIT, WIDE ANGLE PILOT DUTY NO 12'	1	
8	45480C0	3 HOLE STOPPER	1	
9	K001550	KIT, RE ENCLOSURE (SQUARE) AND BRACKETS	1	
10	ACV125	1.25" ANTI-SIPHON VALVE	1	
11	8570000	DISCHARGE ELBOW, STAINLESS STEEL	1	[1]
12	K001500	DISCHARGE PIPE, 1-1/4", SS 13" LONG	2	
13	8571000	DISCHARGE SEAL	2	
14	5644000	1-1/4" FLANGE SEAL GROMMET	1	
15	56880B0	POWER CORD ASSEMBLY, 230V 1 PH	1	
16	5673000	EYEBOLT	2	
17	8560E00	CAM LOCK ASSEMBLY	1	
18	56740A0	PUMP HANDLE / HANGER	1	
19	565400R	FLANGED ELBOW	1	
20	8110000	3/8-16 x 1-1/2" STAINLESS STEEL HEXBOLT 3/8-16X1-1/2 316SS	2	
21	8158000	WASHER, 3/8 x 1-1/8, SS	2	
22	K001438	COVER GASKET KIT, 4071RB0	1	
23	56670A0	ROPE 5/8 HOLLOW BRADE	1	
24	4755000	3/16" QUICK LINK, STAINLESS STEEL	1	

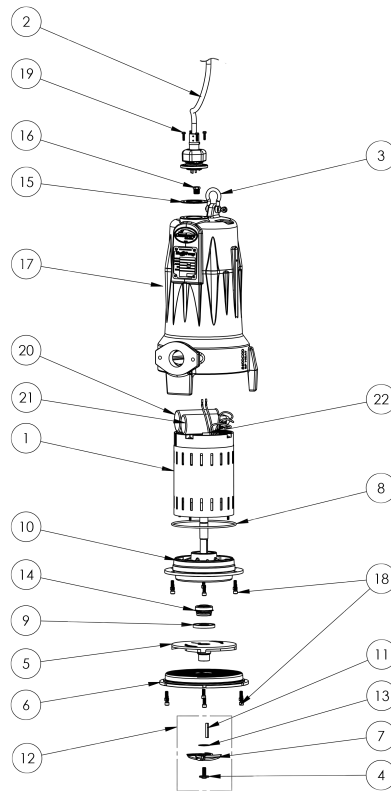
PART NOTES:

[1] - K001498: RE-DISCHARGE KIT

Includes:

\\k001498.jpg" align=left>

LSG202-REP (B48)



LSG202-REP

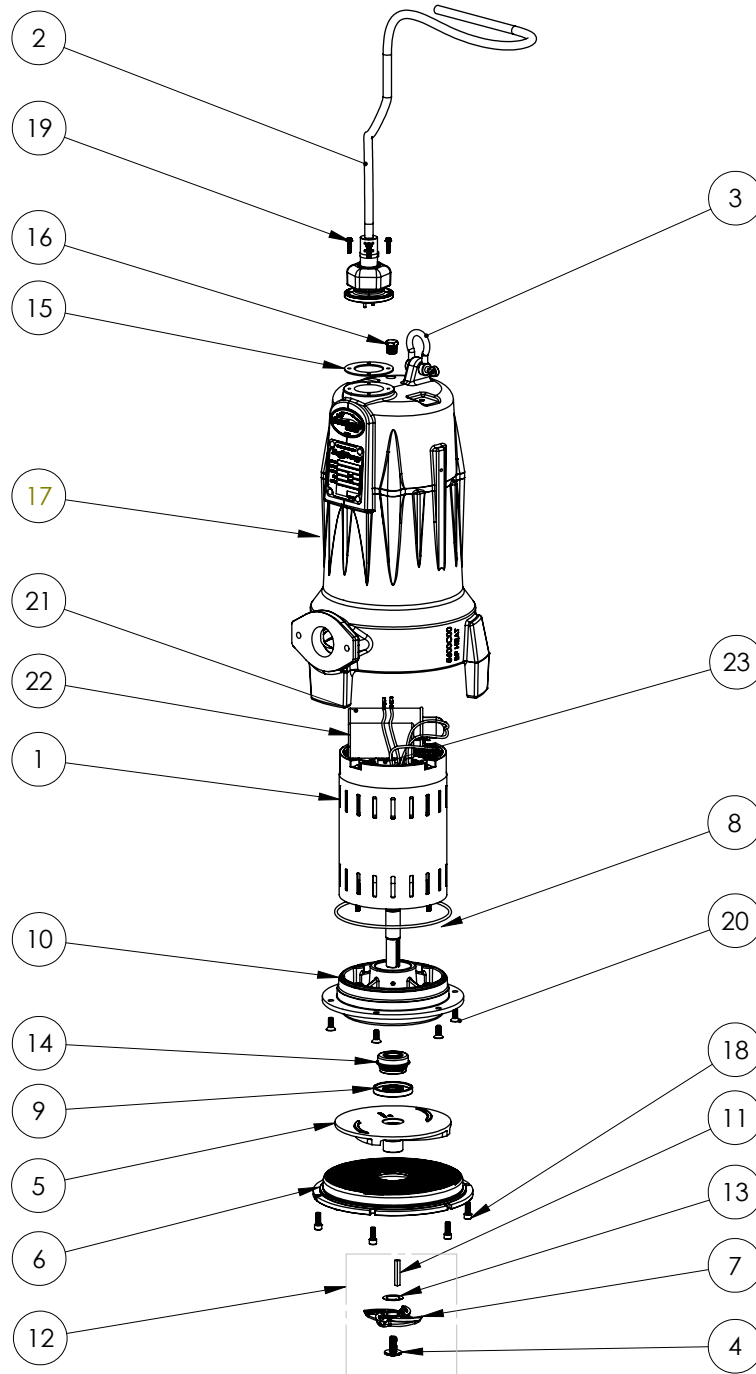
LSG202-REP (B48)

#	PART #	DESCRIPTION	QTY	Note
1	5601000	MOTOR	1	[1]
2	K001303	POWER CORD ASSY	1	
3	5611000	SHACKLE	1	
4	56360A0	FLANGED IMPELLER BOLT	1	
5	K001538	GRINDER IMPELLER KIT	1	
6	5615000	CUTTER PLATE	1	
7	5616900	ROTARY CUTTER	1	
8	5617000	O-RING	1	
9	5618000	DOUBLE LIP SEAL	1	[1]
10	5632000	MOTOR PLATE	1	[1]
11	56350A0	KEY	1	
12	K001139	ROTARY CUTTER KIT	1	[2]
13	K001445	ROTARY CUTTER SHIM KIT	1	
14	5633000	3/4" UNITIZED SHAFT SEAL	1	[1]
15	5060000	CORD PLATE GASKET	1	
16	5071000	BRASS OIL PLUG	1	
17	560000R	OMNIVORE HOUSINGP/N - 5600000 - LSG200 HOUSING	1	
18	8103000	SCREW 1/4-20x5/8" HX SKT SS	12	
19	8064000	#8-32 x 5/8 HEX WASHER HEAD SCREW	4	
20	K001228	RUN CAPACITOR	1	
21	K001227	START CAPACITOR	1	
22	K001229	START SWITCH	1	

PART NOTES:

- [1] - Part requires factory authorized service. Contact Liberty Pumps at 1-800-543-2550
- [2] - ForLSG GrinderCutter Replacment Instructions see LSG Grinder Cutter Replacement

LSG202-REP (B52)



LSG202-REP

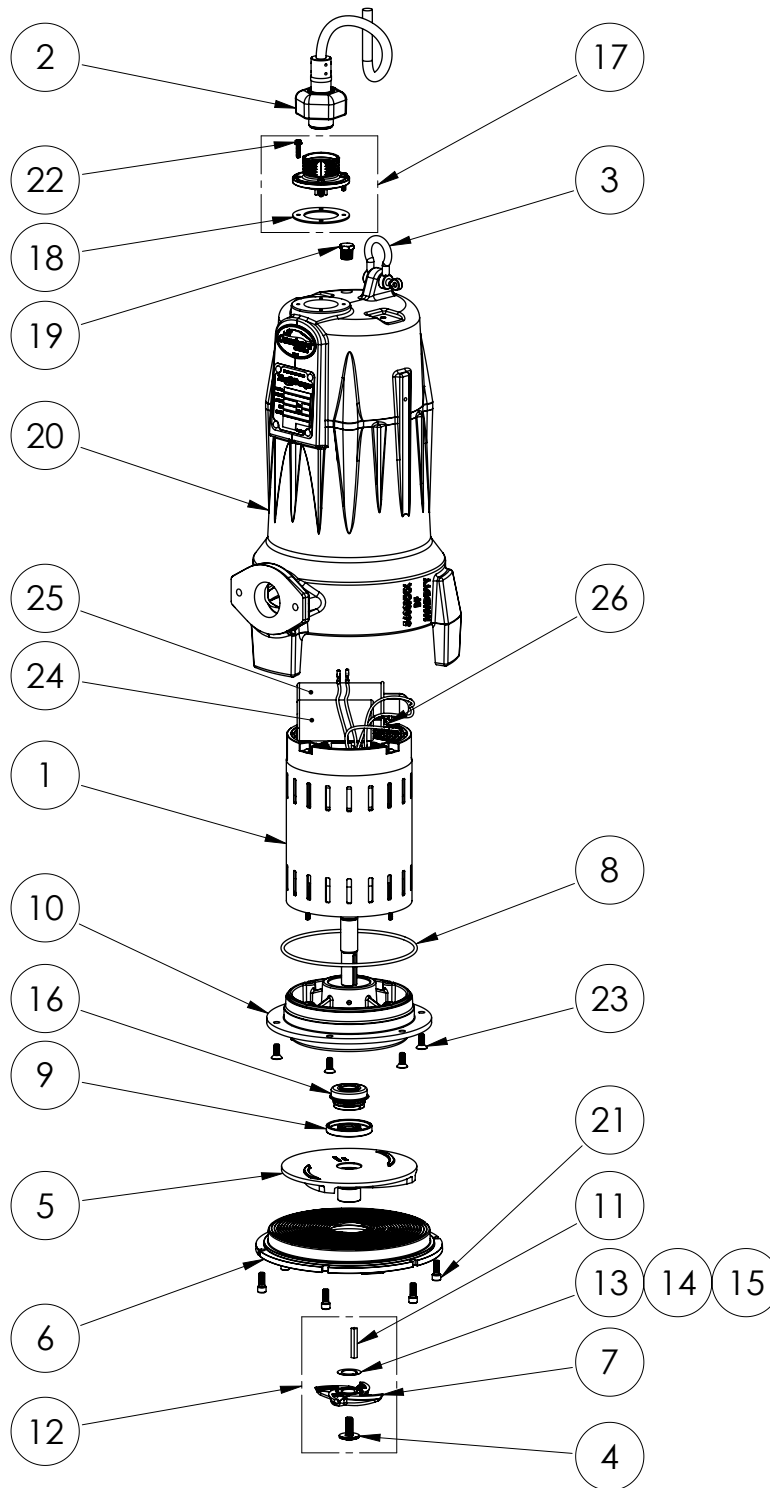
LSG202-REP (B52)

#	PART #	DESCRIPTION	QTY	Note
1	5601000	MOTOR	1	[1]
2	K001303	POWER CORD ASSY	1	
3	5611000	SHACKLE	1	
4	56360A0	FLANGED IMPELLER BOLT	1	
5	K001538	GRINDER IMPELLER KIT	1	
6	5615000	CUTTER PLATE	1	
7	5616900	ROTARY CUTTER	1	
8	5617000	O-RING	1	
9	5618000	DOUBLE LIP SEAL	1	[1]
10	5632000	MOTOR PLATE	1	[1]
11	56350A0	KEY	1	
12	K001139	ROTARY CUTTER KIT	1	[2]
13	K001445	ROTARY CUTTER SHIM KIT	1	
14	5633000	3/4" UNITIZED SHAFT SEAL	1	[1]
15	5060000	CORD PLATE GASKET	1	
16	5071000	BRASS OIL PLUG	1	
17	560000R	OMNIVORE HOUSING	1	
18	8103000	SCREW 1/4-20x5/8" HX SKT SS	6	
19	8064000	#8-32 x 5/8 HEX WASHER HEAD SCREW	4	
20	8018000	1/4-20 x 5/8 SLOTTED FLAT HEAD BOLT	6	
21	K001228	RUN CAPACITOR	1	
22	K001227	START CAPACITOR	1	
23	K001229	START SWITCH	1	

PART NOTES:

- [1] - Part requires factory authorized service. Contact Liberty Pumps at 1-800-543-2550
- [2] - ForLSG GrinderCutter Replacment Instructions see LSG Grinder Cutter Replacement

LSG202-REP (B53)



LSG202-REP853

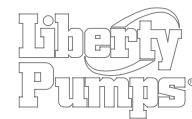
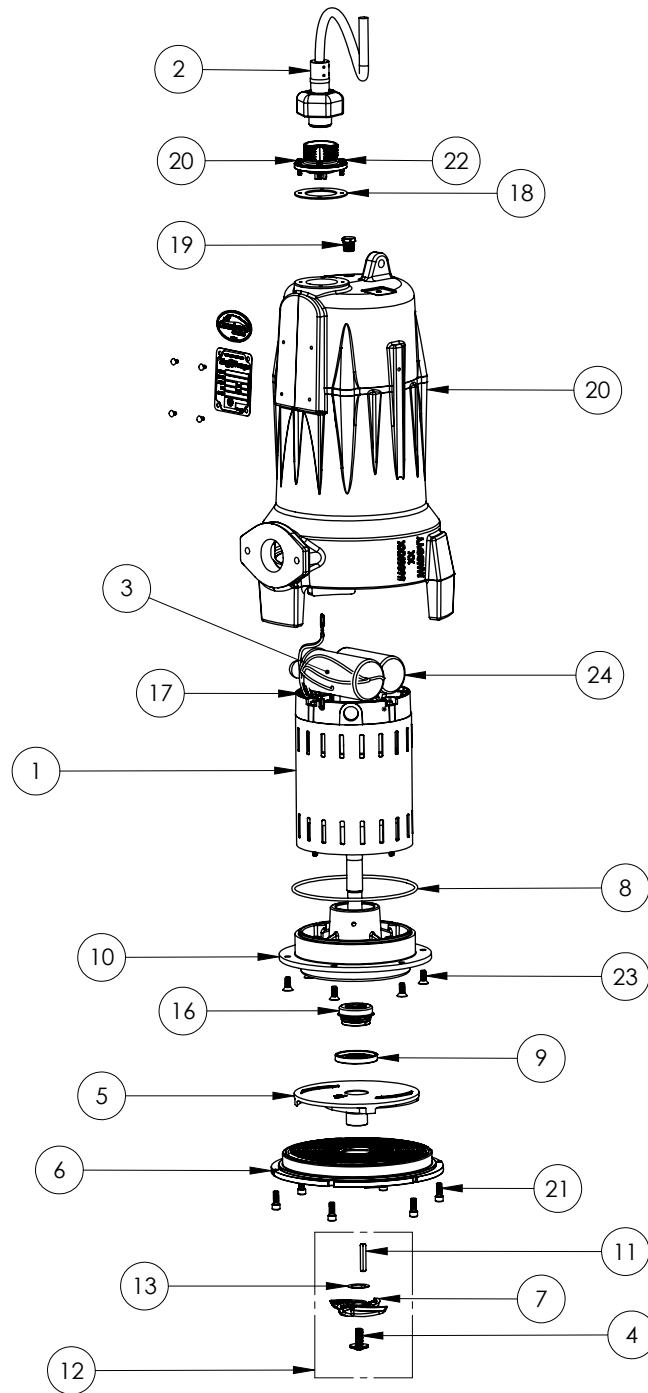
LSG202-REP (B53)

#	PART #	DESCRIPTION	QTY	Note
1	5601000	MOTOR	1	[1]
2	K001303	POWER CORD ASSY	1	
3	5611000	SHACKLE	1	
4	56360A0	FLANGED IMPELLER BOLT	1	
5	K001538	GRINDER IMPELLER KIT	1	
6	K001395	CUTTER PLATE	1	
7	5616900	ROTARY CUTTER	1	
8	5617000	O-RING	1	
9	5618000	DOUBLE LIP SEAL	1	[1]
10	5632000	MOTOR PLATE	1	[1]
11	56350A0	KEY	1	
12	K001139	ROTARY CUTTER KIT	1	[2]
13	K001445	ROTARY CUTTER SHIM KIT	1	
14	K001445	ROTARY CUTTER SHIM KIT	1	
15	K001445	ROTARY CUTTER SHIM KIT	1	
16	5633000	3/4" UNITIZED SHAFT SEAL	1	[1]
17	K001216	5619000, CORDPLATE	1	
18	5060000	CORD PLATE GASKET	1	
19	5071000	BRASS OIL PLUG	1	
20	560000R	OMNIVORE HOUSING	1	
21	8103000	SCREW 1/4-20x5/8" HX SKT SS	6	
22	8064000	#8-32 x 5/8 HEX WASHER HEAD SCREW	4	
23	8018000	1/4-20 x 5/8 SLOTTED FLAT HEAD BOLT	6	
24	K001227	START CAPACITOR	1	
25	K001228	RUN CAPACITOR	1	
26	K001229	START SWITCH	1	

PART NOTES:

- [1] - Part requires factory authorized service. Contact Liberty Pumps at 1-800-543-2550
- [2] - ForLSG GrinderCutter Replacment Instructions see LSG Grinder Cutter Replacement

LSG202-REP (B91)



LSG202-REP

LSG202-REP (B91)

#	PART #	DESCRIPTION	QTY	Note
1	5601000	MOTOR	1	[1]
2	56880B0	POWER CORD ASSEMBLY, 230V 1 PH	1	
3	K001228	RUN CAPACITOR	1	
4	56360B0	FLANGED IMPELLER BOLT, M8 THREAD	1	
5	K001538	GRINDER IMPELLER KIT	1	
6	K001395	CUTTER PLATE	1	
7	5616900	ROTARY CUTTER	1	
8	5617000	O-RING	1	
9	5618000	DOUBLE LIP SEAL	1	[1]
10	5632000	MOTOR PLATE	1	[1]
11	56350A0	KEY	1	
12	K001139	ROTARY CUTTER KIT	1	[2]
13	K001445	ROTARY CUTTER SHIM KIT	1	
16	5633000	3/4" UNITIZED SHAFT SEAL	1	[1]
17	K001229	START SWITCH	1	
18	5060000	CORD PLATE GASKET	1	
19	50710A0	PIPE PLUG, 1/4" HEX HD BRASS NPTF	1	
20	560000R	OMNIVORE HOUSING	1	
21	8103000	SCREW 1/4-20x5/8" HX SKT SS	6	
22	8064000	#8-32 x 5/8 HEX WASHER HEAD SCREW	4	
23	8018000	1/4-20 x 5/8 SLOTTED FLAT HEAD BOLT	6	
24	K001227	START CAPACITOR	1	

PART NOTES:

- [1] - Part requires factory authorized service. Contact Liberty Pumps at 1-800-543-2550
- [2] - ForLSG GrinderCutter Replacment Instructions see LSG Grinder Cutter Replacement

LSG202-REX

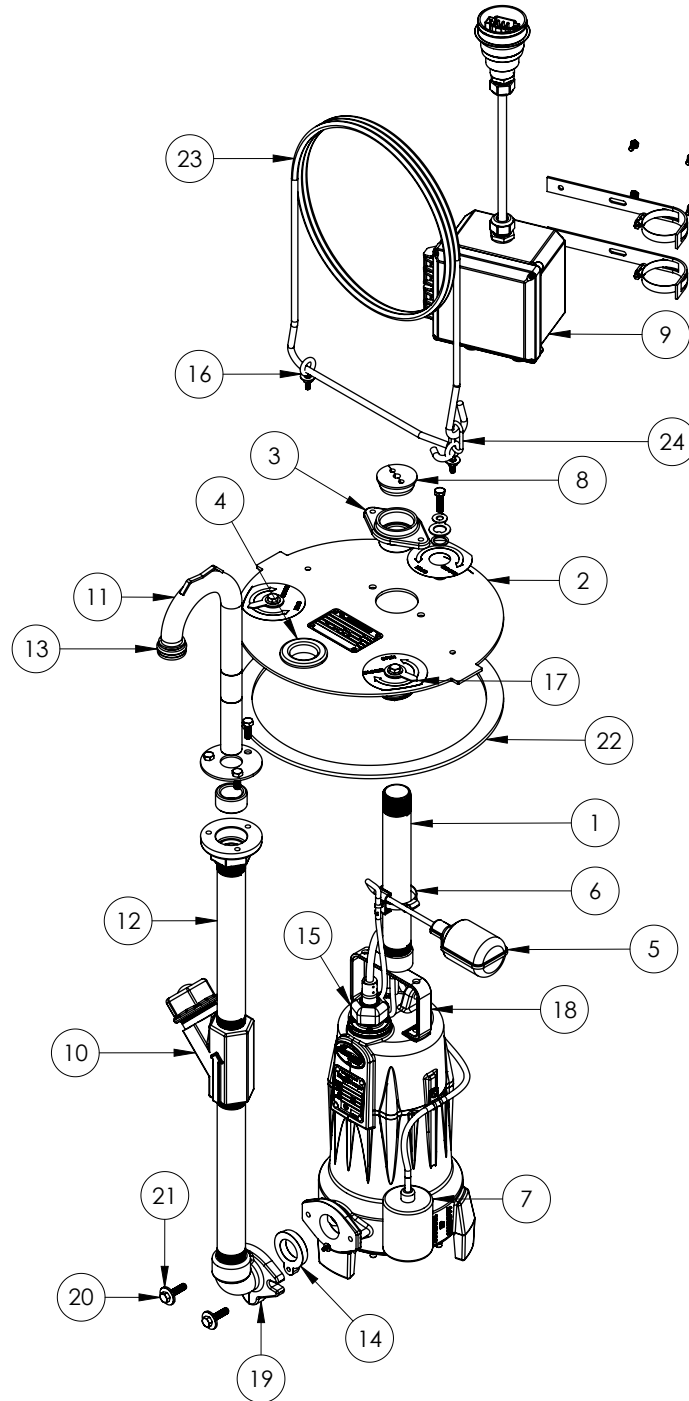
LSG202-REX (B53)

#	PART #	DESCRIPTION	QTY	Note
1	5669000	1-1/4" PIPE HANGER, STRAIGHT THREADS	1	
2	5661000	COVER	1	
3	5670000	1-1/4" GALVANIZED PIPE NUT	2	
4	K001353	4766000 PIPE SEAL GROMMET, 1-1/4" PIPE	1	
5	K001301	ALARM SWITCH WITH CLAMP	1	
6	5870000	SWITCH CLAMP	1	
7	K001302	PUMP SWITCH INCLUDING HARDWARE	1	
9	K001382	CONTROL BOX (ROUND HOOD CONNECTOR)	1	
10	ACV125	1.25" ANTI-SIPHON VALVE	1	
11	5738000	DISCHARGE ELBOW, STAINLESS STEEL	1	
12	56710A0	DISCHARGE PIPE, 1-1/4", STAINLESS STEEL	2	
13	5666000	O-RING	2	[1]
14	5644000	1-1/4" FLANGE SEAL GROMMET	1	
15	K001303	POWER CORD ASSY	1	
16	5673000	EYEBOLT	2	
17	5662000	QUICK RELEASE PIN	1	
18	56740A0	PUMP HANDLE / HANGER	1	
19	G90	FLANGED ELBOW KIT, INCLUDES GASKET, SCREWS AND WASHER	1	
20	8143000	SCREW, 3/8-16 x 1-3/4 LG, SS	2	
21	8158000	WASHER, 3/8 x 1-1/8, SS	2	
22	K001304	COVER GASKET INCLUDING HARDWARE	1	
23	5667000	14 FT BLACK ROPE, SPECIAL ENDS	1	
24	4755000	3/16" QUICK LINK, STAINLESS STEEL	1	

PART NOTES:

[1] - Part requires factory authorized service. Contact Liberty Pumps at 1-800-543-2550

LSG202-REX (B73)



LSG202-REX

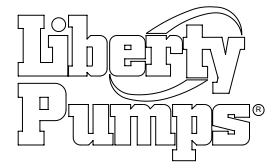
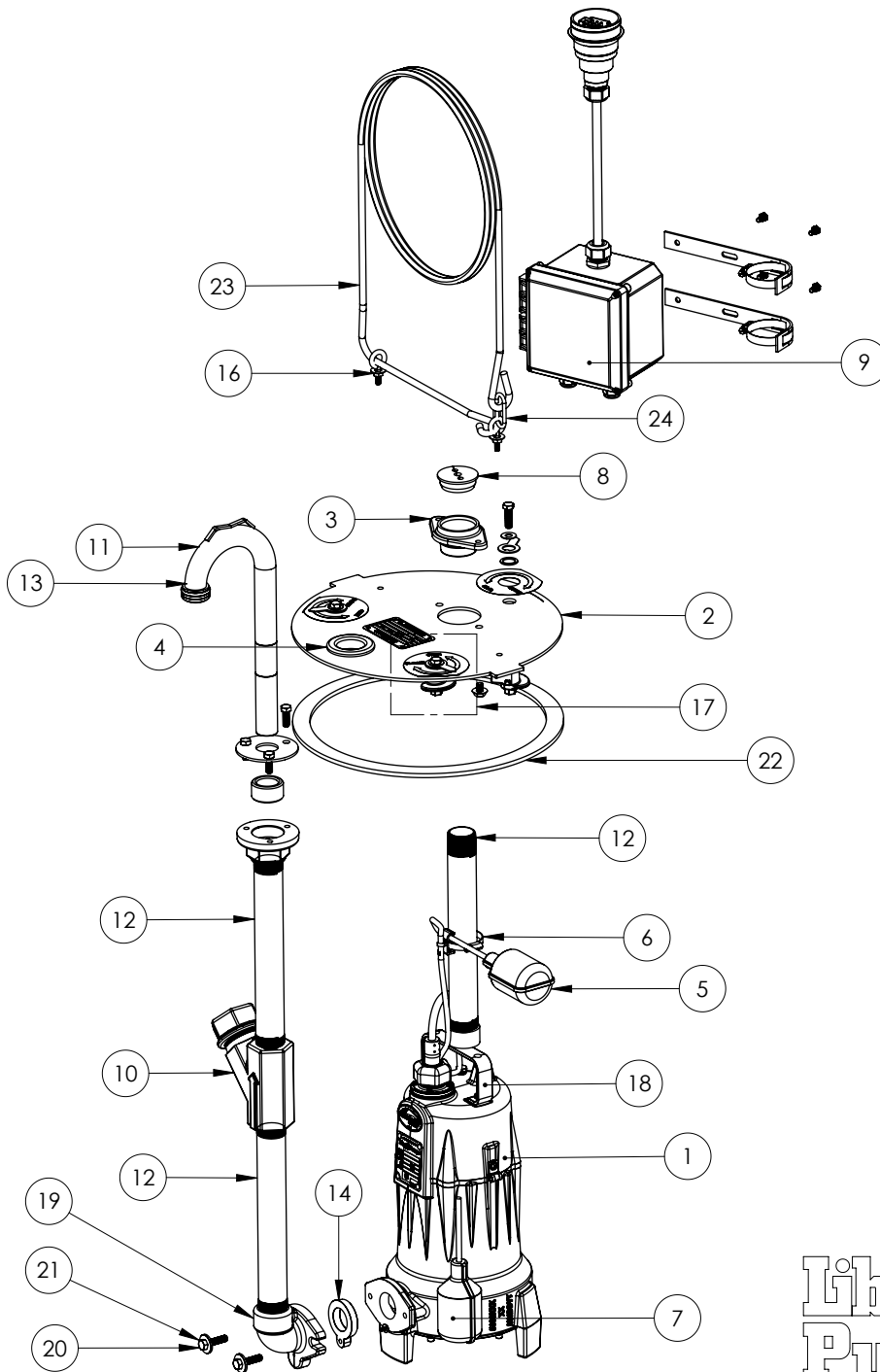
LSG202-REX (B73)

#	PART #	DESCRIPTION	QTY	Note
1	5669000	1-1/4" PIPE HANGER, STRAIGHT THREADS	1	
2	5661000	COVER	1	
3	5670000	1-1/4" GALVANIZED PIPE NUT	2	
4	K001353	4766000 PIPE SEAL GROMMET, 1-1/4" PIPE	1	
5	K001301	ALARM SWITCH WITH CLAMP	1	
6	5870000	SWITCH CLAMP	1	
7	K001417	57370A0 SWITCH, 12' PIGTAIL	1	
8	45480C0	3 HOLE STOPPER	1	
9	K001463	RE ELECTRIC BOX CONVERT KIT ROUND	1	
10	ACV125	1.25" ANTI-SIPHON VALVE	1	
11	5738000	DISCHARGE ELBOW, STAINLESS STEEL	1	
12	56710A0	DISCHARGE PIPE, 1-1/4", STAINLESS STEEL	2	
13	5666000	O-RING	2	[1]
14	5644000	1-1/4" FLANGE SEAL GROMMET	1	
15	K001303	POWER CORD ASSY	1	
16	5673000	EYEBOLT	2	
17	5662000	QUICK RELEASE PIN	1	
18	56740A0	PUMP HANDLE / HANGER	1	
19	G90	FLANGED ELBOW KIT, INCLUDES GASKET, SCREWS AND WASHER	1	
20	8143000	SCREW, 3/8-16 x 1-3/4 LG, SS	2	
21	8158000	WASHER, 3/8 x 1-1/8, SS	2	
22	K001304	COVER GASKET INCLUDING HARDWARE	1	
23	5667000	14 FT BLACK ROPE, SPECIAL ENDS	1	
24	4755000	3/16" QUICK LINK, STAINLESS STEEL	1	

PART NOTES:

[1] - Part requires factory authorized service. Contact Liberty Pumps at 1-800-543-2550

LSG202-REX (B91)



LSG202-REX

LSG202-REX (B91)

#	PART #	DESCRIPTION	QTY	Note
1	LSG202-REP	PUMP FOR LSG202-RE	1	
2	8549000	COVER	1	
3	855100B	PIPE SUPPORT FLANGE	2	
4	K001353	4766000 PIPE SEAL GROMMET, 1-1/4" PIPE	1	
5	K001428	SWITCH KIT, 60050C0 12' RE CORD	1	
6	5870000	SWITCH CLAMP	1	
7	K001532	KIT, WIDE ANGLE PILOT DUTY NO 12'	1	
8	45480C0	3 HOLE STOPPER	1	
9	K001551	KIT, RE ENCLOSURE (ROUND) AND BRACKETS	1	
10	ACV125	1.25" ANTI-SIPHON VALVE	1	
11	8570000	DISCHARGE ELBOW, STAINLESS STEEL	1	[1]
12	K001500	DISCHARGE PIPE, 1-1/4", SS 13" LONG	2	
13	8571000	DISCHARGE SEAL	2	
14	5644000	1-1/4" FLANGE SEAL GROMMET	1	
15	56880B0	POWER CORD ASSEMBLY, 230V 1 PH	1	
16	5673000	EYEBOLT	2	
17	8560E00	CAM LOCK ASSEMBLY	1	
18	56740A0	PUMP HANDLE / HANGER	1	
19	565400R	FLANGED ELBOW	1	
20	8110000	3/8-16 x 1-1/2" STAINLESS STEEL HEXBOLT 3/8-16X1-1/2 316SS	2	
21	8158000	WASHER, 3/8 x 1-1/8, SS	2	
22	K001438	COVER GASKET KIT, 4071RB0	1	
23	56670A0	ROPE 5/8 HOLLOW BRADE	1	
24	4755000	3/16" QUICK LINK, STAINLESS STEEL	1	

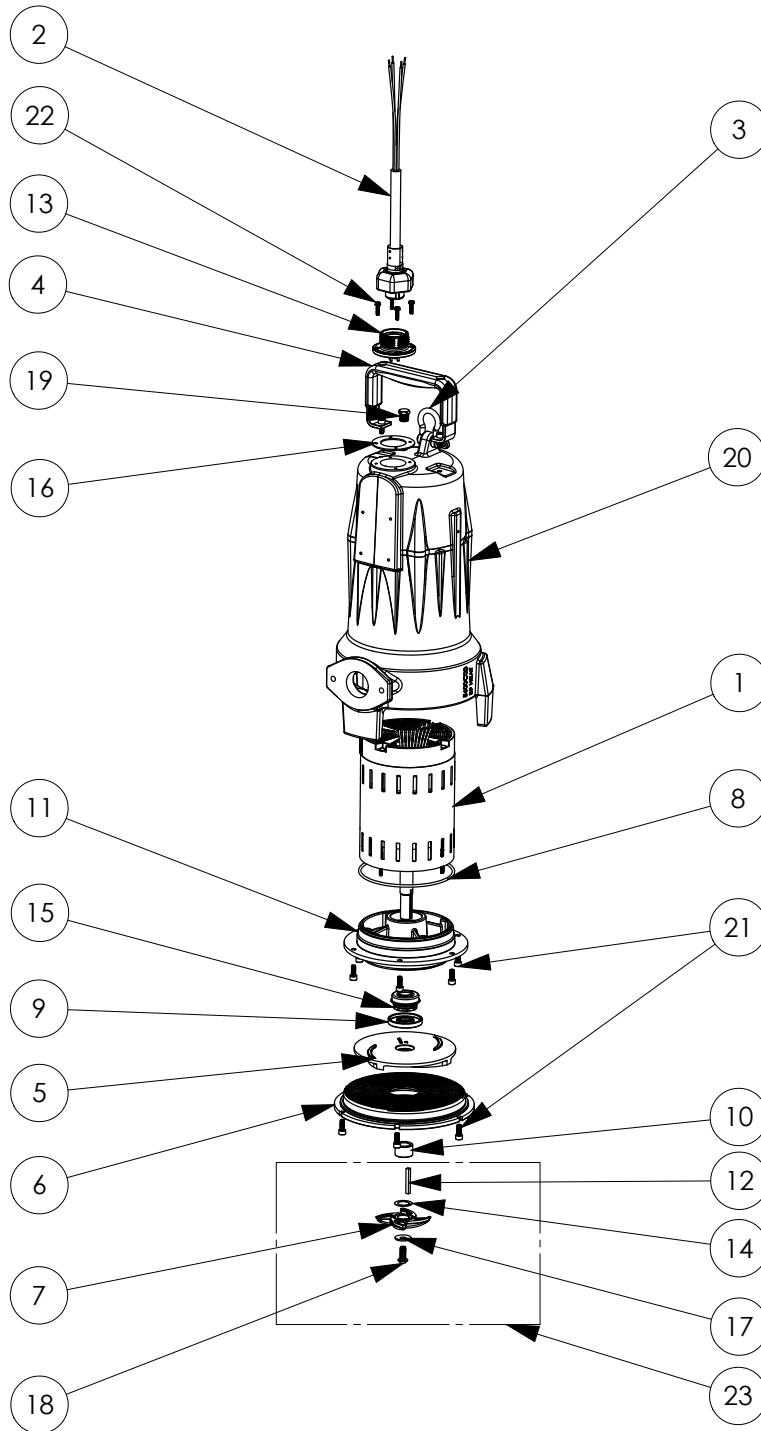
PART NOTES:

[1] - K001498: RE-DISCHARGE KIT

Includes:

\\k001498.jpg" align=left>

LSG203M (B10)



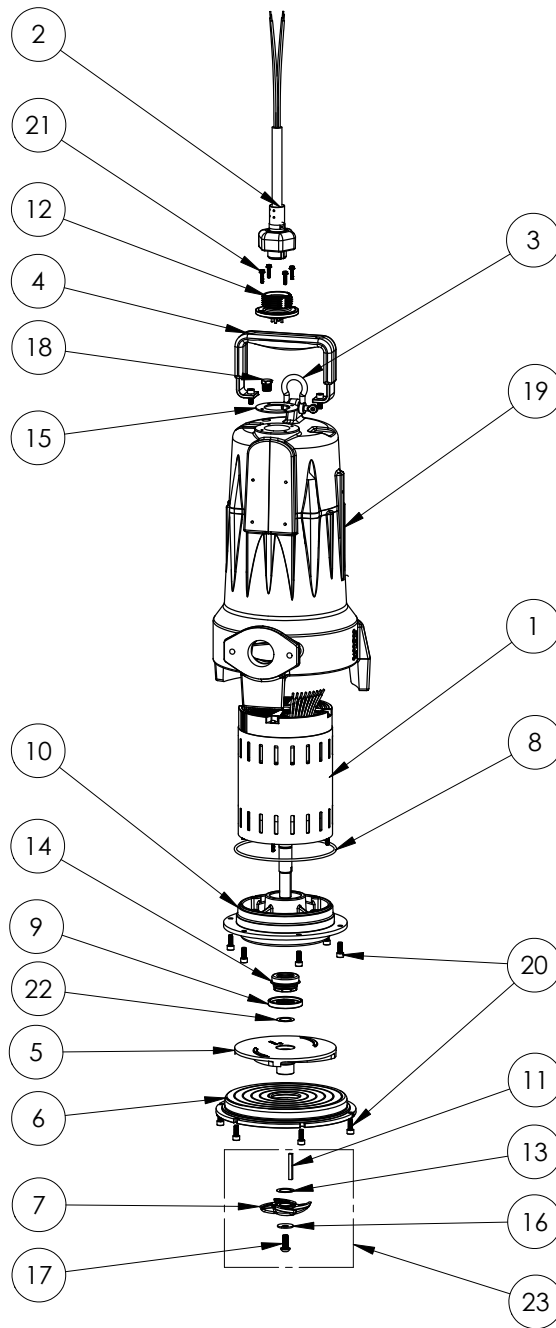
LSG203M**LSG203M (B10)**

#	PART #	DESCRIPTION	QTY	Note
1	5628000	MOTOR	1	[1]
2	K001357	POWER CORD, 25FT	1	
3	5611000	SHACKLE	1	
4	5613000	HANDLE	1	
5	K001538	GRINDER IMPELLER KIT	1	
6	5615000	CUTTER PLATE	1	
7	5616900	ROTARY CUTTER	1	
8	5617000	O-RING	1	
9	5618000	DOUBLE LIP SEAL	1	[1]
10	5621000	BUSHING	1	
11	5632000	MOTOR PLATE	1	[1]
12	5635000	KEY	1	
13	5629000	GRINDER CORDPLATE	1	
14	K001445	ROTARY CUTTER SHIM KIT	1	
15	5633000	3/4" UNITIZED SHAFT SEAL	1	[1]
16	5060000	CORD PLATE GASKET	1	
17	5634000	BELLEVILLE WASHER, STAINLESS STEEL	1	
18	5636000	IMPELLER BOLT	1	
19	5071000	BRASS OIL PLUG	1	
20	560000R	OMNIVORE HOUSING	1	
21	5646000	CAP SCREW, SHCS, 1/4-28 X 9/16" SS	14	
22	8064000	#8-32 x 5/8 HEX WASHER HEAD SCREW	4	
23	K001139	ROTARY CUTTER KIT	1	[2]

PART NOTES:

- [1] - Part requires factory authorized service. Contact Liberty Pumps at 1-800-543-2550
- [2] - ForLSG GrinderCutter Replacment Instructions see LSG Grinder Cutter Replacement

LSG203M (B27)



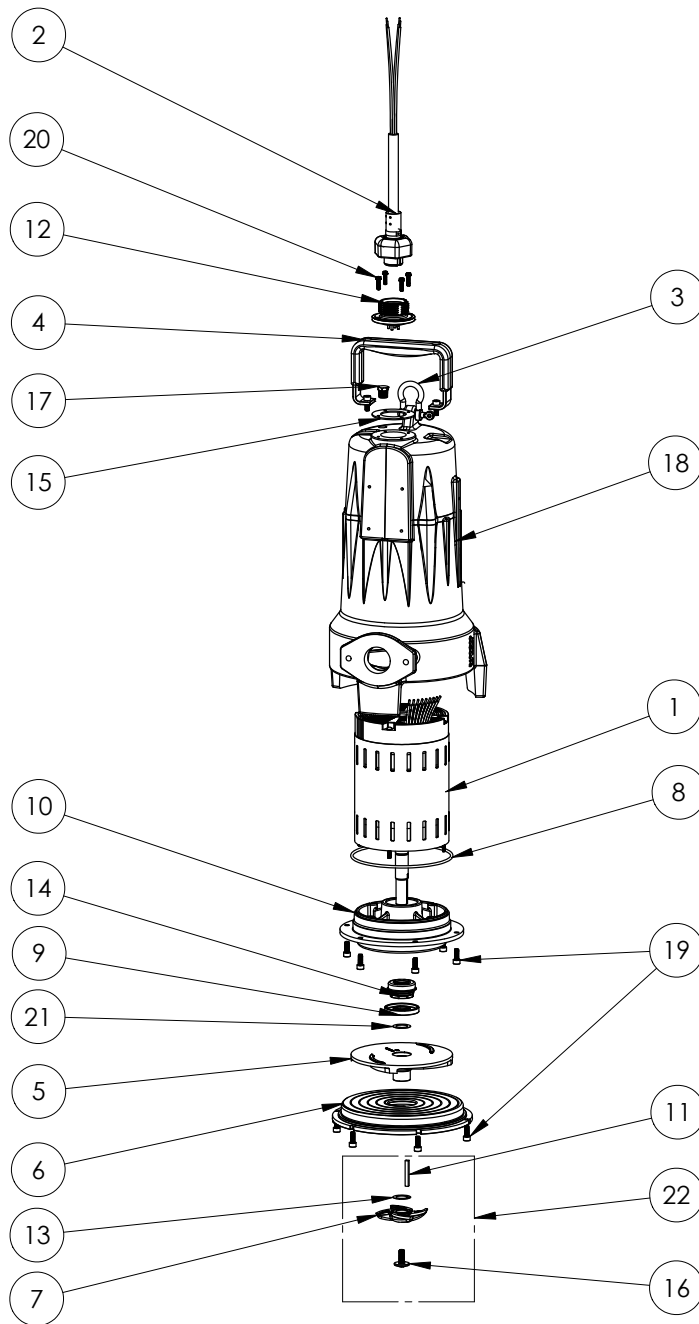
LSG203M**LSG203M (B27)**

#	PART #	DESCRIPTION	QTY	Note
1	5628000	MOTOR	1	[1]
2	K001357	POWER CORD, 25FT	1	
3	5611000	SHACKLE	1	
4	5613000	HANDLE	1	
5	K001538	GRINDER IMPELLER KIT	1	
6	5615000	CUTTER PLATE	1	
7	5616900	ROTARY CUTTER	1	
8	5617000	O-RING	1	
9	5618000	DOUBLE LIP SEAL	1	[1]
10	5632000	MOTOR PLATE	1	[1]
11	5635000	KEY	1	
12	5629000	GRINDER CORDPLATE	1	
13	K001445	ROTARY CUTTER SHIM KIT	1	
14	5633000	3/4" UNITIZED SHAFT SEAL	1	[1]
15	5060000	CORD PLATE GASKET	1	
16	56340A0	FLAT WASHER	1	
17	5636000	IMPELLER BOLT	1	
18	5071000	BRASS OIL PLUG	1	
19	560000R	OMNIVORE HOUSING	1	
20	5646000	CAP SCREW, SHCS, 1/4-28 X 9/16" SS	14	
21	8064000	#8-32 x 5/8 HEX WASHER HEAD SCREW	4	
22	5627000	SHIM WASHER	1	
23	K001139	ROTARY CUTTER KIT	1	[2]

PART NOTES:

- [1] - Part requires factory authorized service. Contact Liberty Pumps at 1-800-543-2550
- [2] - ForLSG GrinderCutter Replacment Instructions see LSG Grinder Cutter Replacement

LSG203M (B28)



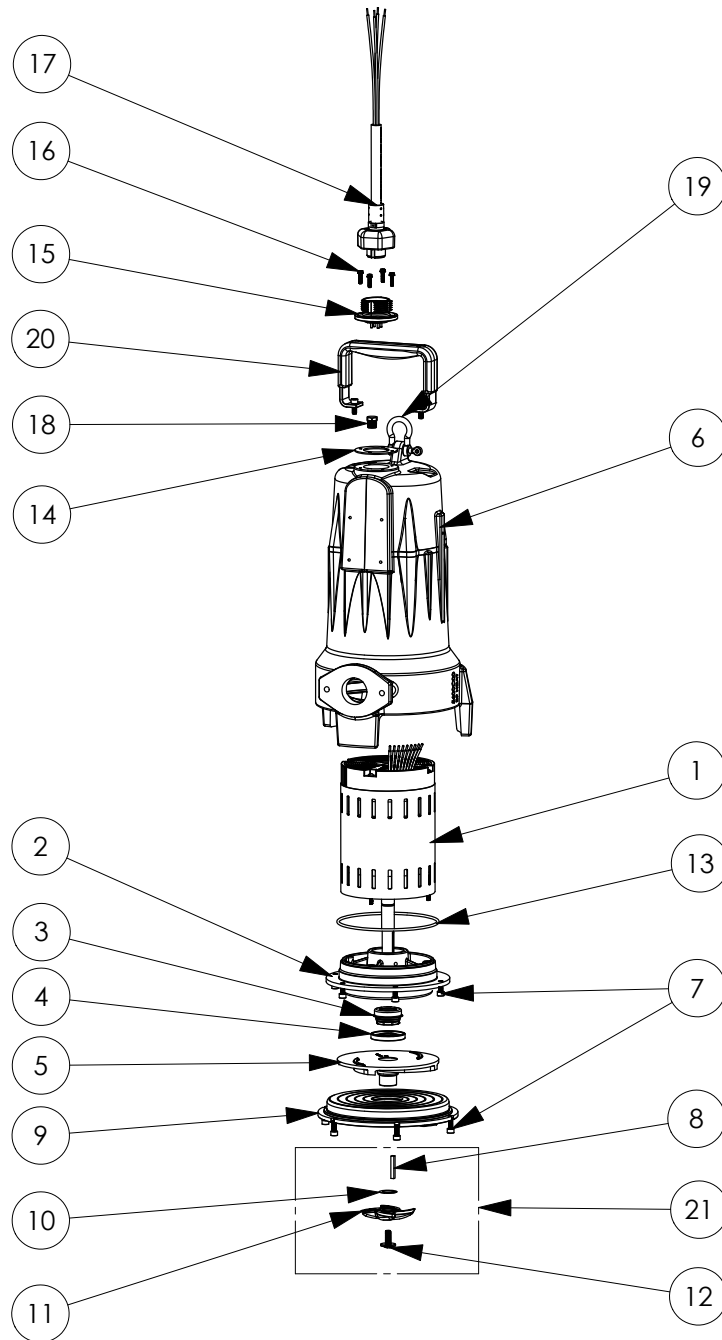
LSG203M**LSG203M (B28)**

#	PART #	DESCRIPTION	QTY	Note
1	5628000	MOTOR	1	[1]
2	K001357	POWER CORD, 25FT	1	
3	5611000	SHACKLE	1	
4	5613000	HANDLE	1	
5	K001538	GRINDER IMPELLER KIT	1	
6	5615000	CUTTER PLATE	1	
7	5616900	ROTARY CUTTER	1	
8	5617000	O-RING	1	
9	5618000	DOUBLE LIP SEAL	1	[1]
10	5632000	MOTOR PLATE	1	[1]
11	5635000	KEY	1	
12	5629000	GRINDER CORDPLATE	1	
13	K001445	ROTARY CUTTER SHIM KIT	1	
14	5633000	3/4" UNITIZED SHAFT SEAL	1	[1]
15	5060000	CORD PLATE GASKET	1	
16	56360A0	FLANGED IMPELLER BOLT	1	
17	5071000	BRASS OIL PLUG	1	
18	560000R	OMNIVORE HOUSING	1	
19	5646000	CAP SCREW, SHCS, 1/4-28 X 9/16" SS	14	
20	8064000	#8-32 x 5/8 HEX WASHER HEAD SCREW	4	
21	5627000	SHIM WASHER	1	
22	K001139	ROTARY CUTTER KIT	1	[2]

PART NOTES:

- [1] - Part requires factory authorized service. Contact Liberty Pumps at 1-800-543-2550
- [2] - ForLSG GrinderCutter Replacment Instructions see LSG Grinder Cutter Replacement

LSG203M (B29)



LSG203M

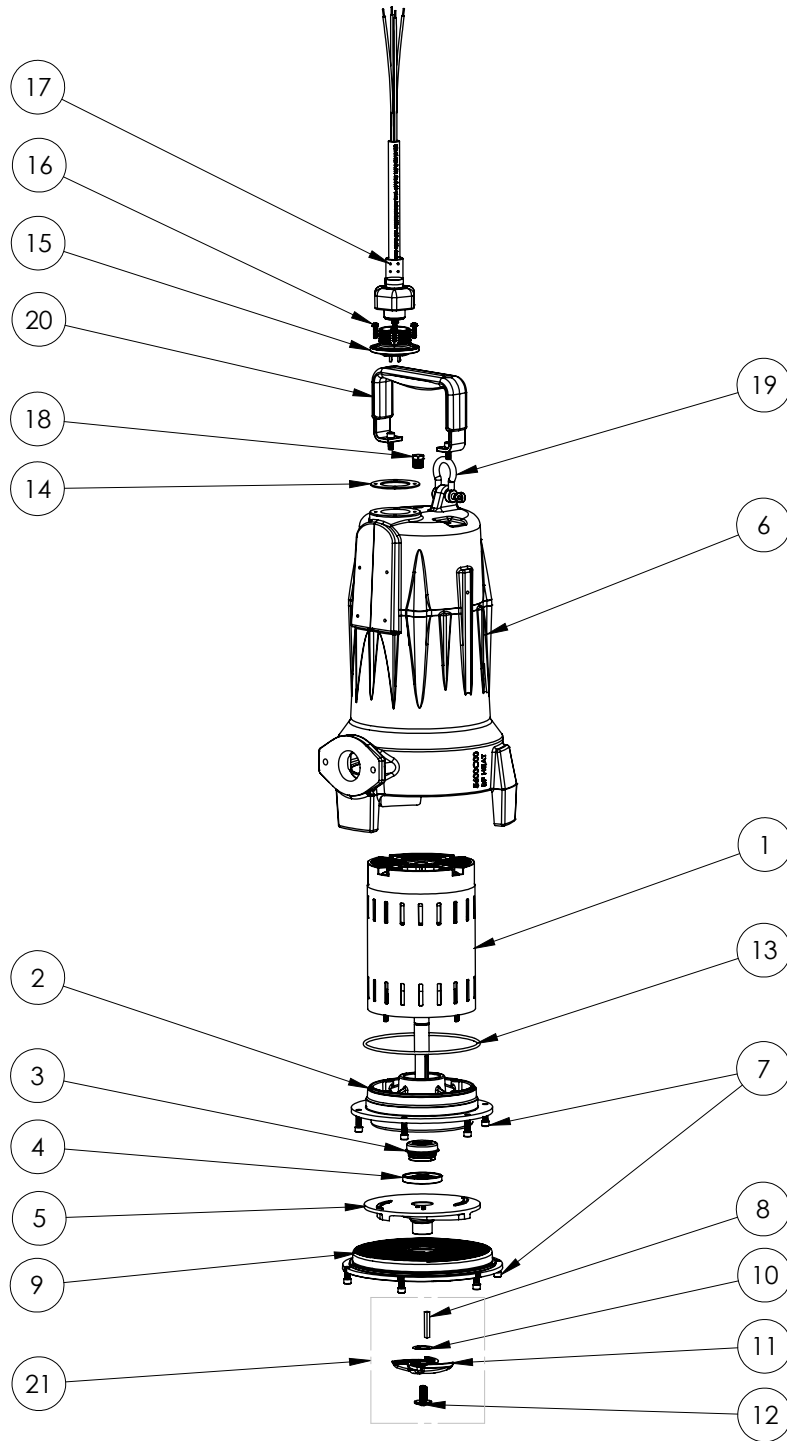
LSG203M (B29)

#	PART #	DESCRIPTION	QTY	Note
1	5628000	MOTOR	1	[1]
2	5632000	MOTOR PLATE	1	[1]
3	5633000	3/4" UNITIZED SHAFT SEAL	1	[1]
4	5618000	DOUBLE LIP SEAL	1	[1]
5	K001538	GRINDER IMPELLER KIT	1	
6	560000R	OMNIVORE HOUSING	1	
7	5646000	CAP SCREW, SHCS, 1/4-28 X 9/16" SS	14	
8	56350A0	KEY	1	
9	5615000	CUTTER PLATE	1	
10	K001445	ROTARY CUTTER SHIM KIT	1	
11	5616900	ROTARY CUTTER	1	
12	56360A0	FLANGED IMPELLER BOLT	1	
13	5617000	O-RING	1	
14	5060000	CORD PLATE GASKET	1	
15	5629000	GRINDER CORDPLATE	1	
16	8064000	#8-32 x 5/8 HEX WASHER HEAD SCREW	4	
17	K001357	POWER CORD, 25FT	1	
18	5071000	BRASS OIL PLUG	1	
19	5611000	SHACKLE	1	
20	5613000	HANDLE	1	
21	K001139	ROTARY CUTTER KIT	1	[2]

PART NOTES:

- [1] - Part requires factory authorized service. Contact Liberty Pumps at 1-800-543-2550
- [2] - ForLSG GrinderCutter Replacment Instructions see LSG Grinder Cutter Replacement

LSG203M (B48)



LSG203M

LSG203M (B48)

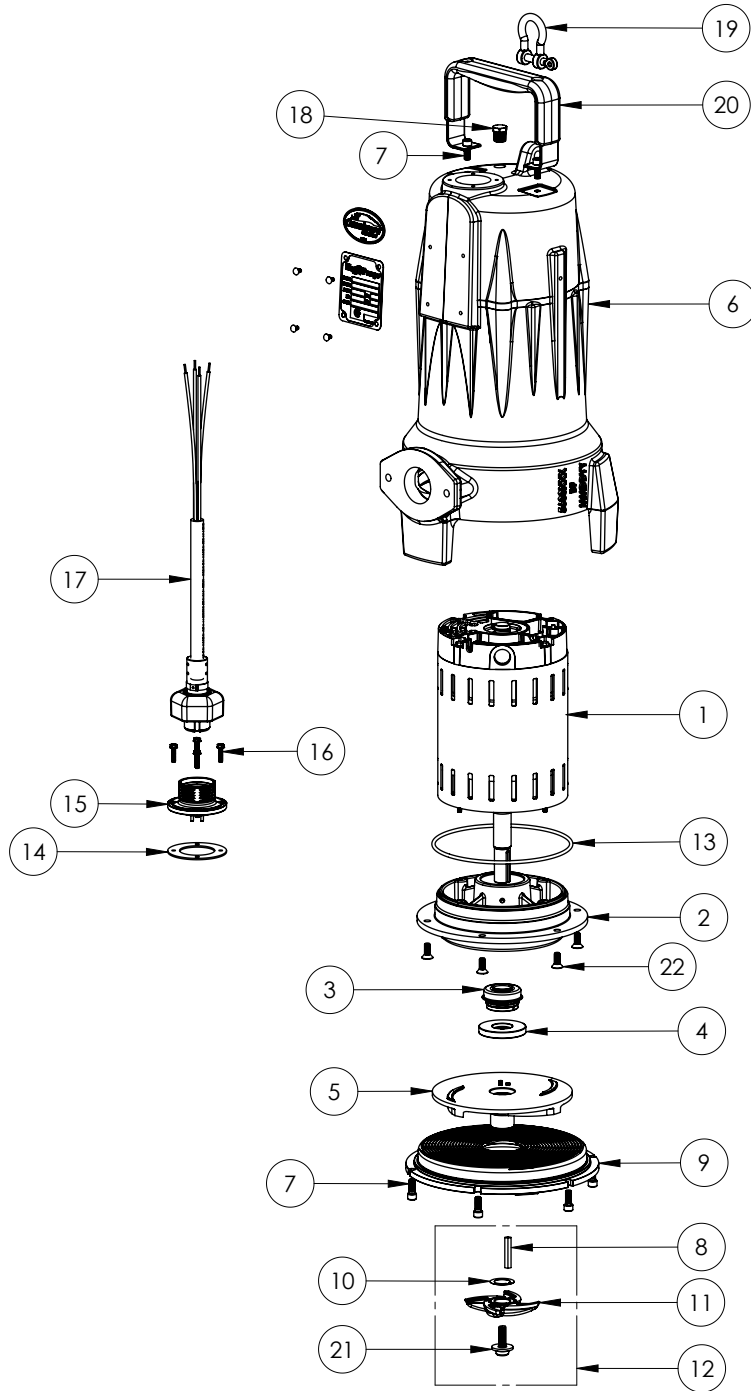
#	PART #	DESCRIPTION	QTY	Note
1	5628000	MOTOR	1	[1]
2	5632000	MOTOR PLATE	1	[1]
3	5633000	3/4" UNITIZED SHAFT SEAL	1	[1]
4	5618000	DOUBLE LIP SEAL	1	[1]
5	K001538	GRINDER IMPELLER KIT	1	
6	560000R	OMNIVORE HOUSING	1	
7	8103000	SCREW 1/4-20x5/8" HX SKT SS	14	
8	56350A0	KEY	1	
9	5615000	CUTTER PLATE	1	
10	K001445	ROTARY CUTTER SHIM KIT	1	
11	5616900	ROTARY CUTTER	1	
12	56360A0	FLANGED IMPELLER BOLT	1	
13	5617000	O-RING	1	
14	5060000	CORD PLATE GASKET	1	
15	5629000	GRINDER CORDPLATE	1	
16	8064000	#8-32 x 5/8 HEX WASHER HEAD SCREW	4	
17	K001357	POWER CORD, 25FT	1	
18	5071000	BRASS OIL PLUG	1	
19	5611000	SHACKLE	1	
20	5613000	HANDLE	1	
21	K001139	ROTARY CUTTER KIT	1	[2]

PART NOTES:

- [1] - Part requires factory authorized service. Contact Liberty Pumps at 1-800-543-2550
- [2] - ForLSG GrinderCutter Replacment Instructions see LSG Grinder Cutter Replacement

LSG203M

LSG203M (B52)



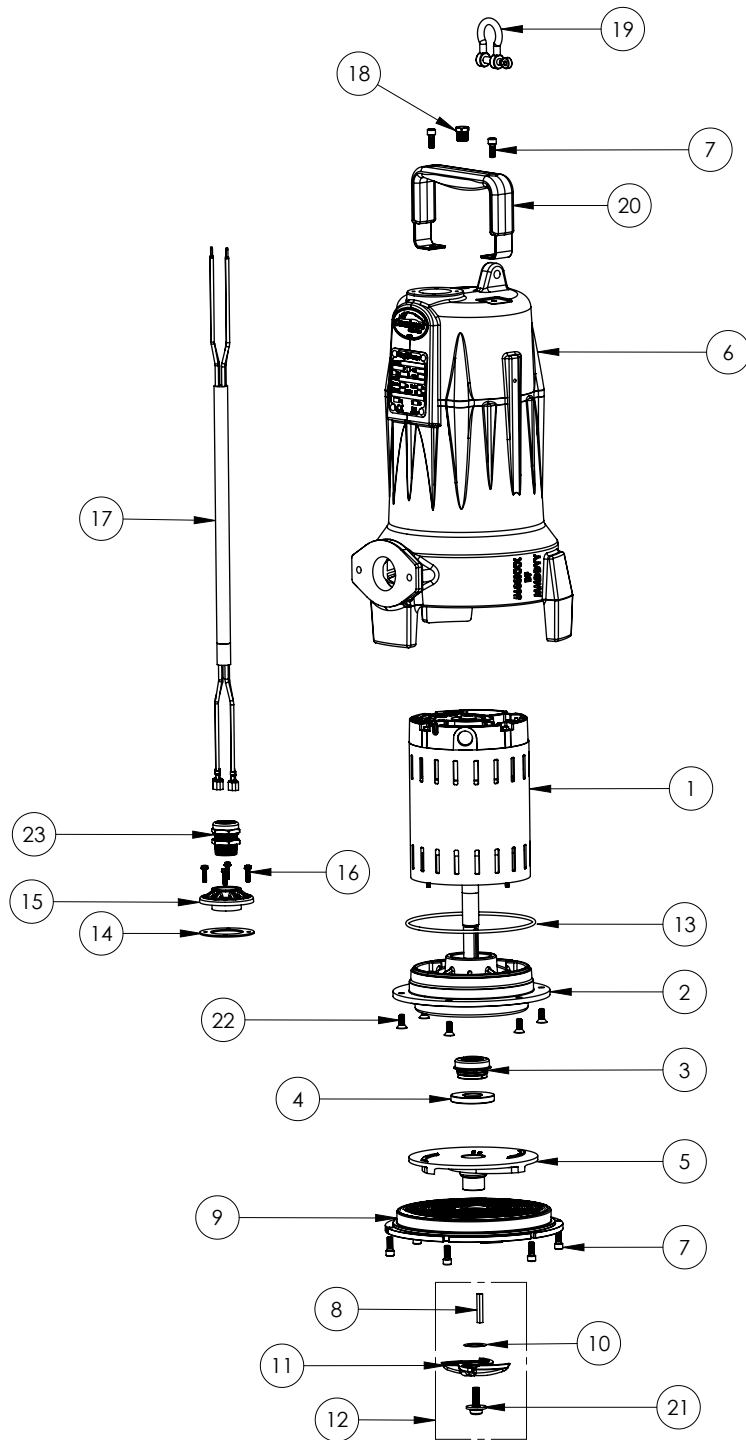
LSG203M**LSG203M (B52)**

#	PART #	DESCRIPTION	QTY	Note
1	5445000	MOTOR, LSG, 208-230 3PH	1	
2	5632000	MOTOR PLATE	1	[1]
3	5633000	3/4" UNITIZED SHAFT SEAL	1	[1]
4	5618000	DOUBLE LIP SEAL	1	[1]
5	K001538	GRINDER IMPELLER KIT	1	
6	560000R	OMNIVORE HOUSING	1	
7	8103000	SCREW 1/4-20x5/8" HX SKT SS	8	
8	56350A0	KEY	1	
9	K001395	CUTTER PLATE	1	
10	K001445	ROTARY CUTTER SHIM KIT	1	
11	5616900	ROTARY CUTTER	1	
12	K001139	ROTARY CUTTER KIT	1	[2]
13	5617000	O-RING	1	
14	5060000	CORD PLATE GASKET	1	
15	5629000	GRINDER CORDPLATE	1	
16	8064000	#8-32 x 5/8 HEX WASHER HEAD SCREW	4	
17	K001357	POWER CORD, 25FT	1	
18	50710A0	PIPE PLUG, 1/4" HEX HD BRASS NPTF	1	
19	5611000	SHACKLE	1	
20	5613000	HANDLE	1	
21	56360A0	FLANGED IMPELLER BOLT	1	
22	5613000	HANDLE	6	

PART NOTES:

- [1] - Part requires factory authorized service. Contact Liberty Pumps at 1-800-543-2550
- [2] - ForLSG GrinderCutter Replacment Instructions see LSG Grinder Cutter Replacement

LSG203M-3E (B84)



LSG203M-3E

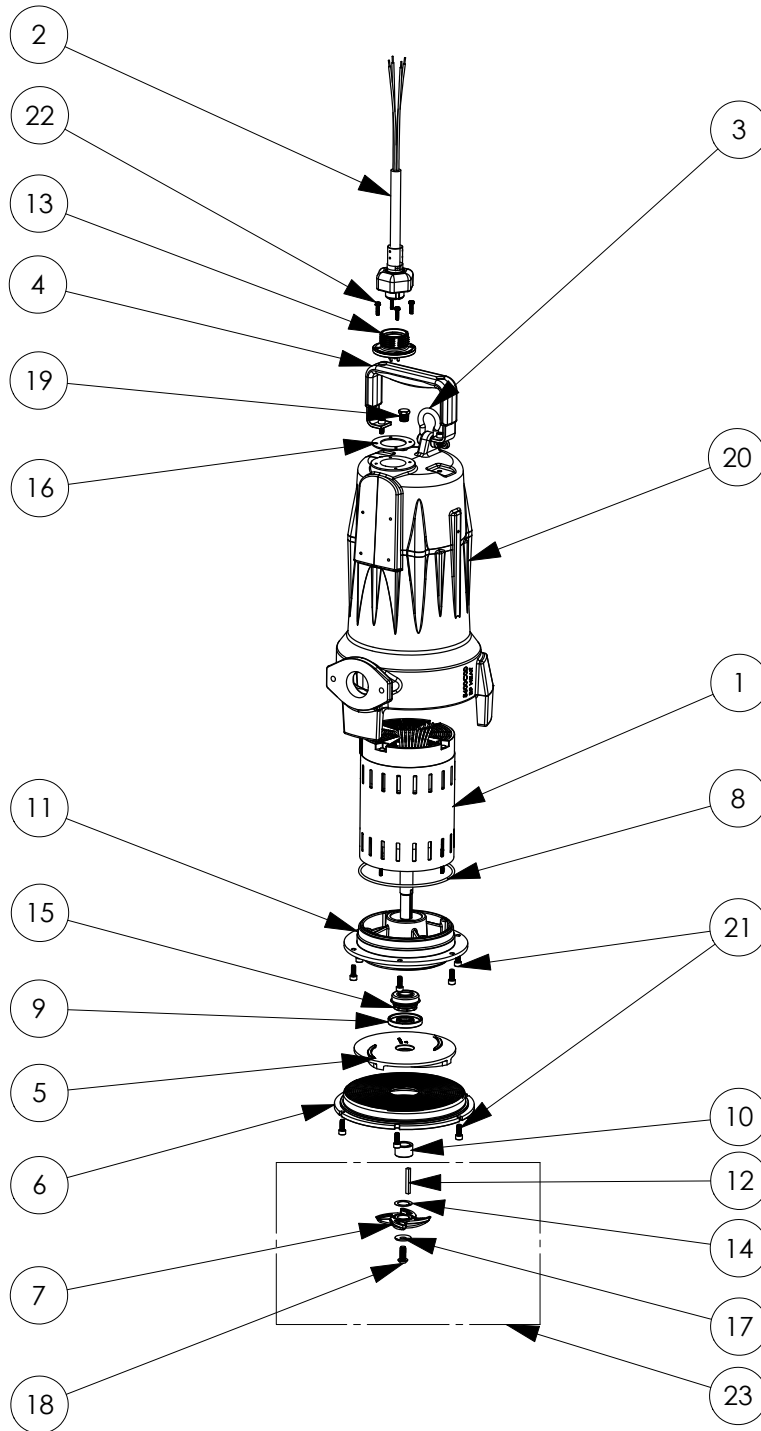
LSG203M-3E (B84)

#	PART #	DESCRIPTION	QTY	Note
1	5628000	MOTOR	1	[1]
2	5632000	MOTOR PLATE	1	[1]
3	5633000	3/4" UNITIZED SHAFT SEAL	1	[1]
4	5618000	DOUBLE LIP SEAL	1	[1]
5	K001538	GRINDER IMPELLER KIT	1	
6	560000R	OMNIVORE HOUSING	1	
7	8103000	SCREW 1/4-20x5/8" HX SKT SS	8	
8	56350A0	KEY	1	
9	K001395	CUTTER PLATE	1	
10	K001445	ROTARY CUTTER SHIM KIT	1	
11	5616900	ROTARY CUTTER	1	
12	K001139	ROTARY CUTTER KIT	1	[2]
13	5617000	O-RING	1	
14	5060000	CORD PLATE GASKET	1	
15	57890AR	PAINTED 3/4 NPT, CE CORD PLATE	1	
16	8064000	#8-32 x 5/8 HEX WASHER HEAD SCREW	4	
17	K001419	IEC 3PH 10M CORD KIT	1	
18	50710A0	PIPE PLUG, 1/4" HEX HD BRASS NPTF	1	
19	5611000	SHACKLE	1	
20	5613000	HANDLE	1	
21	56360A0	FLANGED IMPELLER BOLT	1	
22	8018000	1/4-20 x 5/8 SLOTTED FLAT HEAD BOLT	6	

PART NOTES:

- [1] - Part requires factory authorized service. Contact Liberty Pumps at 1-800-543-2550
- [2] - ForLSG GrinderCutter Replacment Instructions see LSG Grinder Cutter Replacement

LSG204M (B10)



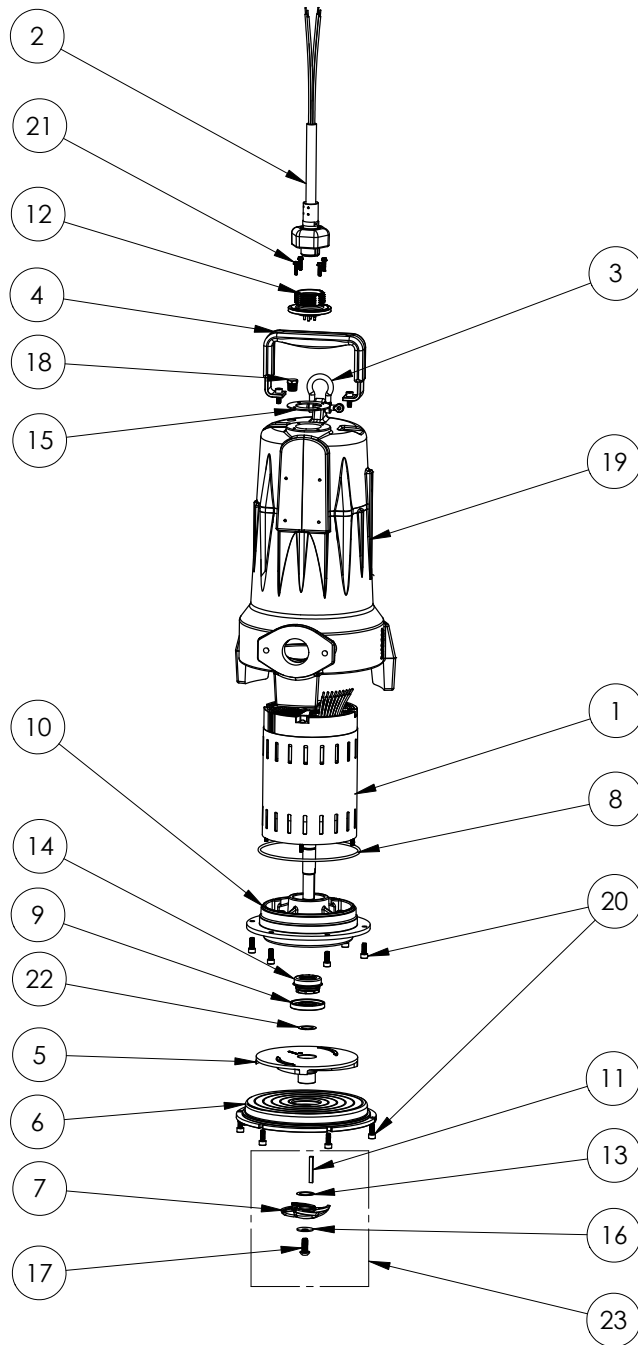
LSG204M**LSG204M (B10)**

#	PART #	DESCRIPTION	QTY	Note
1	5628000	MOTOR	1	[1]
2	K001357	POWER CORD, 25FT	1	
3	5611000	SHACKLE	1	
4	5613000	HANDLE	1	
5	K001538	GRINDER IMPELLER KIT	1	
6	5615000	CUTTER PLATE	1	
7	5616900	ROTARY CUTTER	1	
8	5617000	O-RING	1	
9	5618000	DOUBLE LIP SEAL	1	[1]
10	5621000	BUSHING	1	
11	5632000	MOTOR PLATE	1	[1]
12	5635000	KEY	1	
13	5629000	GRINDER CORDPLATE	1	
14	K001445	ROTARY CUTTER SHIM KIT	1	
15	5633000	3/4" UNITIZED SHAFT SEAL	1	[1]
16	5060000	CORD PLATE GASKET	1	
17	5634000	BELLEVILLE WASHER, STAINLESS STEEL	1	
18	5636000	IMPELLER BOLT	1	
19	5071000	BRASS OIL PLUG	1	
20	560000R	OMNIVORE HOUSING	1	
21	5646000	CAP SCREW, SHCS, 1/4-28 X 9/16" SS	14	
22	8064000	#8-32 x 5/8 HEX WASHER HEAD SCREW	4	
23	K001139	ROTARY CUTTER KIT	1	[2]

PART NOTES:

- [1] - Part requires factory authorized service. Contact Liberty Pumps at 1-800-543-2550
- [2] - ForLSG GrinderCutter Replacment Instructions see LSG Grinder Cutter Replacement

LSG204M (B27)



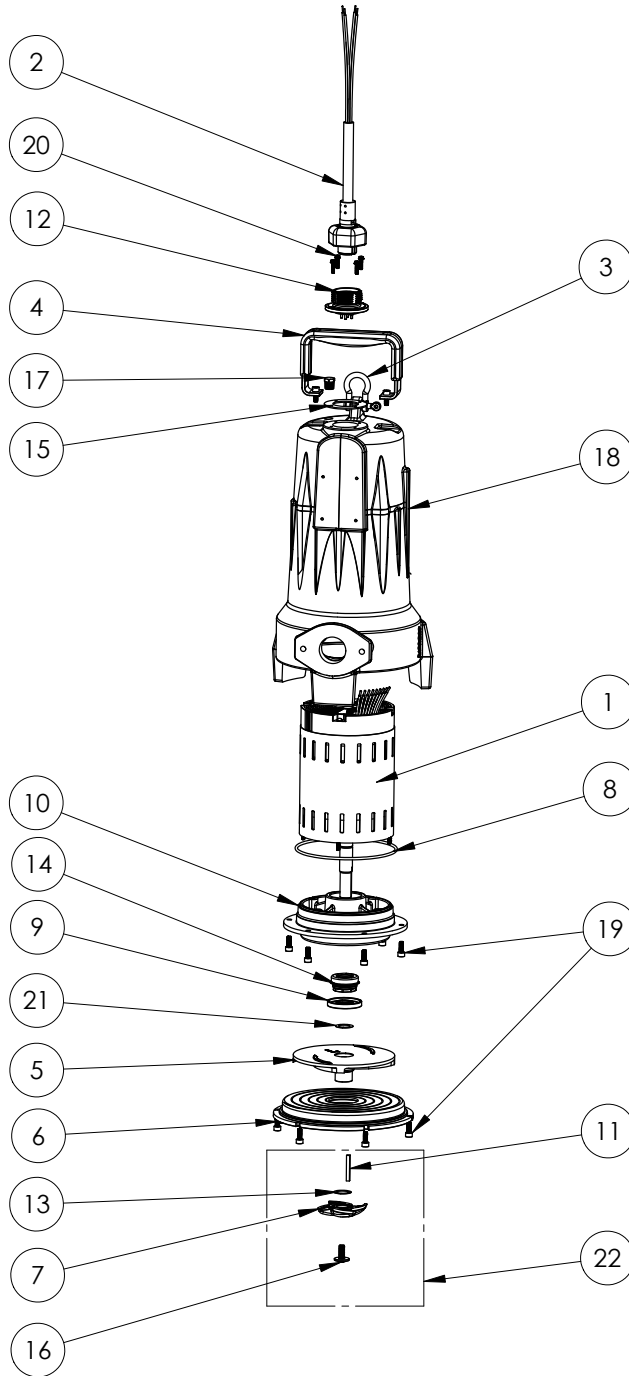
LSG204M**LSG204M (B27)**

#	PART #	DESCRIPTION	QTY	Note
1	5628000	MOTOR	1	[1]
2	K001357	POWER CORD, 25FT	1	
3	5611000	SHACKLE	1	
4	5613000	HANDLE	1	
5	K001538	GRINDER IMPELLER KIT	1	
6	5615000	CUTTER PLATE	1	
7	5616900	ROTARY CUTTER	1	
8	5617000	O-RING	1	
9	5618000	DOUBLE LIP SEAL	1	[1]
10	5632000	MOTOR PLATE	1	[1]
11	5635000	KEY	1	
12	5629000	GRINDER CORDPLATE	1	
13	K001445	ROTARY CUTTER SHIM KIT	1	
14	5633000	3/4" UNITIZED SHAFT SEAL	1	[1]
15	5060000	CORD PLATE GASKET	1	
16	56340A0	FLAT WASHER	1	
17	5636000	IMPELLER BOLT	1	
18	5071000	BRASS OIL PLUG	1	
19	560000R	OMNIVORE HOUSING	1	
20	5646000	CAP SCREW, SHCS, 1/4-28 X 9/16" SS	14	
21	8064000	#8-32 x 5/8 HEX WASHER HEAD SCREW	4	
22	5627000	SHIM WASHER	1	
23	K001139	ROTARY CUTTER KIT	1	[2]

PART NOTES:

- [1] - Part requires factory authorized service. Contact Liberty Pumps at 1-800-543-2550
- [2] - ForLSG GrinderCutter Replacment Instructions see LSG Grinder Cutter Replacement

LSG204M (B28)



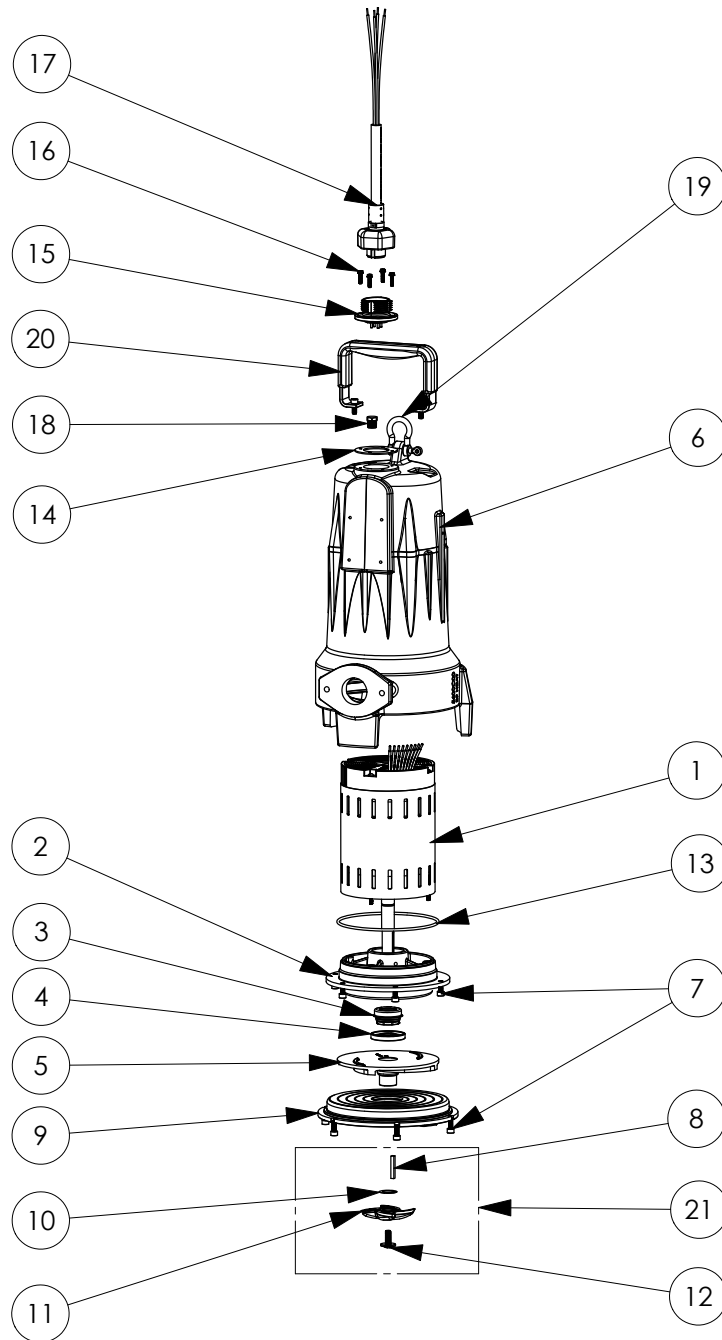
LSG204M**LSG204M (B28)**

#	PART #	DESCRIPTION	QTY	Note
1	5628000	MOTOR	1	[1]
2	K001357	POWER CORD, 25FT	1	
3	5611000	SHACKLE	1	
4	5613000	HANDLE	1	
5	K001538	GRINDER IMPELLER KIT	1	
6	5615000	CUTTER PLATE	1	
7	5616900	ROTARY CUTTER	1	
8	5617000	O-RING	1	
9	5618000	DOUBLE LIP SEAL	1	[1]
10	5632000	MOTOR PLATE	1	[1]
11	5635000	KEY	1	
12	5629000	GRINDER CORDPLATE	1	
13	K001445	ROTARY CUTTER SHIM KIT	1	
14	5633000	3/4" UNITIZED SHAFT SEAL	1	[1]
15	5060000	CORD PLATE GASKET	1	
16	56360A0	FLANGED IMPELLER BOLT	1	
17	5071000	BRASS OIL PLUG	1	
18	560000R	OMNIVORE HOUSING	1	
19	5646000	CAP SCREW, SHCS, 1/4-28 X 9/16" SS	14	
20	8064000	#8-32 x 5/8 HEX WASHER HEAD SCREW	4	
21	5627000	SHIM WASHER	1	
22	K001139	ROTARY CUTTER KIT	1	[2]

PART NOTES:

- [1] - Part requires factory authorized service. Contact Liberty Pumps at 1-800-543-2550
- [2] - ForLSG GrinderCutter Replacment Instructions see LSG Grinder Cutter Replacement

LSG204M (B29)



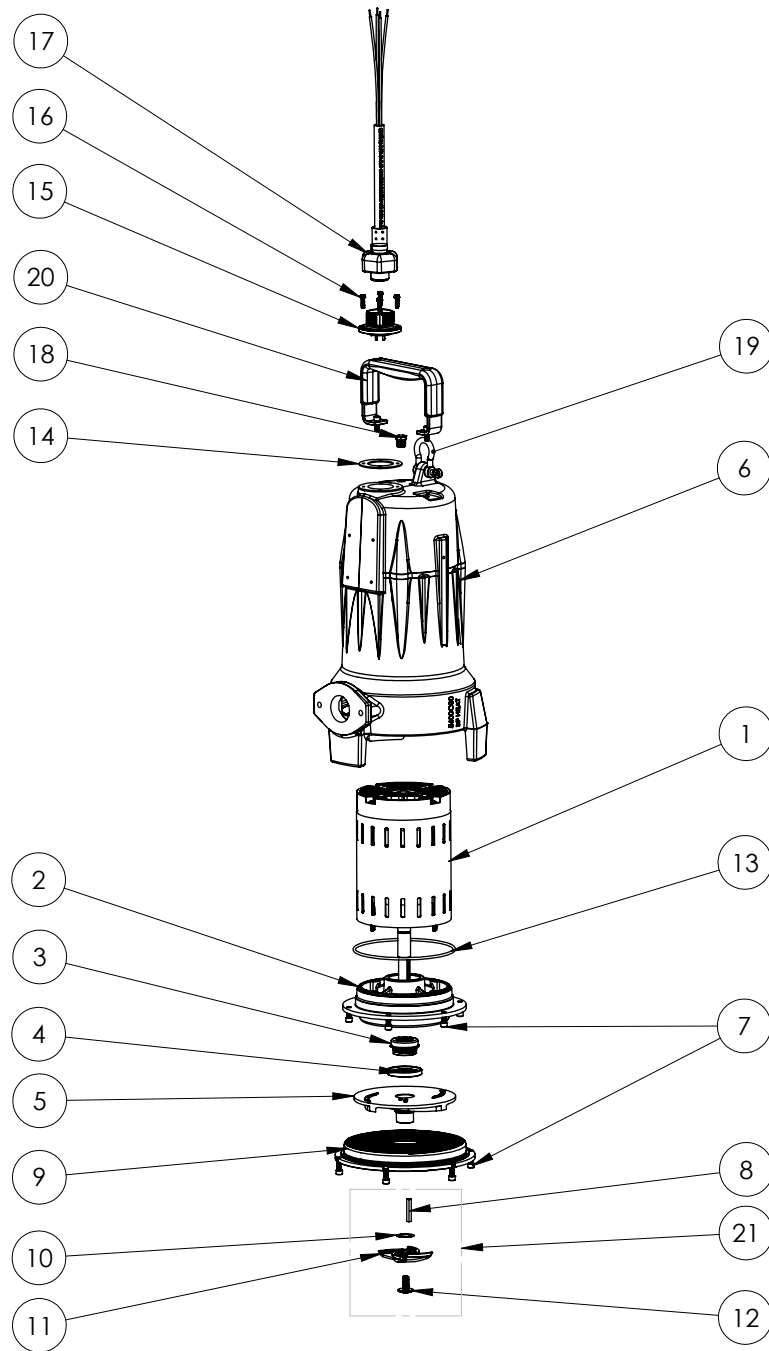
LSG204M**LSG204M (B29)**

#	PART #	DESCRIPTION	QTY	Note
1	5628000	MOTOR	1	[1]
2	5632000	MOTOR PLATE	1	[1]
3	5633000	3/4" UNITIZED SHAFT SEAL	1	[1]
4	5618000	DOUBLE LIP SEAL	1	[1]
5	K001538	GRINDER IMPELLER KIT	1	
6	560000R	OMNIVORE HOUSING	1	
7	5646000	CAP SCREW, SHCS, 1/4-28 X 9/16" SS	14	
8	56350A0	KEY	1	
9	5615000	CUTTER PLATE	1	
10	K001445	ROTARY CUTTER SHIM KIT	1	
11	5616900	ROTARY CUTTER	1	
12	56360A0	FLANGED IMPELLER BOLT	1	
13	5617000	O-RING	1	
14	5060000	CORD PLATE GASKET	1	
15	5629000	GRINDER CORDPLATE	1	
16	8064000	#8-32 x 5/8 HEX WASHER HEAD SCREW	4	
17	K001357	POWER CORD, 25FT	1	
18	5071000	BRASS OIL PLUG	1	
19	5611000	SHACKLE	1	
20	5613000	HANDLE	1	
21	K001139	ROTARY CUTTER KIT	1	[2]

PART NOTES:

- [1] - Part requires factory authorized service. Contact Liberty Pumps at 1-800-543-2550
- [2] - ForLSG GrinderCutter Replacment Instructions see LSG Grinder Cutter Replacement

LSG204M (B48)



LSG204M

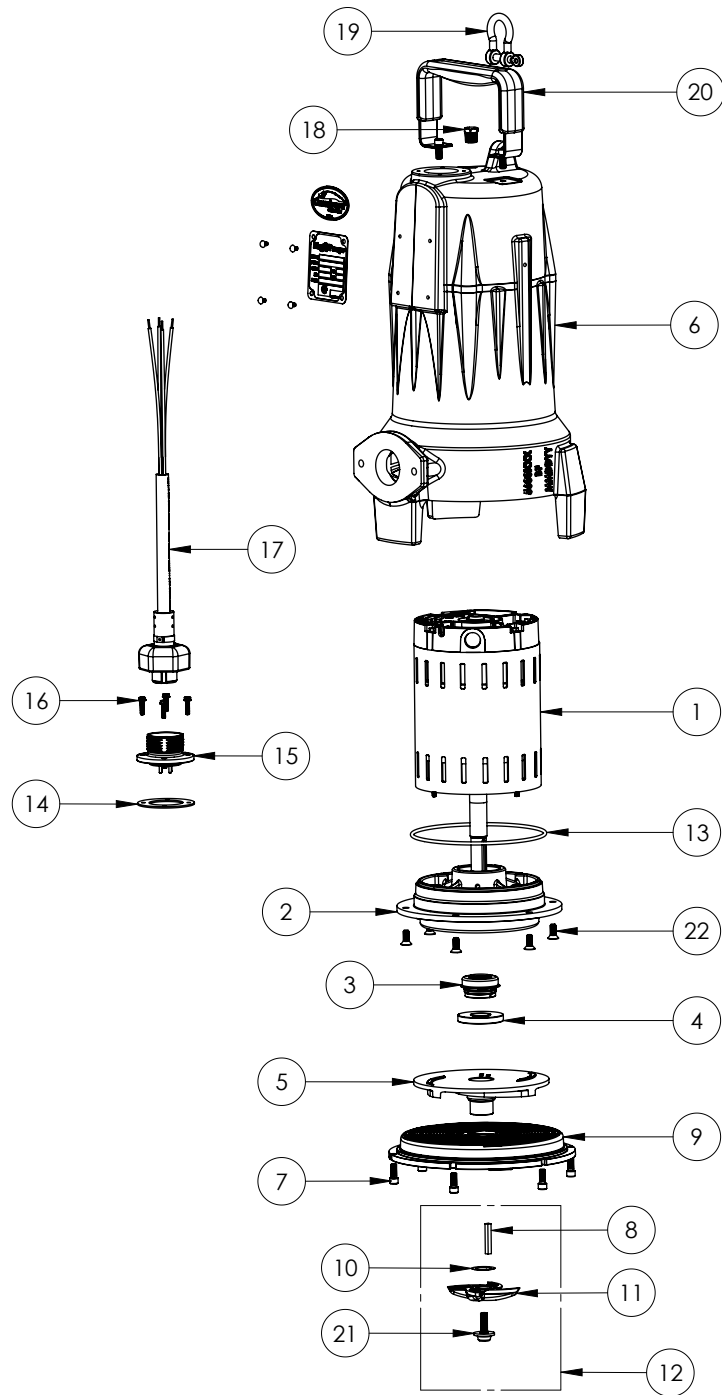
LSG204M (B48)

#	PART #	DESCRIPTION	QTY	Note
1	5628000	MOTOR	1	[1]
2	5632000	MOTOR PLATE	1	[1]
3	5633000	3/4" UNITIZED SHAFT SEAL	1	[1]
4	5618000	DOUBLE LIP SEAL	1	[1]
5	K001538	GRINDER IMPELLER KIT	1	
6	560000R	OMNIVORE HOUSING	1	
7	8103000	SCREW 1/4-20x5/8" HX SKT SS	14	
8	56350A0	KEY	1	
9	5615000	CUTTER PLATE	1	
10	K001445	ROTARY CUTTER SHIM KIT	1	
11	5616900	ROTARY CUTTER	1	
12	56360A0	FLANGED IMPELLER BOLT	1	
13	5617000	O-RING	1	
14	5060000	CORD PLATE GASKET	1	
15	5629000	GRINDER CORDPLATE	1	
16	8064000	#8-32 x 5/8 HEX WASHER HEAD SCREW	4	
17	K001357	POWER CORD, 25FT	1	
18	5071000	BRASS OIL PLUG	1	
19	5611000	SHACKLE	1	
20	5613000	HANDLE	1	
21	K001139	ROTARY CUTTER KIT	1	[2]

PART NOTES:

- [1] - Part requires factory authorized service. Contact Liberty Pumps at 1-800-543-2550
- [2] - ForLSG GrinderCutter Replacment Instructions see LSG Grinder Cutter Replacement

LSG204M (B52)



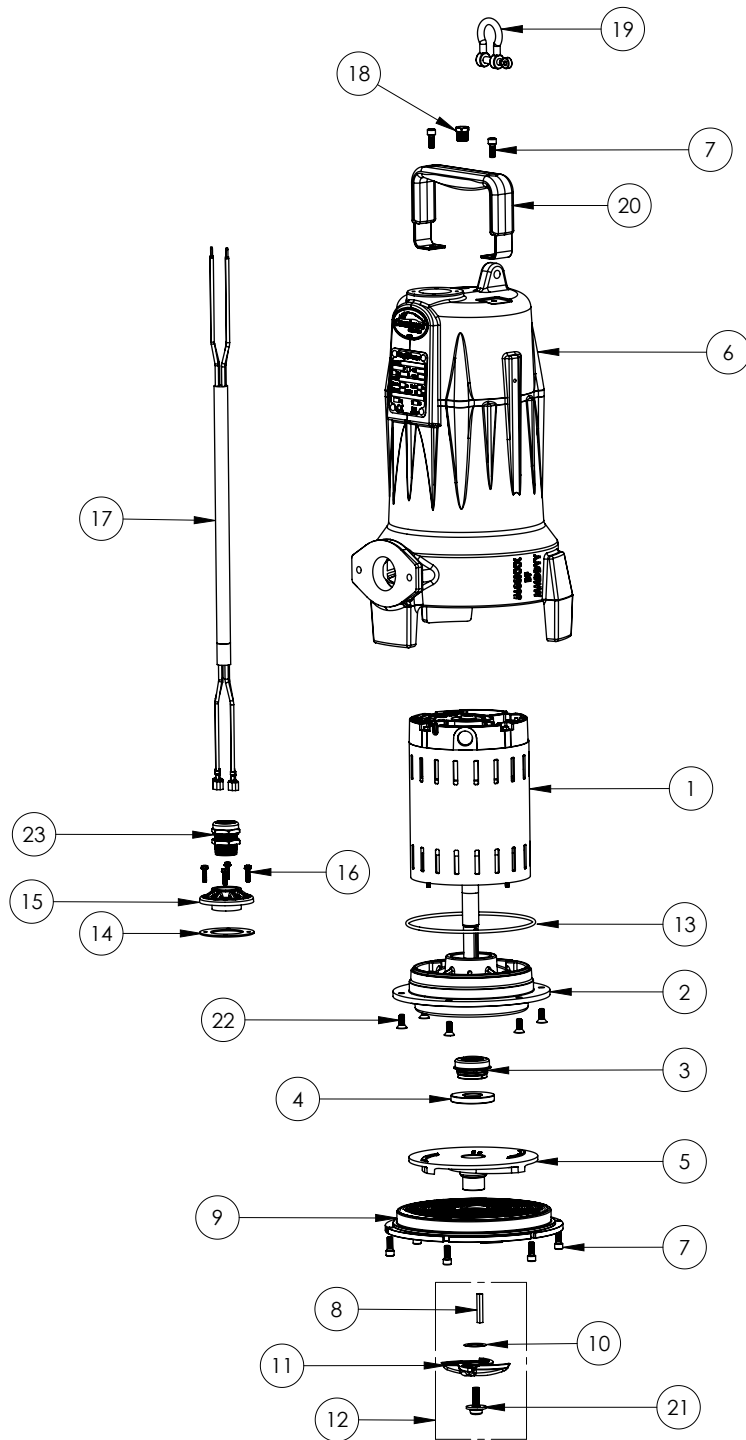
LSG204M**LSG204M (B52)**

#	PART #	DESCRIPTION	QTY	Note
1	5446000	MOTOR, LSG, 460V 3PH	1	
2	5632000	MOTOR PLATE	1	[1]
3	5633000	3/4" UNITIZED SHAFT SEAL	1	[1]
4	5618000	DOUBLE LIP SEAL	1	[1]
5	K001538	GRINDER IMPELLER KIT	1	
6	560000R	OMNIVORE HOUSING	1	
7	8103000	SCREW 1/4-20x5/8" HX SKT SS	8	
8	56350A0	KEY	1	
9	K001395	CUTTER PLATE	1	
10	K001445	ROTARY CUTTER SHIM KIT	1	
11	5616900	ROTARY CUTTER	1	
12	K001139	ROTARY CUTTER KIT	1	[2]
13	5617000	O-RING	1	
14	5060000	CORD PLATE GASKET	1	
15	5629000	GRINDER CORDPLATE	1	
16	8064000	#8-32 x 5/8 HEX WASHER HEAD SCREW	4	
17	K001357	POWER CORD, 25FT	1	
18	50710A0	PIPE PLUG, 1/4" HEX HD BRASS NPTF	1	
19	5611000	SHACKLE	1	
20	5613000	HANDLE	1	
21	56360A0	FLANGED IMPELLER BOLT	1	
22	8018000	1/4-20 x 5/8 SLOTTED FLAT HEAD BOLT	6	

PART NOTES:

- [1] - Part requires factory authorized service. Contact Liberty Pumps at 1-800-543-2550
- [2] - ForLSG GrinderCutter Replacment Instructions see LSG Grinder Cutter Replacement

LSG204M-3E (B84)



LSG204M-3E

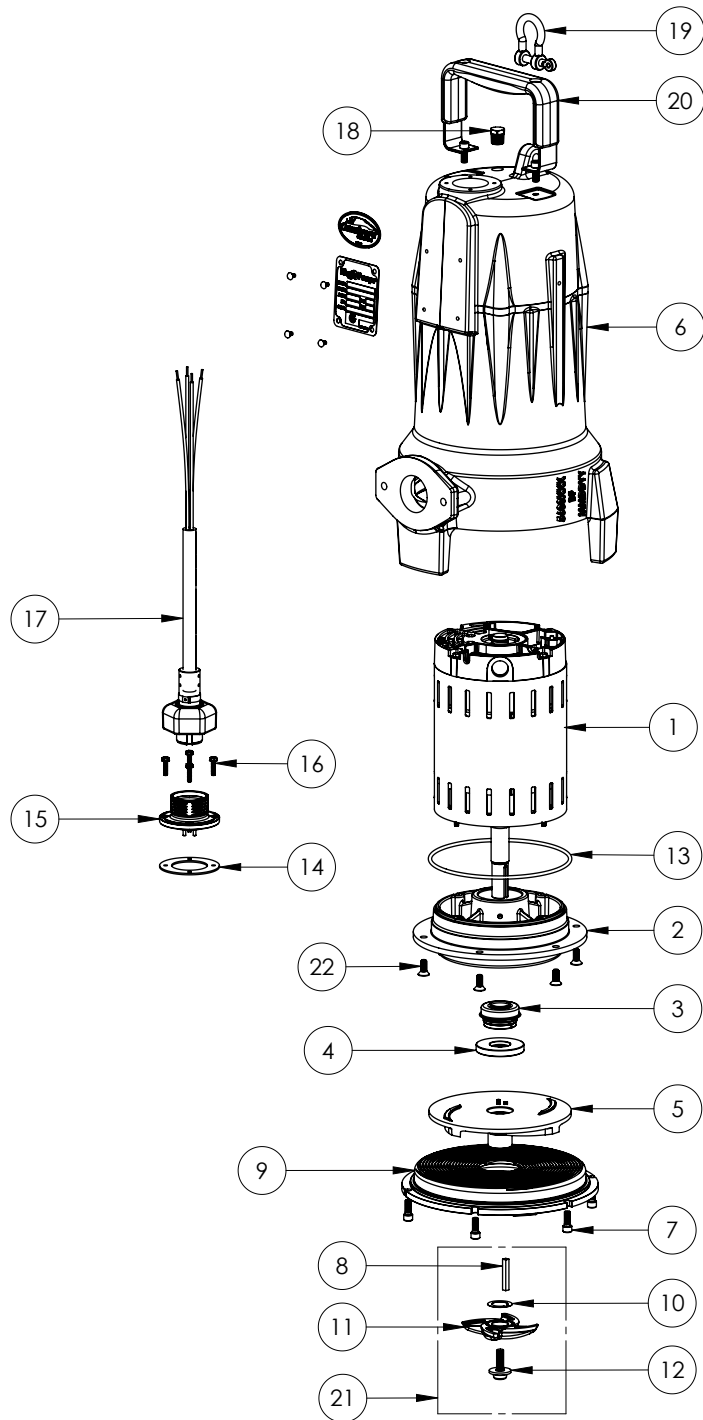
LSG204M-3E (B84)

#	PART #	DESCRIPTION	QTY	Note
1	5628000	MOTOR	1	[1]
2	5632000	MOTOR PLATE	1	[1]
3	5633000	3/4" UNITIZED SHAFT SEAL	1	[1]
4	5618000	DOUBLE LIP SEAL	1	[1]
5	K001538	GRINDER IMPELLER KIT	1	
6	560000R	OMNIVORE HOUSING	1	
7	8103000	SCREW 1/4-20x5/8" HX SKT SS	8	
8	56350A0	KEY	1	
9	K001395	CUTTER PLATE	1	
10	K001445	ROTARY CUTTER SHIM KIT	1	
11	5616900	ROTARY CUTTER	1	
12	K001139	ROTARY CUTTER KIT	1	[2]
13	5617000	O-RING	1	
14	5060000	CORD PLATE GASKET	1	
15	57890AR	PAINTED 3/4 NPT, CE CORD PLATE	1	
16	8064000	#8-32 x 5/8 HEX WASHER HEAD SCREW	4	
17	K001419	IEC 3PH 10M CORD KIT	1	
18	5071000	BRASS OIL PLUG	1	
19	5611000	SHACKLE	1	
20	5613000	HANDLE	1	
21	56360A0	FLANGED IMPELLER BOLT	1	
22	8018000	1/4-20 x 5/8 SLOTTED FLAT HEAD BOLT	6	

PART NOTES:

- [1] - Part requires factory authorized service. Contact Liberty Pumps at 1-800-543-2550
- [2] - ForLSG GrinderCutter Replacment Instructions see LSG Grinder Cutter Replacement

LSG205M (B52)



LSG205M**LSG205M (B52)**

#	PART #	DESCRIPTION	QTY	Note
1	5612000	MOTOR, 2HP, 575V, 1 STAGE	1	[1]
2	5632000	MOTOR PLATE	1	[1]
3	5633000	3/4" UNITIZED SHAFT SEAL	1	[1]
4	5618000	DOUBLE LIP SEAL	1	[1]
5	K001538	GRINDER IMPELLER KIT	1	
6	560000R	OMNIVORE HOUSING	1	
7	8103000	SCREW 1/4-20x5/8" HX SKT SS	8	
8	56350A0	KEY	1	
9	K001395	CUTTER PLATE	1	
10	K001445	ROTARY CUTTER SHIM KIT	1	
11	5616900	ROTARY CUTTER	1	
12	56360A0	FLANGED IMPELLER BOLT	1	
13	5617000	O-RING	1	
14	5060000	CORD PLATE GASKET	1	
15	5629000	GRINDER CORDPLATE	1	
16	8064000	#8-32 x 5/8 HEX WASHER HEAD SCREW	4	
17	K001357	POWER CORD, 25FT	1	
18	50710A0	PIPE PLUG, 1/4" HEX HD BRASS NPTF	1	
19	5611000	SHACKLE	1	
20	5613000	HANDLE	1	
21	K001139	ROTARY CUTTER KIT	1	[2]
22	8018000	1/4-20 x 5/8 SLOTTED FLAT HEAD BOLT	6	

PART NOTES:

- [1] - Part requires factory authorized service. Contact Liberty Pumps at 1-800-543-2550
- [2] - ForLSG GrinderCutter Replacment Instructions see LSG Grinder Cutter Replacement