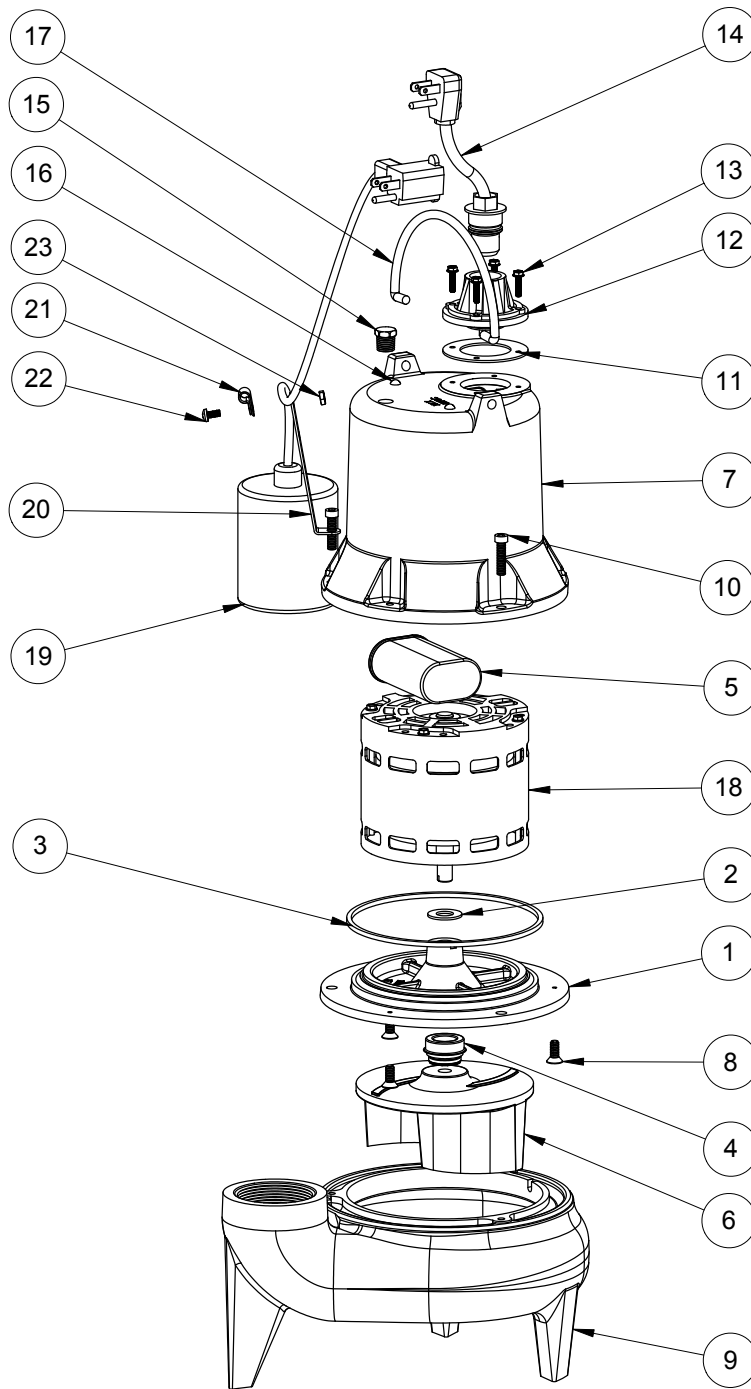


LE52A (B10)



LE52A**LE52A (B10)**

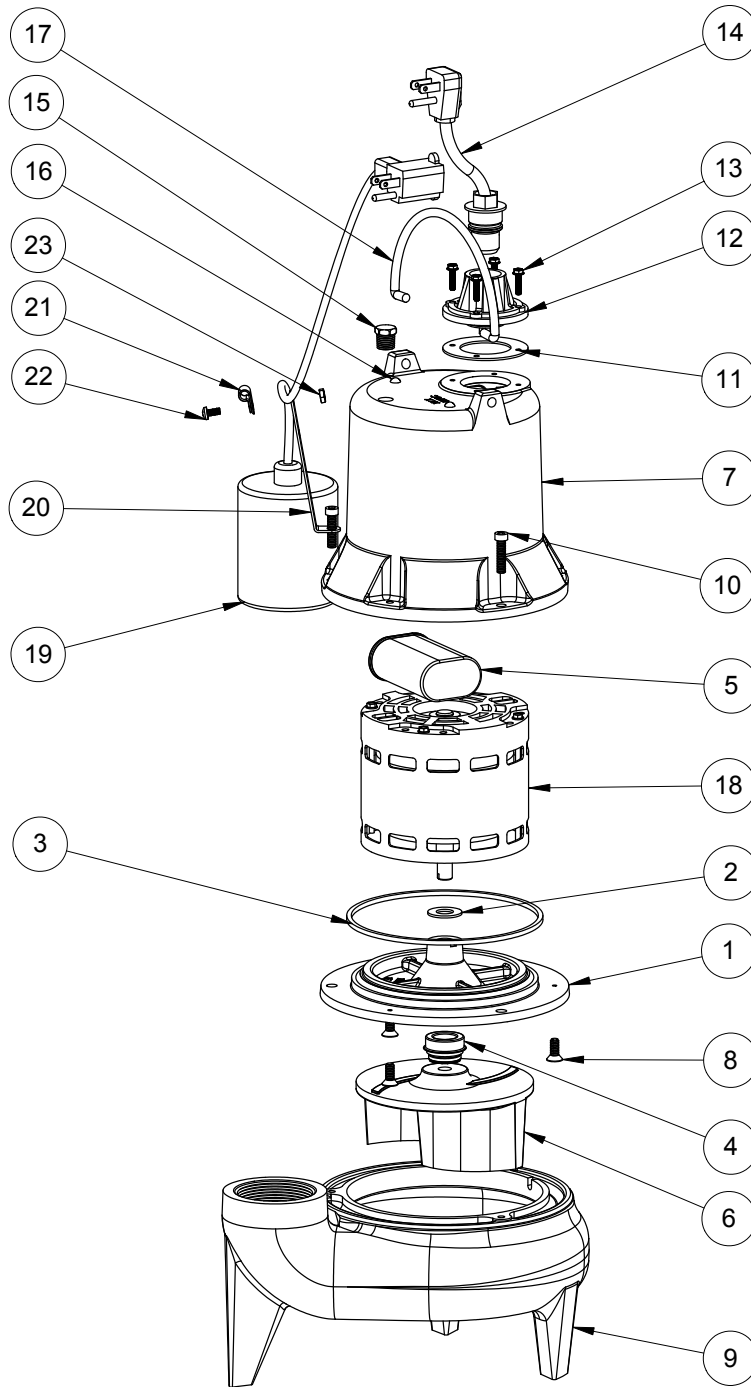
#	PART #	DESCRIPTION	QTY	Note
1	5052000	MOTOR SUPPORT PLATE	1	
2	5395000	THRUST WASHER	1	
3	5066000	SEALRING, MOTOR COVER, #254S	1	[1]
4	5098000	1/2 INCH UNITIZED SEAL	1	
5	51930C0	CAPACITOR	1	
6	K001039	IMPELLER	1	
7	527800R	MOTOR CAP	1	
8	8018000	1/4-20 x 5/8 SLOTTED FLAT HEAD BOLT	3	
9	545100R	HOUSING, VOLUTE	1	
10	8091000	1/4-20 x 1 HEX SOCKET HEAD BOLT	3	
11	5060000	CORD PLATE GASKET	1	
12	5014000	CORD PLATE	1	
13	8064000	#8-32 x 5/8 HEX WASHER HEAD SCREW	4	
14	K001058	POWER CORD, 10FT. 230V	1	
15	5071000	BRASS OIL PLUG	1	
16	8033000	#8 x 1/4 STAINLESS STEEL SCREW	2	
17	K001095	STAINLESS STEEL HANDLE	1	
18	5195000	MOTOR .5HP PSC 230V	1	
19	K001019	61140A0 PUMP SWITCH, 10' 230V, INCLUDES MOUNTING HARDWARE	1	
20	5070000	FLOAT SWITCH SUPPORT	1	
21	8014000	CABLE CLAMP	1	
22	8082000	#10-24 x 3/8 EPOXY LOCK SCREW	1	
23	8002000	#10-24 STAINLESS STEEL HEX	1	

PART NOTES:

[1] - Part requires factory authorized service. Contact Liberty Pumps at 1-800-543-2550

LE52A

LE52A (B20)



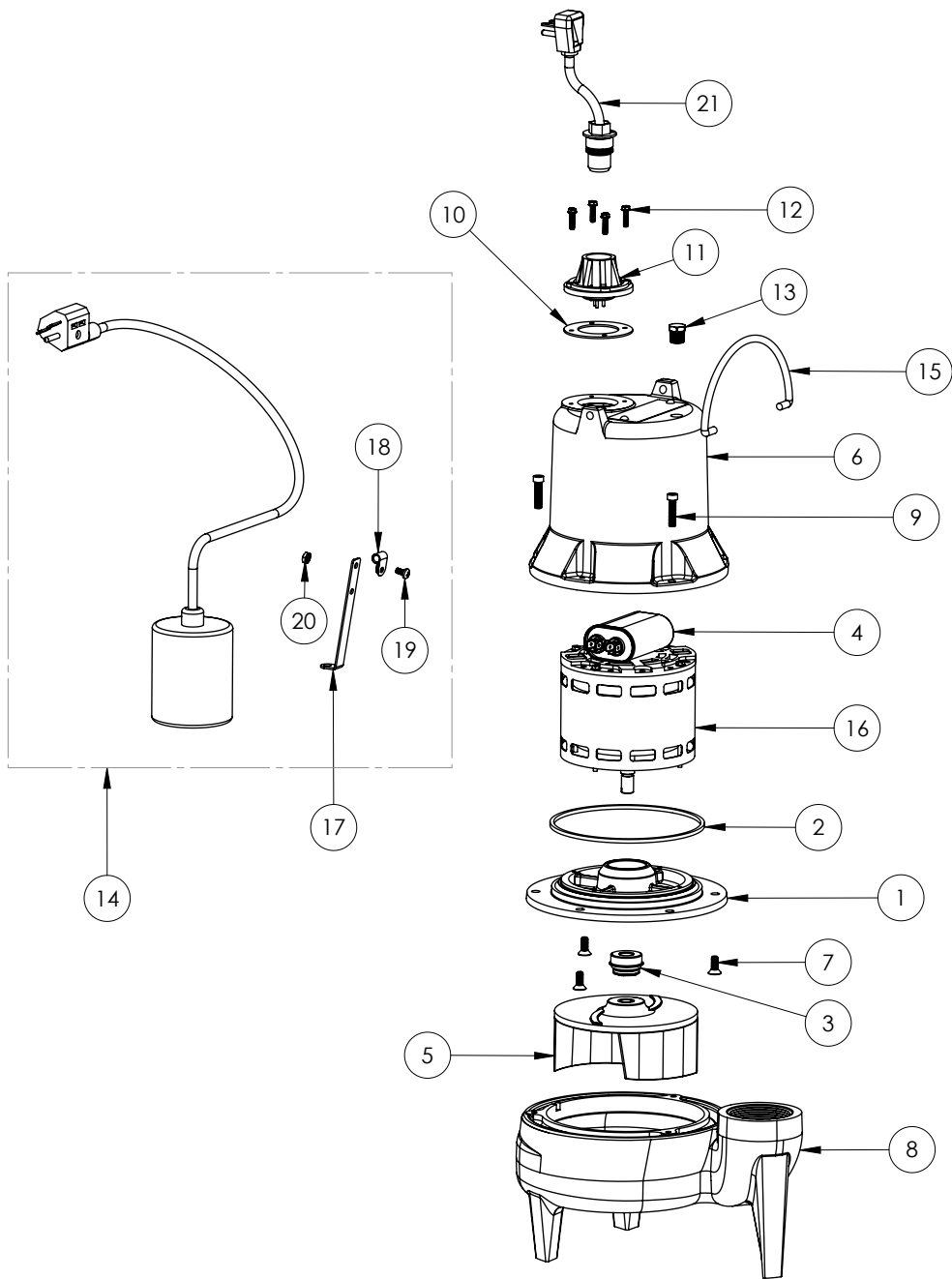
LE52A**LE52A (B20)**

#	PART #	DESCRIPTION	QTY	Note
1	5052000	MOTOR SUPPORT PLATE	1	
2	5395000	THRUST WASHER	1	
3	5066000	SEALRING, MOTOR COVER, #254S	1	[1]
4	50980A0	1/2 INCH UNITIZED SEAL	1	[1]
5	51930C0	CAPACITOR	1	
6	K001039	IMPELLER	1	
7	527800R	MOTOR CAP	1	
8	8018000	1/4-20 x 5/8 SLOTTED FLAT HEAD BOLT	3	
9	545100R	HOUSING, VOLUTE	1	
10	8091000	1/4-20 x 1 HEX SOCKET HEAD BOLT	3	
11	5060000	CORD PLATE GASKET	1	
12	5014000	CORD PLATE	1	
13	8064000	#8-32 x 5/8 HEX WASHER HEAD SCREW	4	
14	K001058	POWER CORD, 10FT. 230V	1	
15	5071000	BRASS OIL PLUG	1	
16	8033000	#8 x 1/4 STAINLESS STEEL SCREW	2	
17	K001095	STAINLESS STEEL HANDLE	1	
18	5195000	MOTOR .5HP PSC 230V	1	
19	K001019	61140A0 PUMP SWITCH, 10' 230V, INCLUDES MOUNTING HARDWARE	1	
20	5070000	FLOAT SWITCH SUPPORT	1	
21	8014000	CABLE CLAMP	1	
22	8082000	#10-24 x 3/8 EPOXY LOCK SCREW	1	
23	8002000	#10-24 STAINLESS STEEL HEX	1	

PART NOTES:

[1] - Part requires factory authorized service. Contact Liberty Pumps at 1-800-543-2550

LE52A (B42)



LE52A**LE52A (B42)**

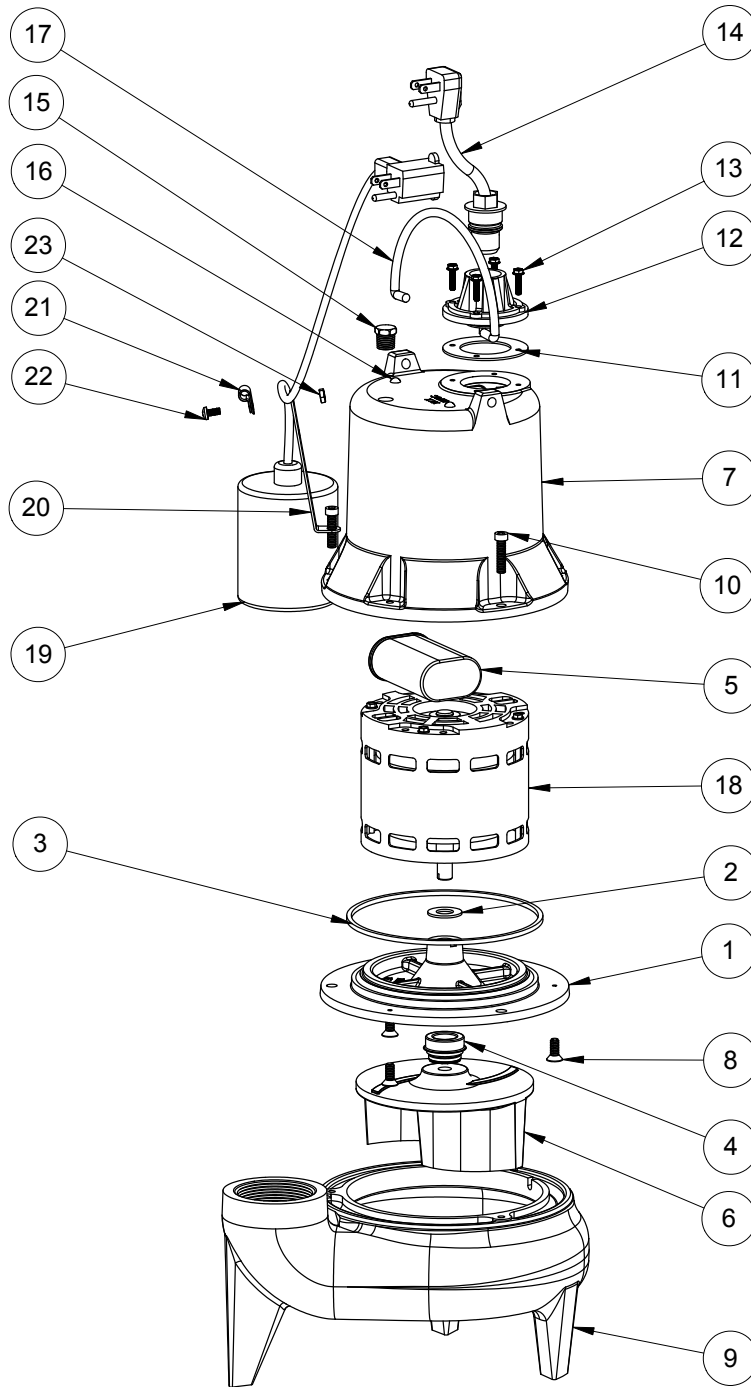
#	PART #	DESCRIPTION	QTY	Note
1	509200R	MOTOR SUPPORT PLATE	1	
2	5066000	SEALRING, MOTOR COVER, #254S	1	[1]
3	50980A0	1/2 INCH UNITIZED SEAL	1	[1]
4	51930E0	CAPACITOR	1	
5	K001039	IMPELLER	1	
6	527800R	MOTOR CAP	1	
7	8018000	1/4-20 x 5/8 SLOTTED FLAT HEAD BOLT	3	
8	545100R	HOUSING, VOLUTE	1	
9	8091000	1/4-20 x 1 HEX SOCKET HEAD BOLT	3	
10	5060000	CORD PLATE GASKET	1	
11	5014000	CORD PLATE	1	
12	8064000	#8-32 x 5/8 HEX WASHER HEAD SCREW	4	
13	5071000	BRASS OIL PLUG	1	
14	K001019	61140A0 PUMP SWITCH, 10' 230V, INCLUDES MOUNTING HARDWARE	1	
15	K001095	STAINLESS STEEL HANDLE	1	
16	51982A0	MOTOR .5HP PSC 230V	1	[1]
17	5070000	FLOAT SWITCH SUPPORT	1	
18	8014000	CABLE CLAMP	1	
19	8082000	#10-24 x 3/8 EPOXY LOCK SCREW	1	
20	8002000	#10-24 STAINLESS STEEL HEX	1	
21	K001058	POWER CORD, 10FT. 230V	1	

PART NOTES:

[1] - Part requires factory authorized service. Contact Liberty Pumps at 1-800-543-2550

LE52A-2

LE52A-2 (B10)



LE52A-2**LE52A-2 (B10)**

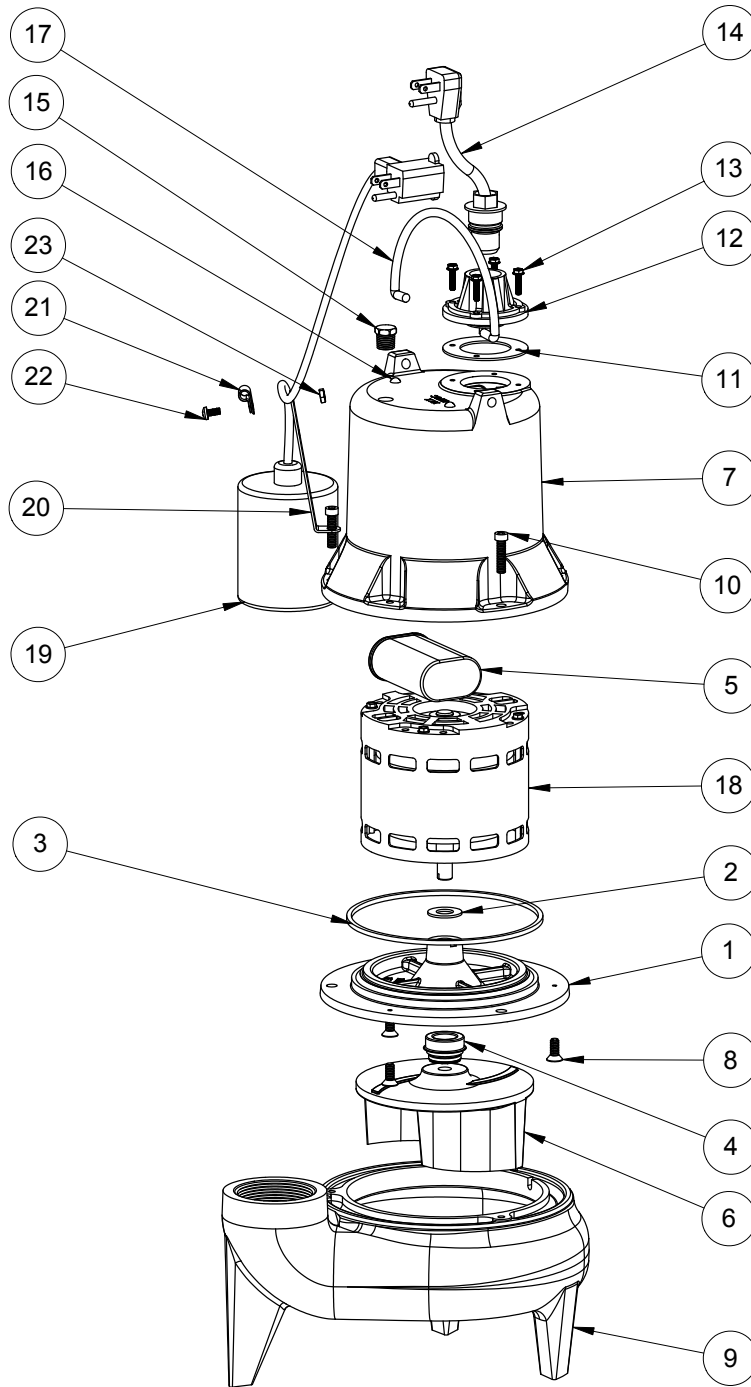
#	PART #	DESCRIPTION	QTY	Note
1	5052000	MOTOR SUPPORT PLATE	1	
2	5395000	THRUST WASHER	1	
3	5066000	SEALRING, MOTOR COVER, #254S	1	[1]
4	5098000	1/2 INCH UNITIZED SEAL	1	
5	51930C0	CAPACITOR	1	
6	K001039	IMPELLER	1	
7	527800R	MOTOR CAP	1	
8	8018000	1/4-20 x 5/8 SLOTTED FLAT HEAD BOLT	3	
9	545100R	HOUSING, VOLUTE	1	
10	8091000	1/4-20 x 1 HEX SOCKET HEAD BOLT	3	
11	5060000	CORD PLATE GASKET	1	
12	5014000	CORD PLATE	1	
13	8064000	#8-32 x 5/8 HEX WASHER HEAD SCREW	4	
14	K001059	POWER CORD, 230V, 25 FOOT CORD	1	
15	5071000	BRASS OIL PLUG	1	
16	8033000	#8 x 1/4 STAINLESS STEEL SCREW	2	
17	K001095	STAINLESS STEEL HANDLE	1	
18	5195000	MOTOR .5HP PSC 230V	1	
19	K001062	PUMP SWITCH, 25FT. INCLUDES MOUNTING HARDWARE	1	
20	5070000	FLOAT SWITCH SUPPORT	1	
21	8014000	CABLE CLAMP	1	
22	8082000	#10-24 x 3/8 EPOXY LOCK SCREW	1	
23	8002000	#10-24 STAINLESS STEEL HEX	1	

PART NOTES:

[1] - Part requires factory authorized service. Contact Liberty Pumps at 1-800-543-2550

LE52A-2

LE52A-2 (B20)



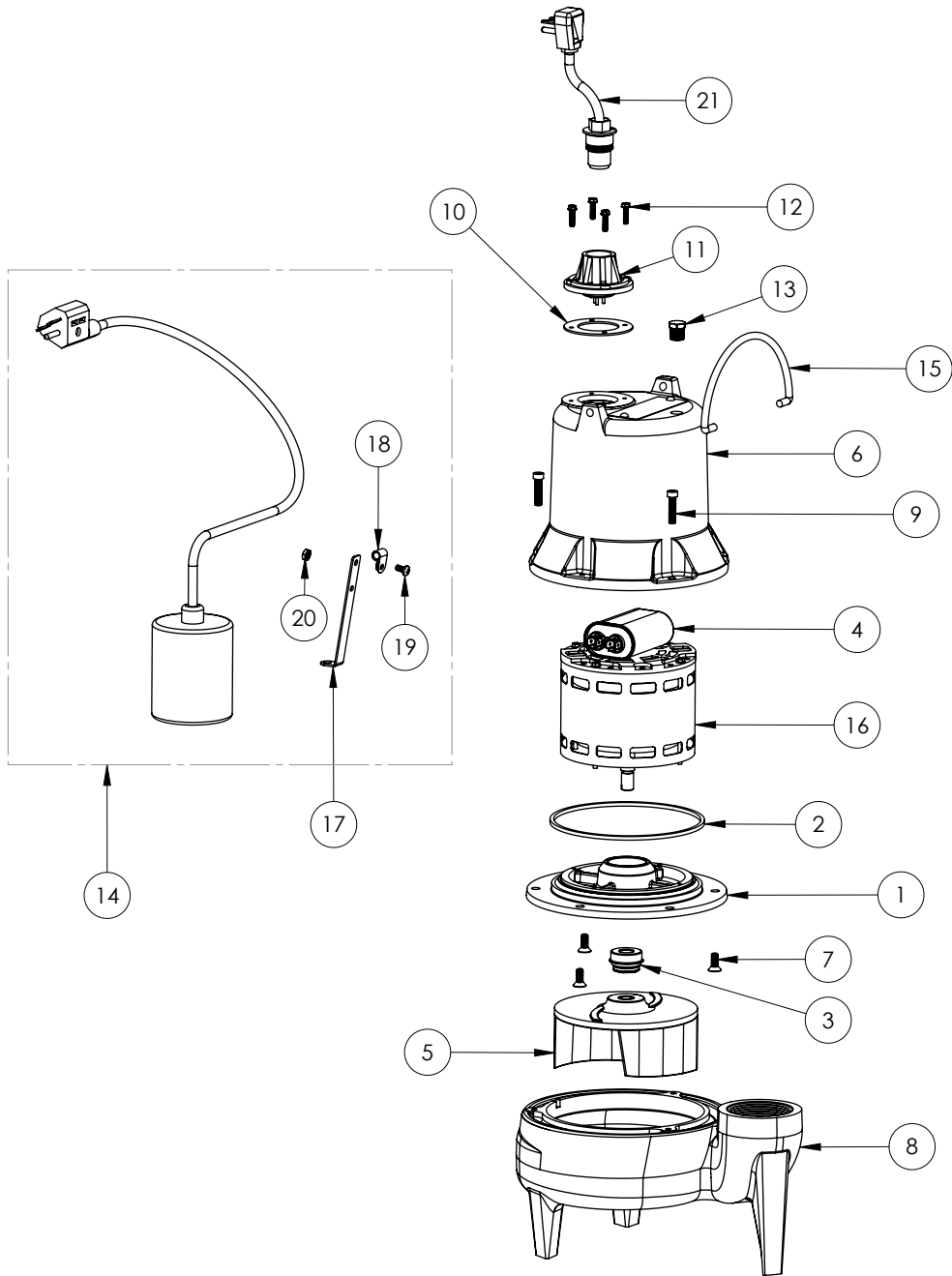
LE52A-2**LE52A-2 (B20)**

#	PART #	DESCRIPTION	QTY	Note
1	5052000	MOTOR SUPPORT PLATE	1	
2	5395000	THRUST WASHER	1	
3	5066000	SEALRING, MOTOR COVER, #254S	1	[1]
4	50980A0	1/2 INCH UNITIZED SEAL	1	[1]
5	51930C0	CAPACITOR	1	
6	K001039	IMPELLER	1	
7	527800R	MOTOR CAP	1	
8	8018000	1/4-20 x 5/8 SLOTTED FLAT HEAD BOLT	3	
9	545100R	HOUSING, VOLUTE	1	
10	8091000	1/4-20 x 1 HEX SOCKET HEAD BOLT	3	
11	5060000	CORD PLATE GASKET	1	
12	5014000	CORD PLATE	1	
13	8064000	#8-32 x 5/8 HEX WASHER HEAD SCREW	4	
14	K001059	POWER CORD, 230V, 25 FOOT CORD	1	
15	5071000	BRASS OIL PLUG	1	
16	8033000	#8 x 1/4 STAINLESS STEEL SCREW	2	
17	K001095	STAINLESS STEEL HANDLE	1	
18	5195000	MOTOR .5HP PSC 230V	1	
19	K001062	PUMP SWITCH, 25FT. INCLUDES MOUNTING HARDWARE	1	
20	5070000	FLOAT SWITCH SUPPORT	1	
21	8014000	CABLE CLAMP	1	
22	8082000	#10-24 x 3/8 EPOXY LOCK SCREW	1	
23	8002000	#10-24 STAINLESS STEEL HEX	1	

PART NOTES:

[1] - Part requires factory authorized service. Contact Liberty Pumps at 1-800-543-2550

LE52A-2 (B42)



LE52A-2**LE52A-2 (B42)**

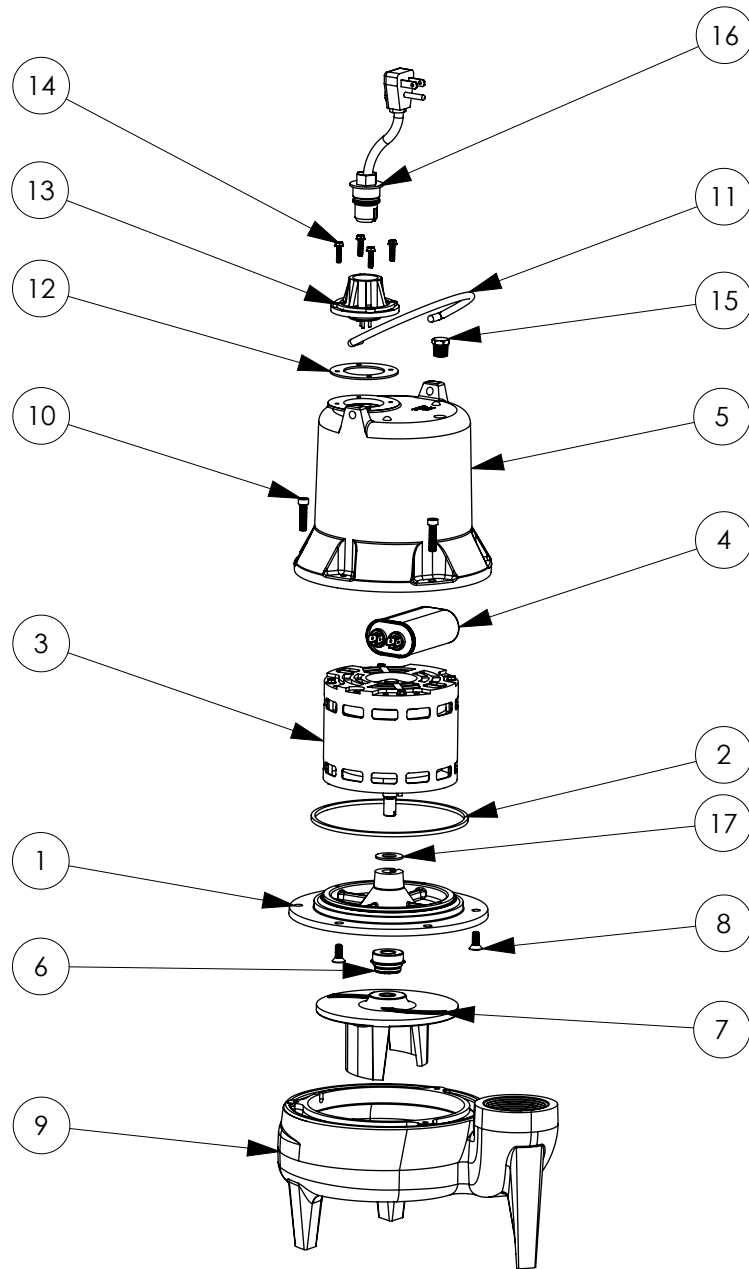
#	PART #	DESCRIPTION	QTY	Note
1	509200R	MOTOR SUPPORT PLATE	1	
2	5066000	SEALRING, MOTOR COVER, #254S	1	[1]
3	50980A0	1/2 INCH UNITIZED SEAL	1	[1]
4	51930E0	CAPACITOR	1	
5	K001039	IMPELLER	1	
6	527800R	MOTOR CAP	1	
7	8018000	1/4-20 x 5/8 SLOTTED FLAT HEAD BOLT	3	
8	545100R	HOUSING, VOLUTE	1	
9	8091000	1/4-20 x 1 HEX SOCKET HEAD BOLT	3	
10	5060000	CORD PLATE GASKET	1	
11	5014000	CORD PLATE	1	
12	8064000	#8-32 x 5/8 HEX WASHER HEAD SCREW	4	
13	5071000	BRASS OIL PLUG	1	
14	K001062	PUMP SWITCH, 25FT. INCLUDES MOUNTING HARDWARE	1	
15	K001095	STAINLESS STEEL HANDLE	1	
16	51982A0	MOTOR .5HP PSC 230V	1	[1]
17	5070000	FLOAT SWITCH SUPPORT	1	
18	8014000	CABLE CLAMP	1	
19	8082000	#10-24 x 3/8 EPOXY LOCK SCREW	1	
20	8002000	#10-24 STAINLESS STEEL HEX	1	
21	K001059	POWER CORD, 230V, 25 FOOT CORD	1	

PART NOTES:

[1] - Part requires factory authorized service. Contact Liberty Pumps at 1-800-543-2550

LE52LP

LE52LP (B10)



LE52LP

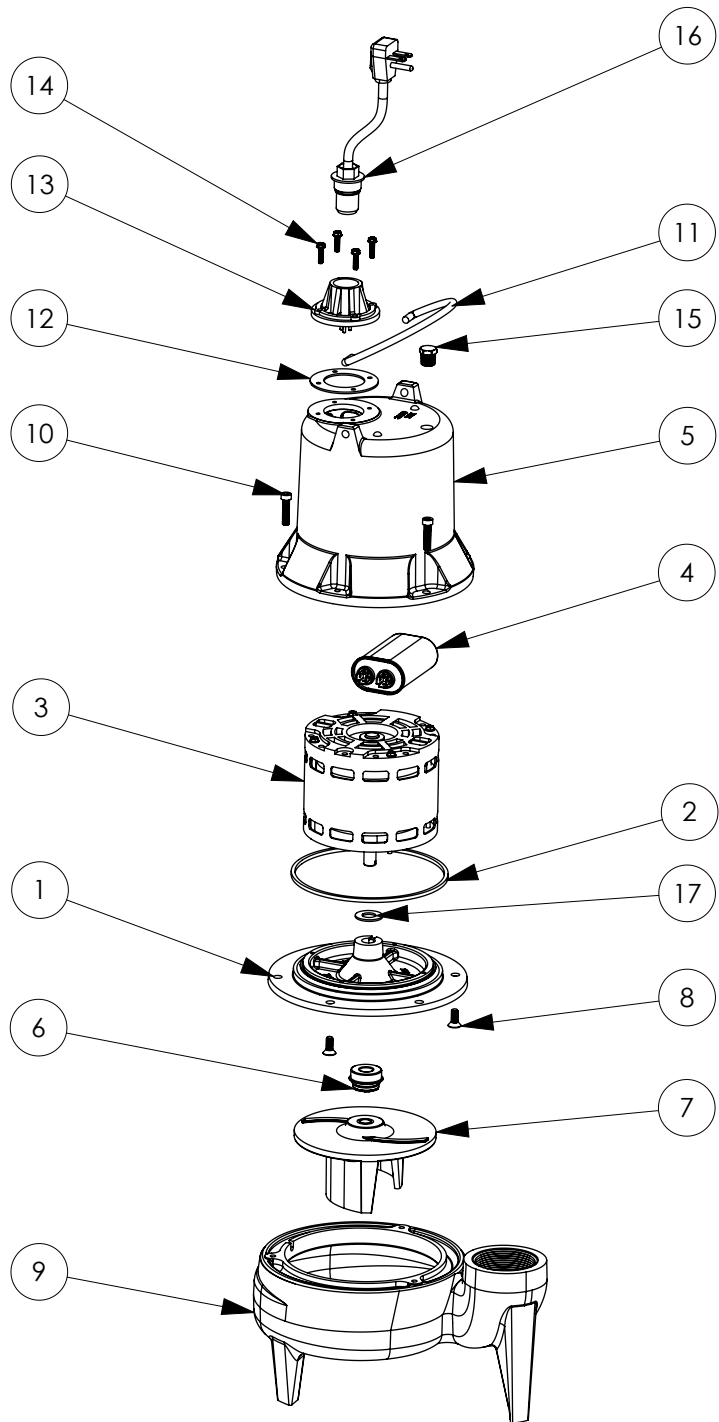
LE52LP (B10)

#	PART #	DESCRIPTION	QTY	Note
1	505200R	MOTOR SUPPORT PLATE	1	
2	5066000	SEALRING, MOTOR COVER, #254S	1	[1]
3	5195000	MOTOR .5HP PSC 230V	1	
4	51930C0	CAPACITOR	1	
5	527800R	MOTOR CAP	1	
6	5098000	1/2 INCH UNITIZED SEAL	1	
7	K001039	IMPELLER	1	
8	8018000	1/4-20 x 5/8 SLOTTED FLAT HEAD BOLT	3	
9	54510AR	VOLUTE	1	
10	8091000	1/4-20 x 1 HEX SOCKET HEAD BOLT	3	
11	K001095	STAINLESS STEEL HANDLE	1	
12	5060000	CORD PLATE GASKET	1	
13	5014000	CORD PLATE	1	
14	8064000	#8-32 x 5/8 HEX WASHER HEAD SCREW	4	
15	5071000	BRASS OIL PLUG	1	
16	K001058	POWER CORD, 10FT. 230V	1	
17	5395000	THRUST WASHER	1	

PART NOTES:

[1] - Part requires factory authorized service. Contact Liberty Pumps at 1-800-543-2550

LE52LP (B20)



LE52LP**LE52LP (B20)**

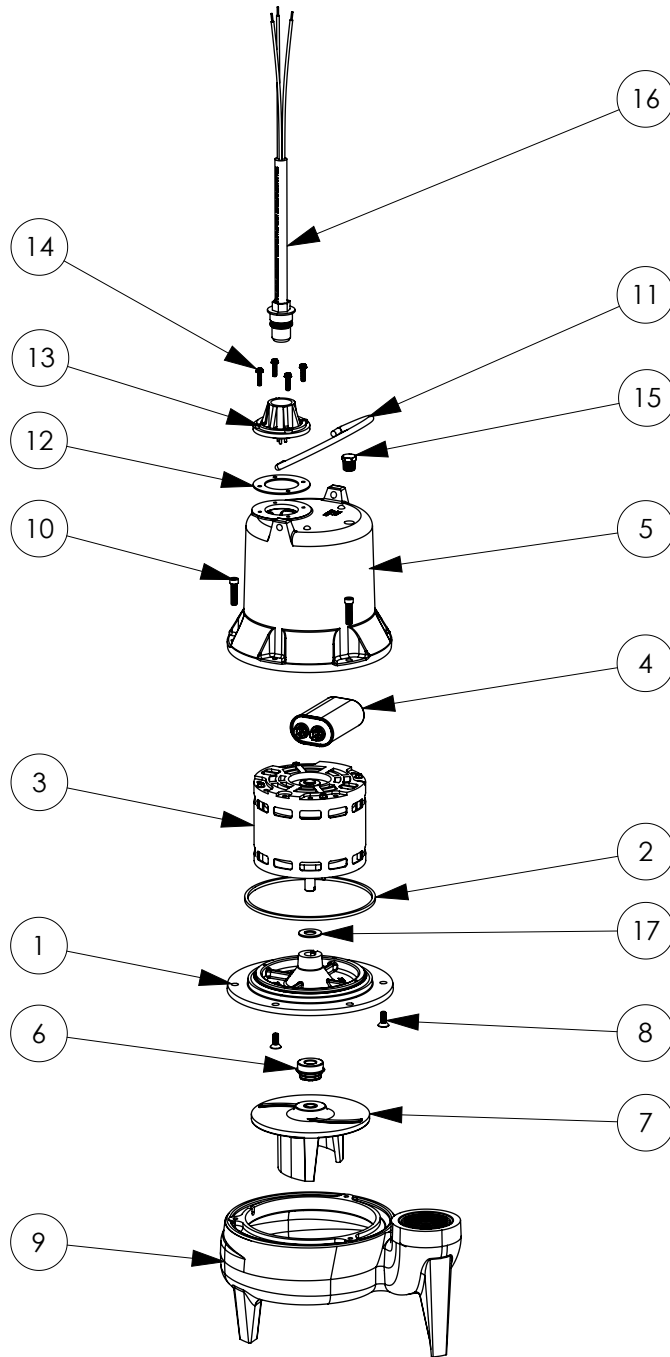
#	PART #	DESCRIPTION	QTY	Note
1	505200R	MOTOR SUPPORT PLATE	1	
2	5066000	SEALRING, MOTOR COVER, #254S	1	[1]
3	5195000	MOTOR .5HP PSC 230V	1	
4	51930C0	CAPACITOR	1	
5	527800R	MOTOR CAP	1	
6	50980A0	1/2 INCH UNITIZED SEAL	1	[1]
7	K001039	IMPELLER	1	
8	8018000	1/4-20 x 5/8 SLOTTED FLAT HEAD BOLT	3	
9	54510AR	VOLUTE	1	
10	8091000	1/4-20 x 1 HEX SOCKET HEAD BOLT	3	
11	K001095	STAINLESS STEEL HANDLE	1	
12	5060000	CORD PLATE GASKET	1	
13	5014000	CORD PLATE	1	
14	8064000	#8-32 x 5/8 HEX WASHER HEAD SCREW	4	
15	5071000	BRASS OIL PLUG	1	
16	K001058	POWER CORD, 10FT. 230V	1	
17	5395000	THRUST WASHER	1	

PART NOTES:

[1] - Part requires factory authorized service. Contact Liberty Pumps at 1-800-543-2550

LE52LPK

LE52LPK (B20)



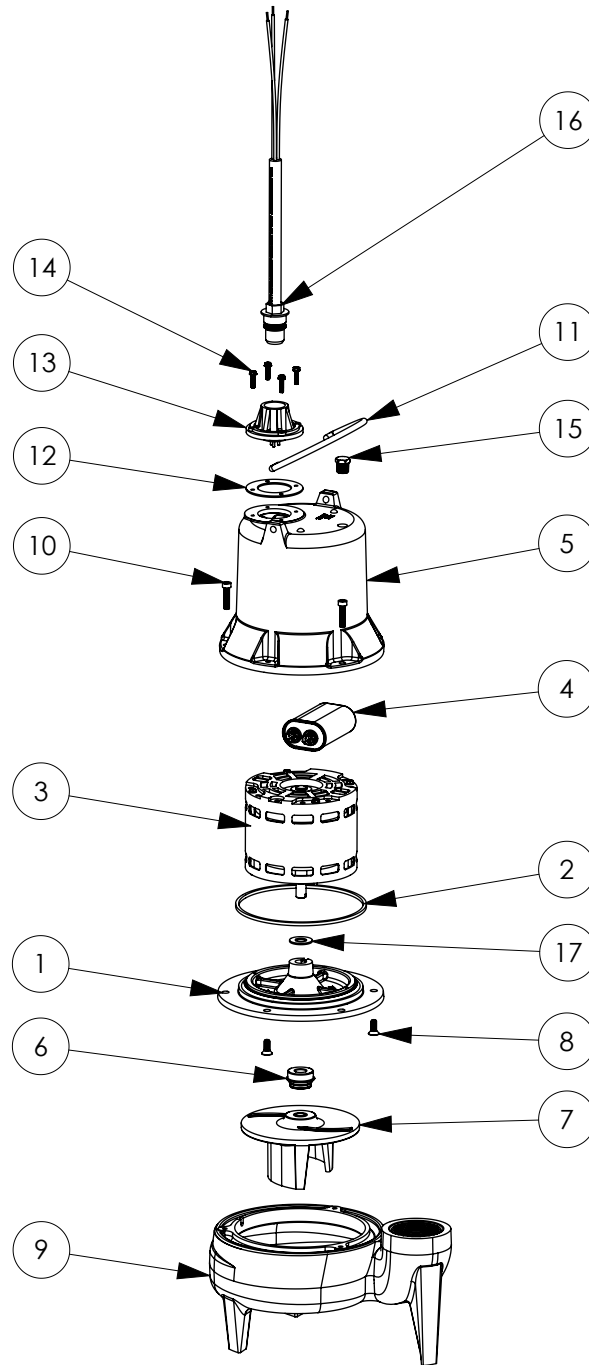
LE52LPK**LE52LPK (B20)**

#	PART #	DESCRIPTION	QTY	Note
1	505200R	MOTOR SUPPORT PLATE	1	
2	5066000	SEALRING, MOTOR COVER, #254S	1	[1]
3	5195000	MOTOR .5HP PSC 230V	1	
4	51930D0	CAPACITOR	1	
5	527800R	MOTOR CAP	1	
6	50980A0	1/2 INCH UNITIZED SEAL	1	[1]
7	K001039	IMPELLER	1	
8	8018000	1/4-20 x 5/8 SLOTTED FLAT HEAD BOLT	3	
9	54510AR	VOLUTE	1	
10	8091000	1/4-20 x 1 HEX SOCKET HEAD BOLT	3	
11	K001095	STAINLESS STEEL HANDLE	1	
12	5060000	CORD PLATE GASKET	1	
13	5014000	CORD PLATE	1	
14	8064000	#8-32 x 5/8 HEX WASHER HEAD SCREW	4	
15	5071000	BRASS OIL PLUG	1	
16	51520A0	POWER CORD 230V 10ft	1	
17	5395000	THRUST WASHER	1	

PART NOTES:

[1] - Part requires factory authorized service. Contact Liberty Pumps at 1-800-543-2550

LE52LPK (B42)



LE52LPK**LE52LPK (B42)**

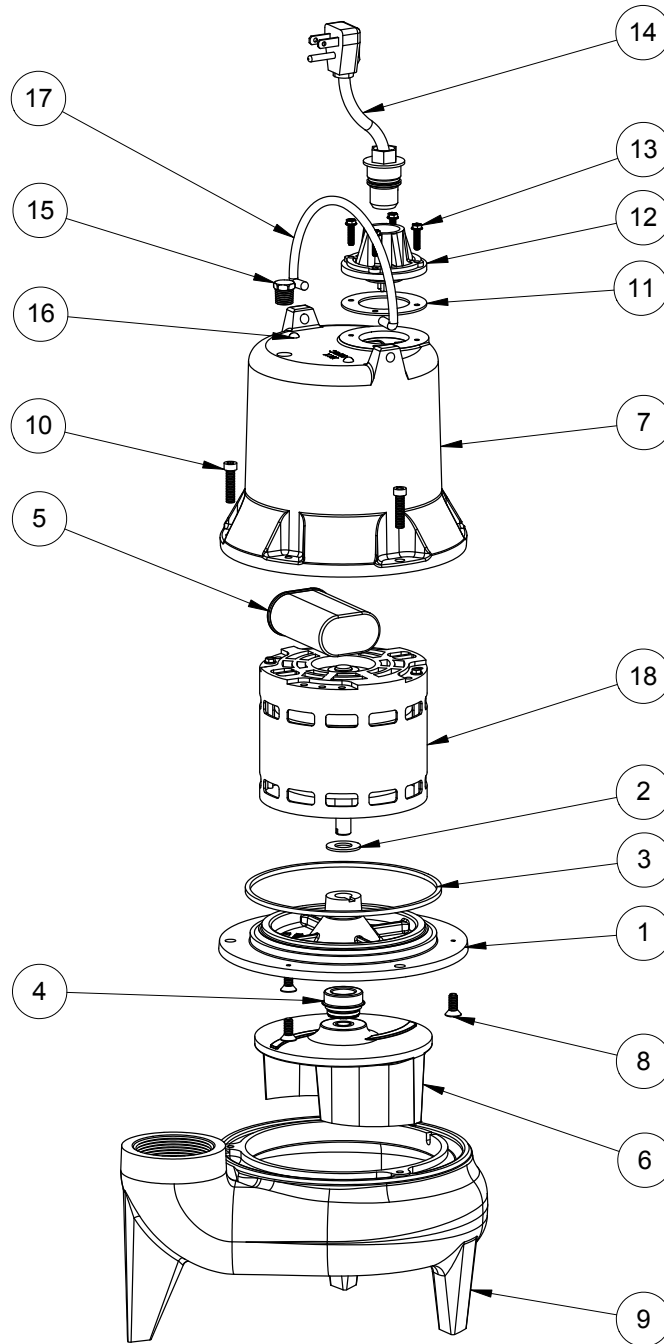
#	PART #	DESCRIPTION	QTY	Note
1	505200R	MOTOR SUPPORT PLATE	1	
2	5066000	SEALRING, MOTOR COVER, #254S	1	[1]
3	51982A0	MOTOR .5HP PSC 230V	1	[1]
4	51930E0	CAPACITOR	1	
5	527800R	MOTOR CAP	1	
6	50980A0	1/2 INCH UNITIZED SEAL	1	[1]
7	K001039	IMPELLER	1	
8	8018000	1/4-20 x 5/8 SLOTTED FLAT HEAD BOLT	3	
9	54510AR	VOLUTE	1	
10	8091000	1/4-20 x 1 HEX SOCKET HEAD BOLT	3	
11	K001095	STAINLESS STEEL HANDLE	1	
12	5060000	CORD PLATE GASKET	1	
13	5014000	CORD PLATE	1	
14	8064000	#8-32 x 5/8 HEX WASHER HEAD SCREW	4	
15	5071000	BRASS OIL PLUG	1	
16	51520A0	POWER CORD 230V 10ft	1	
17	5395000	THRUST WASHER	1	

PART NOTES:

[1] - Part requires factory authorized service. Contact Liberty Pumps at 1-800-543-2550

LE52M

LE52M (B10)



LE52M

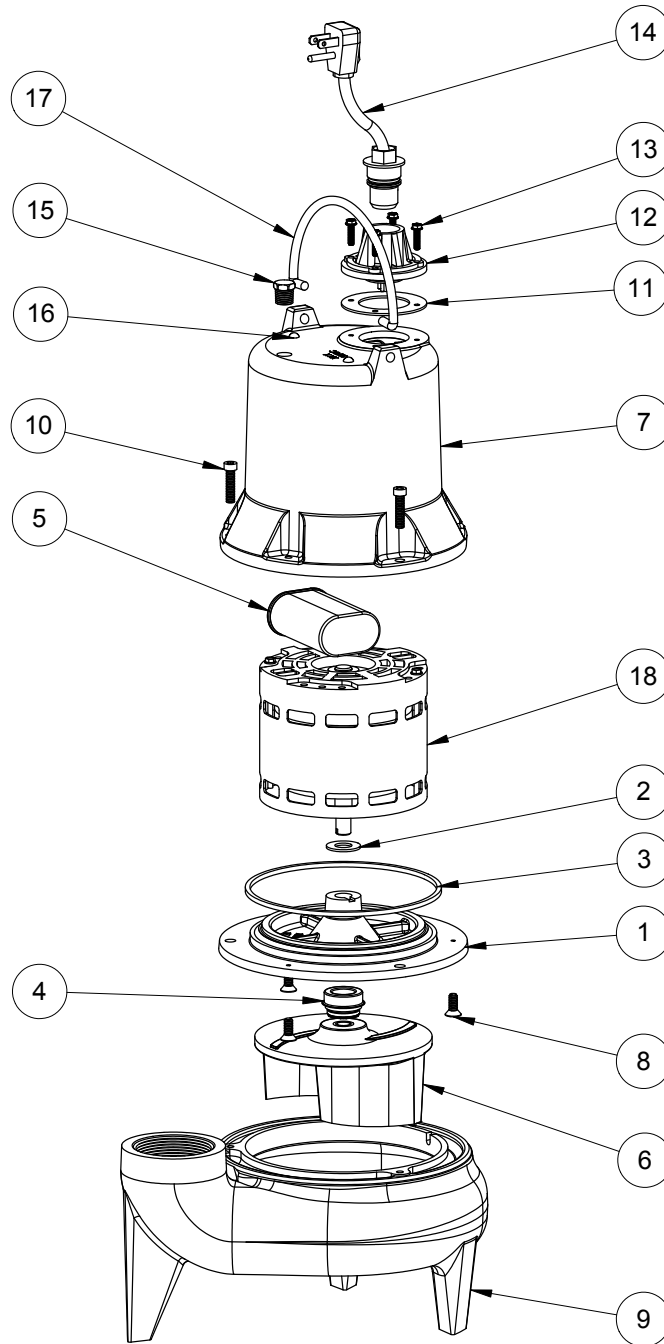
LE52M (B10)

#	PART #	DESCRIPTION	QTY	Note
1	5052000	MOTOR SUPPORT PLATE	1	
2	5395000	THRUST WASHER	1	
3	5066000	SEALRING, MOTOR COVER, #254S	1	[1]
4	5098000	1/2 INCH UNITIZED SEAL	1	
5	51930C0	CAPACITOR	1	
6	K001039	IMPELLER	1	
7	527800R	MOTOR CAP	1	
8	8018000	1/4-20 x 5/8 SLOTTED FLAT HEAD BOLT	3	
9	545100R	HOUSING, VOLUTE	1	
10	8091000	1/4-20 x 1 HEX SOCKET HEAD BOLT	3	
11	5060000	CORD PLATE GASKET	1	
12	5014000	CORD PLATE	1	
13	8064000	#8-32 x 5/8 HEX WASHER HEAD SCREW	4	
14	K001058	POWER CORD, 10FT. 230V	1	
15	5071000	BRASS OIL PLUG	1	
16	8033000	#8 x 1/4 STAINLESS STEEL SCREW	2	
17	K001095	STAINLESS STEEL HANDLE	1	
18	5195000	MOTOR .5HP PSC 230V	1	

PART NOTES:

[1] - Part requires factory authorized service. Contact Liberty Pumps at 1-800-543-2550

LE52M (B20)



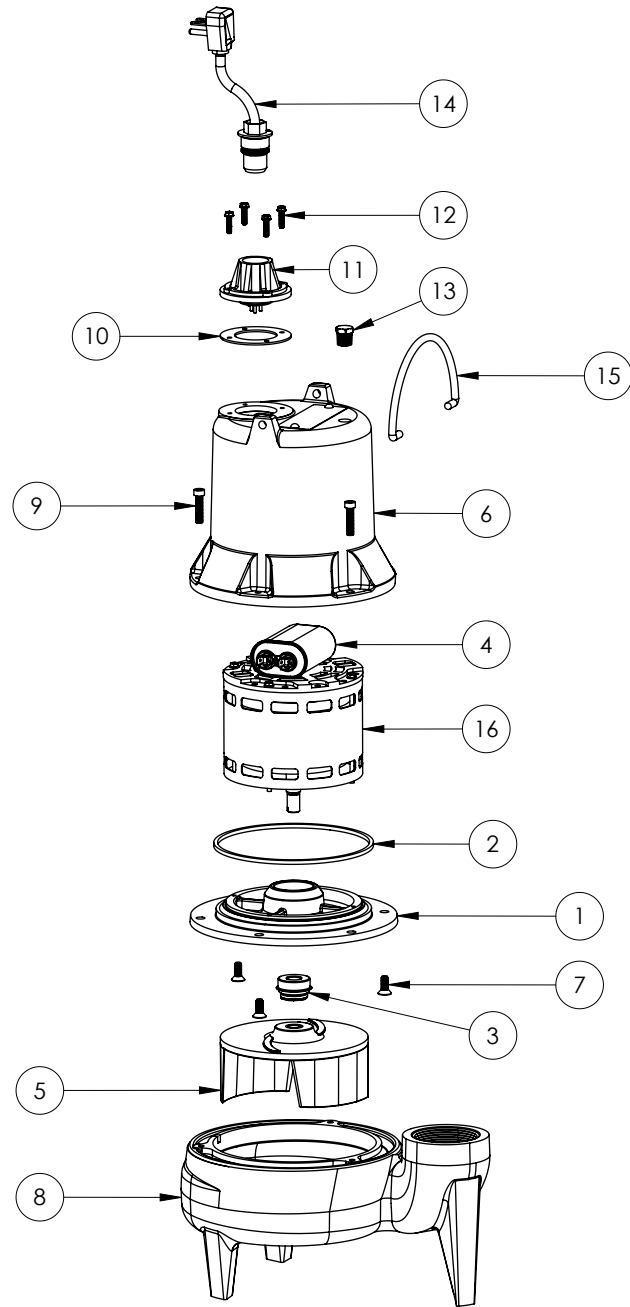
LE52M**LE52M (B20)**

#	PART #	DESCRIPTION	QTY	Note
1	5052000	MOTOR SUPPORT PLATE	1	
2	5395000	THRUST WASHER	1	
3	5066000	SEALRING, MOTOR COVER, #254S	1	[1]
4	5098000	1/2 INCH UNITIZED SEAL	1	
5	51930C0	CAPACITOR	1	
6	K001039	IMPELLER	1	
7	527800R	MOTOR CAP	1	
8	8018000	1/4-20 x 5/8 SLOTTED FLAT HEAD BOLT	3	
9	545100R	HOUSING, VOLUTE	1	
10	8091000	1/4-20 x 1 HEX SOCKET HEAD BOLT	3	
11	5060000	CORD PLATE GASKET	1	
12	5014000	CORD PLATE	1	
13	8064000	#8-32 x 5/8 HEX WASHER HEAD SCREW	4	
14	K001058	POWER CORD, 10FT. 230V	1	
15	5071000	BRASS OIL PLUG	1	
16	8033000	#8 x 1/4 STAINLESS STEEL SCREW	2	
17	K001095	STAINLESS STEEL HANDLE	1	
18	5195000	MOTOR .5HP PSC 230V	1	

PART NOTES:

[1] - Part requires factory authorized service. Contact Liberty Pumps at 1-800-543-2550

LE52M (B42)



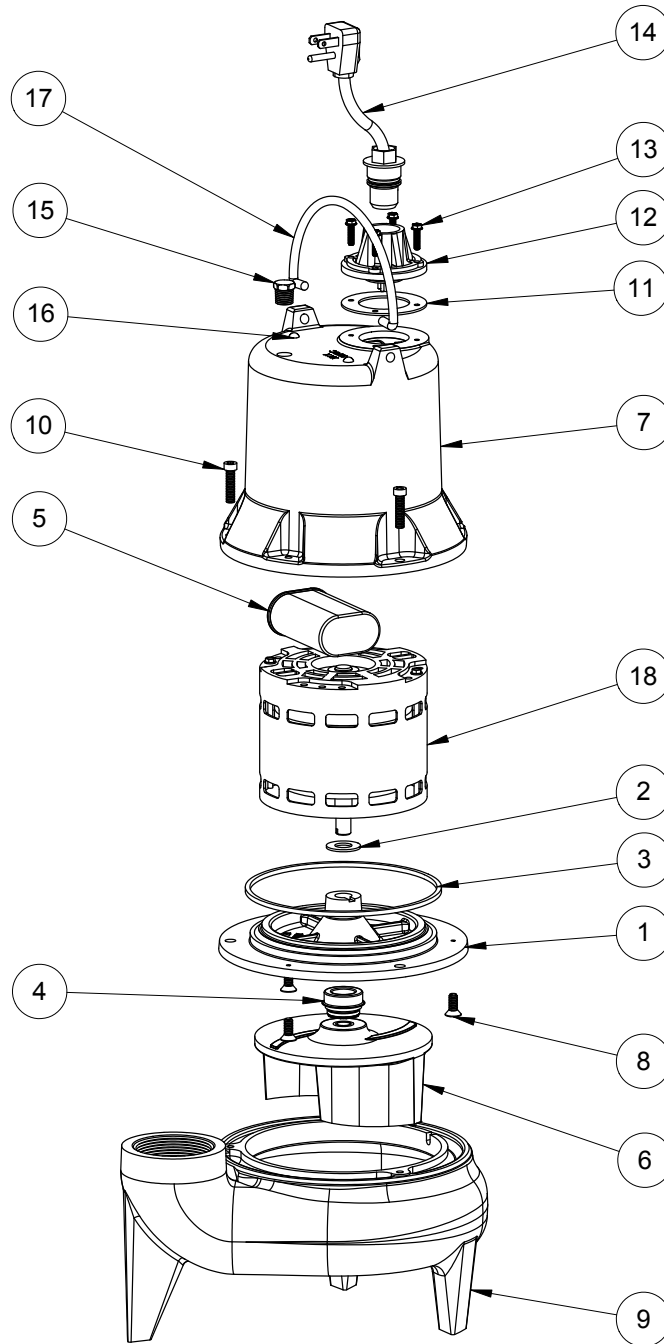
LE52M**LE52M (B42)**

#	PART #	DESCRIPTION	QTY	Note
1	509200R	MOTOR SUPPORT PLATE	1	
2	5066000	SEALRING, MOTOR COVER, #254S	1	[1]
3	50980A0	1/2 INCH UNITIZED SEAL	1	[1]
4	51930E0	CAPACITOR	1	
5	K001039	IMPELLER	1	
6	527800R	MOTOR CAP	1	
7	8018000	1/4-20 x 5/8 SLOTTED FLAT HEAD BOLT	3	
8	545100R	HOUSING, VOLUTE	1	
9	8091000	1/4-20 x 1 HEX SOCKET HEAD BOLT	3	
10	5060000	CORD PLATE GASKET	1	
11	5014000	CORD PLATE	1	
12	8064000	#8-32 x 5/8 HEX WASHER HEAD SCREW	4	
13	5071000	BRASS OIL PLUG	1	
14	K001058	POWER CORD, 10FT. 230V	1	
15	K001095	STAINLESS STEEL HANDLE	1	
16	51982A0	MOTOR .5HP PSC 230V	1	[1]

PART NOTES:

[1] - Part requires factory authorized service. Contact Liberty Pumps at 1-800-543-2550

LE52M-2 (B10)



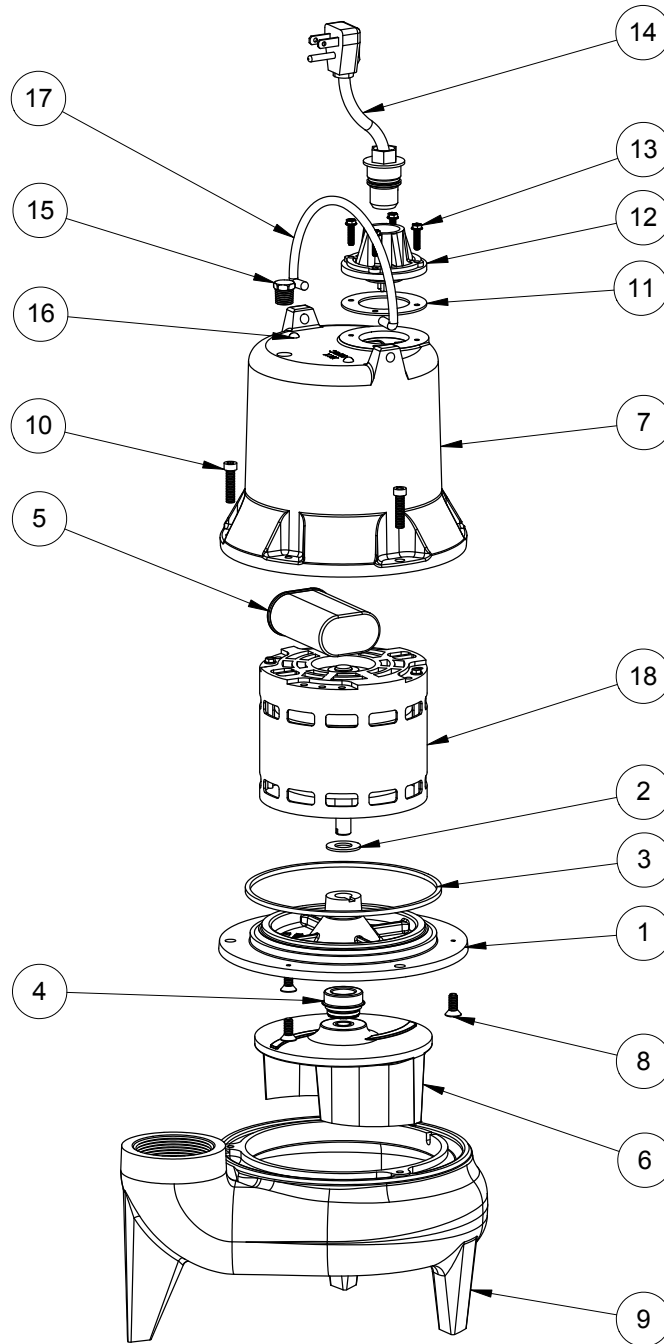
LE52M-2**LE52M-2 (B10)**

#	PART #	DESCRIPTION	QTY	Note
1	5052000	MOTOR SUPPORT PLATE	1	
2	5395000	THRUST WASHER	1	
3	5066000	SEALRING, MOTOR COVER, #254S	1	[1]
4	5098000	1/2 INCH UNITIZED SEAL	1	
5	51930C0	CAPACITOR	1	
6	K001039	IMPELLER	1	
7	527800R	MOTOR CAP	1	
8	8018000	1/4-20 x 5/8 SLOTTED FLAT HEAD BOLT	3	
9	545100R	HOUSING, VOLUTE	1	
10	8091000	1/4-20 x 1 HEX SOCKET HEAD BOLT	3	
11	5060000	CORD PLATE GASKET	1	
12	5014000	CORD PLATE	1	
13	8064000	#8-32 x 5/8 HEX WASHER HEAD SCREW	4	
14	K001059	POWER CORD, 230V, 25 FOOT CORD	1	
15	5071000	BRASS OIL PLUG	1	
16	8033000	#8 x 1/4 STAINLESS STEEL SCREW	2	
17	K001095	STAINLESS STEEL HANDLE	1	
18	5195000	MOTOR .5HP PSC 230V	1	

PART NOTES:

[1] - Part requires factory authorized service. Contact Liberty Pumps at 1-800-543-2550

LE52M-2 (B20)



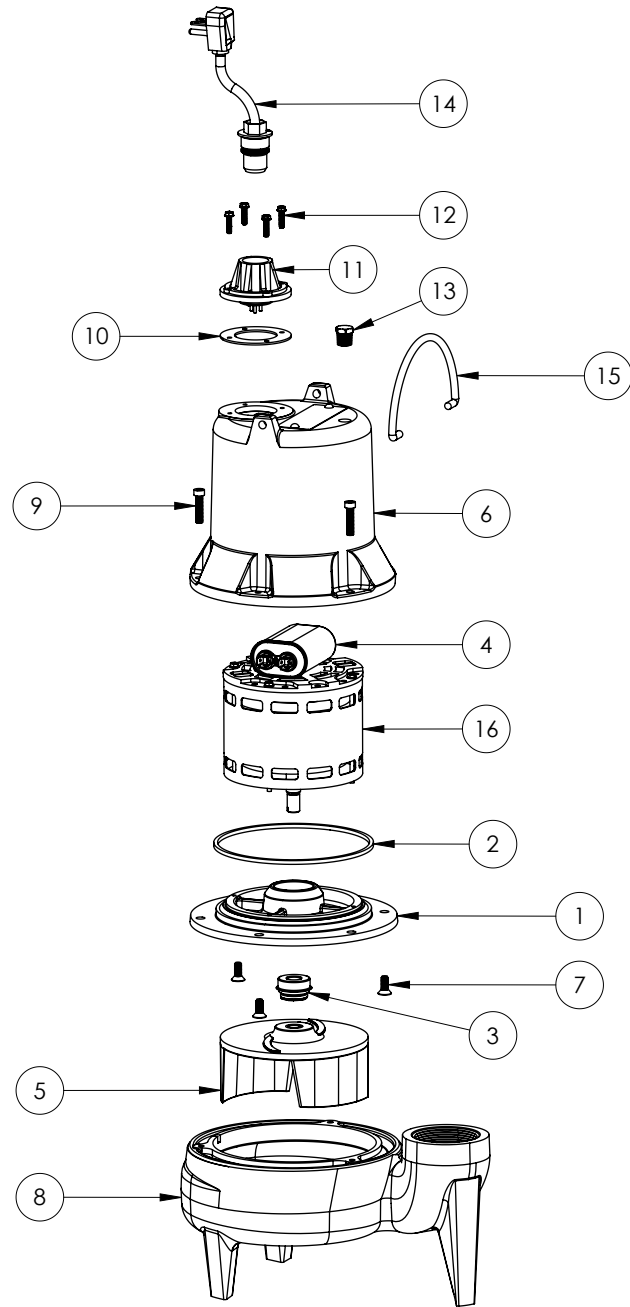
LE52M-2**LE52M-2 (B20)**

#	PART #	DESCRIPTION	QTY	Note
1	5052000	MOTOR SUPPORT PLATE	1	
2	5395000	THRUST WASHER	1	
3	5066000	SEALRING, MOTOR COVER, #254S	1	[1]
4	5098000	1/2 INCH UNITIZED SEAL	1	
5	51930C0	CAPACITOR	1	
6	K001039	IMPELLER	1	
7	527800R	MOTOR CAP	1	
8	8018000	1/4-20 x 5/8 SLOTTED FLAT HEAD BOLT	3	
9	545100R	HOUSING, VOLUTE	1	
10	8091000	1/4-20 x 1 HEX SOCKET HEAD BOLT	3	
11	5060000	CORD PLATE GASKET	1	
12	5014000	CORD PLATE	1	
13	8064000	#8-32 x 5/8 HEX WASHER HEAD SCREW	4	
14	K001059	POWER CORD, 230V, 25 FOOT CORD	1	
15	5071000	BRASS OIL PLUG	1	
16	8033000	#8 x 1/4 STAINLESS STEEL SCREW	2	
17	K001095	STAINLESS STEEL HANDLE	1	
18	5195000	MOTOR .5HP PSC 230V	1	

PART NOTES:

[1] - Part requires factory authorized service. Contact Liberty Pumps at 1-800-543-2550

LE52M-2 (B42)



LE52M-2**LE52M-2 (B42)**

#	PART #	DESCRIPTION	QTY	Note
1	509200R	MOTOR SUPPORT PLATE	1	
2	5066000	SEALRING, MOTOR COVER, #254S	1	[1]
3	50980A0	1/2 INCH UNITIZED SEAL	1	[1]
4	51930E0	CAPACITOR	1	
5	K001039	IMPELLER	1	
6	527800R	MOTOR CAP	1	
7	8018000	1/4-20 x 5/8 SLOTTED FLAT HEAD BOLT	3	
8	545100R	HOUSING, VOLUTE	1	
9	8091000	1/4-20 x 1 HEX SOCKET HEAD BOLT	3	
10	5060000	CORD PLATE GASKET	1	
11	5014000	CORD PLATE	1	
12	8064000	#8-32 x 5/8 HEX WASHER HEAD SCREW	4	
13	5071000	BRASS OIL PLUG	1	
14	K001059	POWER CORD, 230V, 25 FOOT CORD	1	
15	K001095	STAINLESS STEEL HANDLE	1	
16	51982A0	MOTOR .5HP PSC 230V	1	[1]

PART NOTES:

[1] - Part requires factory authorized service. Contact Liberty Pumps at 1-800-543-2550