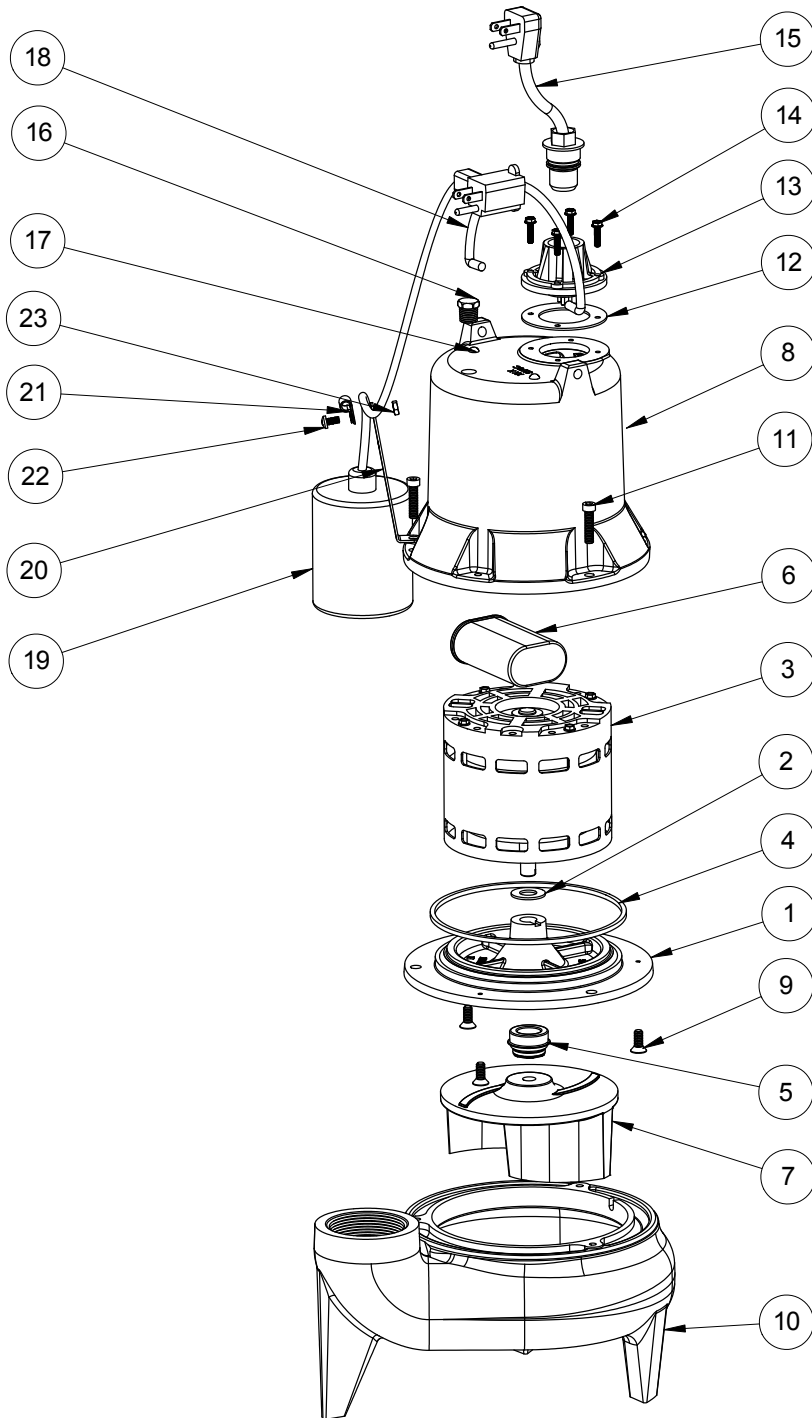


LE51A

LE51A (B10)



LE51A**LE51A (B10)**

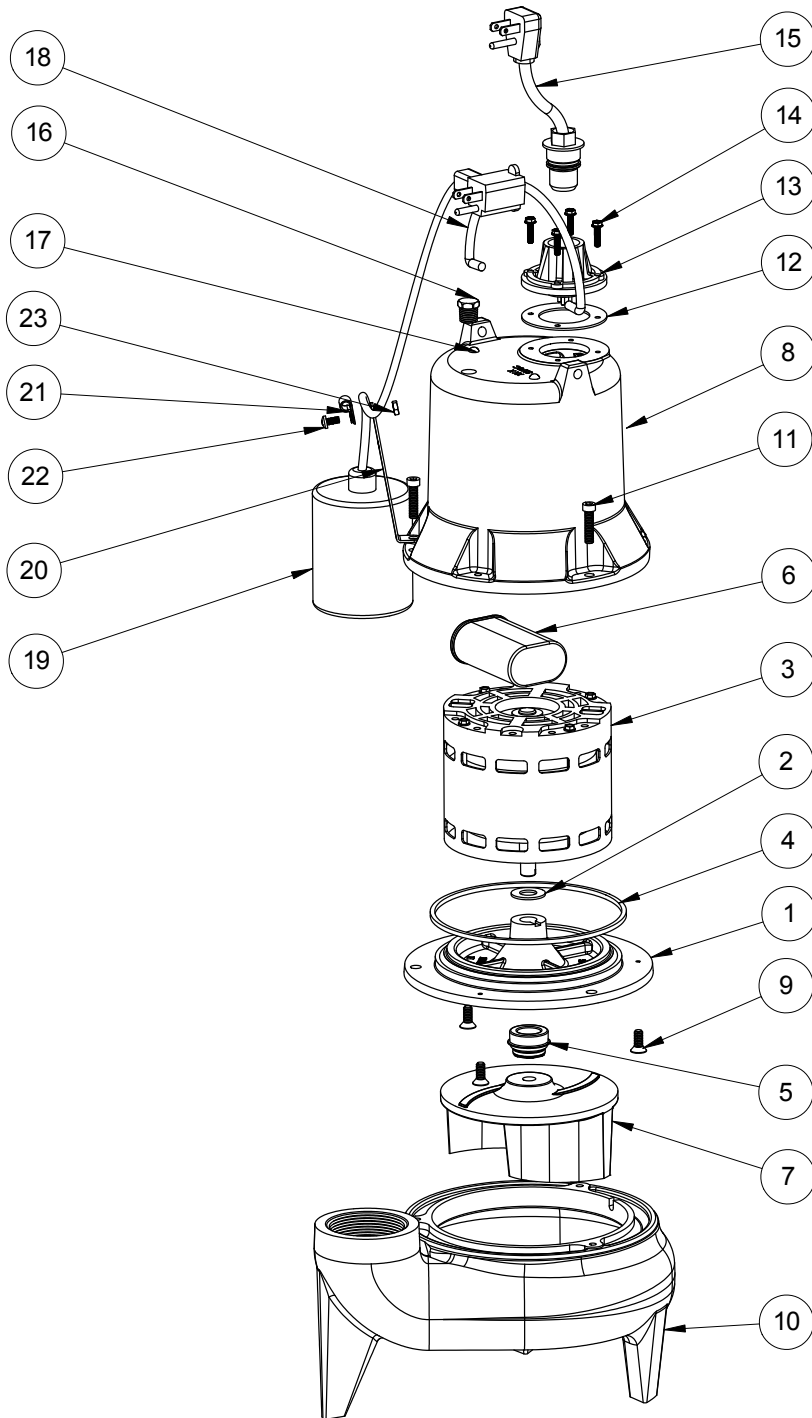
#	PART #	DESCRIPTION	QTY	Note
1	5052000	MOTOR SUPPORT PLATE	1	
2	5395000	THRUST WASHER	1	
3	5176000	MOTOR ASSEMBLY, .5HP	1	
4	5066000	SEALRING, MOTOR COVER, #254S	1	[1]
5	5098000	1/2 INCH UNITIZED SEAL	1	
6	51930C0	CAPACITOR	1	
7	K001039	IMPELLER	1	
8	527800R	MOTOR CAP	1	
9	8018000	1/4-20 x 5/8 SLOTTED FLAT HEAD BOLT	3	
10	545100R	HOUSING, VOLUTE	1	
11	8091000	1/4-20 x 1 HEX SOCKET HEAD BOLT	3	
12	5060000	CORD PLATE GASKET	1	
13	5014000	CORD PLATE	1	
14	8064000	#8-32 x 5/8 HEX WASHER HEAD SCREW	4	
15	K001010	POWER CORD, 115V, 10 FOOT CORD	1	
16	5071000	BRASS OIL PLUG	1	
17	8033000	#8 x 1/4 STAINLESS STEEL SCREW	2	
18	K001095	STAINLESS STEEL HANDLE	1	
19	K001001	PUMP SWITCH KIT, INCLUDES MOUNTING HARDWARE	1	
20	5070000	FLOAT SWITCH SUPPORT	1	
21	8014000	CABLE CLAMP	1	
22	8082000	#10-24 x 3/8 EPOXY LOCK SCREW	1	
23	8002000	#10-24 STAINLESS STEEL HEX	1	

PART NOTES:

[1] - Part requires factory authorized service. Contact Liberty Pumps at 1-800-543-2550

LE51A

LE51A (B20)



LE51A**LE51A (B20)**

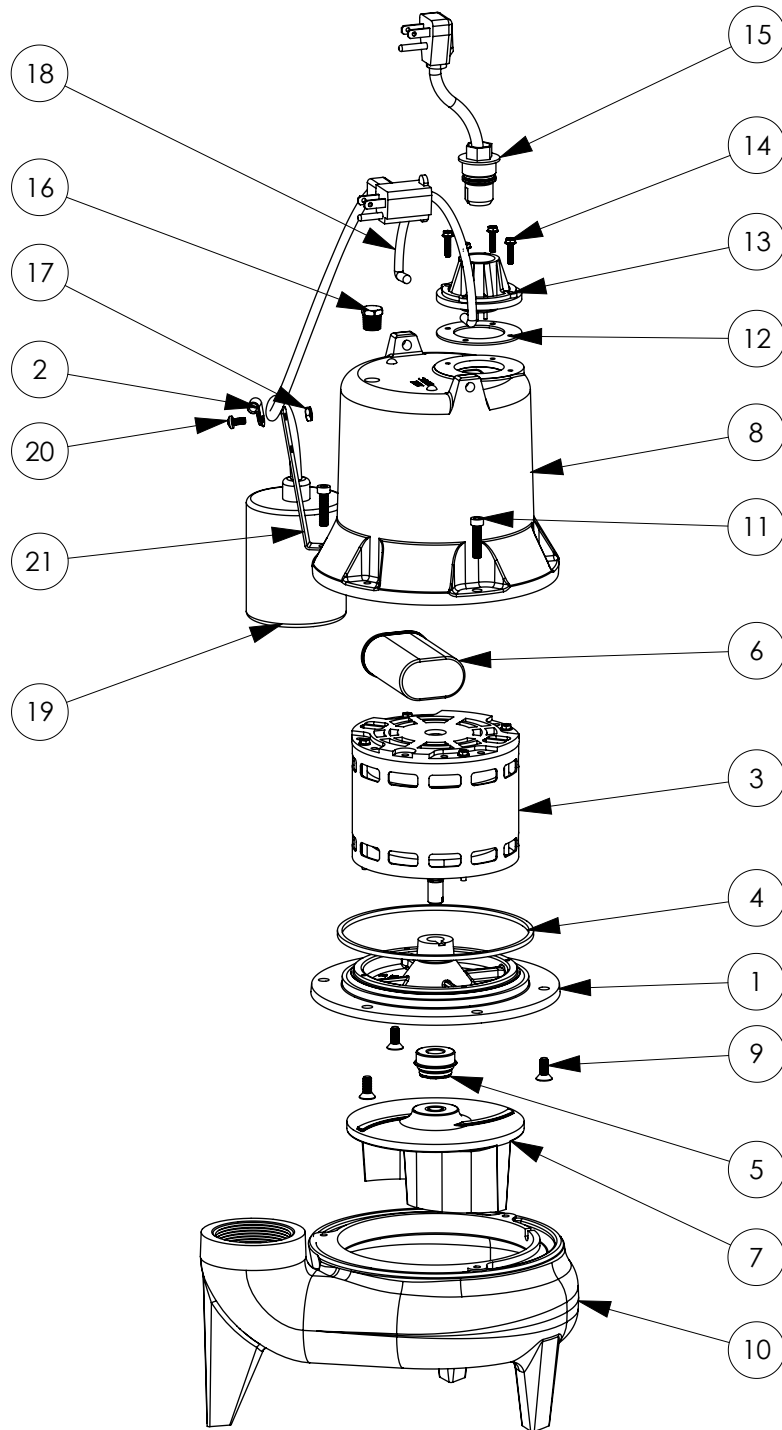
#	PART #	DESCRIPTION	QTY	Note
1	5052000	MOTOR SUPPORT PLATE	1	
2	5395000	THRUST WASHER	1	
3	5176000	MOTOR ASSEMBLY, .5HP	1	
4	5066000	SEALRING, MOTOR COVER, #254S	1	[1]
5	50980A0	1/2 INCH UNITIZED SEAL	1	[1]
6	51930C0	CAPACITOR	1	
7	K001039	IMPELLER	1	
8	527800R	MOTOR CAP	1	
9	8018000	1/4-20 x 5/8 SLOTTED FLAT HEAD BOLT	3	
10	545100R	HOUSING, VOLUTE	1	
11	8091000	1/4-20 x 1 HEX SOCKET HEAD BOLT	3	
12	5060000	CORD PLATE GASKET	1	
13	5014000	CORD PLATE	1	
14	8064000	#8-32 x 5/8 HEX WASHER HEAD SCREW	4	
15	K001010	POWER CORD, 115V, 10 FOOT CORD	1	
16	5071000	BRASS OIL PLUG	1	
17	8033000	#8 x 1/4 STAINLESS STEEL SCREW	2	
18	K001095	STAINLESS STEEL HANDLE	1	
19	K001001	PUMP SWITCH KIT, INCLUDES MOUNTING HARDWARE	1	
20	5070000	FLOAT SWITCH SUPPORT	1	
21	8014000	CABLE CLAMP	1	
22	8082000	#10-24 x 3/8 EPOXY LOCK SCREW	1	
23	8002000	#10-24 STAINLESS STEEL HEX	1	

PART NOTES:

[1] - Part requires factory authorized service. Contact Liberty Pumps at 1-800-543-2550

LE51A

LE51A (B32)



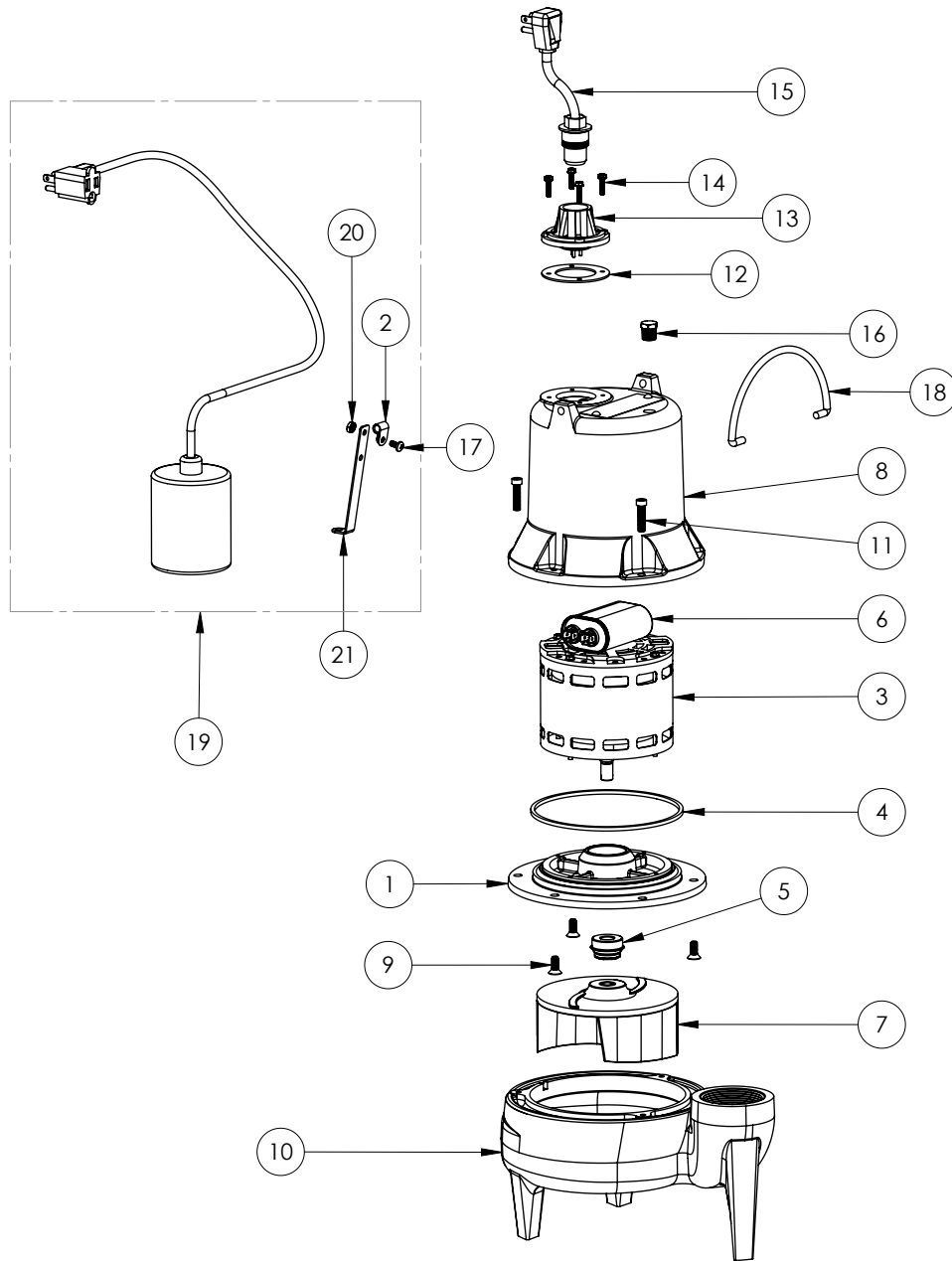
LE51A**LE51A (B32)**

#	PART #	DESCRIPTION	QTY	Note
1	509200R	MOTOR SUPPORT PLATE	1	
2	8014000	CABLE CLAMP	1	
3	5197200	MOTOR .5HP WITH BALL BEARING	1	
4	5066000	SEALRING, MOTOR COVER, #254S	1	[1]
5	50980A0	1/2 INCH UNITIZED SEAL	1	[1]
6	51930E0	CAPACITOR	1	
7	K001039	IMPELLER	1	
8	527800R	MOTOR CAP	1	
9	8018000	1/4-20 x 5/8 SLOTTED FLAT HEAD BOLT	3	
10	545100R	HOUSING, VOLUTE	1	
11	8091000	1/4-20 x 1 HEX SOCKET HEAD BOLT	3	
12	5060000	CORD PLATE GASKET	1	
13	5014000	CORD PLATE	1	
14	8064000	#8-32 x 5/8 HEX WASHER HEAD SCREW	4	
15	K001010	POWER CORD, 115V, 10 FOOT CORD	1	
16	5071000	BRASS OIL PLUG	1	
17	8082000	#10-24 x 3/8 EPOXY LOCK SCREW	1	
18	K001095	STAINLESS STEEL HANDLE	1	
19	K001001	PUMP SWITCH KIT, INCLUDES MOUNTING HARDWARE	1	
20	8002000	#10-24 STAINLESS STEEL HEX	1	
21	5070000	FLOAT SWITCH SUPPORT	1	

PART NOTES:

[1] - Part requires factory authorized service. Contact Liberty Pumps at 1-800-543-2550

LE51A (B41)



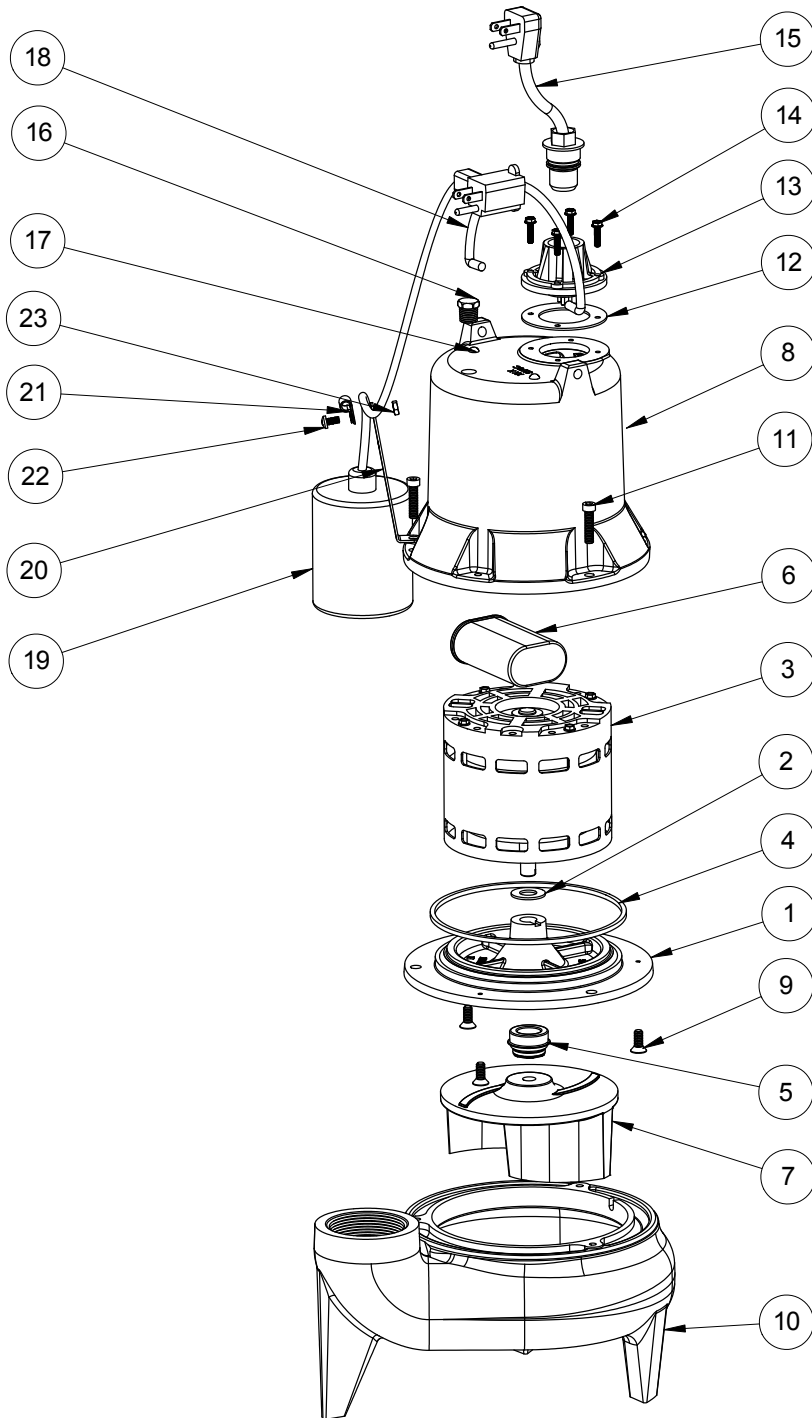
LE51A**LE51A (B41)**

#	PART #	DESCRIPTION	QTY	Note
1	509200R	MOTOR SUPPORT PLATE	1	
2	8014000	CABLE CLAMP	1	
3	51972A0	MOTOR 1/2HP WITH BALL BEARINGMOTOR .5HP WITH BALL BEARING	1	[1]
4	5066000	SEALRING, MOTOR COVER, #254S	1	[1]
5	50980A0	1/2 INCH UNITIZED SEAL	1	[1]
6	51930E0	CAPACITOR	1	
7	K001039	IMPELLER	1	
8	527800R	MOTOR CAPMOTOR CAP, BROWN	1	
9	8018000	1/4-20 x 5/8 SLOTTED FLAT HEAD BOLT1/4-20X5/8 SLOTTED FLAT HEAD	3	
10	545100R	HOUSING, VOLUTEHOUSING, VOLUTE, BROWN	1	
11	8091000	1/4-20 x 1 HEX SOCKET HEAD BOLTBOLT 1/4-20x1 HEX SOCKET HD	3	
12	5060000	CORD PLATE GASKET	1	
13	5014000	CORD PLATE	1	
14	8064000	#8-32 x 5/8 HEX WASHER HEAD SCREW#8-32 x 5/8 HEX WASHER HEAD	4	
15	K001010	POWER CORD, 115V, 10 FOOT CORDPOWER CORD, 115V 10ft CORD	1	
16	50710A0	PIPE PLUG, 1/4" HEX HD BRASS NPTF	1	
17	8082000	#10-24 x 3/8 EPOXY LOCK SCREW	1	
18	K001095	STAINLESS STEEL HANDLE	1	
19	K001001	PUMP SWITCH KIT, INCLUDES MOUNTING HARDWAREPUMP SWITCH, 115V 10ft CORD	1	
20	8002000	#10-24 STAINLESS STEEL HEX#10-24 HEX STAINLESS STEEL NUT	1	
21	5070000	FLOAT SWITCH SUPPORTSUPPORT, SWITCH ft98	1	

PART NOTES:

[1] - Part requires factory authorized service. Contact Liberty Pumps at 1-800-543-2550

LE51A-2 (B10)



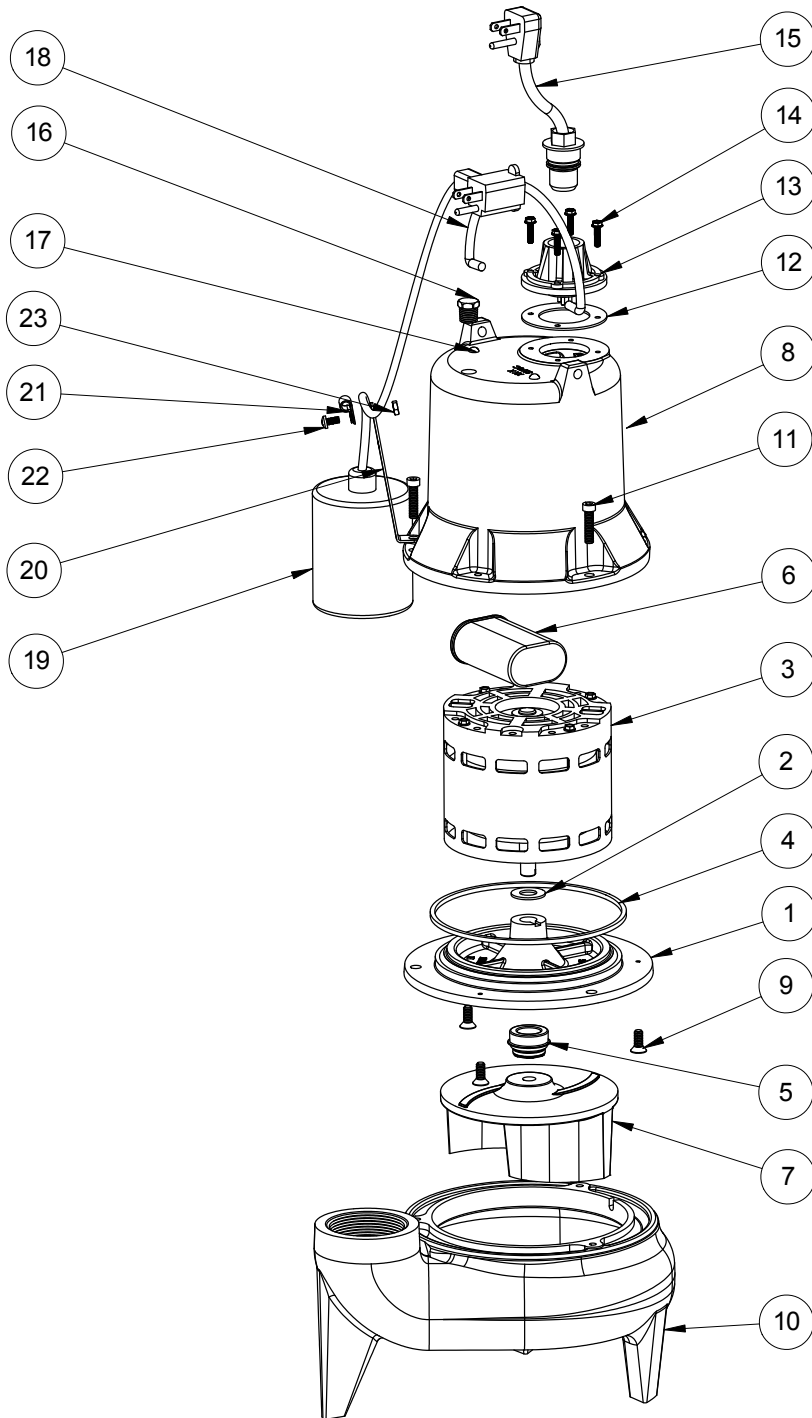
LE51A-2**LE51A-2 (B10)**

#	PART #	DESCRIPTION	QTY	Note
1	5052000	MOTOR SUPPORT PLATE	1	
2	5395000	THRUST WASHER	1	
3	5176000	MOTOR ASSEMBLY, .5HP	1	
4	5066000	SEALRING, MOTOR COVER, #254S	1	[1]
5	5098000	1/2 INCH UNITIZED SEAL	1	
6	51930C0	CAPACITOR	1	
7	K001039	IMPELLER	1	
8	527800R	MOTOR CAP	1	
9	8018000	1/4-20 x 5/8 SLOTTED FLAT HEAD BOLT	3	
10	545100R	HOUSING, VOLUTE	1	
11	8091000	1/4-20 x 1 HEX SOCKET HEAD BOLT	3	
12	5060000	CORD PLATE GASKET	1	
13	5014000	CORD PLATE	1	
14	8064000	#8-32 x 5/8 HEX WASHER HEAD SCREW	4	
15	K001008	POWER CORD, 115V, 25 FOOT CORD	1	
16	5071000	BRASS OIL PLUG	1	
17	8033000	#8 x 1/4 STAINLESS STEEL SCREW	2	
18	K001095	STAINLESS STEEL HANDLE	1	
19	K001004	61130B0, 25' PUMP SWITCH KIT	1	
20	5070000	FLOAT SWITCH SUPPORT	1	
21	8014000	CABLE CLAMP	1	
22	8082000	#10-24 x 3/8 EPOXY LOCK SCREW	1	
23	8002000	#10-24 STAINLESS STEEL HEX	1	

PART NOTES:

[1] - Part requires factory authorized service. Contact Liberty Pumps at 1-800-543-2550

LE51A-2 (B20)



LE51A-2**LE51A-2 (B20)**

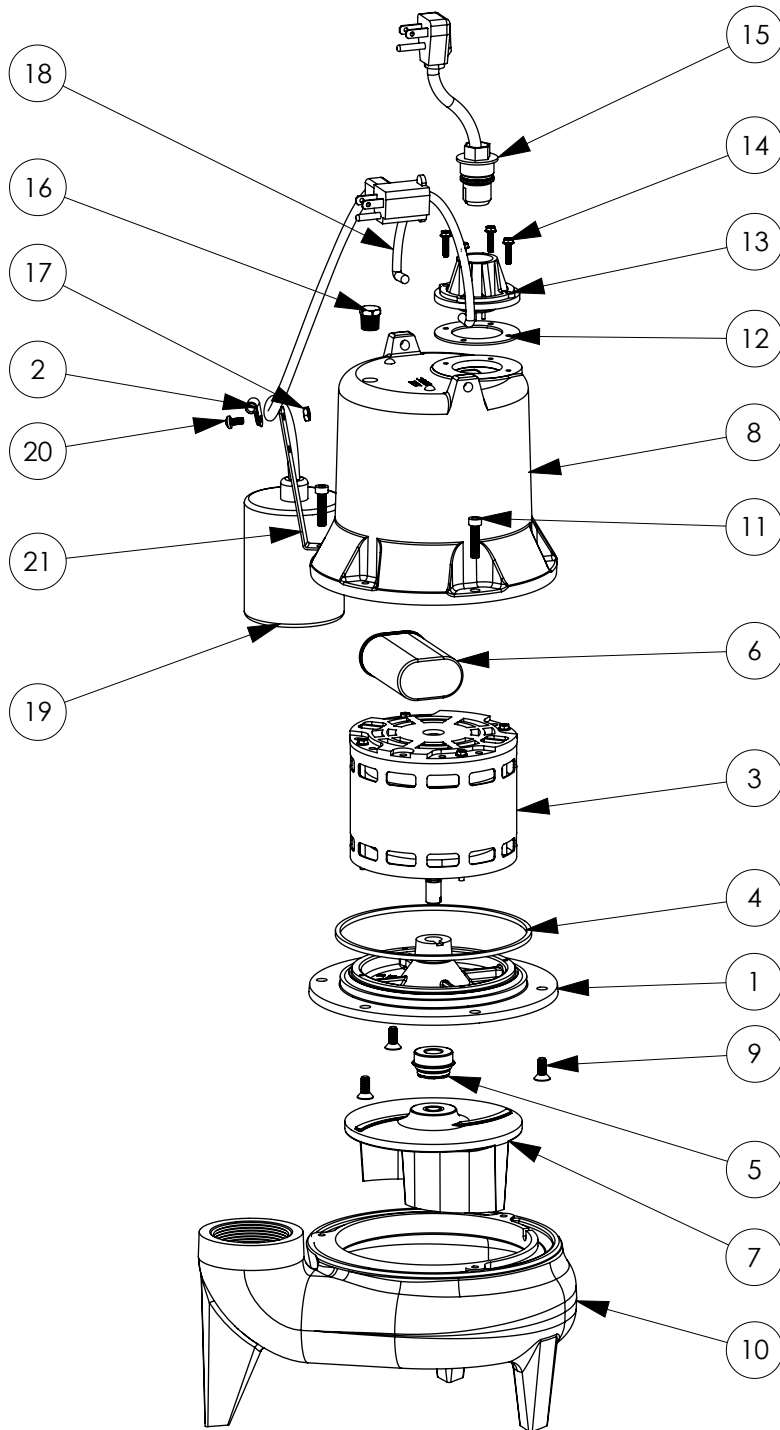
#	PART #	DESCRIPTION	QTY	Note
1	5052000	MOTOR SUPPORT PLATE	1	
2	5395000	THRUST WASHER	1	
3	5176000	MOTOR ASSEMBLY, .5HP	1	
4	5066000	SEALRING, MOTOR COVER, #254S	1	[1]
5	50980A0	1/2 INCH UNITIZED SEAL	1	[1]
6	51930C0	CAPACITOR	1	
7	K001039	IMPELLER	1	
8	527800R	MOTOR CAP	1	
9	8018000	1/4-20 x 5/8 SLOTTED FLAT HEAD BOLT	3	
10	545100R	HOUSING, VOLUTE	1	
11	8091000	1/4-20 x 1 HEX SOCKET HEAD BOLT	3	
12	5060000	CORD PLATE GASKET	1	
13	5014000	CORD PLATE	1	
14	8064000	#8-32 x 5/8 HEX WASHER HEAD SCREW	4	
15	K001008	POWER CORD, 115V, 25 FOOT CORD	1	
16	5071000	BRASS OIL PLUG	1	
17	8033000	#8 x 1/4 STAINLESS STEEL SCREW	2	
18	K001095	STAINLESS STEEL HANDLE	1	
19	K001004	61130B0, 25' PUMP SWITCH KIT	1	
20	5070000	FLOAT SWITCH SUPPORT	1	
21	8014000	CABLE CLAMP	1	
22	8082000	#10-24 x 3/8 EPOXY LOCK SCREW	1	
23	8002000	#10-24 STAINLESS STEEL HEX	1	

PART NOTES:

[1] - Part requires factory authorized service. Contact Liberty Pumps at 1-800-543-2550

LE51A-2

LE51A-2 (B32)



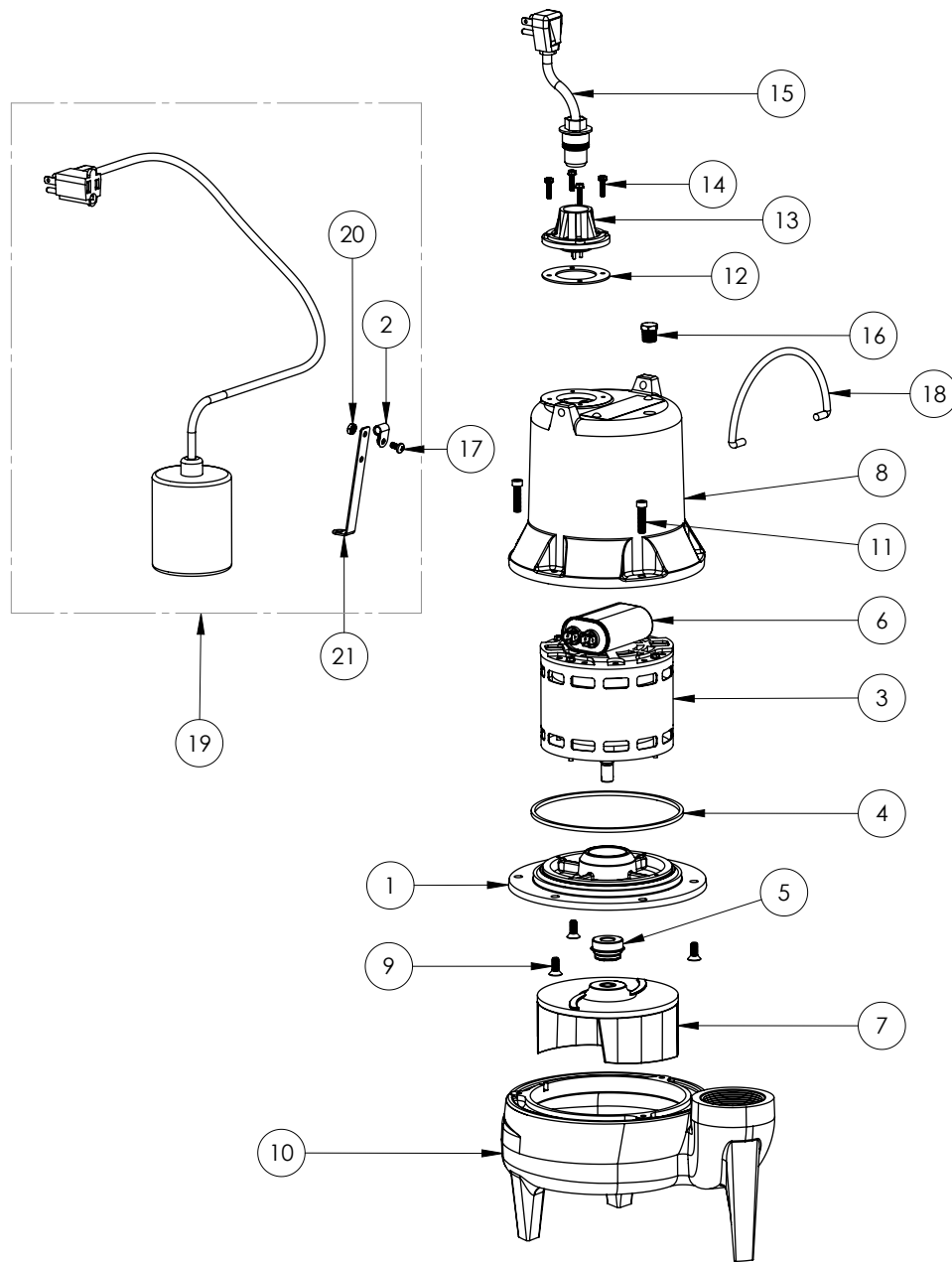
LE51A-2**LE51A-2 (B32)**

#	PART #	DESCRIPTION	QTY	Note
1	509200R	MOTOR SUPPORT PLATE	1	
2	8014000	CABLE CLAMP	1	
3	5197200	MOTOR .5HP WITH BALL BEARING	1	
4	5066000	SEALRING, MOTOR COVER, #254S	1	[1]
5	50980A0	1/2 INCH UNITIZED SEAL	1	[1]
6	51930E0	CAPACITOR	1	
7	K001039	IMPELLER	1	
8	527800R	MOTOR CAP	1	
9	8018000	1/4-20 x 5/8 SLOTTED FLAT HEAD BOLT	3	
10	545100R	HOUSING, VOLUTE	1	
11	8091000	1/4-20 x 1 HEX SOCKET HEAD BOLT	3	
12	5060000	CORD PLATE GASKET	1	
13	5014000	CORD PLATE	1	
14	8064000	#8-32 x 5/8 HEX WASHER HEAD SCREW	4	
15	K001008	POWER CORD, 115V, 25 FOOT CORD	1	
16	5071000	BRASS OIL PLUG	1	
17	8082000	#10-24 x 3/8 EPOXY LOCK SCREW	1	
18	K001095	STAINLESS STEEL HANDLE	1	
19	K001004	61130B0, 25' PUMP SWITCH KIT	1	
20	8002000	#10-24 STAINLESS STEEL HEX	1	
21	5070000	FLOAT SWITCH SUPPORT	1	

PART NOTES:

[1] - Part requires factory authorized service. Contact Liberty Pumps at 1-800-543-2550

LE51A-2 (B41)



LE51A-2**LE51A-2 (B41)**

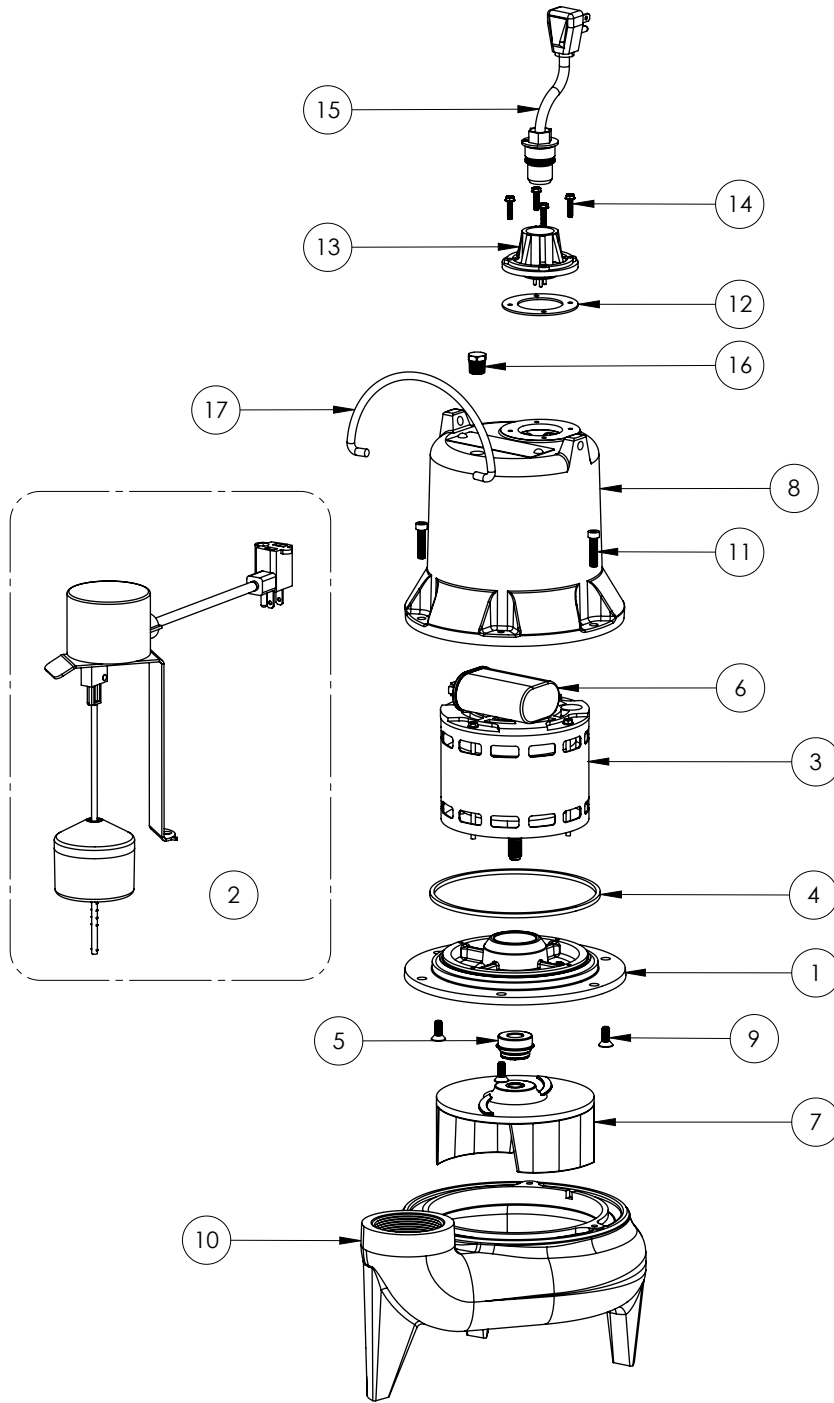
#	PART #	DESCRIPTION	QTY	Note
1	509200R	MOTOR SUPPORT PLATE	1	
2	8014000	CABLE CLAMP	1	
3	51972A0	MOTOR 1/2HP WITH BALL BEARINGMOTOR .5HP WITH BALL BEARING	1	[1]
4	5066000	SEALRING, MOTOR COVER, #254S	1	[1]
5	50980A0	1/2 INCH UNITIZED SEAL	1	[1]
6	51930E0	CAPACITOR	1	
7	K001039	IMPELLER	1	
8	527800R	MOTOR CAPMOTOR CAP, BROWN	1	
9	8018000	1/4-20 x 5/8 SLOTTED FLAT HEAD BOLT1/4-20X5/8 SLOTTED FLAT HEAD	3	
10	545100R	HOUSING, VOLUTEHOUSING, VOLUTE, BROWN	1	
11	8091000	1/4-20 x 1 HEX SOCKET HEAD BOLTBOLT 1/4-20x1 HEX SOCKET HD	3	
12	5060000	CORD PLATE GASKET	1	
13	5014000	CORD PLATE	1	
14	8064000	#8-32 x 5/8 HEX WASHER HEAD SCREW#8-32 x 5/8 HEX WASHER HEAD	4	
15	K001008	POWER CORD, 115V, 25 FOOT CORDPOWER CORD, 115V 25ft CORD	1	
16	50710A0	PIPE PLUG, 1/4" HEX HD BRASS NPTF	1	
17	8082000	#10-24 x 3/8 EPOXY LOCK SCREW	1	
18	K001095	STAINLESS STEEL HANDLE	1	
19	K001004	61130B0, 25' PUMP SWITCH KITPUMP SWITCH, 115V 25ft CORD	1	
20	8002000	#10-24 STAINLESS STEEL HEX#10-24 HEX STAINLESS STEEL NUT	1	
21	5070000	FLOAT SWITCH SUPPORTSUPPORT, SWITCH ft98	1	

PART NOTES:

[1] - Part requires factory authorized service. Contact Liberty Pumps at 1-800-543-2550

LE51AV

LE51AV (B41)



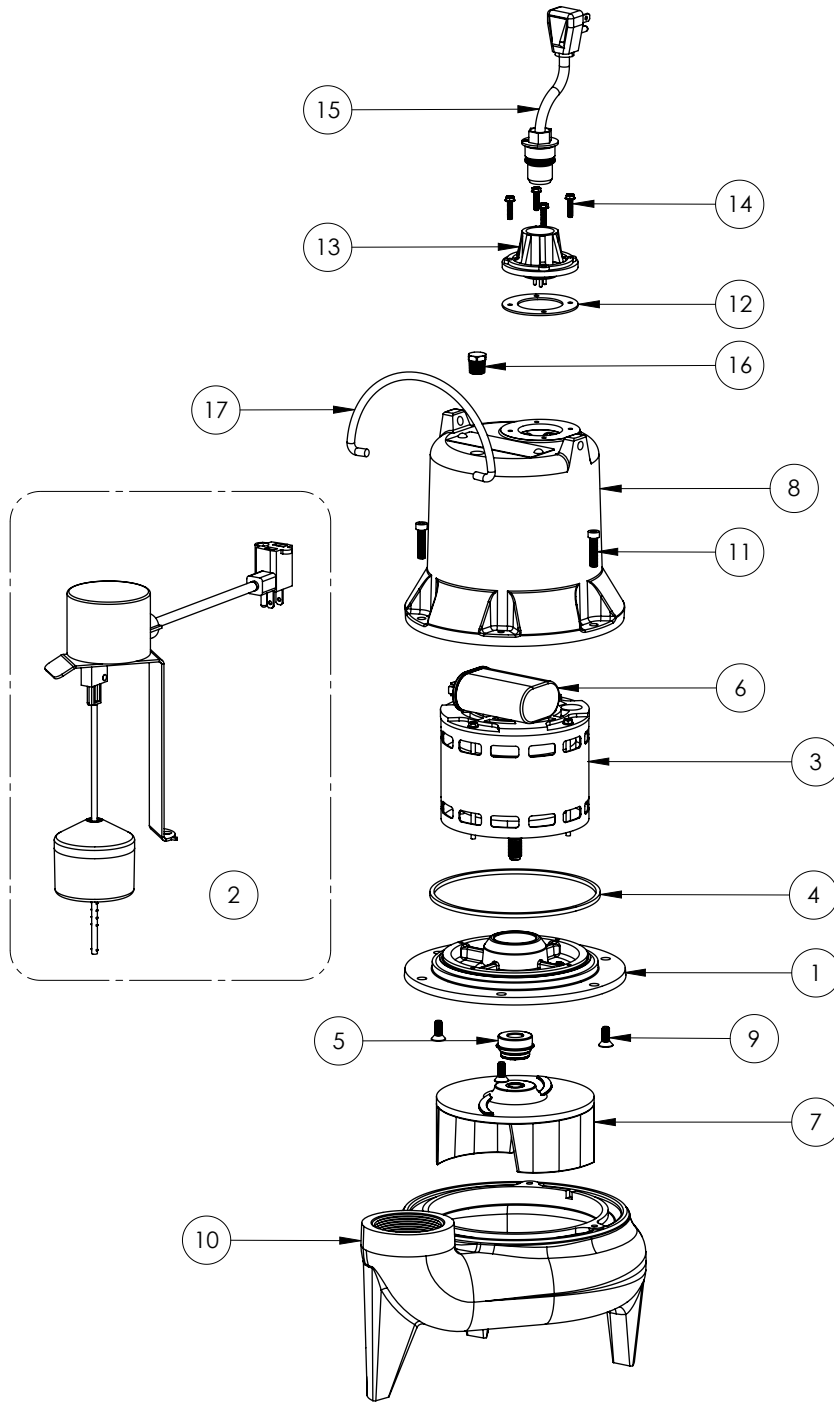
LE51AV**LE51AV (B41)**

#	PART #	DESCRIPTION	QTY	Note
1	509200R	MOTOR SUPPORT PLATE	1	
2	K001542	KIT, VMII, SJE 10' CORD, LE	1	
3	51972A0	MOTOR 1/2HP WITH BALL BEARINGMOTOR .5HP WITH BALL BEARING	1	[1]
4	5066000	SEALRING, MOTOR COVER, #254S	1	[1]
5	50980A0	1/2 INCH UNITIZED SEAL	1	[1]
6	51930E0	CAPACITOR	1	
7	K001039	IMPELLER	1	
8	527800R	MOTOR CAPMOTOR CAP, BROWN	1	
9	8018000	1/4-20 x 5/8 SLOTTED FLAT HEAD BOLT1/4-20X5/8 SLOTTED FLAT HEAD	3	
10	545100R	HOUSING, VOLUTEHOUSING, VOLUTE, BROWN	1	
11	8091000	1/4-20 x 1 HEX SOCKET HEAD BOLTBOLT 1/4-20x1 HEX SOCKET HD	3	
12	5060000	CORD PLATE GASKET	1	
13	5014000	CORD PLATE	1	
14	8064000	#8-32 x 5/8 HEX WASHER HEAD SCREW#8-32 x 5/8 HEX WASHER HEAD	4	
15	K001010	POWER CORD, 115V, 10 FOOT CORDPOWER CORD, 115V 10ft CORD	1	
16	5071000	BRASS OIL PLUG	1	
17	K001095	STAINLESS STEEL HANDLE	1	

PART NOTES:

[1] - Part requires factory authorized service. Contact Liberty Pumps at 1-800-543-2550

LE51AV-2 (B41)



LE51AV-2**LE51AV-2 (B41)**

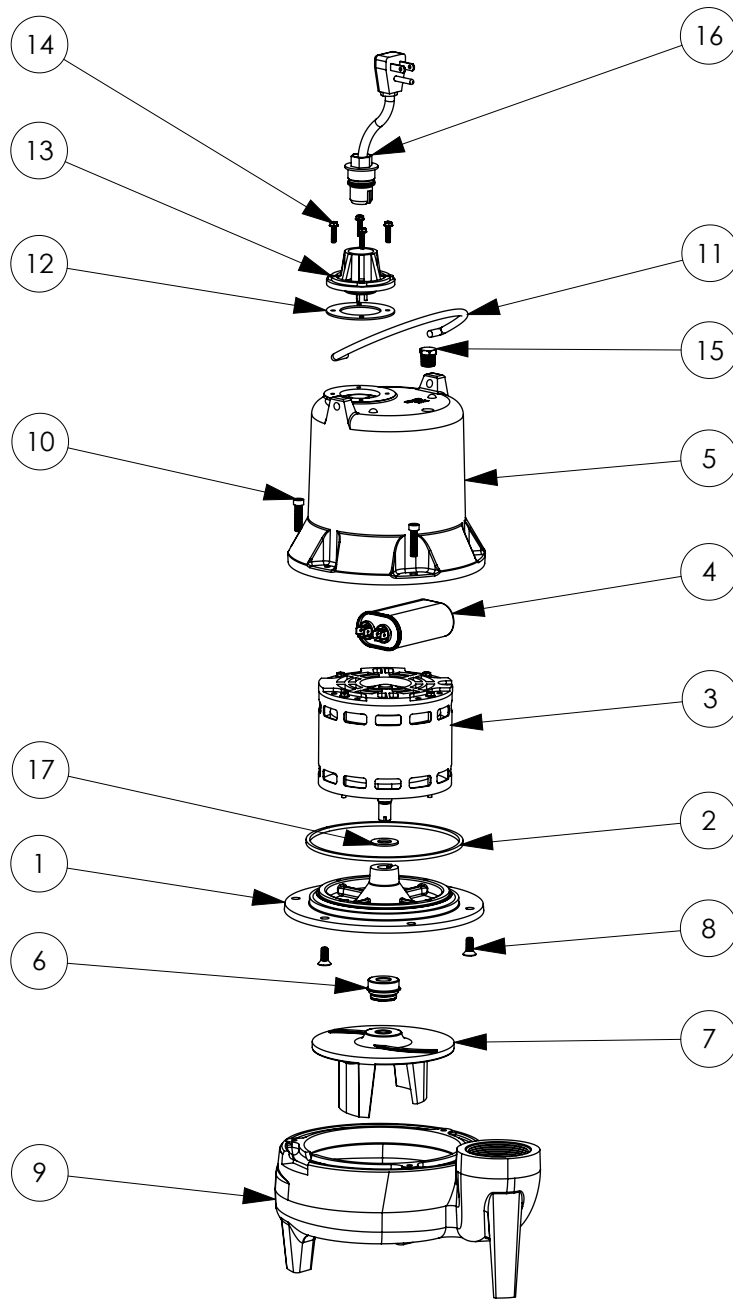
#	PART #	DESCRIPTION	QTY	Note
1	509200R	MOTOR SUPPORT PLATE	1	
2	K001543	KIT, VMII, SJE 25' CORD, LE	1	
3	51972A0	MOTOR 1/2HP WITH BALL BEARINGMOTOR .5HP WITH BALL BEARING	1	[1]
4	5066000	SEALRING, MOTOR COVER, #254S	1	[1]
5	50980A0	1/2 INCH UNITIZED SEAL	1	[1]
6	51930E0	CAPACITOR	1	
7	K001039	IMPELLER	1	
8	527800R	MOTOR CAPMOTOR CAP, BROWN	1	
9	8018000	1/4-20 x 5/8 SLOTTED FLAT HEAD BOLT1/4-20X5/8 SLOTTED FLAT HEAD	3	
10	545100R	HOUSING, VOLUTEHOUSING, VOLUTE, BROWN	1	
11	8091000	1/4-20 x 1 HEX SOCKET HEAD BOLTBOLT 1/4-20x1 HEX SOCKET HD	3	
12	5060000	CORD PLATE GASKET	1	
13	5014000	CORD PLATE	1	
14	8064000	#8-32 x 5/8 HEX WASHER HEAD SCREW#8-32 x 5/8 HEX WASHER HEAD	4	
15	K001008	POWER CORD, 115V, 25 FOOT CORDPOWER CORD, 115V 25ft CORD	1	
16	5071000	BRASS OIL PLUG	1	
17	K001095	STAINLESS STEEL HANDLE	1	

PART NOTES:

[1] - Part requires factory authorized service. Contact Liberty Pumps at 1-800-543-2550

LE51LP

LE51LP (B10)



LE51LP**LE51LP (B10)**

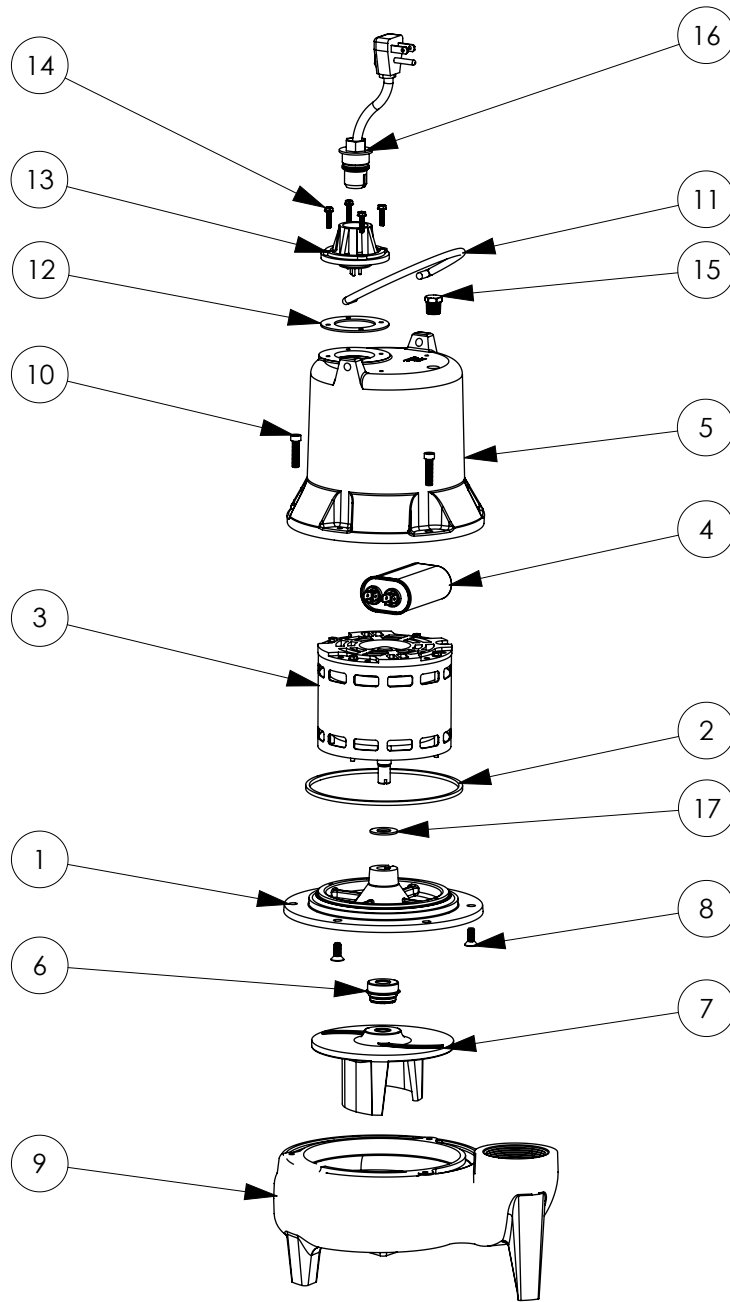
#	PART #	DESCRIPTION	QTY	Note
1	505200R	MOTOR SUPPORT PLATE	1	
2	5066000	SEALRING, MOTOR COVER, #254S	1	[1]
3	5176000	MOTOR ASSEMBLY, .5HP	1	
4	51930C0	CAPACITOR	1	
5	527800R	MOTOR CAP	1	
6	5098000	1/2 INCH UNITIZED SEAL	1	
7	K001039	IMPELLER	1	
8	8018000	1/4-20 x 5/8 SLOTTED FLAT HEAD BOLT	3	
9	54510AR	VOLUTE	1	
10	8091000	1/4-20 x 1 HEX SOCKET HEAD BOLT	3	
11	K001095	STAINLESS STEEL HANDLE	1	
12	5060000	CORD PLATE GASKET	1	
13	5014000	CORD PLATE	1	
14	8064000	#8-32 x 5/8 HEX WASHER HEAD SCREW	4	
15	5071000	BRASS OIL PLUG	1	
16	K001010	POWER CORD, 115V, 10 FOOT CORD	1	
17	5395000	THRUST WASHER	1	

PART NOTES:

[1] - Part requires factory authorized service. Contact Liberty Pumps at 1-800-543-2550

LE51LP

LE51LP (B20)



LE51LP**LE51LP (B20)**

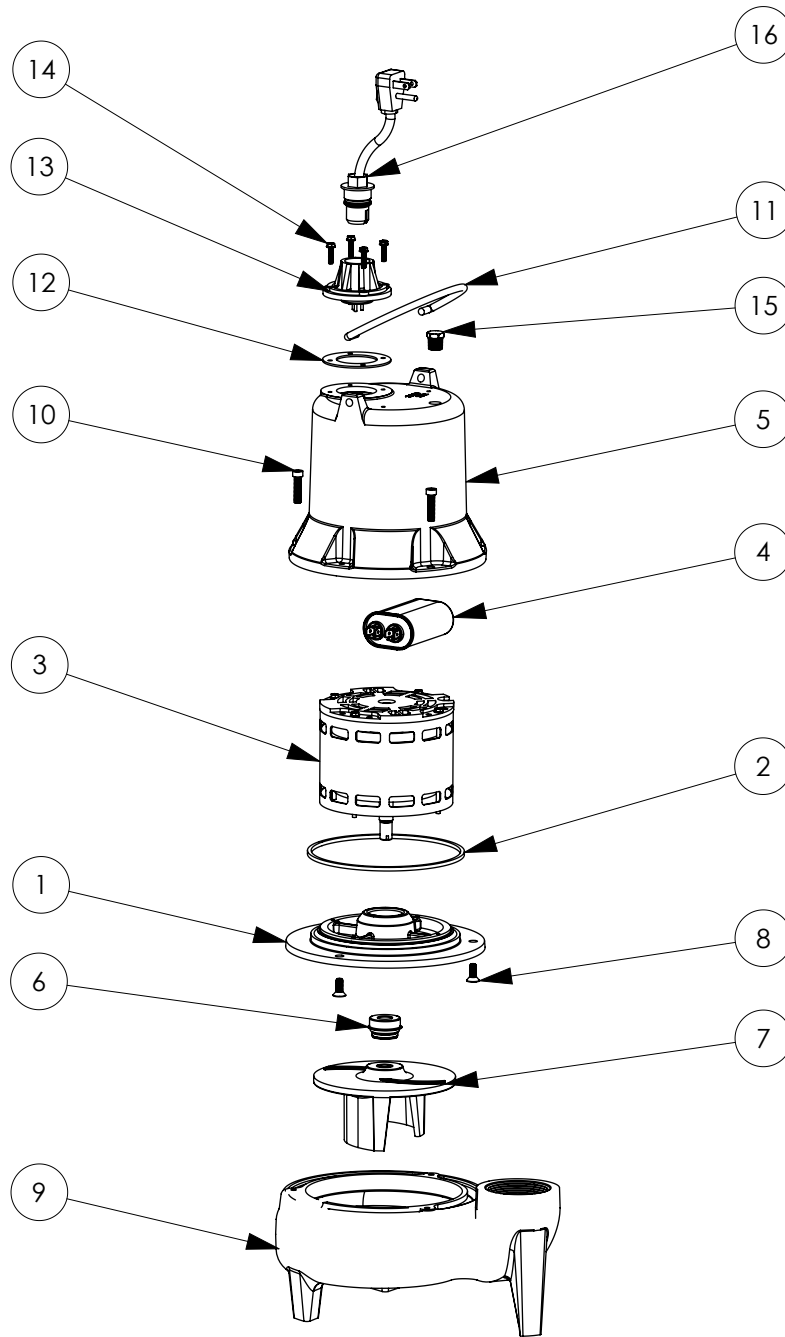
#	PART #	DESCRIPTION	QTY	Note
1	505200R	MOTOR SUPPORT PLATE	1	
2	5066000	SEALRING, MOTOR COVER, #254S	1	[1]
3	5176000	MOTOR ASSEMBLY, .5HP	1	
4	51930C0	CAPACITOR	1	
5	527800R	MOTOR CAP	1	
6	50980A0	1/2 INCH UNITIZED SEAL	1	[1]
7	K001039	IMPELLER	1	
8	8018000	1/4-20 x 5/8 SLOTTED FLAT HEAD BOLT	3	
9	54510AR	VOLUTE	1	
10	8091000	1/4-20 x 1 HEX SOCKET HEAD BOLT	3	
11	K001095	STAINLESS STEEL HANDLE	1	
12	5060000	CORD PLATE GASKET	1	
13	5014000	CORD PLATE	1	
14	8064000	#8-32 x 5/8 HEX WASHER HEAD SCREW	4	
15	5071000	BRASS OIL PLUG	1	
16	K001010	POWER CORD, 115V, 10 FOOT CORD	1	
17	5395000	THRUST WASHER	1	

PART NOTES:

[1] - Part requires factory authorized service. Contact Liberty Pumps at 1-800-543-2550

LE51LP

LE51LP (B32)



LE51LP**LE51LP (B32)**

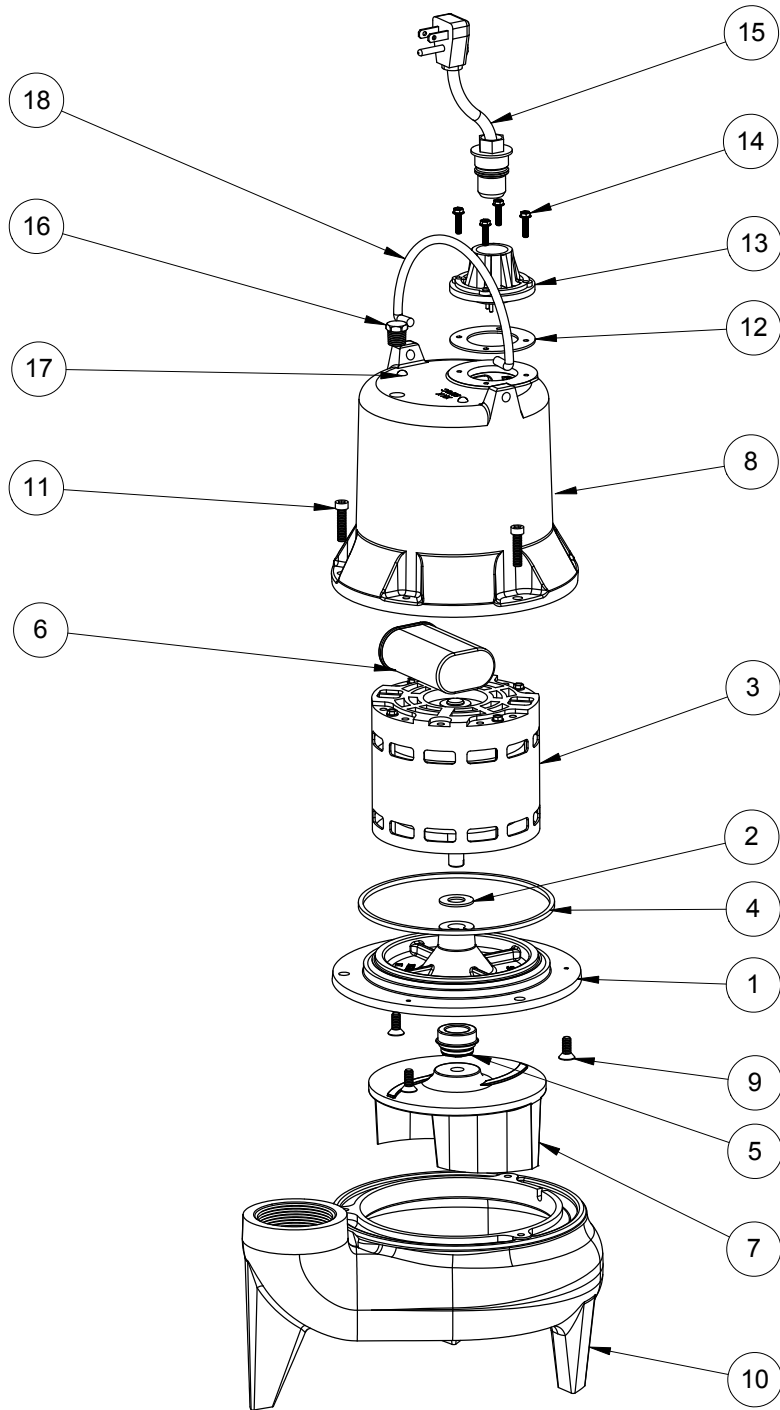
#	PART #	DESCRIPTION	QTY	Note
1	509200R	MOTOR SUPPORT PLATE	1	
2	5066000	SEALRING, MOTOR COVER, #254S	1	[1]
3	5197200	MOTOR .5HP WITH BALL BEARING	1	
4	51930E0	CAPACITOR	1	
5	527800R	MOTOR CAP	1	
6	50980A0	1/2 INCH UNITIZED SEAL	1	[1]
7	K001039	IMPELLER	1	
8	8018000	1/4-20 x 5/8 SLOTTED FLAT HEAD BOLT	3	
9	54510AR	VOLUTE	1	
10	8091000	1/4-20 x 1 HEX SOCKET HEAD BOLT	3	
11	K001095	STAINLESS STEEL HANDLE	1	
12	5060000	CORD PLATE GASKET	1	
13	5014000	CORD PLATE	1	
14	8064000	#8-32 x 5/8 HEX WASHER HEAD SCREW	4	
15	5071000	BRASS OIL PLUG	1	
16	K001010	POWER CORD, 115V, 10 FOOT CORD	1	

PART NOTES:

[1] - Part requires factory authorized service. Contact Liberty Pumps at 1-800-543-2550

LE51M

LE51M (B10)



LE51M**LE51M (B10)**

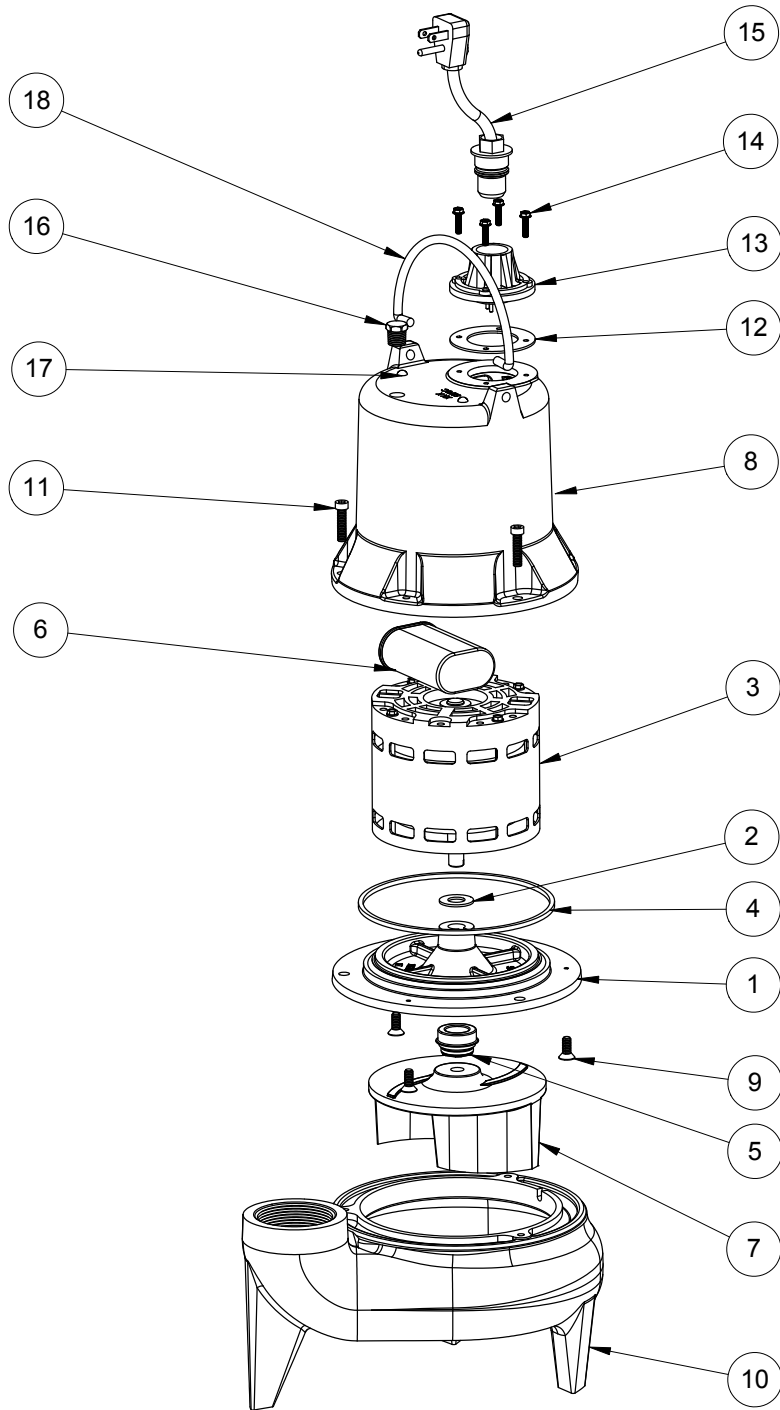
#	PART #	DESCRIPTION	QTY	Note
1	5052000	MOTOR SUPPORT PLATE	1	
2	5395000	THRUST WASHER	1	
3	5176000	MOTOR ASSEMBLY, .5HP	1	
4	5066000	SEALRING, MOTOR COVER, #254S	1	[1]
5	5098000	1/2 INCH UNITIZED SEAL	1	
6	51930C0	CAPACITOR	1	
7	K001039	IMPELLER	1	
8	527800R	MOTOR CAP	1	
9	8018000	1/4-20 x 5/8 SLOTTED FLAT HEAD BOLT	3	
10	545100R	HOUSING, VOLUTE	1	
11	8091000	1/4-20 x 1 HEX SOCKET HEAD BOLT	3	
12	5060000	CORD PLATE GASKET	1	
13	5014000	CORD PLATE	1	
14	8064000	#8-32 x 5/8 HEX WASHER HEAD SCREW	4	
15	K001010	POWER CORD, 115V, 10 FOOT CORD	1	
16	5071000	BRASS OIL PLUG	1	
17	8033000	#8 x 1/4 STAINLESS STEEL SCREW	2	
18	K001095	STAINLESS STEEL HANDLE	1	

PART NOTES:

[1] - Part requires factory authorized service. Contact Liberty Pumps at 1-800-543-2550

LE51M

LE51M (B20)



LE51M**LE51M (B20)**

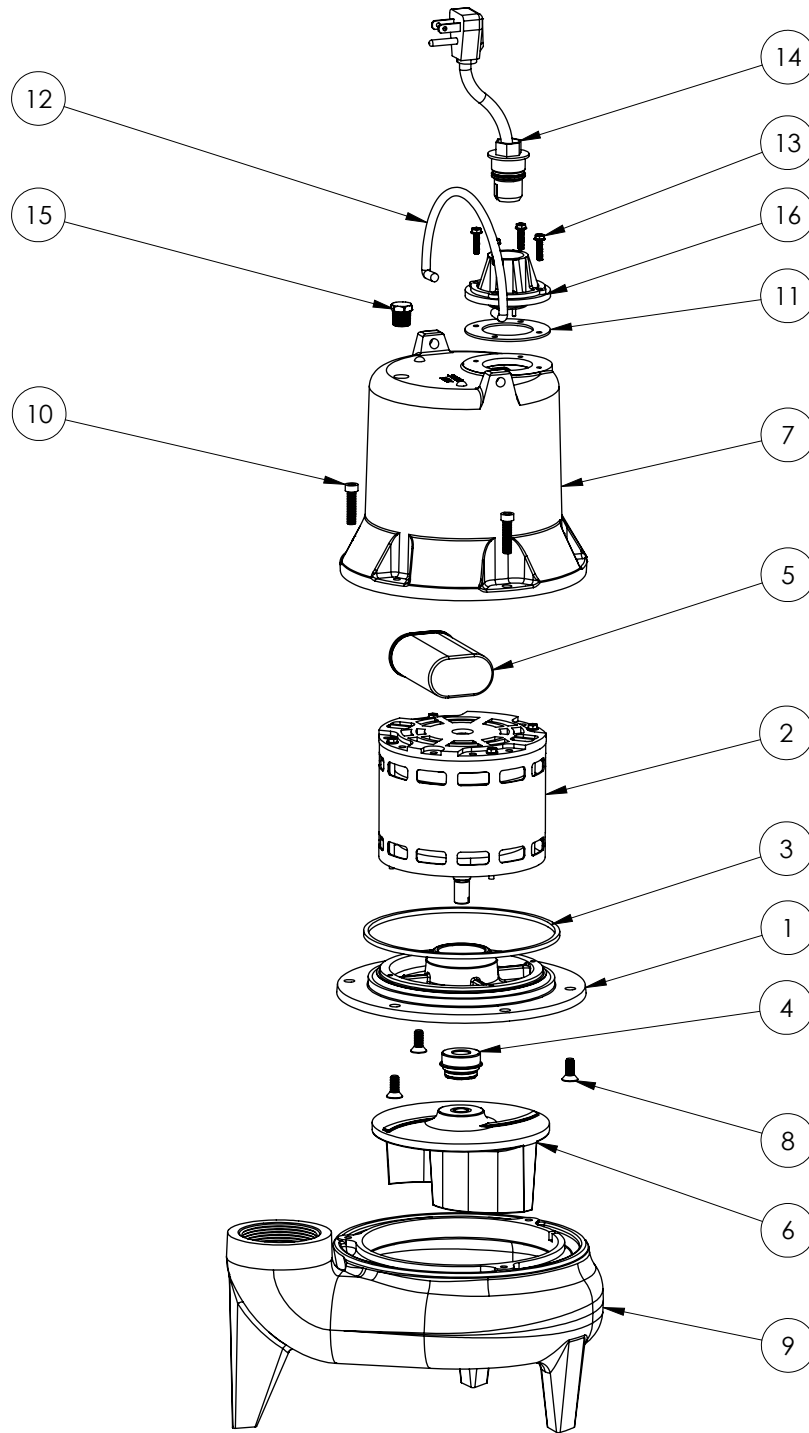
#	PART #	DESCRIPTION	QTY	Note
1	5052000	MOTOR SUPPORT PLATE	1	
2	5395000	THRUST WASHER	1	
3	5176000	MOTOR ASSEMBLY, .5HP	1	
4	5066000	SEALRING, MOTOR COVER, #254S	1	[1]
5	5098000	1/2 INCH UNITIZED SEAL	1	
6	51930C0	CAPACITOR	1	
7	K001039	IMPELLER	1	
8	527800R	MOTOR CAP	1	
9	8018000	1/4-20 x 5/8 SLOTTED FLAT HEAD BOLT	3	
10	545100R	HOUSING, VOLUTE	1	
11	8091000	1/4-20 x 1 HEX SOCKET HEAD BOLT	3	
12	5060000	CORD PLATE GASKET	1	
13	5014000	CORD PLATE	1	
14	8064000	#8-32 x 5/8 HEX WASHER HEAD SCREW	4	
15	K001010	POWER CORD, 115V, 10 FOOT CORD	1	
16	5071000	BRASS OIL PLUG	1	
17	8033000	#8 x 1/4 STAINLESS STEEL SCREW	2	
18	K001095	STAINLESS STEEL HANDLE	1	

PART NOTES:

[1] - Part requires factory authorized service. Contact Liberty Pumps at 1-800-543-2550

LE51M

LE51M (B32)



LE51M**LE51M (B32)**

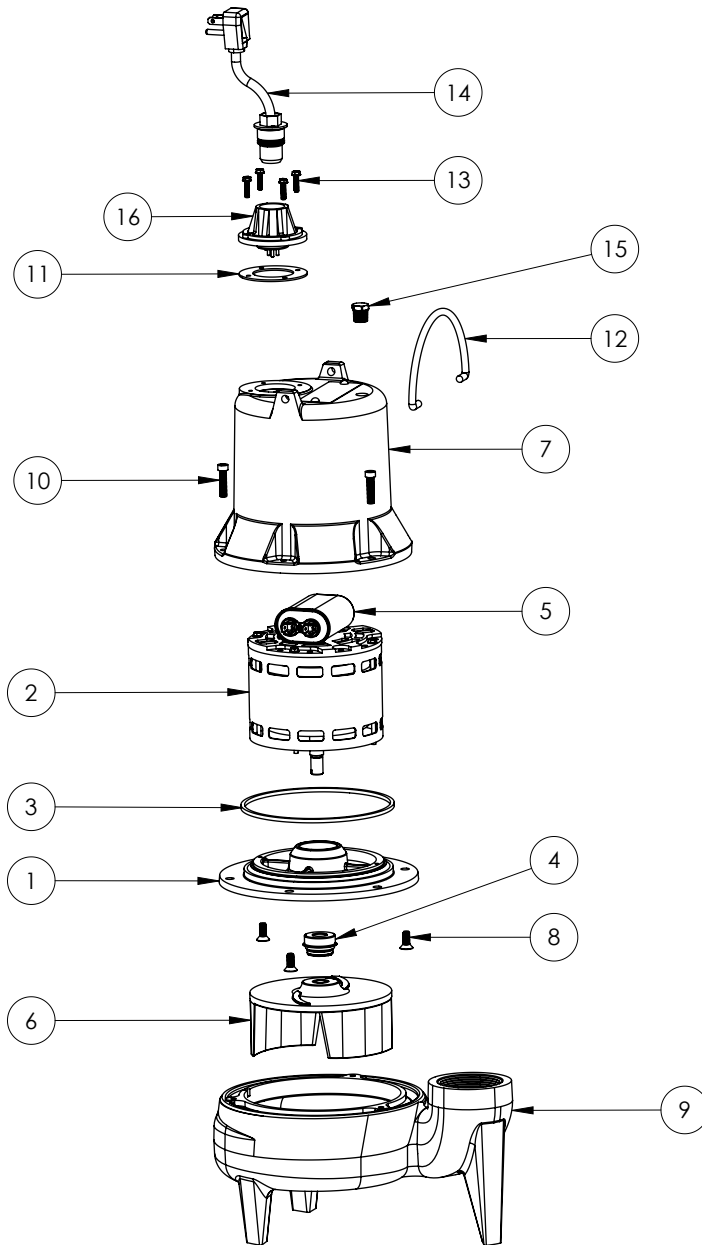
#	PART #	DESCRIPTION	QTY	Note
1	509200R	MOTOR SUPPORT PLATE	1	
2	5197200	MOTOR .5HP WITH BALL BEARING	1	
3	5066000	SEALRING, MOTOR COVER, #254S	1	[1]
4	50980A0	1/2 INCH UNITIZED SEAL	1	[1]
5	51930E0	CAPACITOR	1	
6	K001039	IMPELLER	1	
7	527800R	MOTOR CAP	1	
8	8018000	1/4-20 x 5/8 SLOTTED FLAT HEAD BOLT	3	
9	545100R	HOUSING, VOLUTE	1	
10	8091000	1/4-20 x 1 HEX SOCKET HEAD BOLT	3	
11	5060000	CORD PLATE GASKET	1	
12	K001095	STAINLESS STEEL HANDLE	1	
13	8064000	#8-32 x 5/8 HEX WASHER HEAD SCREW	4	
14	K001010	POWER CORD, 115V, 10 FOOT CORD	1	
15	5071000	BRASS OIL PLUG	1	
16	5014000	CORD PLATE	1	

PART NOTES:

[1] - Part requires factory authorized service. Contact Liberty Pumps at 1-800-543-2550

LE51M

LE51M (B41)



Liberty
Pumps

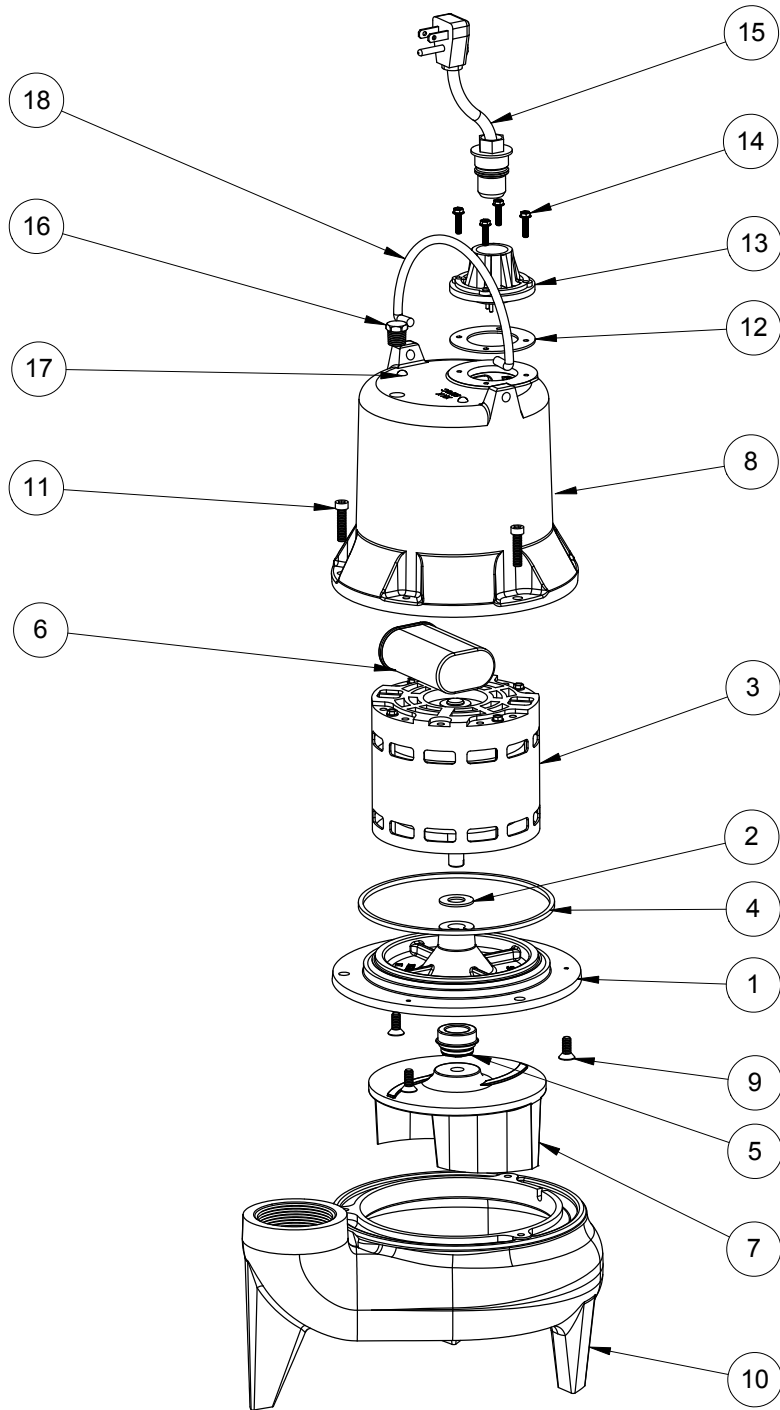
LE51M**LE51M (B41)**

#	PART #	DESCRIPTION	QTY	Note
1	509200R	MOTOR SUPPORT PLATE	1	
2	51972A0	MOTOR 1/2HP WITH BALL BEARINGMOTOR .5HP WITH BALL BEARING	1	[1]
3	5066000	SEALRING, MOTOR COVER, #254S	1	[1]
4	50980A0	1/2 INCH UNITIZED SEAL	1	[1]
5	51930E0	CAPACITOR	1	
6	K001039	IMPELLER	1	
7	527800R	MOTOR CAPMOTOR CAP, BROWN	1	
8	8018000	1/4-20 x 5/8 SLOTTED FLAT HEAD BOLT1/4-20X5/8 SLOTTED FLAT HEAD	3	
9	545100R	HOUSING, VOLUTEHOUSING, VOLUTE, BROWN	1	
10	8091000	1/4-20 x 1 HEX SOCKET HEAD BOLT	3	
11	5060000	CORD PLATE GASKET	1	
12	K001095	STAINLESS STEEL HANDLE	1	
13	8064000	#8-32 x 5/8 HEX WASHER HEAD SCREW#8-32 x 5/8 HEX WASHER HEAD	4	
14	K001010	POWER CORD, 115V, 10 FOOT CORDPOWER CORD, 115V 10ft CORD	1	
15	5071000	BRASS OIL PLUG	1	
16	5014000	CORD PLATE	1	

PART NOTES:

[1] - Part requires factory authorized service. Contact Liberty Pumps at 1-800-543-2550

LE51M-2 (B10)



LE51M-2**LE51M-2 (B10)**

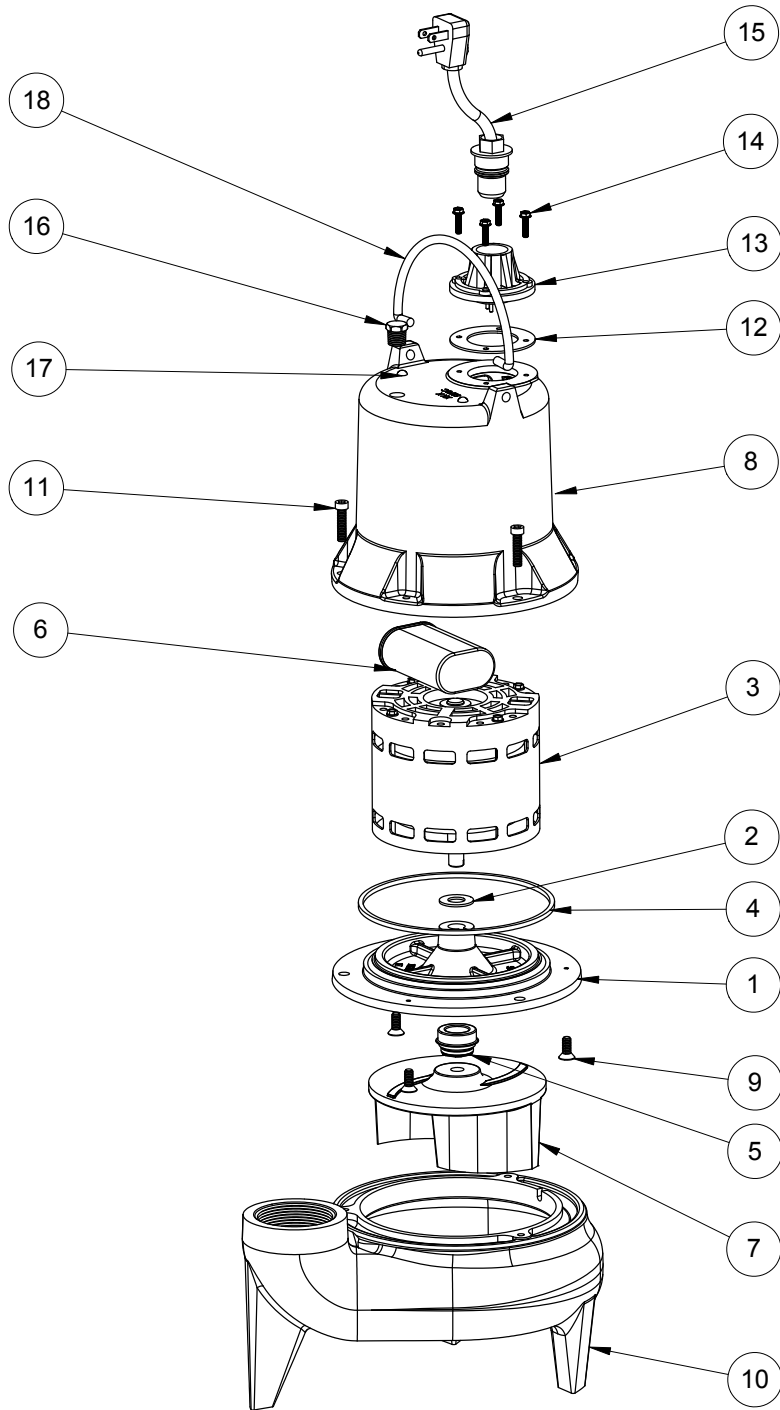
#	PART #	DESCRIPTION	QTY	Note
1	5052000	MOTOR SUPPORT PLATE	1	
2	5395000	THRUST WASHER	1	
3	5176000	MOTOR ASSEMBLY, .5HP	1	
4	5066000	SEALRING, MOTOR COVER, #254S	1	[1]
5	5098000	1/2 INCH UNITIZED SEAL	1	
6	51930C0	CAPACITOR	1	
7	K001039	IMPELLER	1	
8	527800R	MOTOR CAP	1	
9	8018000	1/4-20 x 5/8 SLOTTED FLAT HEAD BOLT	3	
10	545100R	HOUSING, VOLUTE	1	
11	8091000	1/4-20 x 1 HEX SOCKET HEAD BOLT	3	
12	5060000	CORD PLATE GASKET	1	
13	5014000	CORD PLATE	1	
14	8064000	#8-32 x 5/8 HEX WASHER HEAD SCREW	4	
15	K001008	POWER CORD, 115V, 25 FOOT CORD	1	
16	5071000	BRASS OIL PLUG	1	
17	8033000	#8 x 1/4 STAINLESS STEEL SCREW	2	
18	K001095	STAINLESS STEEL HANDLE	1	

PART NOTES:

[1] - Part requires factory authorized service. Contact Liberty Pumps at 1-800-543-2550

LE51M-2

LE51M-2 (B20)



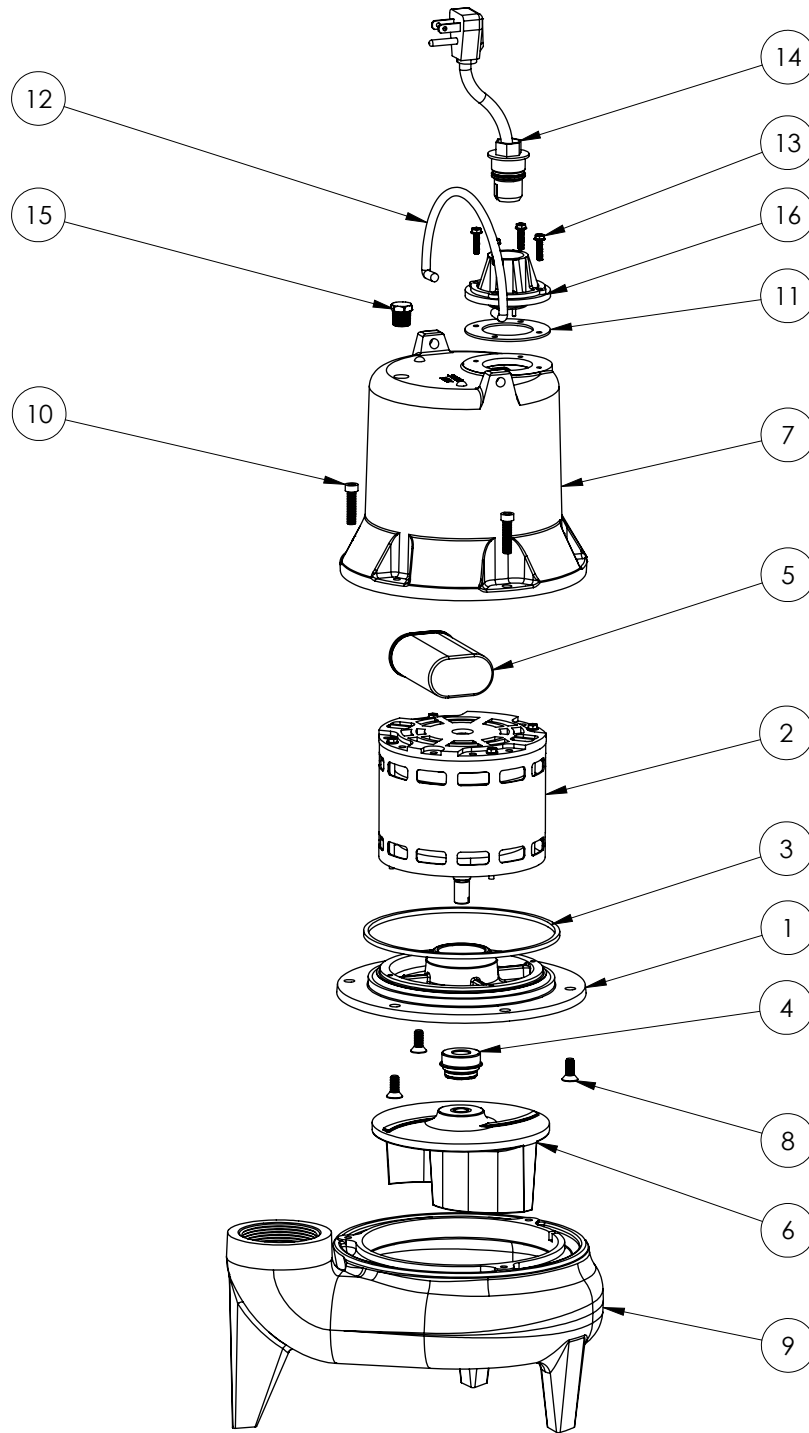
LE51M-2**LE51M-2 (B20)**

#	PART #	DESCRIPTION	QTY	Note
1	5052000	MOTOR SUPPORT PLATE	1	
2	5395000	THRUST WASHER	1	
3	5176000	MOTOR ASSEMBLY, .5HP	1	
4	5066000	SEALRING, MOTOR COVER, #254S	1	[1]
5	5098000	1/2 INCH UNITIZED SEAL	1	
6	51930C0	CAPACITOR	1	
7	K001039	IMPELLER	1	
8	527800R	MOTOR CAP	1	
9	8018000	1/4-20 x 5/8 SLOTTED FLAT HEAD BOLT	3	
10	545100R	HOUSING, VOLUTE	1	
11	8091000	1/4-20 x 1 HEX SOCKET HEAD BOLT	3	
12	5060000	CORD PLATE GASKET	1	
13	5014000	CORD PLATE	1	
14	8064000	#8-32 x 5/8 HEX WASHER HEAD SCREW	4	
15	K001008	POWER CORD, 115V, 25 FOOT CORD	1	
16	5071000	BRASS OIL PLUG	1	
17	8033000	#8 x 1/4 STAINLESS STEEL SCREW	2	
18	K001095	STAINLESS STEEL HANDLE	1	

PART NOTES:

[1] - Part requires factory authorized service. Contact Liberty Pumps at 1-800-543-2550

LE51M-2 (B32)



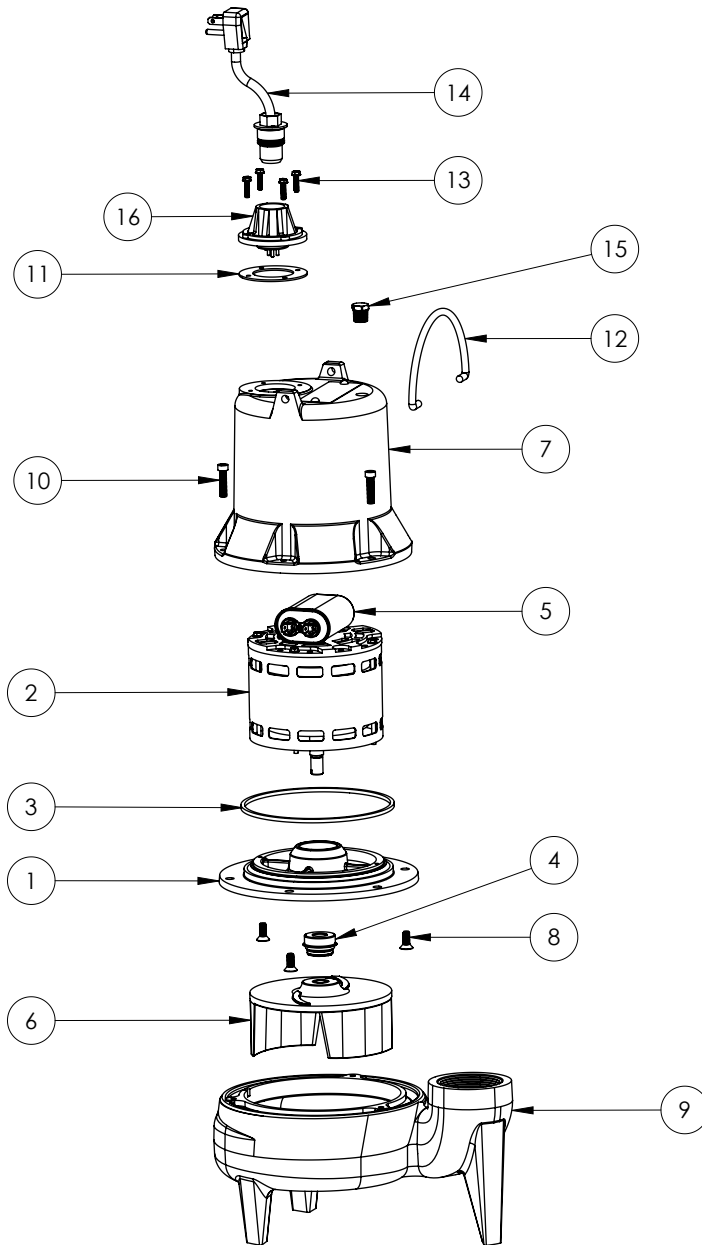
LE51M-2**LE51M-2 (B32)**

#	PART #	DESCRIPTION	QTY	Note
1	509200R	MOTOR SUPPORT PLATE	1	
2	5197200	MOTOR .5HP WITH BALL BEARING	1	
3	5066000	SEALRING, MOTOR COVER, #254S	1	[1]
4	50980A0	1/2 INCH UNITIZED SEAL	1	[1]
5	51930E0	CAPACITOR	1	
6	K001039	IMPELLER	1	
7	527800R	MOTOR CAP	1	
8	8018000	1/4-20 x 5/8 SLOTTED FLAT HEAD BOLT	3	
9	545100R	HOUSING, VOLUTE	1	
10	8091000	1/4-20 x 1 HEX SOCKET HEAD BOLT	3	
11	5060000	CORD PLATE GASKET	1	
12	K001095	STAINLESS STEEL HANDLE	1	
13	8064000	#8-32 x 5/8 HEX WASHER HEAD SCREW	4	
14	K001008	POWER CORD, 115V, 25 FOOT CORD	1	
15	5071000	BRASS OIL PLUG	1	
16	5014000	CORD PLATE	1	

PART NOTES:

[1] - Part requires factory authorized service. Contact Liberty Pumps at 1-800-543-2550

LE51M-2 (B41)



LE51M-2**LE51M-2 (B41)**

#	PART #	DESCRIPTION	QTY	Note
1	509200R	MOTOR SUPPORT PLATE	1	
2	51972A0	MOTOR 1/2HP WITH BALL BEARINGMOTOR .5HP WITH BALL BEARING	1	[1]
3	5066000	SEALRING, MOTOR COVER, #254S	1	[1]
4	50980A0	1/2 INCH UNITIZED SEAL	1	[1]
5	51930E0	CAPACITOR	1	
6	K001039	IMPELLER	1	
7	527800R	MOTOR CAPMOTOR CAP, BROWN	1	
8	8018000	1/4-20 x 5/8 SLOTTED FLAT HEAD BOLT1/4-20X5/8 SLOTTED FLAT HEAD	3	
9	545100R	HOUSING, VOLUTEHOUSING, VOLUTE, BROWN	1	
10	8091000	1/4-20 x 1 HEX SOCKET HEAD BOLT	3	
11	5060000	CORD PLATE GASKET	1	
12	K001095	STAINLESS STEEL HANDLE	1	
13	8064000	#8-32 x 5/8 HEX WASHER HEAD SCREW#8-32 x 5/8 HEX WASHER HEAD	4	
14	K001008	POWER CORD, 115V, 25 FOOT CORDPOWER CORD, 115V 25ft CORD	1	
15	5071000	BRASS OIL PLUG	1	
16	5014000	CORD PLATE	1	

PART NOTES:

[1] - Part requires factory authorized service. Contact Liberty Pumps at 1-800-543-2550