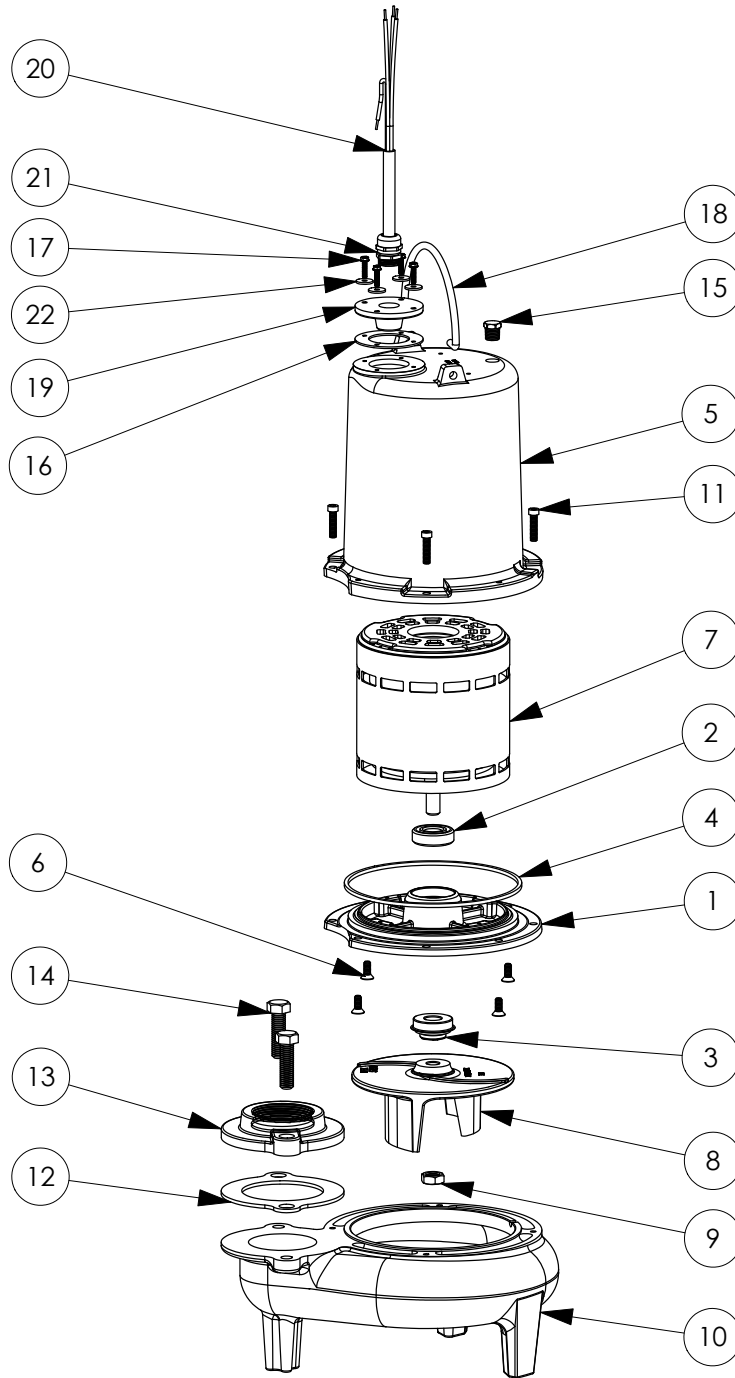


LE105M2-2 (B10)



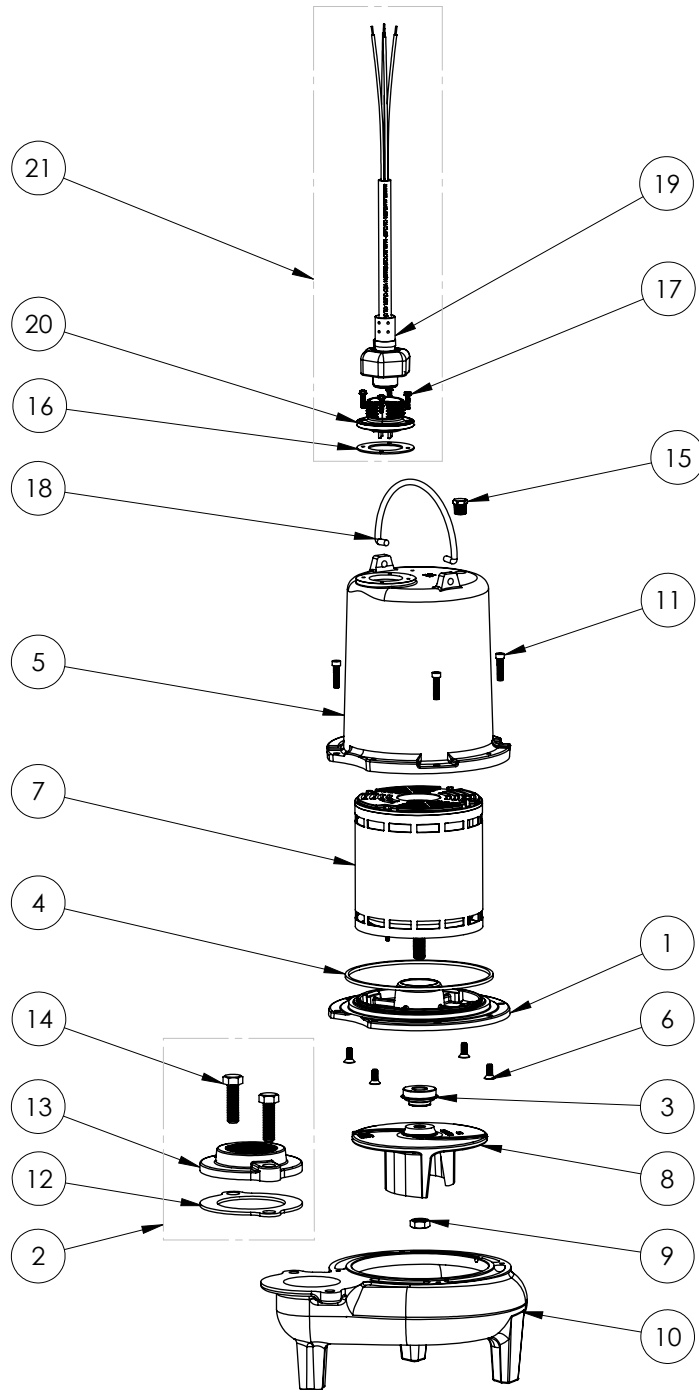
LE105M2-2**LE105M2-2 (B10)**

#	PART #	DESCRIPTION	QTY	Note
1	510100R	MOTOR SUPPORT PLATE	1	
2	5124000	BEARING	1	
3	5120000	5/8 INCH UNITIZED SHAFT SEAL	1	[1]
4	5107000	MOTOR COVER SEALRING	1	[1]
5	527700R	MOTOR COVER	1	
6	8018000	1/4-20 x 5/8 SLOTTED FLAT HEAD BOLT	4	
7	5346000	MOTOR	1	
8	K001486	5131000 IMPELLER KIT, INCLUDES 1/2" JAM NUT	1	
9	8046000	1/2-20 HEX STAINLESS STEEL JAM NUT	1	
10	510200R	VOLUTE HOUSING	1	
11	8091000	1/4-20 x 1 HEX SOCKET HEAD BOLT	4	
12	5129000	FLANGE GASKET, FITS 2" OR 3"	1	
13	K001221	2" DISCHARGE KIT	1	
14	8037000	1/2-13 x 1-3/4 STAINLESS STEEL BOLT	2	
15	5071000	BRASS OIL PLUG	1	
16	5060000	CORD PLATE GASKET	1	
17	8064000	#8-32 x 5/8 HEX WASHER HEAD SCREW	4	
18	K001095	STAINLESS STEEL HANDLE	1	
19	5396000	CORD PLATE	1	
20	54000A0	POWER CORD KIT, CAST IRON 3PH 25ft CORD	1	
21	5397000	CORD PLATE NUT	1	
22	8140000	#8 FLAT WASHER TYPE B WIDE SS	4	

PART NOTES:

[1] - Part requires factory authorized service. Contact Liberty Pumps at 1-800-543-2550

LE105M2-2 (B25)



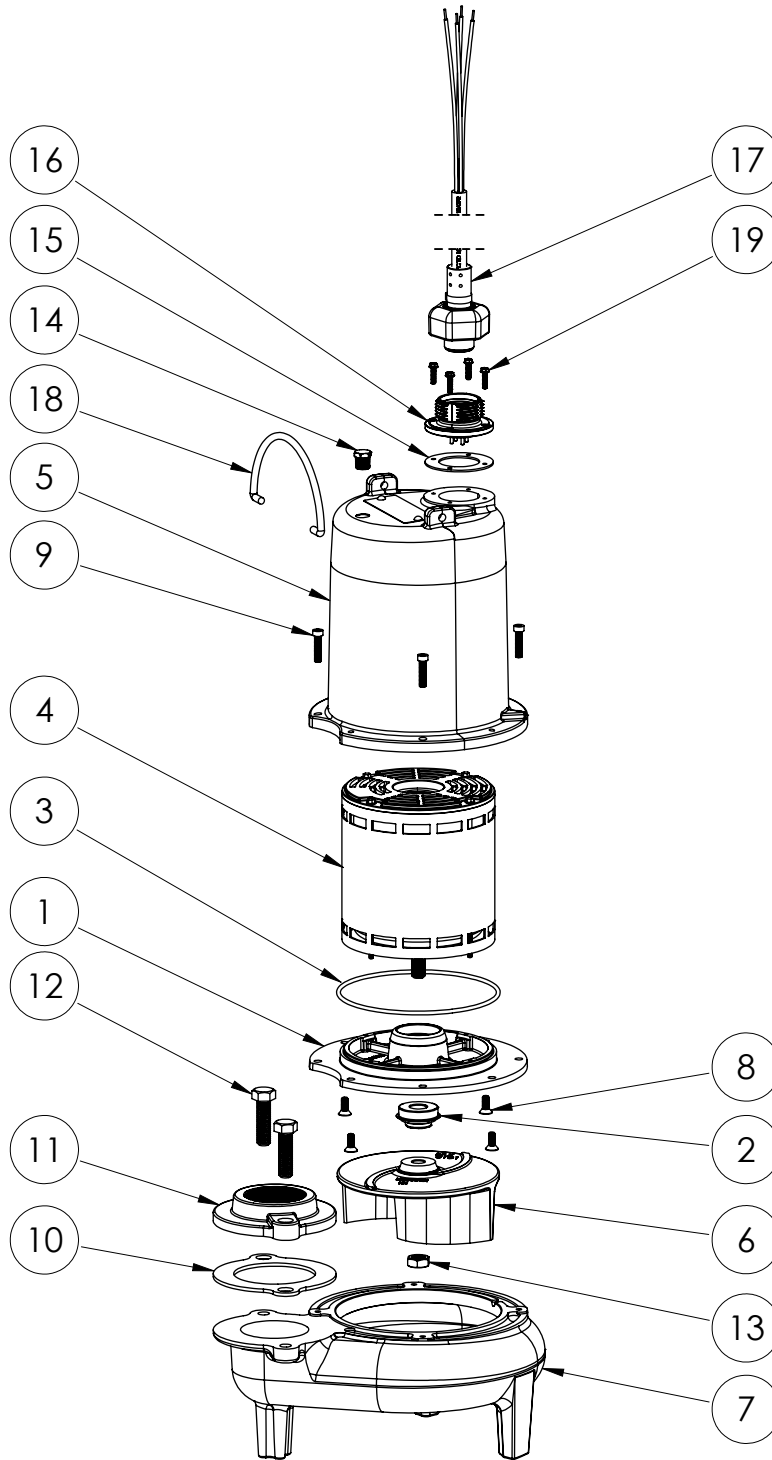
LE105M2-2**LE105M2-2 (B25)**

#	PART #	DESCRIPTION	QTY	Note
1	510100R	MOTOR SUPPORT PLATE	1	
2	K001221	2" DISCHARGE KIT	1	
3	5120000	5/8 INCH UNITIZED SHAFT SEAL	1	[1]
4	5107000	MOTOR COVER SEALRING	1	[1]
5	527700R	MOTOR COVER	1	
6	8018000	1/4-20 x 5/8 SLOTTED FLAT HEAD BOLT	4	
7	5346000	MOTOR	1	
8	K001486	5131000 IMPELLER KIT, INCLUDES 1/2" JAM NUT	1	
9	8046000	1/2-20 HEX STAINLESS STEEL JAM NUT	1	
10	510200R	VOLUTE HOUSING	1	
11	8091000	1/4-20 x 1 HEX SOCKET HEAD BOLT	4	
12	5129000	FLANGE GASKET, FITS 2" OR 3"	1	
13	K001221	2" DISCHARGE KIT	1	
14	8037000	1/2-13 x 1-3/4 STAINLESS STEEL BOLT	2	
15	5071000	BRASS OIL PLUG	1	
16	5060000	CORD PLATE GASKET	1	
17	8064000	#8-32 x 5/8 HEX WASHER HEAD SCREW	4	
18	K001095	STAINLESS STEEL HANDLE	1	
19	K001357	POWER CORD, 25FT	1	
20	5629000	GRINDER CORDPLATE	1	
21	K001150	POWER CORD KIT	1	

PART NOTES:

[1] - Part requires factory authorized service. Contact Liberty Pumps at 1-800-543-2550

LE105M2-2 (B61)



LE105M2-2B61

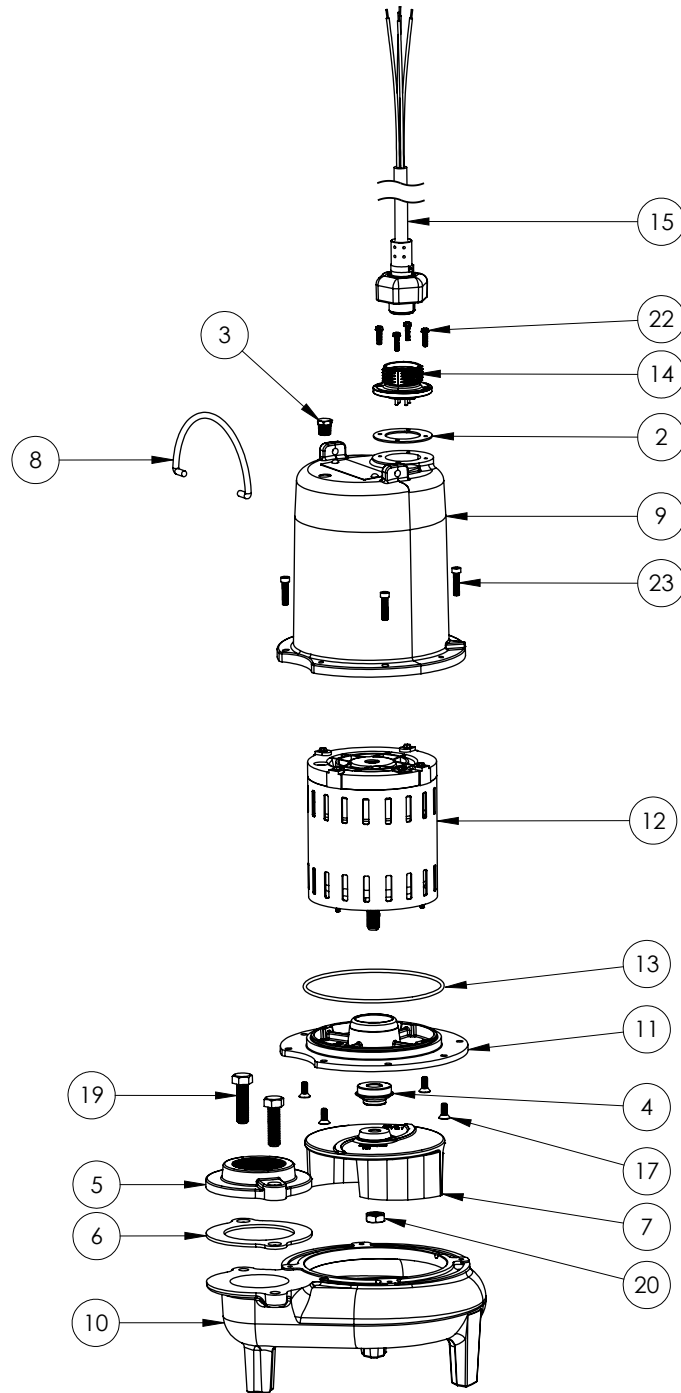
LE105M2-2**LE105M2-2 (B61)**

#	PART #	DESCRIPTION	QTY	Note
1	532600R	MOTOR SUPPORT PLATE	1	
2	5120000	5/8 INCH UNITIZED SHAFT SEAL	1	[1]
3	5617000	O-RING	1	
4	5346000	MOTOR	1	
5	531400R	MOTOR COVER	1	
6	K001486	5131000 IMPELLER KIT, INCLUDES 1/2" JAM NUT	1	
7	531500R	VOLUTE HOUSING	1	
8	8018000	1/4-20 x 5/8 SLOTTED FLAT HEAD BOLT	4	
9	8091000	1/4-20 x 1 HEX SOCKET HEAD BOLT	4	
10	5129000	FLANGE GASKET, FITS 2" OR 3"	1	
11	K001221	2" DISCHARGE KIT	1	
12	8037000	1/2-13 x 1-3/4 STAINLESS STEEL BOLT	2	
13	8046000	1/2-20 HEX STAINLESS STEEL JAM NUT	1	
14	5071000	BRASS OIL PLUG	1	
15	5060000	CORD PLATE GASKET	1	
16	5629000	GRINDER CORDPLATE	1	
17	K001357	POWER CORD, 25FT	1	
18	K001095	STAINLESS STEEL HANDLE	1	
19	8064000	#8-32 x 5/8 HEX WASHER HEAD SCREW	4	

PART NOTES:

[1] - Part requires factory authorized service. Contact Liberty Pumps at 1-800-543-2550

LE105M2-2 (B62)



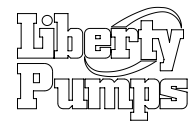
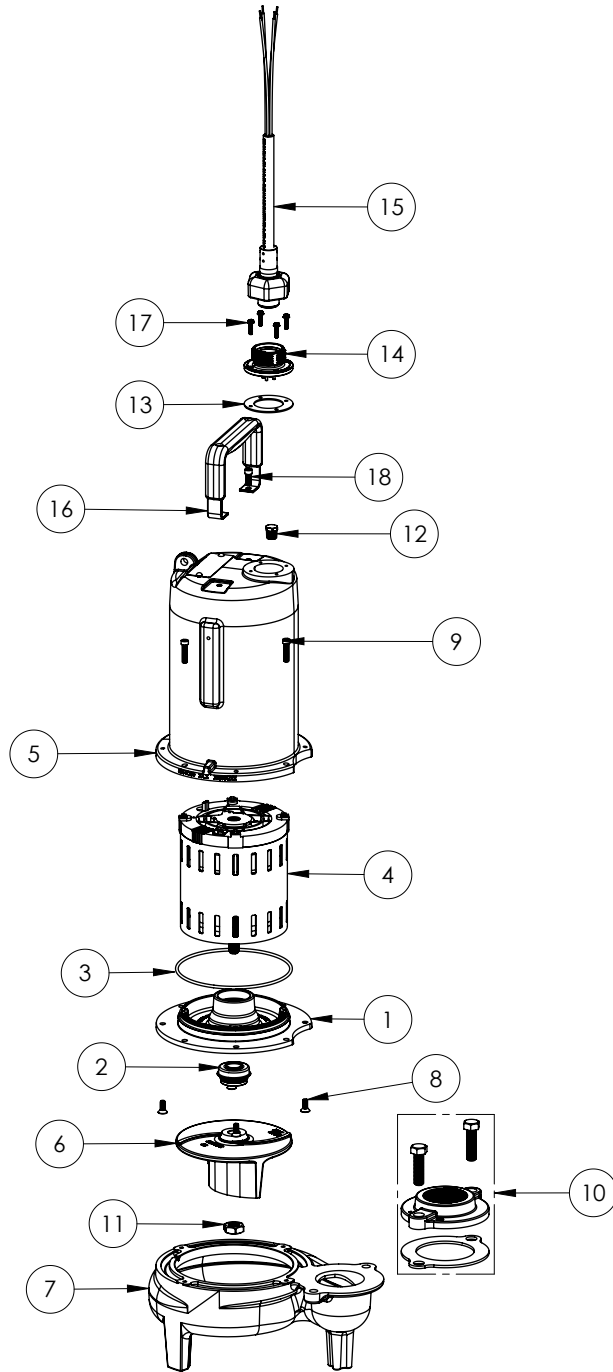
LE105M2-2**LE105M2-2 (B62)**

#	PART #	DESCRIPTION	QTY	Note
2	5060000	CORD PLATE GASKET	1	
3	5071000	BRASS OIL PLUG	1	
4	5120000	5/8 INCH UNITIZED SHAFT SEAL	1	[1]
5	K001221	2" DISCHARGE KIT	1	
6	5129000	FLANGE GASKET, FITS 2" OR 3"	1	
7	K001486	5131000 IMPELLER KIT, INCLUDES 1/2" JAM NUT	1	
8	K001095	STAINLESS STEEL HANDLE	1	
9	531400R	MOTOR COVER	1	
10	531500R	VOLUTE HOUSING	1	
11	53260B0	MOTOR PLATE	1	[1]
12	5332000	MOTOR	1	[1]
13	5617000	O-RING	1	
14	5629000	GRINDER CORDPLATE	1	
15	K001357	POWER CORD, 25FT	1	
17	8018000	1/4-20 x 5/8 SLOTTED FLAT HEAD BOLT	4	
19	8037000	1/2-13 x 1-3/4 STAINLESS STEEL BOLT	2	
20	8046000	1/2-20 HEX STAINLESS STEEL JAM NUT	1	
22	8064000	#8-32 x 5/8 HEX WASHER HEAD SCREW	4	
23	8091000	1/4-20 x 1 HEX SOCKET HEAD BOLT	4	

PART NOTES:

[1] - Part requires factory authorized service. Contact Liberty Pumps at 1-800-543-2550

LE105M2-2 (B72)



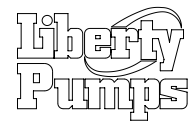
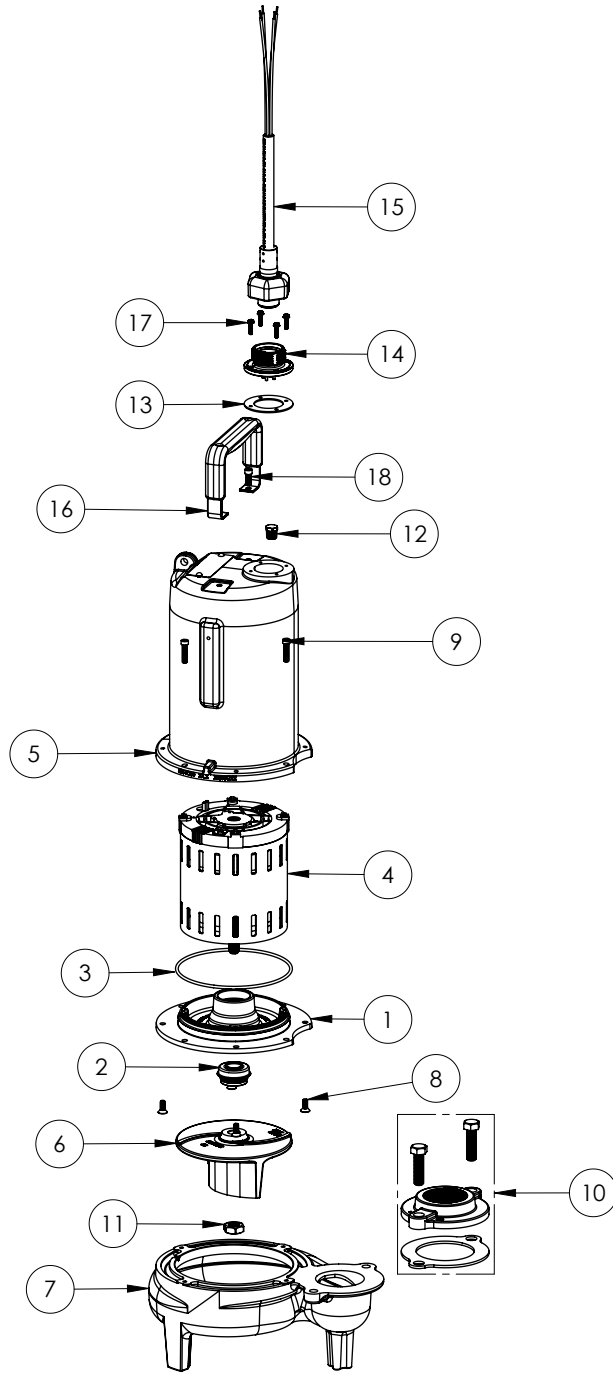
LE105M2-2**LE105M2-2 (B72)**

#	PART #	DESCRIPTION	QTY	Note
1	53260BR	MOTOR SUPPORT PLATE	1	
2	5120000	5/8 INCH UNITIZED SHAFT SEAL	1	[1]
3	5617000	O-RING	1	
4	5334000	MOTOR LE105 3PHASE	1	
5	531400R	MOTOR COVER	1	
6	K001486	5131000 IMPELLER KIT, INCLUDES 1/2" JAM NUT	1	
7	531500R	VOLUTE HOUSING	1	
8	8018000	1/4-20 x 5/8 SLOTTED FLAT HEAD BOLT	4	
9	8091000	1/4-20 x 1 HEX SOCKET HEAD BOLT	1	
10	K001221	2" DISCHARGE KIT	1	
11	8046000	1/2-20 HEX STAINLESS STEEL JAM NUT	1	
12	5071000	BRASS OIL PLUG	1	
13	5060000	CORD PLATE GASKET	1	
14	5629000	GRINDER CORDPLATE	1	
15	K001357	POWER CORD, 25FT	1	
16	3411200	HANDLE	1	
17	8064000	#8-32 x 5/8 HEX WASHER HEAD SCREW	1	
18	8103000	SCREW 1/4-20x5/8" HX SKT SS	1	

PART NOTES:

[1] - Part requires factory authorized service. Contact Liberty Pumps at 1-800-543-2550

LE105M2-2 (B75)



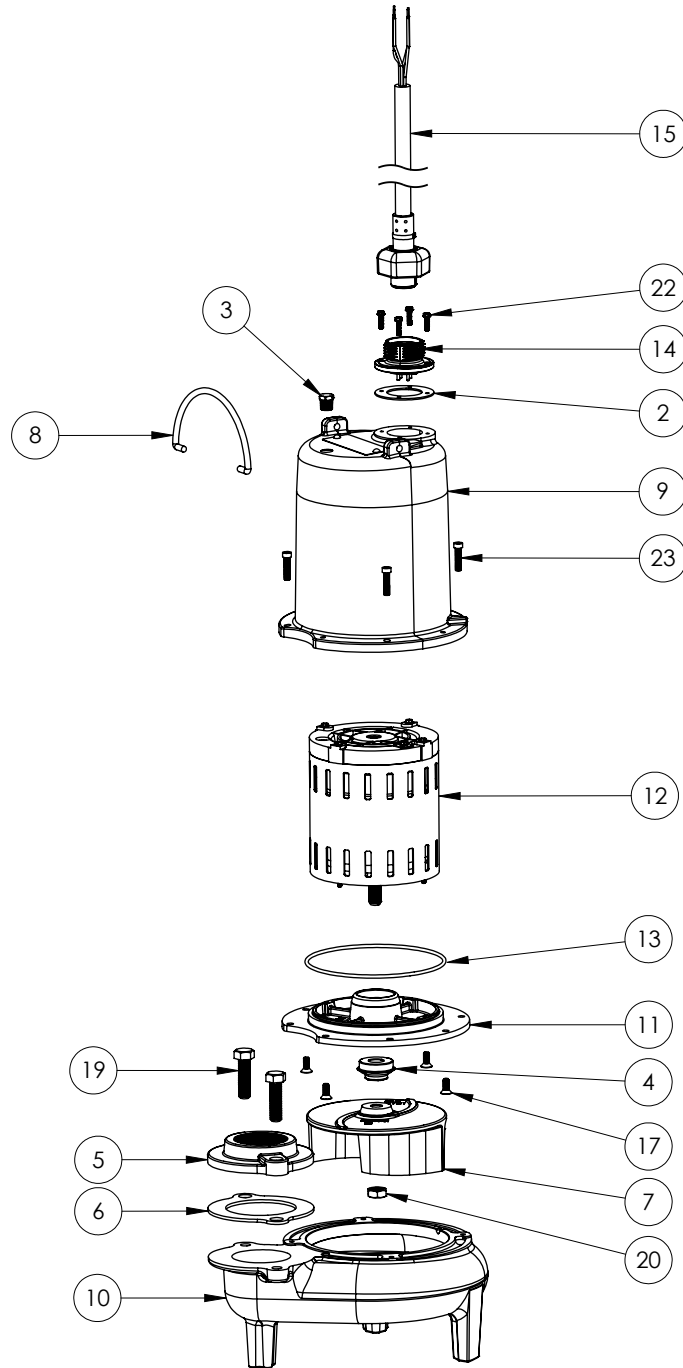
LE105M2-2**LE105M2-2 (B75)**

#	PART #	DESCRIPTION	QTY	Note
1	537600R	MOTOR PLATE LE100 3PHASE	1	
2	5633000	3/4" UNITIZED SHAFT SEAL	1	[1]
3	5617000	O-RING	1	
4	5334000	MOTOR LE105 3PHASE	1	
5	531400R	MOTOR COVER	1	
6	K001487	51310A0 IMPELLER KIT, INCLUDES 5/8" JAM NUT	1	
7	531500R	VOLUTE HOUSING	1	
8	8018000	1/4-20 x 5/8 SLOTTED FLAT HEAD BOLT	4	
9	8091000	1/4-20 x 1 HEX SOCKET HEAD BOLT	4	
10	K001221	2" DISCHARGE KIT	1	
11	5887000	NUT, JAM, 5/8-18 HEX S.S.	1	
12	5071000	BRASS OIL PLUG	1	
13	5060000	CORD PLATE GASKET	1	
14	5629000	GRINDER CORDPLATE	1	
15	K001357	POWER CORD, 25FT	1	
16	3411200	HANDLE	1	
17	8064000	#8-32 x 5/8 HEX WASHER HEAD SCREW	4	
18	8103000	SCREW 1/4-20x5/8" HX SKT SS	2	

PART NOTES:

[1] - Part requires factory authorized service. Contact Liberty Pumps at 1-800-543-2550

LE105M2-3 (B62)



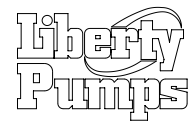
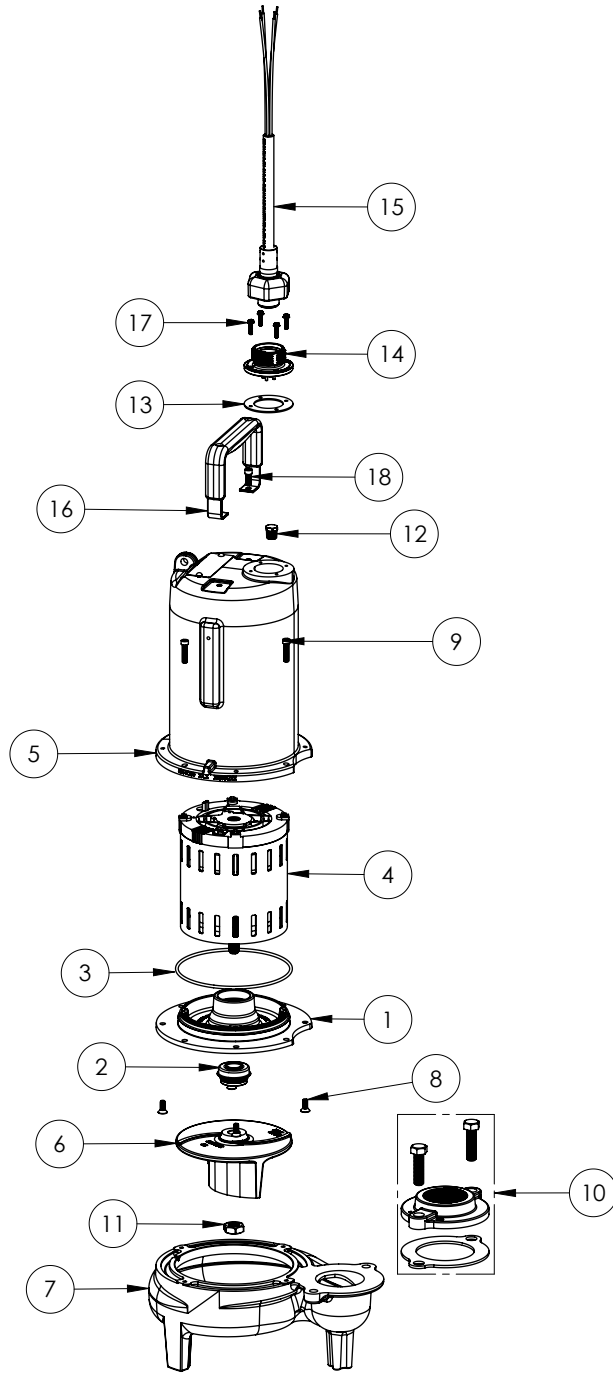
LE105M2-3**LE105M2-3 (B62)**

#	PART #	DESCRIPTION	QTY	Note
2	5060000	CORD PLATE GASKET	1	
3	5071000	BRASS OIL PLUG	1	
4	5120000	5/8 INCH UNITIZED SHAFT SEAL	1	[1]
5	K001221	2" DISCHARGE KIT	1	
6	5129000	FLANGE GASKET, FITS 2" OR 3"	1	
7	K001486	5131000 IMPELLER KIT, INCLUDES 1/2" JAM NUT	1	
8	K001095	STAINLESS STEEL HANDLE	1	
9	531400R	MOTOR COVER	1	
10	531500R	VOLUTE HOUSING	1	
11	53260B0	MOTOR PLATE	1	[1]
12	5332000	MOTOR	1	[1]
13	5617000	O-RING	1	
14	5629000	GRINDER CORDPLATE	1	
15	K001358	POWER CORD, 35FT	1	
17	8018000	1/4-20 x 5/8 SLOTTED FLAT HEAD BOLT	4	
19	8037000	1/2-13 x 1-3/4 STAINLESS STEEL BOLT	2	
20	8046000	1/2-20 HEX STAINLESS STEEL JAM NUT	1	
22	8064000	#8-32 x 5/8 HEX WASHER HEAD SCREW	4	
23	8091000	1/4-20 x 1 HEX SOCKET HEAD BOLT	4	

PART NOTES:

[1] - Part requires factory authorized service. Contact Liberty Pumps at 1-800-543-2550

LE105M2-3 (B72)



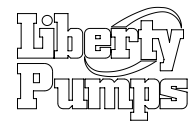
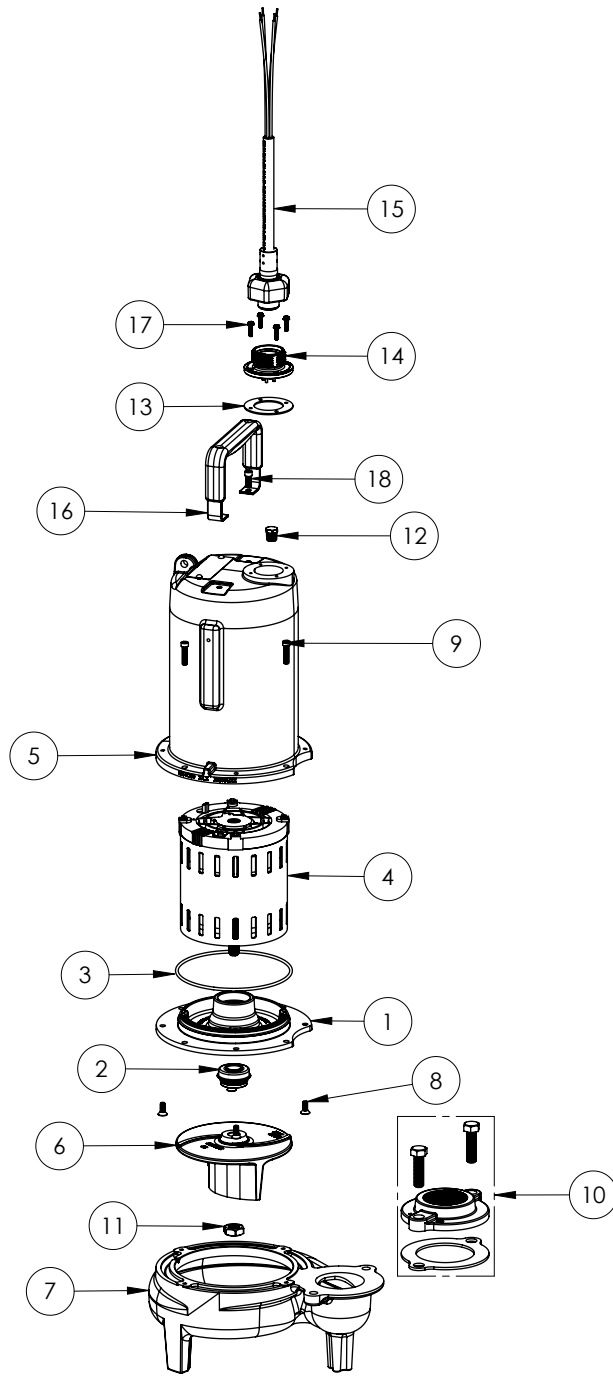
LE105M2-3**LE105M2-3 (B72)**

#	PART #	DESCRIPTION	QTY	Note
1	53260BR	MOTOR SUPPORT PLATE	1	
2	5120000	5/8 INCH UNITIZED SHAFT SEAL	1	[1]
3	5617000	O-RING	1	
4	5334000	MOTOR LE105 3PHASE	1	
5	531400R	MOTOR COVER	1	
6	K001486	5131000 IMPELLER KIT, INCLUDES 1/2" JAM NUT	1	
7	531500R	VOLUTE HOUSING	1	
8	8018000	1/4-20 x 5/8 SLOTTED FLAT HEAD BOLT	4	
9	8091000	1/4-20 x 1 HEX SOCKET HEAD BOLT	4	
10	K001221	2" DISCHARGE KIT	1	
11	8046000	1/2-20 HEX STAINLESS STEEL JAM NUT	1	
12	5071000	BRASS OIL PLUG	1	
13	5060000	CORD PLATE GASKET	1	
14	5629000	GRINDER CORDPLATE	1	
15	K001424	3PH POWER CORD 35FT	1	
16	3411200	HANDLE	1	
17	8064000	#8-32 x 5/8 HEX WASHER HEAD SCREW	4	
18	8103000	SCREW 1/4-20x5/8" HX SKT SS	2	

PART NOTES:

[1] - Part requires factory authorized service. Contact Liberty Pumps at 1-800-543-2550

LE105M2-3 (B75)



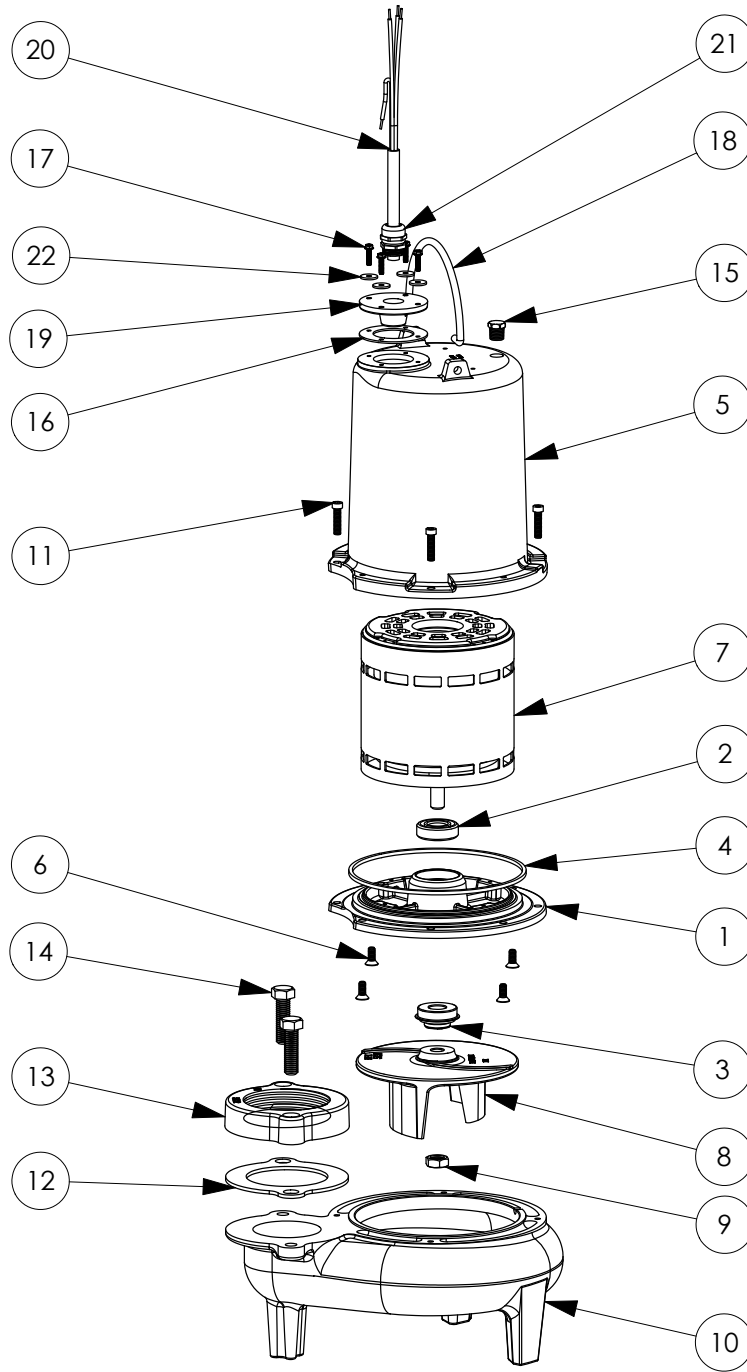
LE105M2-3**LE105M2-3 (B75)**

#	PART #	DESCRIPTION	QTY	Note
1	537600R	MOTOR PLATE LE100 3PHASE	1	
2	5633000	3/4" UNITIZED SHAFT SEAL	1	[1]
3	5617000	O-RING	1	
4	5334000	MOTOR LE105 3PHASE	1	
5	531400R	MOTOR COVER	1	
6	K001487	51310A0 IMPELLER KIT, INCLUDES 5/8" JAM NUT	1	
7	531500R	VOLUTE HOUSING	1	
8	8018000	1/4-20 x 5/8 SLOTTED FLAT HEAD BOLT	4	
9	8091000	1/4-20 x 1 HEX SOCKET HEAD BOLT	4	
10	K001221	2" DISCHARGE KIT	1	
11	5887000	NUT, JAM, 5/8-18 HEX S.S.	1	
12	5071000	BRASS OIL PLUG	1	
13	5060000	CORD PLATE GASKET	1	
14	5629000	GRINDER CORDPLATE	1	
15	K001424	3PH POWER CORD 35FT	1	
16	3411200	HANDLE	1	
17	8064000	#8-32 x 5/8 HEX WASHER HEAD SCREW	4	
18	8103000	SCREW 1/4-20x5/8" HX SKT SS	2	

PART NOTES:

[1] - Part requires factory authorized service. Contact Liberty Pumps at 1-800-543-2550

LE105M3-2 (B10)



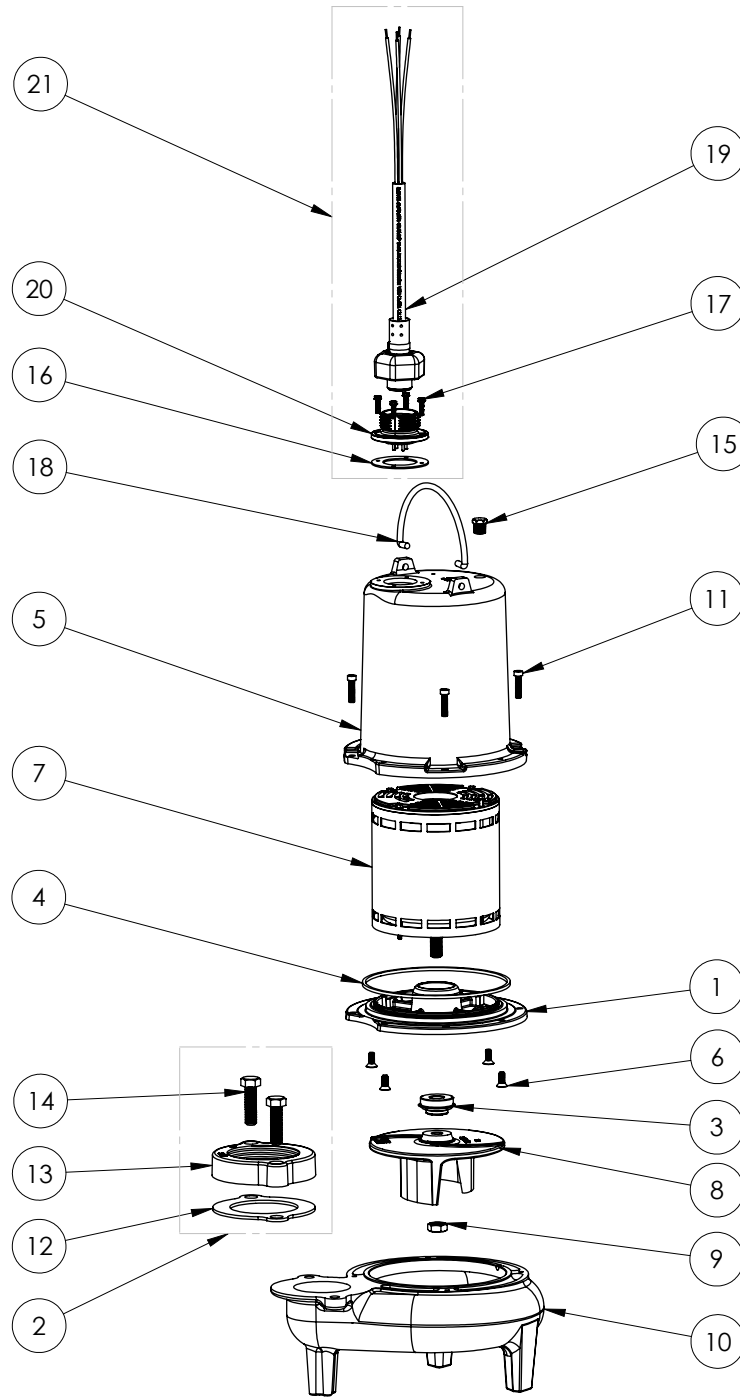
LE105M3-2**LE105M3-2 (B10)**

#	PART #	DESCRIPTION	QTY	Note
1	510100R	MOTOR SUPPORT PLATE	1	
2	5124000	BEARING	1	
3	5120000	5/8 INCH UNITIZED SHAFT SEAL	1	[1]
4	5107000	MOTOR COVER SEALRING	1	[1]
5	527700R	MOTOR COVER	1	
6	8018000	1/4-20 x 5/8 SLOTTED FLAT HEAD BOLT	4	
7	5346000	MOTOR	1	
8	K001486	5131000 IMPELLER KIT, INCLUDES 1/2" JAM NUT	1	
9	8046000	1/2-20 HEX STAINLESS STEEL JAM NUT	1	
10	510200R	VOLUTE HOUSING	1	
11	8091000	1/4-20 x 1 HEX SOCKET HEAD BOLT	4	
12	5129000	FLANGE GASKET, FITS 2" OR 3"	1	
13	K001222	3" DISCHARGE KIT	1	
14	8037000	1/2-13 x 1-3/4 STAINLESS STEEL BOLT	2	
15	5071000	BRASS OIL PLUG	1	
16	5060000	CORD PLATE GASKET	1	
17	8064000	#8-32 x 5/8 HEX WASHER HEAD SCREW	4	
18	K001095	STAINLESS STEEL HANDLE	1	
19	5396000	CORD PLATE	1	
20	54000A0	POWER CORD KIT, CAST IRON 3PH 25ft CORD	1	
21	5397000	CORD PLATE NUT	1	
22	8140000	#8 FLAT WASHER TYPE B WIDE SS	4	

PART NOTES:

[1] - Part requires factory authorized service. Contact Liberty Pumps at 1-800-543-2550

LE105M3-2 (B25)



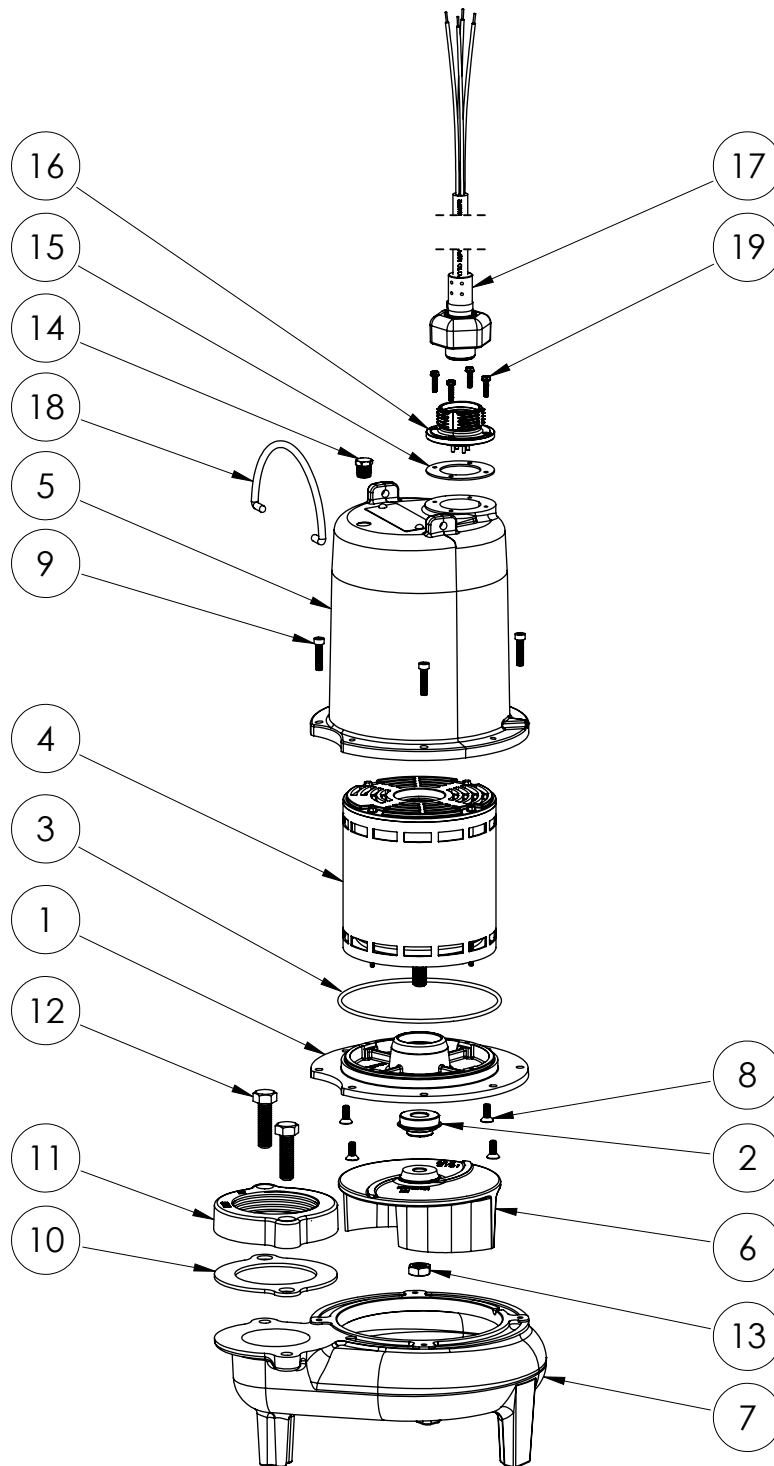
LE105M3-2**LE105M3-2 (B25)**

#	PART #	DESCRIPTION	QTY	Note
1	510100R	MOTOR SUPPORT PLATE	1	
2	K001222	3" DISCHARGE KIT	1	
3	5120000	5/8 INCH UNITIZED SHAFT SEAL	1	[1]
4	5107000	MOTOR COVER SEALRING	1	[1]
5	527700R	MOTOR COVER	1	
6	8018000	1/4-20 x 5/8 SLOTTED FLAT HEAD BOLT	4	
7	5346000	MOTOR	1	
8	K001486	5131000 IMPELLER KIT, INCLUDES 1/2" JAM NUT	1	
9	8046000	1/2-20 HEX STAINLESS STEEL JAM NUT	1	
10	510200R	VOLUTE HOUSING	1	
11	8091000	1/4-20 x 1 HEX SOCKET HEAD BOLT	4	
12	5129000	FLANGE GASKET, FITS 2" OR 3"	1	
13	K001222	3" DISCHARGE KIT	1	
14	8037000	1/2-13 x 1-3/4 STAINLESS STEEL BOLT	2	
15	5071000	BRASS OIL PLUG	1	
16	5060000	CORD PLATE GASKET	1	
17	8064000	#8-32 x 5/8 HEX WASHER HEAD SCREW	4	
18	K001095	STAINLESS STEEL HANDLE	1	
19	K001357	POWER CORD, 25FT	1	
20	5629000	GRINDER CORDPLATE	1	
21	K001150	POWER CORD KIT	1	

PART NOTES:

[1] - Part requires factory authorized service. Contact Liberty Pumps at 1-800-543-2550

LE105M3-2 (B61)



LE105M3-2B61

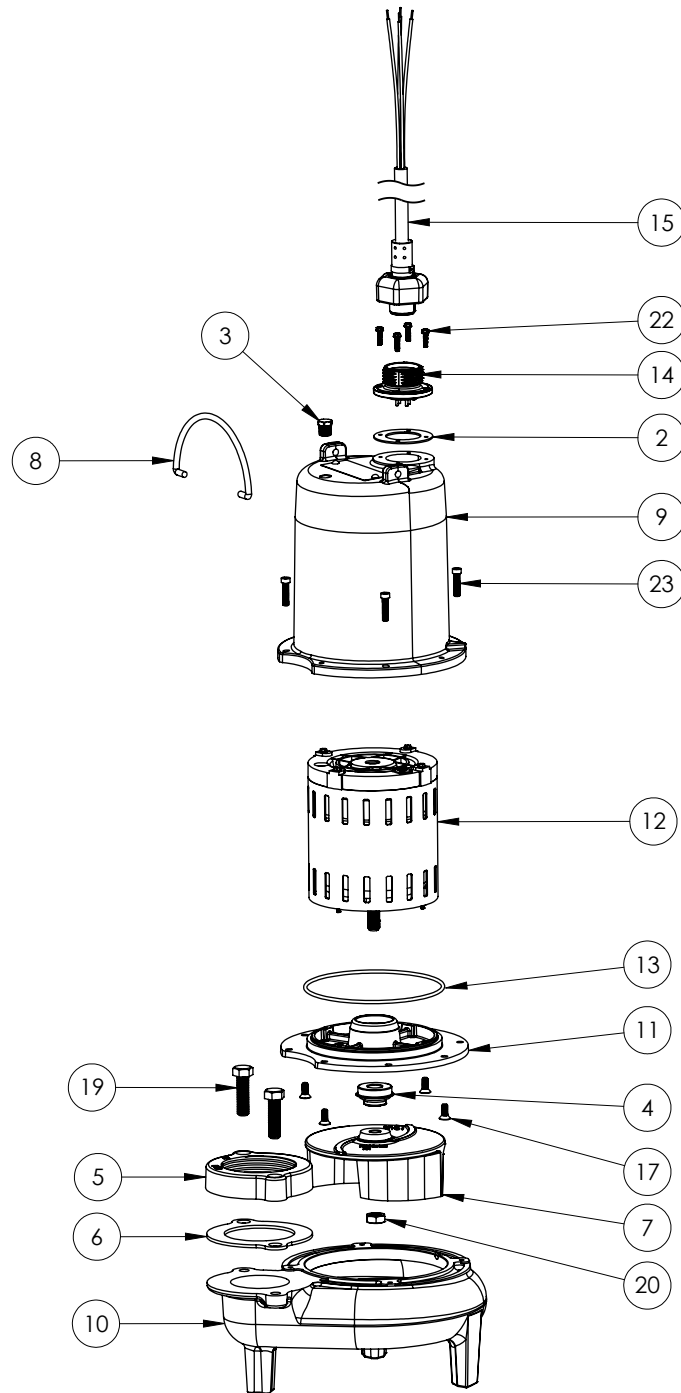
LE105M3-2**LE105M3-2 (B61)**

#	PART #	DESCRIPTION	QTY	Note
1	532600R	MOTOR SUPPORT PLATE	1	
2	5120000	5/8 INCH UNITIZED SHAFT SEAL	1	[1]
3	5617000	O-RING	1	
4	5346000	MOTOR	1	
5	531400R	MOTOR COVER	1	
6	K001486	5131000 IMPELLER KIT, INCLUDES 1/2" JAM NUT	1	
7	531500R	VOLUTE HOUSING	1	
8	8018000	1/4-20 x 5/8 SLOTTED FLAT HEAD BOLT	4	
9	8091000	1/4-20 x 1 HEX SOCKET HEAD BOLT	4	
10	5129000	FLANGE GASKET, FITS 2" OR 3"	1	
11	K001222	3" DISCHARGE KIT	1	
12	8037000	1/2-13 x 1-3/4 STAINLESS STEEL BOLT	2	
13	8046000	1/2-20 HEX STAINLESS STEEL JAM NUT	1	
14	5071000	BRASS OIL PLUG	1	
15	5060000	CORD PLATE GASKET	1	
16	5629000	GRINDER CORDPLATE	1	
17	K001357	POWER CORD, 25FT	1	
18	K001095	STAINLESS STEEL HANDLE	1	
19	8064000	#8-32 x 5/8 HEX WASHER HEAD SCREW	4	

PART NOTES:

[1] - Part requires factory authorized service. Contact Liberty Pumps at 1-800-543-2550

LE105M3-2 (B62)



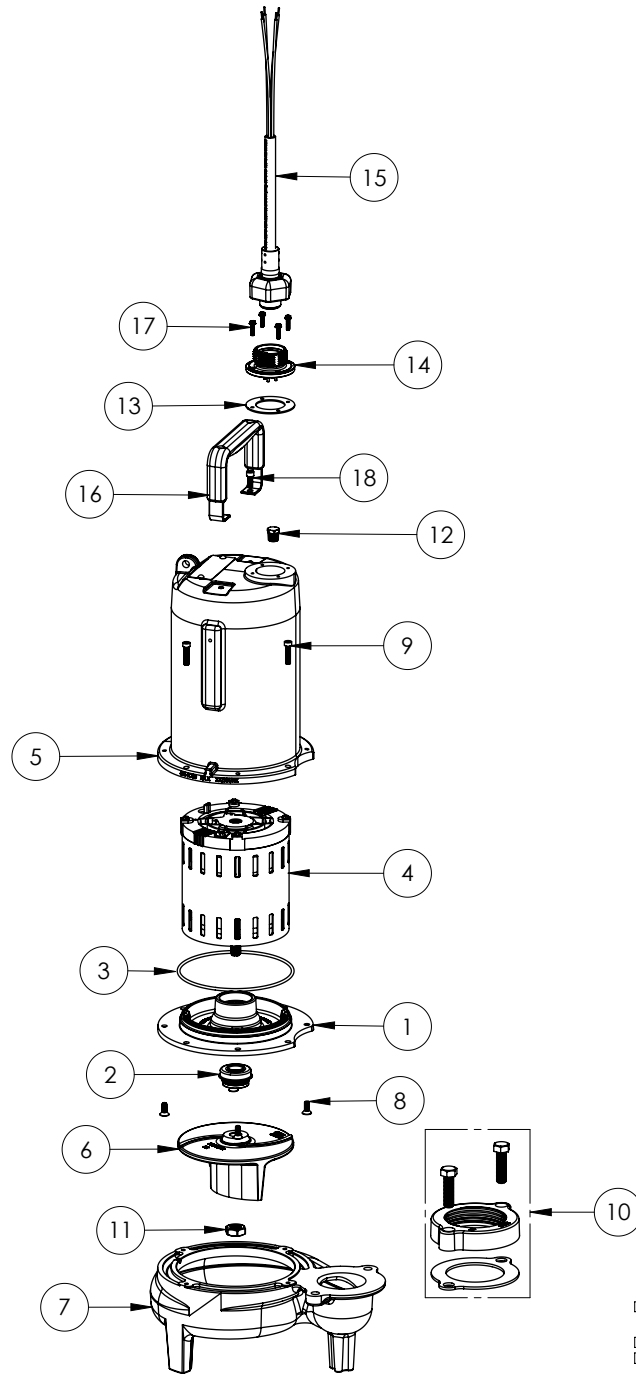
LE105M3-2**LE105M3-2 (B62)**

#	PART #	DESCRIPTION	QTY	Note
2	5060000	CORD PLATE GASKET	1	
3	5071000	BRASS OIL PLUG	1	
4	5120000	5/8 INCH UNITIZED SHAFT SEAL	1	[1]
5	K001222	3" DISCHARGE KIT	1	
6	5129000	FLANGE GASKET, FITS 2" OR 3"	1	
7	K001486	5131000 IMPELLER KIT, INCLUDES 1/2" JAM NUT	1	
8	K001095	STAINLESS STEEL HANDLE	1	
9	531400R	MOTOR COVER	1	
10	531500R	VOLUTE HOUSING	1	
11	53260B0	MOTOR PLATE	1	[1]
12	5334000	MOTOR LE105 3PHASE	1	
13	5617000	O-RING	1	
14	5629000	GRINDER CORDPLATE	1	
15	K001357	POWER CORD, 25FT	1	
17	8018000	1/4-20 x 5/8 SLOTTED FLAT HEAD BOLT	4	
19	8037000	1/2-13 x 1-3/4 STAINLESS STEEL BOLT	2	
20	8046000	1/2-20 HEX STAINLESS STEEL JAM NUT	1	
22	8064000	#8-32 x 5/8 HEX WASHER HEAD SCREW	4	
23	8091000	1/4-20 x 1 HEX SOCKET HEAD BOLT	4	

PART NOTES:

[1] - Part requires factory authorized service. Contact Liberty Pumps at 1-800-543-2550

LE105M3-2 (B72)



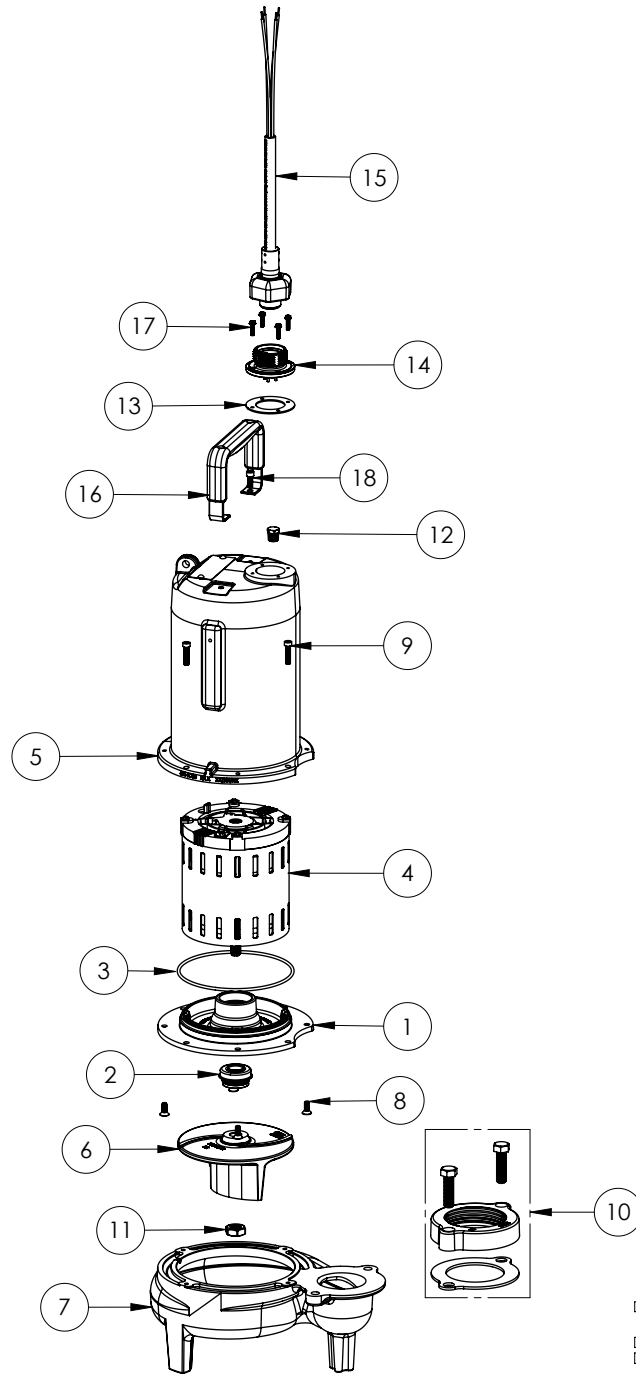
LE105M3-2**LE105M3-2 (B72)**

#	PART #	DESCRIPTION	QTY	Note
1	53260BR	MOTOR SUPPORT PLATE	1	
2	5120000	5/8 INCH UNITIZED SHAFT SEAL	1	[1]
3	5617000	O-RING	1	
4	5334000	MOTOR LE105 3PHASE	1	
5	531400R	MOTOR COVER	1	
6	K001486	5131000 IMPELLER KIT, INCLUDES 1/2" JAM NUT	1	
7	531500R	VOLUTE HOUSING	1	
8	8018000	1/4-20 x 5/8 SLOTTED FLAT HEAD BOLT	4	
9	8091000	1/4-20 x 1 HEX SOCKET HEAD BOLT	4	
10	K001222	3" DISCHARGE KIT	1	
11	8046000	1/2-20 HEX STAINLESS STEEL JAM NUT	1	
12	5071000	BRASS OIL PLUG	1	
13	5060000	CORD PLATE GASKET	1	
14	5629000	GRINDER CORDPLATE	1	
15	K001357	POWER CORD, 25FT	1	
16	3411200	HANDLE	1	
17	8064000	#8-32 x 5/8 HEX WASHER HEAD SCREW	4	
18	8103000	SCREW 1/4-20x5/8" HX SKT SS	2	

PART NOTES:

[1] - Part requires factory authorized service. Contact Liberty Pumps at 1-800-543-2550

LE105M3-2 (B75)



Liberty
Pumps

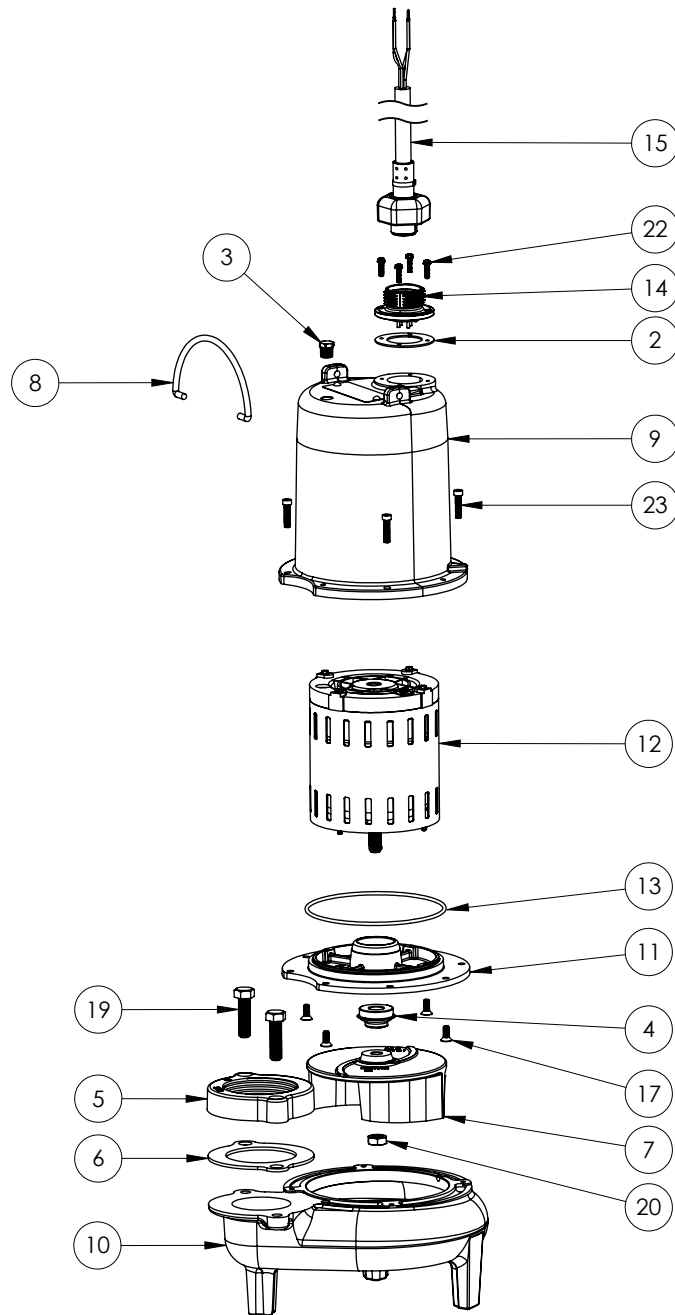
LE105M3-2**LE105M3-2 (B75)**

#	PART #	DESCRIPTION	QTY	Note
1	537600R	MOTOR PLATE LE100 3PHASE	1	
2	5633000	3/4" UNITIZED SHAFT SEAL	1	[1]
3	5617000	O-RING	1	
4	5334000	MOTOR LE105 3PHASE	1	
5	531400R	MOTOR COVER	1	
6	K001487	51310A0 IMPELLER KIT, INCLUDES 5/8" JAM NUT	1	
7	531500R	VOLUTE HOUSING	1	
8	8018000	1/4-20 x 5/8 SLOTTED FLAT HEAD BOLT	4	
9	8091000	1/4-20 x 1 HEX SOCKET HEAD BOLT	4	
10	K001222	3" DISCHARGE KIT	1	
11	5887000	NUT, JAM, 5/8-18 HEX S.S.	1	
12	50710A0	PIPE PLUG, 1/4" HEX HD BRASS NPTF	1	
13	5060000	CORD PLATE GASKET	1	
14	5629000	GRINDER CORDPLATE	1	
15	K001357	POWER CORD, 25FT	1	
16	3411200	HANDLE	1	
17	8064000	#8-32 x 5/8 HEX WASHER HEAD SCREW	4	
18	8103000	SCREW 1/4-20x5/8" HX SKT SS	2	

PART NOTES:

[1] - Part requires factory authorized service. Contact Liberty Pumps at 1-800-543-2550

LE105M3-3 (B62)



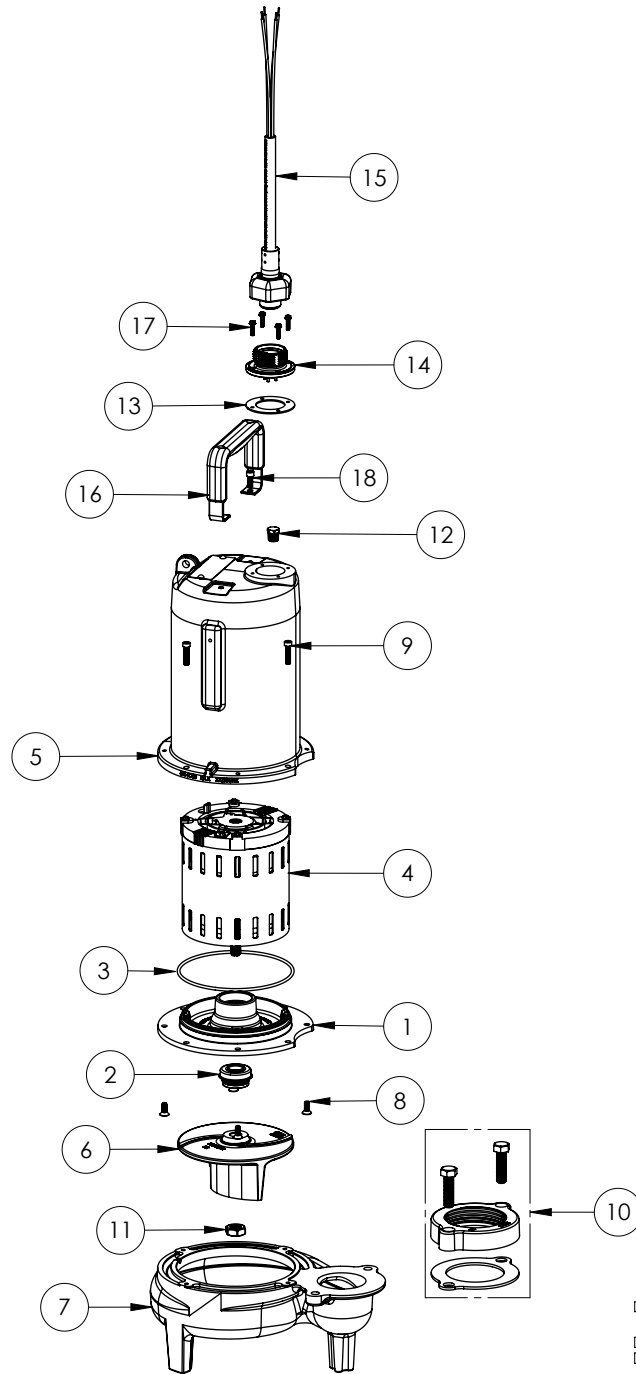
LE105M3-3**LE105M3-3 (B62)**

#	PART #	DESCRIPTION	QTY	Note
2	5060000	CORD PLATE GASKET	1	
3	5071000	BRASS OIL PLUG	1	
4	5120000	5/8 INCH UNITIZED SHAFT SEAL	1	[1]
5	K001222	3" DISCHARGE KIT	1	
6	5129000	FLANGE GASKET, FITS 2" OR 3"	1	
7	K001486	5131000 IMPELLER KIT, INCLUDES 1/2" JAM NUT	1	
8	K001095	STAINLESS STEEL HANDLE	1	
9	531400R	MOTOR COVER	1	
10	531500R	VOLUTE HOUSING	1	
11	53260B0	MOTOR PLATE	1	[1]
12	5334000	MOTOR LE105 3PHASE	1	
13	5617000	O-RING	1	
14	5629000	GRINDER CORDPLATE	1	
15	K001358	POWER CORD, 35FT	1	
17	8018000	1/4-20 x 5/8 SLOTTED FLAT HEAD BOLT	4	
19	8037000	1/2-13 x 1-3/4 STAINLESS STEEL BOLT	2	
20	8046000	1/2-20 HEX STAINLESS STEEL JAM NUT	1	
22	8064000	#8-32 x 5/8 HEX WASHER HEAD SCREW	4	
23	8091000	1/4-20 x 1 HEX SOCKET HEAD BOLT	4	

PART NOTES:

[1] - Part requires factory authorized service. Contact Liberty Pumps at 1-800-543-2550

LE105M3-3 (B72)



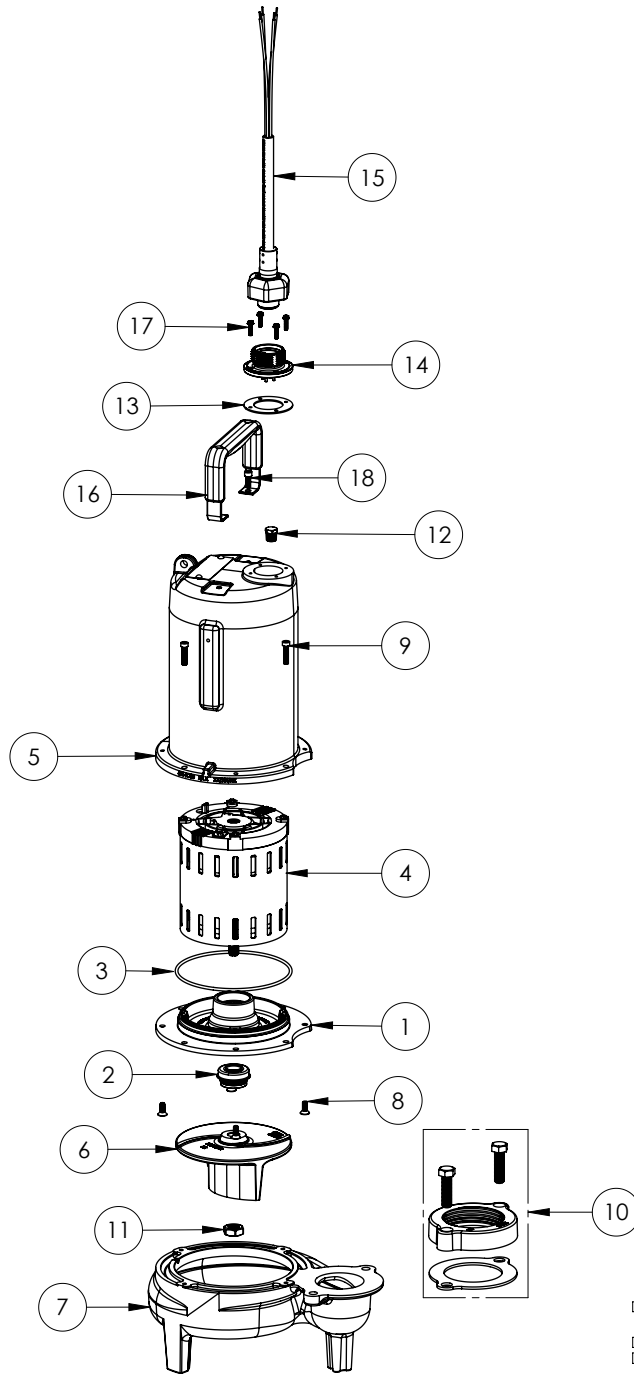
LE105M3-3**LE105M3-3 (B72)**

#	PART #	DESCRIPTION	QTY	Note
1	53260BR	MOTOR SUPPORT PLATE	1	
2	5120000	5/8 INCH UNITIZED SHAFT SEAL	1	[1]
3	5617000	O-RING	1	
4	5334000	MOTOR LE105 3PHASE	1	
5	531400R	MOTOR COVER	1	
6	K001486	5131000 IMPELLER KIT, INCLUDES 1/2" JAM NUT	1	
7	531500R	VOLUTE HOUSING	1	
8	8018000	1/4-20 x 5/8 SLOTTED FLAT HEAD BOLT	4	
9	8091000	1/4-20 x 1 HEX SOCKET HEAD BOLT	1	
10	K001222	3" DISCHARGE KIT	1	
11	8046000	1/2-20 HEX STAINLESS STEEL JAM NUT	1	
12	5071000	BRASS OIL PLUG	1	
13	5060000	CORD PLATE GASKET	1	
14	5629000	GRINDER CORDPLATE	1	
15	K001424	3PH POWER CORD 35FT	1	
16	3411200	HANDLE	1	
17	8064000	#8-32 x 5/8 HEX WASHER HEAD SCREW	4	
18	8103000	SCREW 1/4-20x5/8" HX SKT SS	2	

PART NOTES:

[1] - Part requires factory authorized service. Contact Liberty Pumps at 1-800-543-2550

LE105M3-3 (B75)



LE105M3-3**LE105M3-3 (B75)**

#	PART #	DESCRIPTION	QTY	Note
1	537600R	MOTOR PLATE LE100 3PHASE	1	
2	5633000	3/4" UNITIZED SHAFT SEAL	1	[1]
3	5617000	O-RING	1	
4	5334000	MOTOR LE105 3PHASE	1	
5	531400R	MOTOR COVER	1	
6	K001487	51310A0 IMPELLER KIT, INCLUDES 5/8" JAM NUT	1	
7	531500R	VOLUTE HOUSING	1	
8	8018000	1/4-20 x 5/8 SLOTTED FLAT HEAD BOLT	1	
9	8091000	1/4-20 x 1 HEX SOCKET HEAD BOLT	1	
10	K001222	3" DISCHARGE KIT	1	
11	5887000	NUT, JAM, 5/8-18 HEX S.S.	1	
12	50710A0	PIPE PLUG, 1/4" HEX HD BRASS NPTF	1	
13	5060000	CORD PLATE GASKET	1	
14	5629000	GRINDER CORDPLATE	1	
15	K001424	3PH POWER CORD 35FT	1	
16	3411200	HANDLE	1	
17	8064000	#8-32 x 5/8 HEX WASHER HEAD SCREW	4	
18	8103000	SCREW 1/4-20x5/8" HX SKT SS	2	

PART NOTES:

[1] - Part requires factory authorized service. Contact Liberty Pumps at 1-800-543-2550