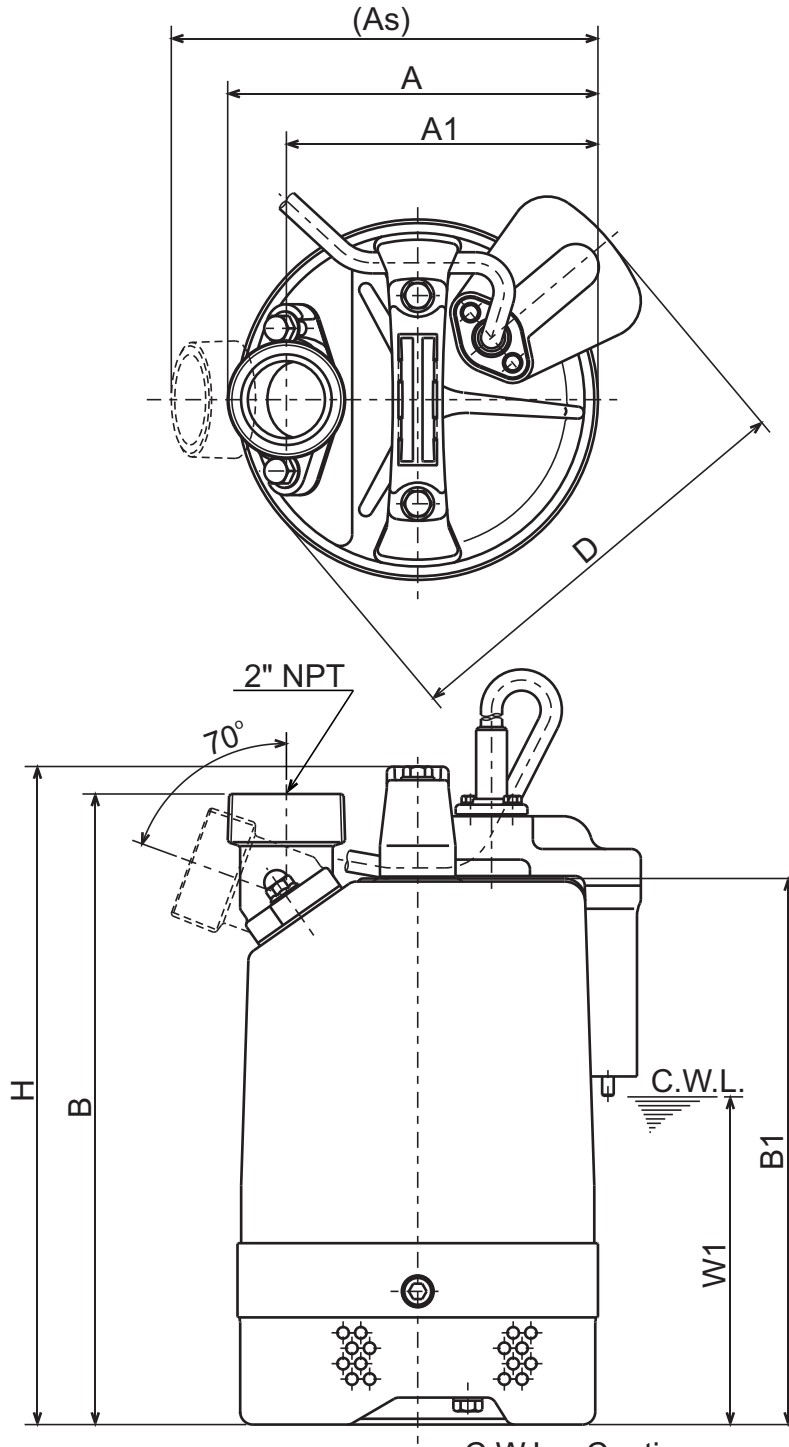




**LB - SERIES**  
SEMI-VORTEX - DEWATERING PUMP (AUTO-TYPE)

**DIMENSIONS**

LB-800A-62



C.W.L. : Continuous running Water Level

**DIMENSIONS:USCS (Inch)**

Model	HP	NOM. SIZE	Pump & Motor							C.W.L. W1	Wt. (lbs.)
			A	As	A1	B	B1	D	H		
LB-800A-62	1	2"	7 9/16	8 11/16	6 3/8	12 7/8	11 1/8	8 3/4	13 7/16	6 3/4	30

**DIMENSIONS:METRIC (mm)**

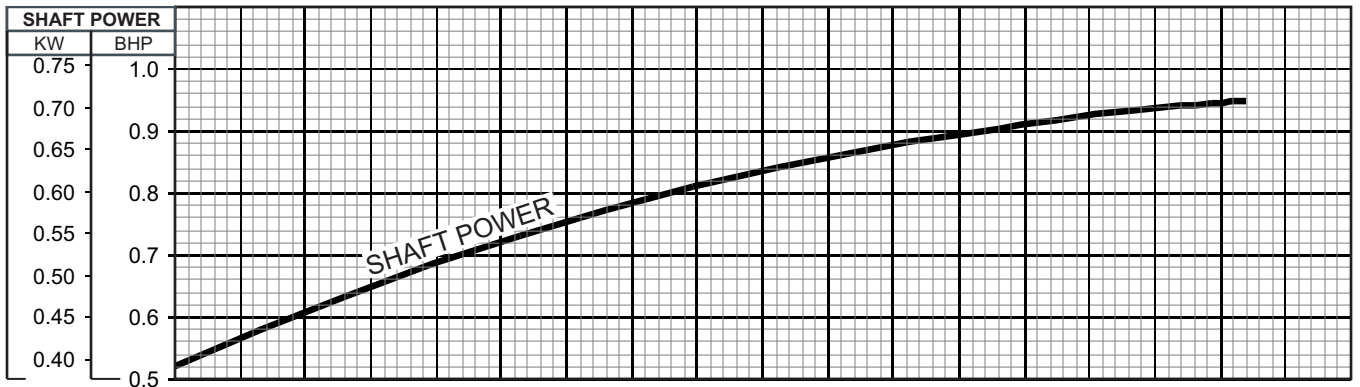
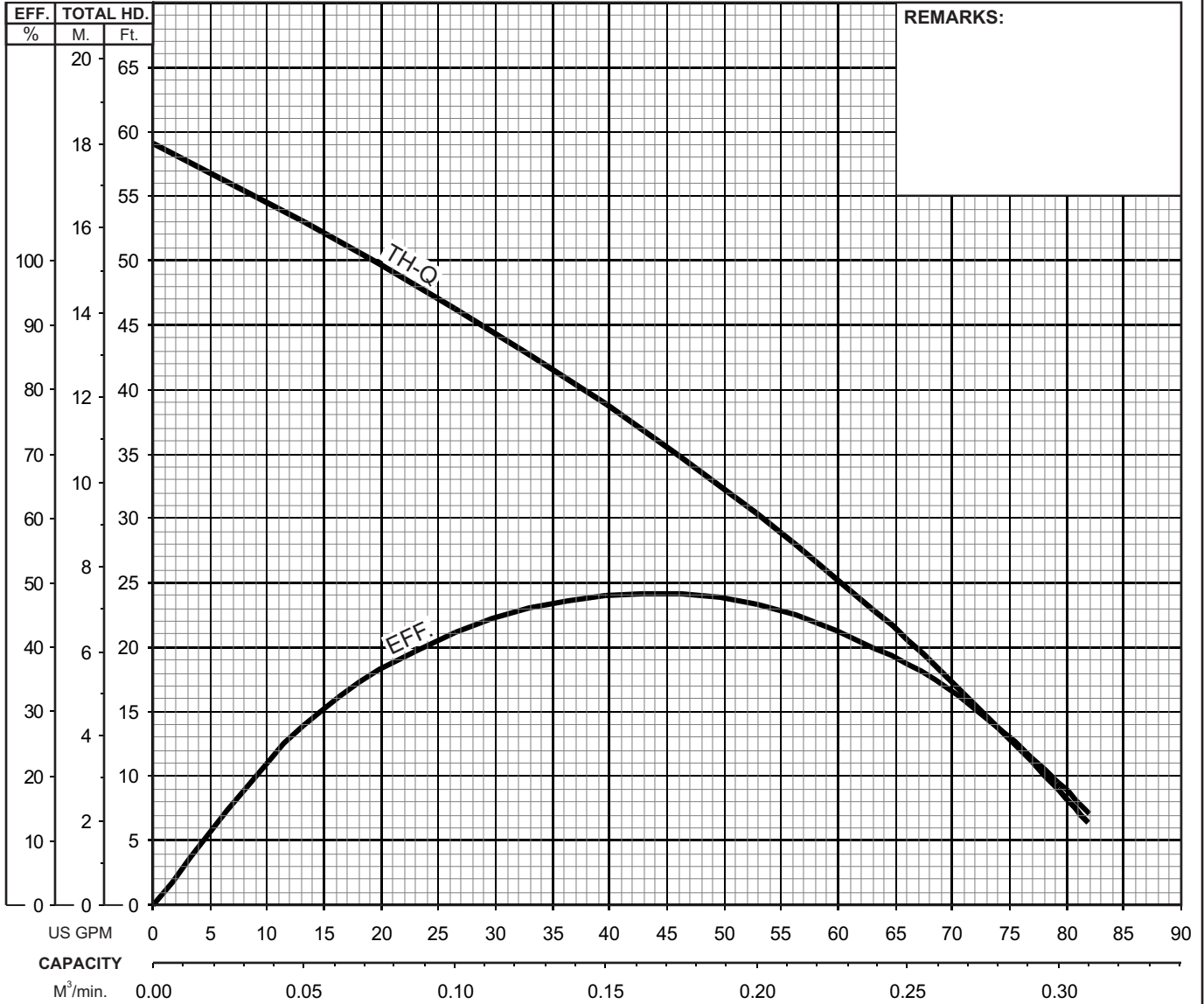
Model	kW	NOM. SIZE	Pump & Motor							C.W.L. W1	Wt. (kg)
			A	As	A1	B	B1	D	H		
LB-800A-62	0.75	50	192	221	162	327	283	223	341	170	13.7



## LB - SERIES SEMI-VORTEX - DEWATERING PUMP

## PERFORMANCE CURVE

MODEL	BORE	HP	KW	RPM	SOLIDS DIA	LIQUID	SG.	VISCOSITY	TEMP.
LB(Z)-800(A)-62	2"/50mm	1	0.75	3316	0.236"/6mm	Water	1.0	1.123 cSt.	60°F
PUMP TYPE	PHASE	VOLTAGE	AMPERAGE	HZ	STARTING METHOD	INS. CLASS			
Semi-Vortex - Dewatering Pump	Single	110/115, 220/230	10.8 / 10.5 , 5.4 / 5.2	60	Capacitor Start	E			
CURVE No.	DATE	PHASE	VOLTAGE	AMPERAGE	HZ	STARTING METHOD	INS. CLASS		
-	-	-	-	-	-	-	-		



PARTS LIST		CONTRACTOR PUMPS			7/2/2012	
ITEM	PART No.	DESCRIPTION	QTY	SIZE	MATERIAL	NOTES
1	140-446-12	Hex.Bolt (w/Plain Washer)	2	M5x38	SUS304	
2	003-190-10	Gland	1		SUS316	
3	001-007-41	Cabtyre Cable Set (15m)115V-60Hz(USA)	1	VCT3Cx2mm2(CSA3P)	LBD	
	001-002-06	Cabtyre Cable Set (15m)230V-60Hz(USA)	1	VCT3Cx2mm2	LBD	
4	114-000-84	Relay Unit 115V-60Hz(USA)	1Set	EL-BP-100		
	114-000-79	Relay Unit 230V-60Hz(USA)	1Set	EL-2P(200V)		
5	140-000-13	Hex.Bolt (w/Plain Washer)	2	M8x65	SUS304	
6	068-000-06	Handle	1	LB-250/480-52/62	Resin	
7	141-144-10	Hex.Nut (w/Flange)	2	M8	SUS304	
8	032-426-18	Hose Coupling 115V-60Hz(USA)	1	NPT-2(LB-480-51/61)	ADC	
	032-426-18	Hose Coupling 230V-60Hz(USA)	1	NPT-2(LB-480-51/61)	ADC	
9	121-587-17	Packing	1	LB-250/480-51/61	NBR	
10	065-000-22	Outer Cover	1		SPC	
11	122-453-16	O-Ring	1	172xd2.7	NBR	
12	121-434-18	Packing	1	LB3-250/480	Synthetic Rubber	
13	051-000-22	Motor Head Cover	1		ADC	
14	140-396-16	Hex.Bolt (w/Spring Washer/Plain Washer)	3	M6x20	SUS304	
15	121-000-72	Packing	1	d121xd140x2.8t	NBR	
16	076-000-38	Capacitor	1	80MF-250VAC(d50x70L)		
17	143-086-22	Pan Screw (w/Spring Washer)	1	M4x8	SWRM	
18	127-000-45	Capacitor Fixing Plate	1	d50x20	SPC	
19	143-127-13	Pan Screw (w/Spring Washer/Plain Washer)	2	M4x8	SWRM	
20	053-000-63	Motor Protector 115V-60Hz(USA)	1	KA142-BBTL21F	(T.C)	
	053-000-28	Motor Protector 230V-60Hz(USA)	1	KA142-LPTL25F	(T.C)	
21	140-000-44	Hex.Bolt (w/Spring Washer/Plain Washer)	1	M4x8	SWRM	
22	009-000-72	Earth Terminal	1Set	AWG16x150L		interchangeable with old part# 009-000-12
23	050-000-48	Motor Bracket	1		ADC	
24	142-192-16	Wave Washer	1	6201(D=32,t=0.4)	SK5	
25	052-100-15	Bearing	1	6201ZZC3		
26	055-001-26	Rotor	1Set	w/Bearing		
27	052-152-12	Bearing	1	6302ZZC3		
28	061-175-19	Bearing Collar	1	d15xd23x1.6t	SPC	
29	056-004-14	Stator (w/M.Frame) 115V-60Hz(USA)	1Set			
	056-004-16	Stator (w/M.Frame) 230V-60Hz(USA)	1Set			
30	122-133-17	O-Ring	1	G-110(109.4xd3.1)	NBR	
31	025-291-10	Mechanical Seal	1	W-14VL	SiC+CCBN	
32	030-000-09	Oil Lifter	1	W-14VL	Resin	
33	029-000-72	Oil Casing	1	LB-750-51/61	ADC	
34	035-124-12	Oil Plug	1	M10x15	SUS304	
35	121-246-11	Packing	1	d10.3xd16x2t	PE	
36	140-252-19	Hex.Socket Cap Bolt	3	M6x20	SUS304	
37	122-441-11	V-Ring	1	VR-14	NBR	
38	071-292-14	Shaft Sleeve	1	LB3-250/480	SUS304	
39	031-000-12	Wear Ring	1	LSC1.4S-51/61	SPC+Rubber	

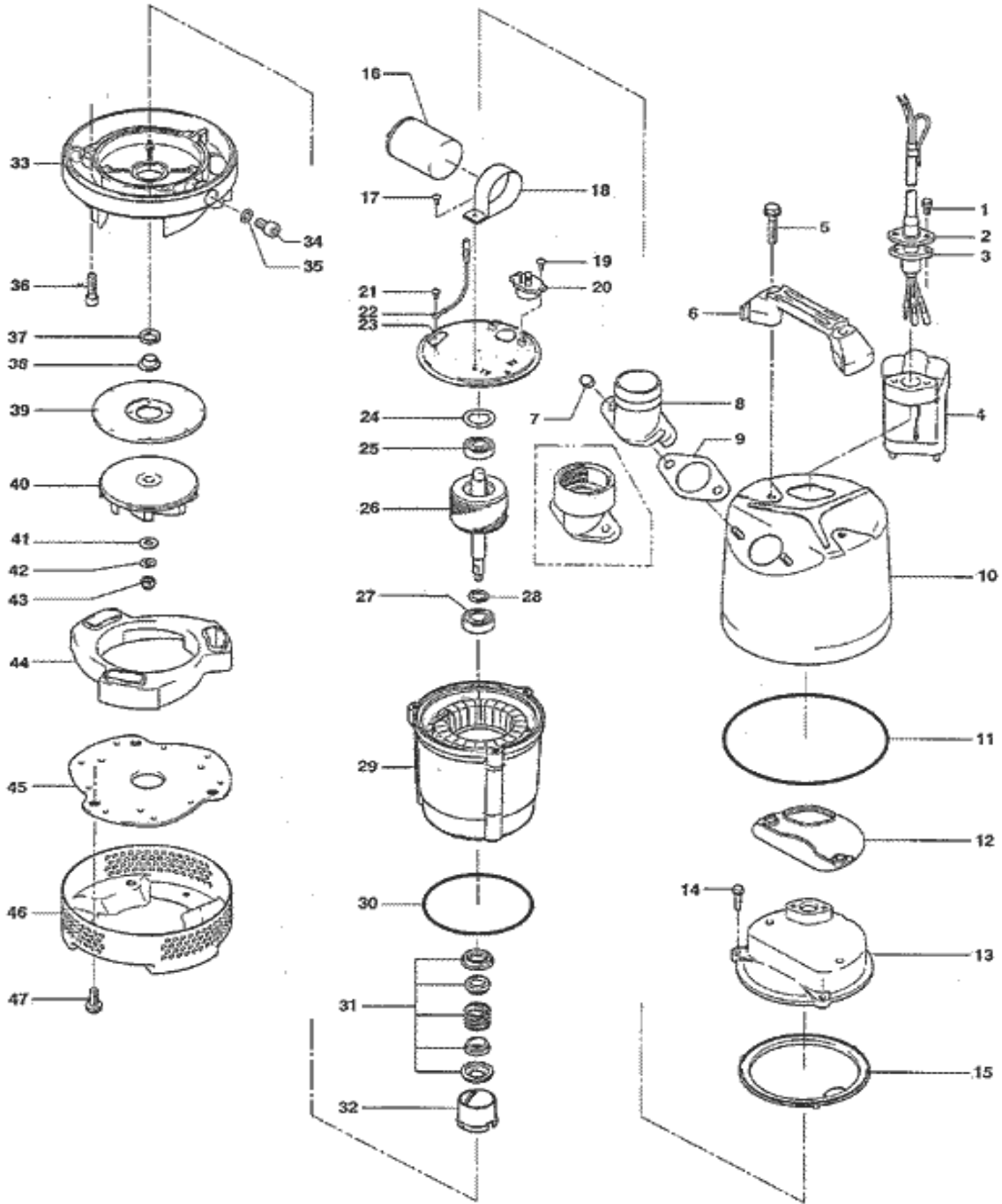
PARTS LIST		CONTRACTOR PUMPS			7/2/2012	
ITEM	PART No.	DESCRIPTION	QTY	SIZE	MATERIAL	NOTES
40	021-007-56	Impeller (60Hz)	1	LB-800A-61	Urethane Rubber	
41	142-127-10	Plain Washer	1	M8	SUS304	
42	142-163-18	Spring Washer	1	M8	SUS304	
43	141-030-12	Hex.Cap Nut	1	M8	SUS304	
44	020-000-43	Pump Casing	1	LB-750	BR+NR	
45	022-001-27	Suction Cover	1	LSC1.4S-51/61	SPC+Rubber	
46	023-547-18	Strainer Stand	1	LB-250/480-51/61	SPCC	
47	140-000-14	Hex.Bolt (w/Plain Washer)	3	M8x20	SUS304	
		<Packing O-Ring Set>				
	173-001-20	Packing O-Ring Set	1Set	(Marked by *)		
9	121-587-17	Packing (Hose Coupling)	1	LB-250/480-51/61	NBR	
11	122-453-16	O-Ring (Out.Cover/O.Casing)	1	172xd2.7	NBR	
12	121-434-18	Packing (Out.Cover/Head Cover)	1	LB3-250/480	Synthetic Rubber	
15	121-000-72	Packing (Head Cover/M.Frame)	1	d121xd140x2.8t	NBR	
30	122-133-17	O-Ring (M.Frame/O.Casing)	1	G-110(109.4xd3.1)	NBR	
35	121-246-11	Packing (Oil Plug)	1	d10.3xd16x2t	PE	
		Lubricant		Turbine Oil VG32 155ml		

\* Indicates items included in set

PARTS LIST		CONTRACTOR PUMPS				7/2/2012
ITEM	PART No.	DESCRIPTION	QTY	SIZE	MATERIAL	NOTES

## 分解組立図

LB-800A-51/61

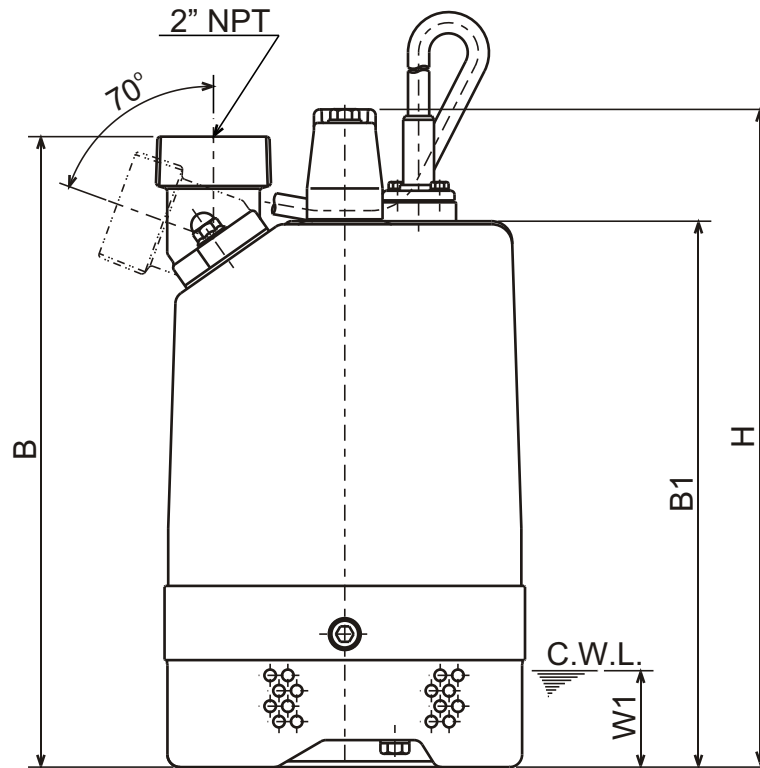
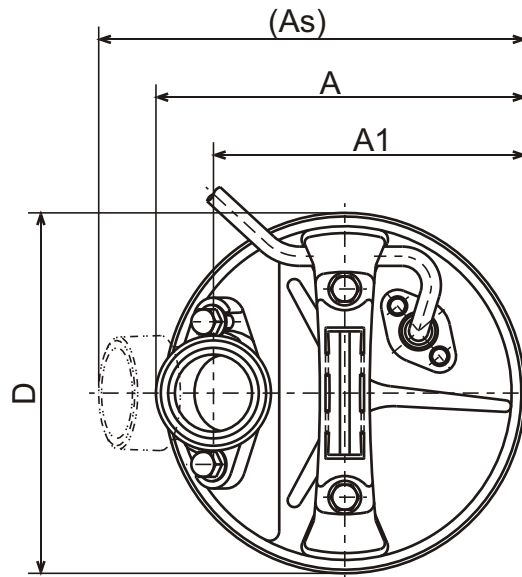




**LB - SERIES**  
**SEMI-VORTEX - DEWATERING PUMP**

**DIMENSIONS**

**LB-800-62**  
**LBT-800-61**



C.W.L. : Continuous running Water Level

**DIMENSIONS :USCS (Inch)**

Model	HP	NOM. SIZE	Pump & Motor								C.W.L.	Wt.
			A	As	A1	B	B1	D	H	W1	(lbs.)	
LB-800-62	1	2"	7 9/16	8 11/16	6 3/8	12 7/8	11 1/8	7 3/8	13 7/16	2	29	
LBT-800-61	1	2"	7 9/16	8 11/16	6 3/8	12 7/8	11 1/8	7 3/8	13 7/16	2	28	

**DIMENSIONS :METRIC (mm)**

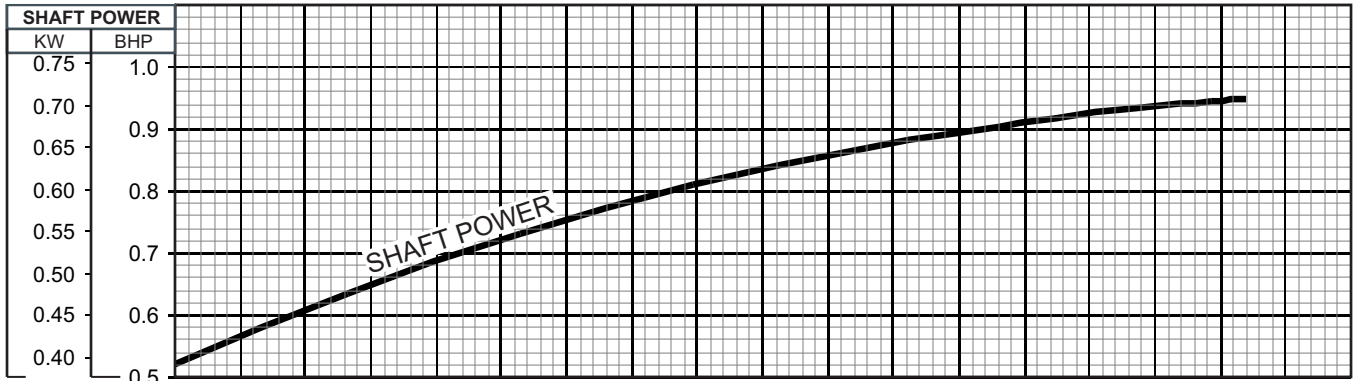
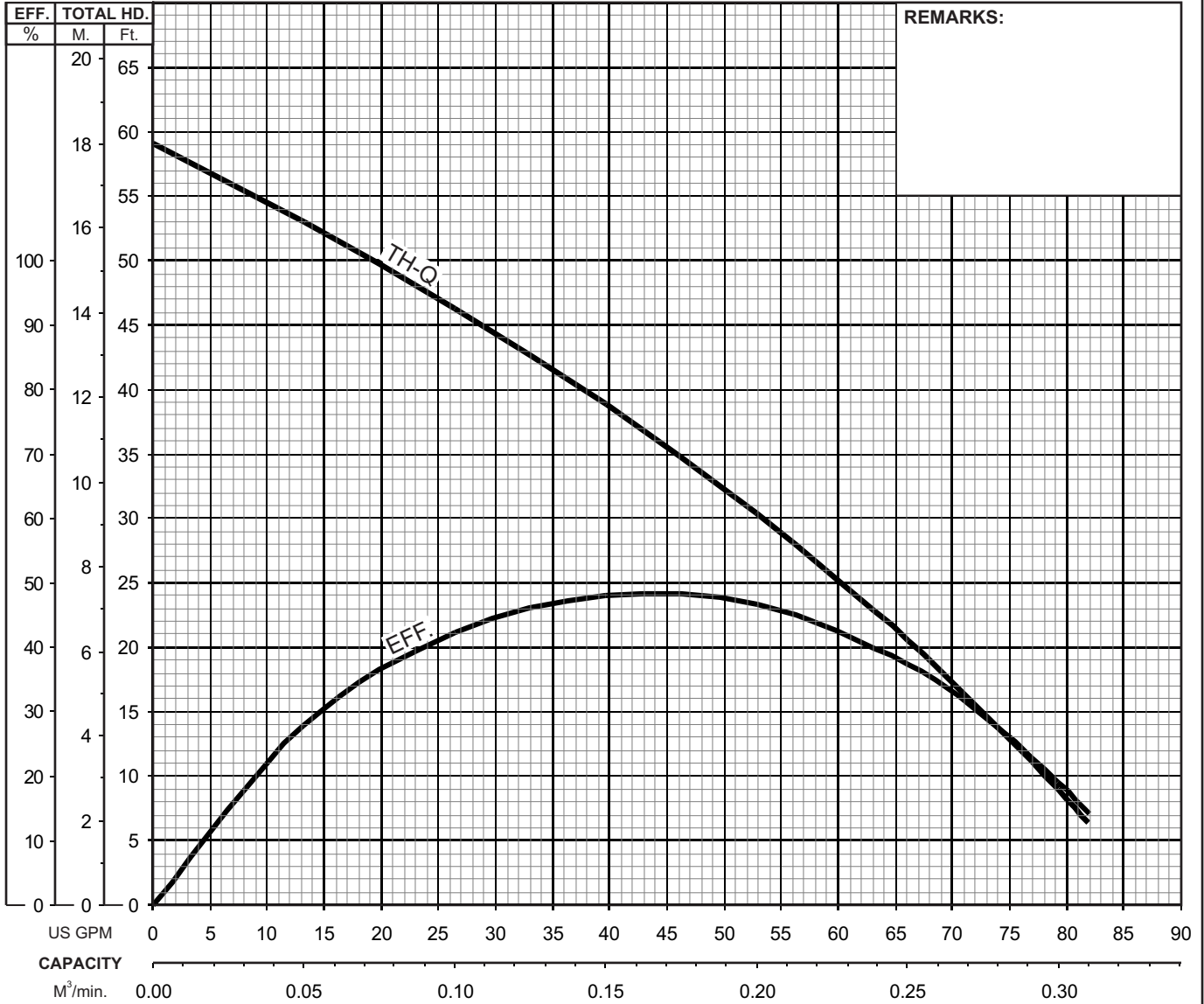
Model	kW	NOM. SIZE	Pump & Motor								C.W.L.	Wt.
			A	As	A1	B	B1	D	H	W1	(kg)	
LB-800-62	0.75	50	192	221	162	327	283	187	341	50	13.1	
LBT-800-61	0.75	50	192	221	162	327	283	187	341	50	12.8	



## LB - SERIES SEMI-VORTEX - DEWATERING PUMP

## PERFORMANCE CURVE

MODEL	BORE	HP	KW	RPM	SOLIDS DIA	LIQUID	SG.	VISCOSITY	TEMP.
LB(Z)-800(A)-62	2"/50mm	1	0.75	3316	0.236"/6mm	Water	1.0	1.123 cSt.	60°F
PUMP TYPE		PHASE	VOLTAGE	AMPERAGE		HZ	STARTING METHOD		INS. CLASS
Semi-Vortex - Dewatering Pump		Single	110/115, 220/230	10.8 / 10.5 , 5.4 / 5.2		60	Capacitor Start		E
CURVE No.	DATE	PHASE	VOLTAGE	AMPERAGE		HZ	STARTING METHOD		INS. CLASS
-	-	-	-	-		-	-		-





MODEL **LB-800-61**

PARTS LIST	PORTABLE DEWATERING PUMP	DATE: DEC 2009
------------	--------------------------	----------------

ITEM	PARTS No.	DESCRIPTION	Q'TY	SIZE	MATERIAL		NOTES
1	140-427-17	Hex.Bolt (w/Plain Washer)	2	M5x15	SUS304		
2	003-190-10	Gland	1		SUS316		
3	001-471-25	Cab-tyre Cable	1	AWG14 x50 ft.	VCT		Gland Included
4	140-000-13	Hex.Bolt (w/Plain Washer)	2	M8x65	SUS304		
5	068-000-06	Handle	1	LB-250/480-52/62	Resin		
6	141-030-12	Hex.Nut (w/Flange)	2	M8	SUS304		141-144-10 (Old)
7	032-426-18	Hose Coupling	1	2"	ADC		
8	121-587-17	Packing (Hose Coupling)	1	LB-250/480-51/61	NBR	*	
9	065-000-22	Outer Cover	1		SPC		
10	122-453-16	O-Ring	1	172xd2.7	NBR	*	
11	121-434-18	Packing	1	LB3-250/480	Synthetic Rubber	*	
12	051-000-22	Motor Head Cover	1		ADC		
13	140-396-16	Hex.Bolt (w/Spring Washer/Plain Washer)	3	M6x20	SUS304		
14	121-000-72	Packing	1	d121xd140x2.8t	NBR	*	
15	076-000-31	Capacitor	1	80MF-250VAC(d50x85L)			
16	143-086-22	Pan Screw (w/Spring Washer)	1	M4x8	SWRM		
17	127-000-34	Capacitor Fixing Plate	1	d50	SPC		
18	143-127-13	Pan Screw (w/Spring Washer/Plain Washer)	2	M4x8	SWRM		
19	053-000-63	Motor Protector 110V-60Hz	1	KA142-BBTL21F	(T.C)		
19	053-000-28	Motor Protector 220V-60Hz	1	KA142-LPTL25F	(T.C)		
20	140-000-44	Hex.Bolt (w/Spring Washer/Plain Washer)	1	M4x8	SWRM		
20-1	009-000-72	Grounding Wire	1	AWG 16 x 150L UL1015 G/Y			
21	050-000-48	Motor Bracket	1		SECD		
22	142-192-16	Wave Washer	1	#6201(D=32,t=0.4)	SK5		
23	052-100-15	Bearing	1	6201ZZC3			
24	055-001-26	Rotor	1Set	w/Bearing			
25	052-152-12	Bearing	1	6302ZZC3			
26	061-175-19	Bearing Collar	1	d15xd23x1.6t	SPC		
27	056-004-14	Stator 110v (60Hz)	1	w/Frame			
27	056-004-16	Stator 220v (60Hz)	1	w/Frame			
28	122-133-17	O-Ring	1	G-110(109.4xd3.1)	NBR	*	
29	025-291-10	Mechanical Seal	1	W-14VL	Sic+CCBN		
30	030-000-09	Oil Lifter	1	W-14VL	Resin		
31	029-000-72	Oil Casing	1	LB-750-51/61	ADC		
32	035-124-12	Oil Plug	1	M10x15	SUS304		
33	121-246-11	Packing	1	d10.3xd16x2t	PE	*	
34	140-252-19	Hex. Socket Cap Bolt	3	M6x20	SUS304		
35	122-441-11	V-Ring	1	VR-14	NBR		
36	071-292-14	Shaft Sleeve	1	LB3-250/480	SUS304		
37	031-000-12	Wear Ring	1	LSC1.4S-51/61	SPC+Urethane Rubber		
38	021-007-56	Impeller (60Hz)	1	LB-800-61	Urethane Rubber		
39	142-127-10	Plain Washer	1	M8	SUS304		
40	142-163-18	Spring Washer	1	M8	SUS304		
41	141-030-12	Hex.Cap Nut	1	M8	SUS304		
42	020-000-43	Pump Casing	1	LB-750	BR+NR		
43	022-001-27	Suction Cover	1	LB-750	SPC		
44	023-547-18	Strainer Stand	1	LB-250/480-51/61	SPC		
45	140-000-14	Hex.Bolt (w/Plain Washer)	3	M8x20	SUS304		
<b>&lt;Packing O-Ring Set&gt;</b>							
	173-001-20	Packing O-Ring Set	1Set	(Marked by *)			
8	121-587-17	Packing (Hose Coupling)	1	LB-250/480-51/61	NBR	*	
10	122-453-16	O-Ring	1	172xd2.7	NBR	*	
11	121-434-18	Packing	1	LB3-250/480	Synthetic Rubber	*	
14	121-000-72	Packing	1	d121xd140x2.8t	NBR	*	
28	122-133-17	O-Ring	1	G-110(109.4xd3.1)	NBR	*	
33	121-246-11	Packing	1	d10.3xd16x2t	PE	*	

**OPTIONAL:**

3	001-471-12	Cabtyre Cable w/ Gland	1	AWG 14 x 32 Ft	VCT		
3	001-999-90	Cable w/Gland 100' LB3-750	1		VCT		Includes Gland
38	021-007-52	Impeller (50Hz)	1	LB-800-51	Urethane Rubber		
		Lubricant		Turbine Oil VG32 155ml			

**NOTE:**

Pricing in U.S. currency and subject to change without notice.

Items with (\*) indicate items are included in the set



Parts List

Portable Dewatering Pump

Date: DEC 2009

