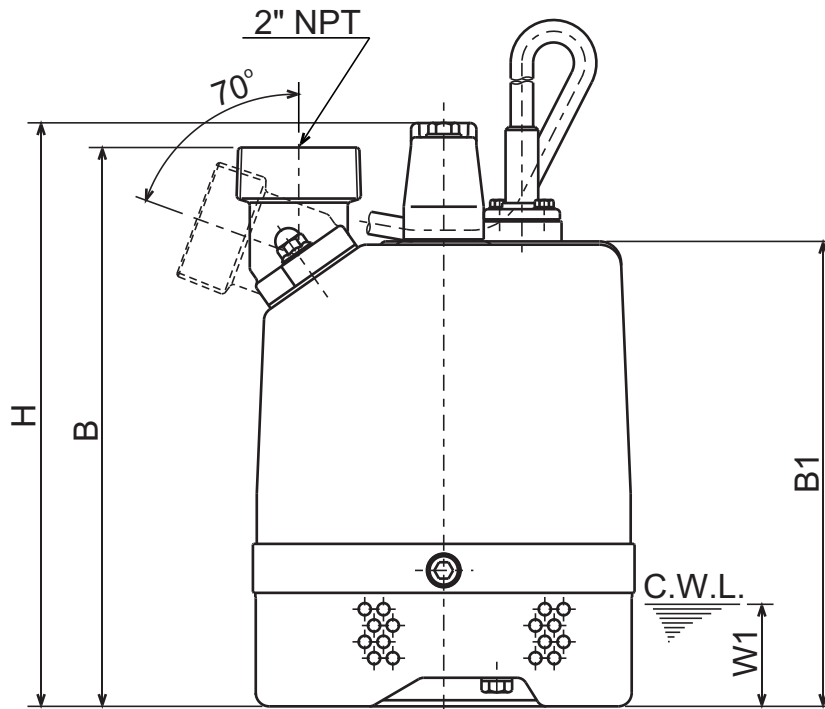
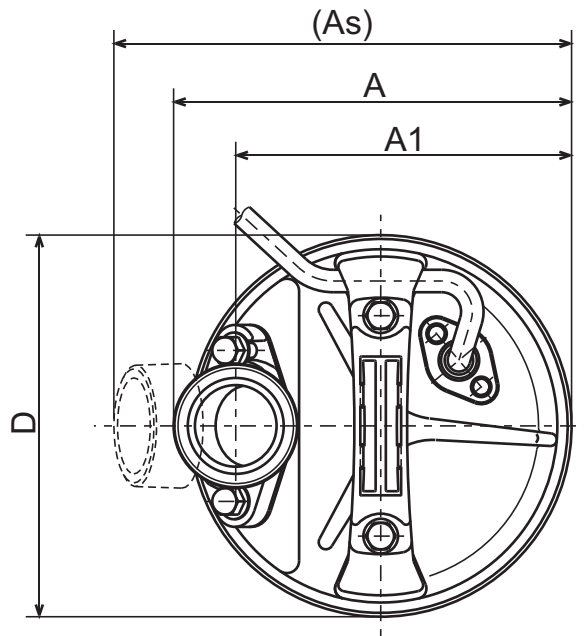




LB - SERIES
SEMI-VORTEX - DEWATERING PUMP

DIMENSIONS

LB-480-62



C.W.L. : Continuous running Water Level

DIMENSIONS:USCS (Inch)

Model	HP	NOM. SIZE	Pump & Motor							C.W.L. W1	Wt. (lbs.)
			A	As	A1	B	B1	D	H		
LB-480-62	2/3	2"	7 11/16	8 13/16	6 1/2	10 3/4	8 15/16	7 3/8	11 1/4	2	21

DIMENSIONS:METRIC (mm)

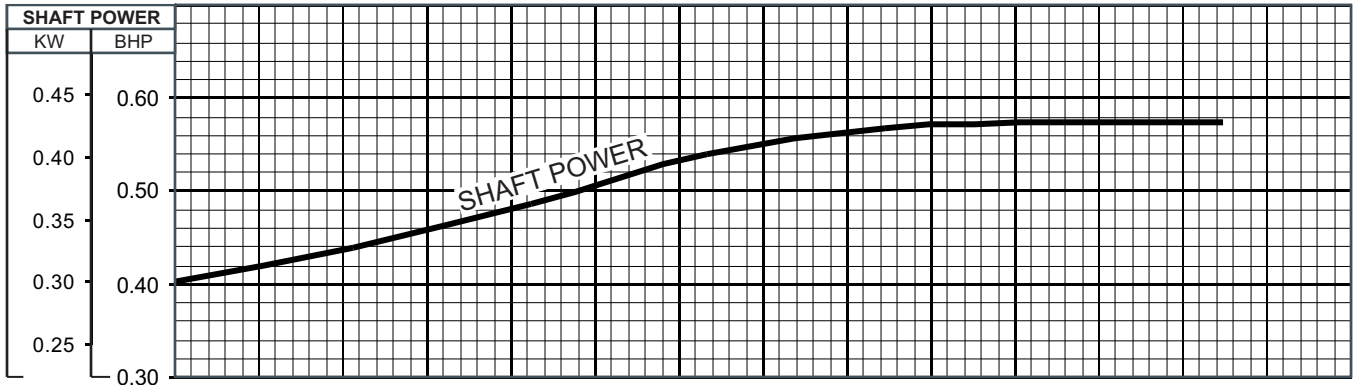
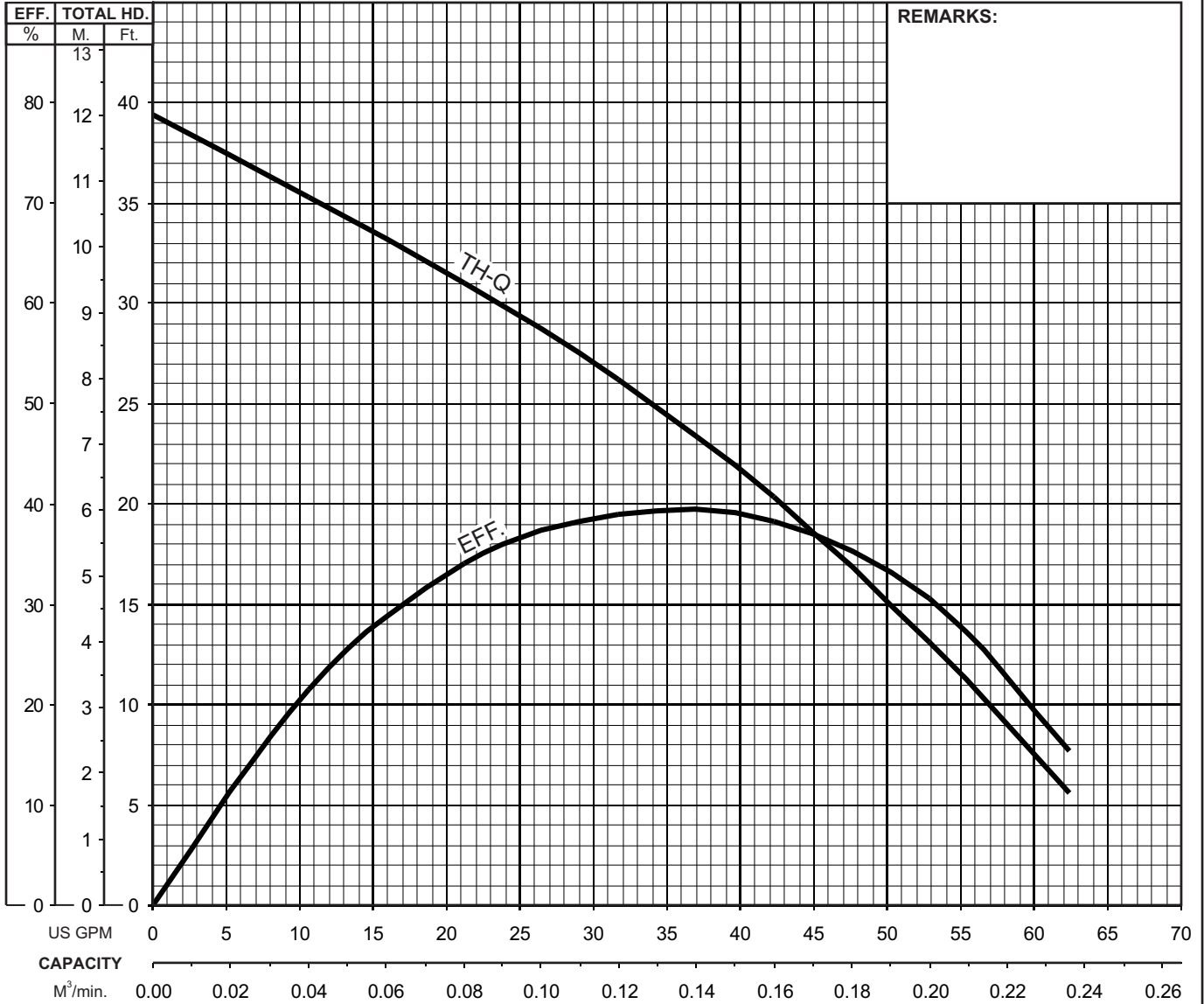
Model	kW	NOM. SIZE	Pump & Motor							C.W.L. W1	Wt. (kg)
			A	As	A1	B	B1	D	H		
LB-480-62	0.48	50	195	224	165	274	228	187	286	50	9.5



LB - SERIES SEMI-VORTEX - DEWATERING PUMP

PERFORMANCE CURVE

MODEL	BORE	HP	KW	RPM	SOLIDS DIA	LIQUID	SG.	VISCOSITY	TEMP.
LB(Z)-480(A)-62	2"/50mm	0.64	0.48	3255	0.236"/6mm	Water	1.0	1.123 cSt.	60°F
PUMP TYPE		PHASE	VOLTAGE	AMPERAGE		HZ	STARTING METHOD		INS. CLASS
Semi-Vortex - Dewatering Pump		Single	110/115/120, 230	6.1 / 5.9 / 5.7 , 3.0		60	Capacitor Start		E
CURVE No.	DATE	PHASE	VOLTAGE	AMPERAGE		HZ	STARTING METHOD		INS. CLASS
-	-	-	-	-		-	-		-



PARTS LIST		PORTABLE DEATERING PUMP			DATE: FEB. 2009	
ITEM	PARTS No.	DESCRIPTION	Q'TY	SIZE	MATERIAL	NOTES
1	001-943-23	Cable w/Gland 32' LB-480	1	TLB, AWG16/3 x 32'	VCT	Includes Gland
2	140-427-17	Hex. Bolt 5 x 15	2	M5x15, w/ Washer	SUS304	
3	003-100-13	Gland LB/HS/S2	1		SUS304	Included With ITEM# 1
4	140-000-13	Hex. Bolt 8 x 65 w/Washer	2	M8x65, w/ Washer	SUS304	
5	068-284-13	Handle LB-480	1	LB-250/480-51/61	Resin	
6	032-426-18	Hose Coupling NPT 2" LB-480	1	NPT-2" , Male Angle	ADC12	
7	141-030-12	Hex. Cap Nut M8	2	M8, Flange (S=12)	SUS304	
8	121-587-17	Packing (Coupling) LB-480	1	LB-250/480-51/61 (P.C.74)	NBR	*
9	065-382-13	Outer Cover LB-480	1	LB-250/480-51/61	SPC	
10	122-453-16	O-ring 172 x 2.7	1	172xd2.7	NBR	*
11	121-434-18	Packing	1	LB3-250/480	Rubber	*
12	140-035-14	Hex. Bolt 6 x 20	3	M6x20, w/ Washer	SUS304	
13	051-282-19	Motor Head Cover LB-480	1	LB-250/480-51/61 (w/o Stud E ADC		
14	121-546-14	Packing	1	d120xD142x6.2t	NBR	*
15	076-159-13	Capacitor LB-480/HS-62	1	SH-CAP, 33MFD-270VAC		
15	076-162-19	Capacitor 9MFD-500VAC	1	SH-CAP, 9MFD-500VAC		
16	009-000-18	Grounding Wire LB-480	1	AWG18 x 135L, G/Y		
17	143-203-14	Pan Screw M4x5, w/Washer	1	M4x5, w/ Washer	BSBM	
18	050-486-12	Motor Bracket LB-480/HS-62	1	HS2.4S-52/62	SECD	
19	142-192-16	Wave Washer #6201	1	#6201	SK-5	
20	052-100-15	Ball Bearing	1	6201ZZC3 (MP-1 Grease)		
21	055-889-14	Rotor LB-480/HS-62	1	LB-480(A)-51/61		
22	061-180-17	Bearing Collar LB-480/HS-62	1	LB-480(A)-51/61	SS	
23	052-101-16	Ball Bearing	1	6202ZZC3 (MP-1 Grease)		
24	056-C67-13	Stator 110V LB-480/HS-62	1	(110-50, 110/115/120-60)		
24	056-C69-15	Stator 220V-60Hz LB-480	1	220V 60Hz		
24-1	053-	Motor Protector	1			In Stator
25	064-508-14	Mtr Frame LB-480(A)-62	1	LB2-400(A)	ADC	
26	122-133-17	O-Ring G-110	1	G-110	NBR	*
27	025-291-10	Mechanical Seal W-14VL	1	W-14VL	SiC+CCBN	
28	030-000-09	Oil Lifter (old#030-159-11)	1	W-14VL	Resin	
29	029-000-70	Oil Casing (old#029-403-19)	1	LB-250/480-51/61	ADC	
30	140-252-19	Socket Bolt 6 x 20	3	M6x20	SUS304	
31	035-124-12	Oil Plug 10 x 15	1	M10 x 15	SUS304	
32	121-246-11	Packing 10.3 x 16 x 2t	1	d10.3xD16x2t	PE-sheet	*
33	122-441-11	V-Ring LB2-400, LB-480	1	VR-14	NBR	
34	071-292-14	S. Sleeve LB-480, HS2.4S	1	LB2-400	SUS304	
35	031-000-01	Wear Ring LB-480	1	LB-250/480-51/61	Urethane Rubber	
36	021-007-44	Impeller (old#021-L79-18)	1	LB2-400(60HZ)	Urethane	
37	142-127-10	Plain Washer M8	1	M8	SUS304	
38	142-163-18	SPRING WASHER M8	1	M8		
39	141-030-12	Hex. Cap Nut M8	1	M8	SUS304	
40	020-B89-19	Pump Casing LB-480	1	LB-250/480-51/61	Rubber	
41	022-001-28	Suc Cover (old#022-001-13)	1	LB-250/480-51/61	SPC+U.Rubber	
42	023-547-18	Strainer Stand LB-480	1	LB-250/480-51/61	SPCC	
43	140-503-18	Bolt M8 x 16 LB-480	3	M8x16, w/ Washer	SUS304	

PARTS LIST		PORTABLE DEATERING PUMP			DATE: FEB. 2009		
ITEM	PARTS No.	DESCRIPTION	Q'TY	SIZE	MATERIAL	NOTES	
PACKING O-RING SET:							
	173-567-12	Packing O-ring kit	1		(*)		
8	121-587-17	Packing (Coupling) LB-480	1	LB-250/480-51/61 (P.C.74)	NBR		
10	122-453-16	O-ring 172 x 2.7	1	172xd2.7	NBR		
11	121-434-18	Packing	1	LB3-250/480	Rubber		
14	121-546-14	Packing	1	d120xD142x6.2t	NBR		
26	122-133-17	O-Ring G-110	1	G-110	NBR		
32	121-246-11	Packing 10.3 x 16 x 2t	1	d10.3xD16x2t	PE-sheet		
OPTIONAL:							
1	001-943-36	Cable w/Gland 20' HS2.4S	1	AWG16/3 x 16'	VCT/LB	Includes Gland	
1	001-471-25	Cable w/Gland 50' LB-750	1	AWG 14x3x50'	VCT	Includes Gland	
1	001-999-90	Cable w/Gland 100' LB3-750	1		VCT	Includes Gland	
5	068-000-06	Handle LSC1.4S-61	1	(10mm-UP)	Resin		
6	032-000-06	Coupling NPT 2" Female-Option N	1	NPT-2" Female	ADC12		
36	021-007-43	Impeller 50Hz	1	50HZ	Urethane Rubber	LB2-400(50Hz)	
	Lubricant	Turbine Oil #32		150ML / 5.1oz		SAE 10W-20	

NOTE:

Pricing in U.S. currency and subject to change without notice.

Items with (*) indicate items are included in the set

New Pricing Updates:

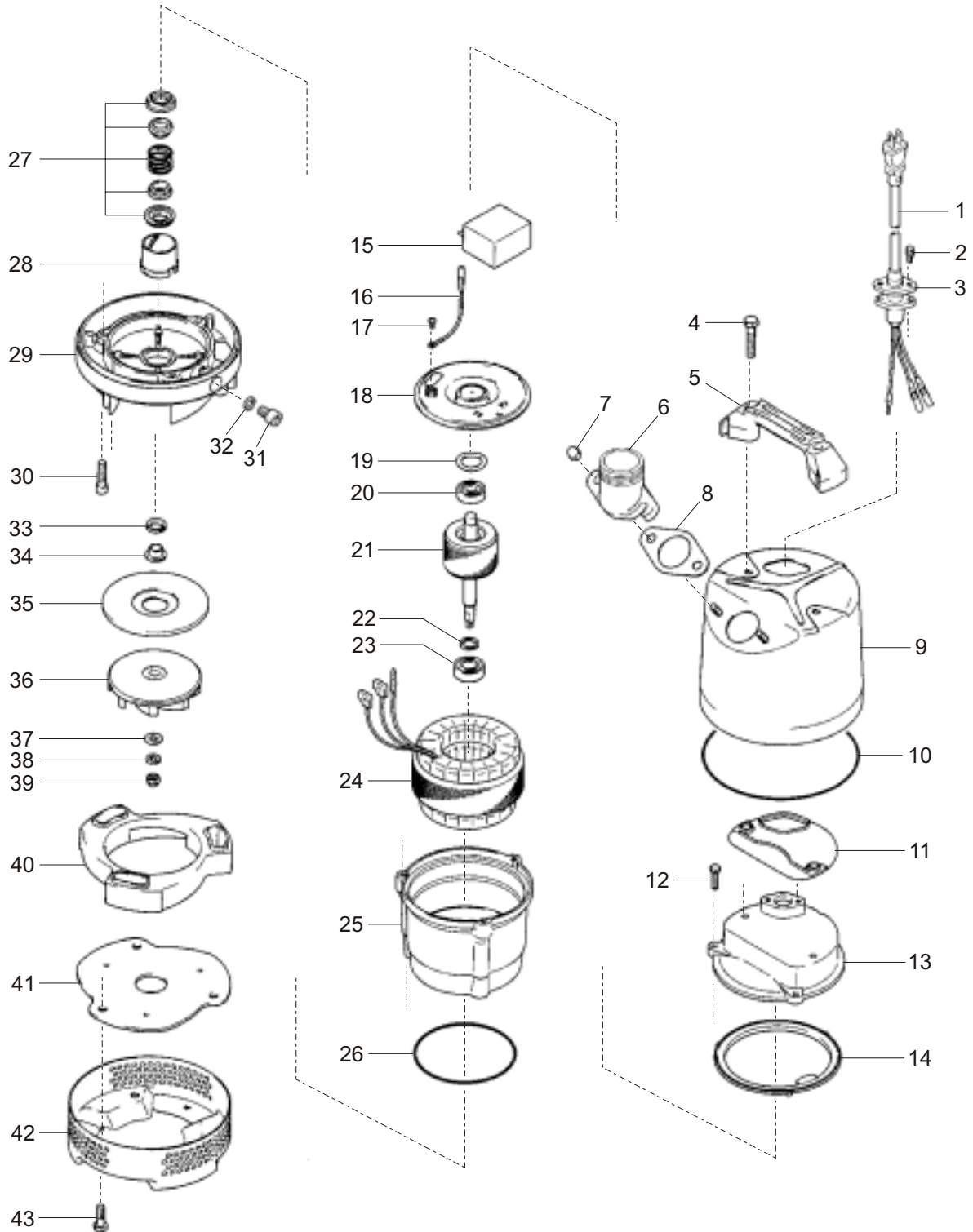
Feb-09

Parts List

Submersible Dewatering Pump

Control No:

Date: 03-18-2005

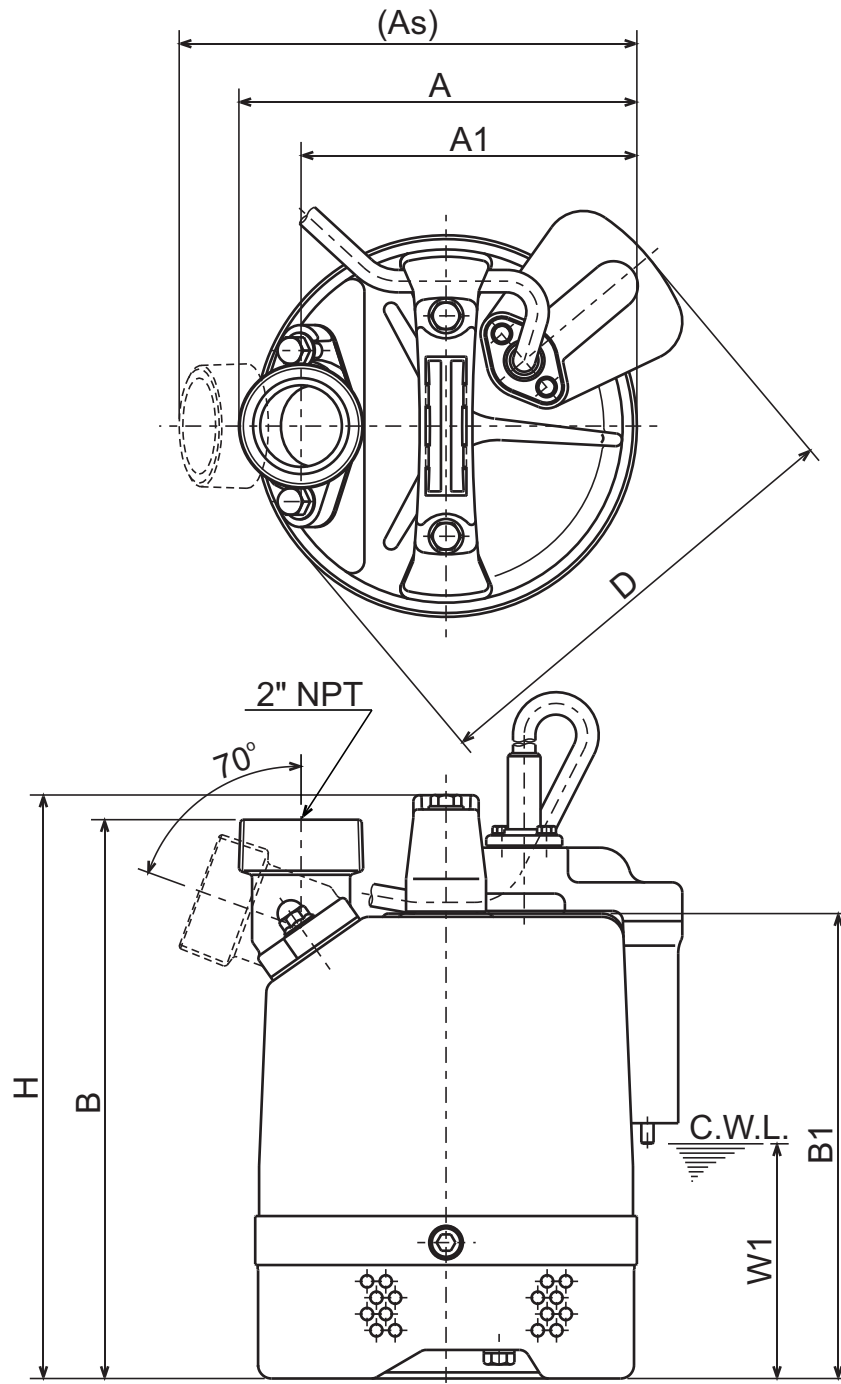




LB - SERIES
SEMI-VORTEX - DEWATERING PUMP (AUTO-TYPE)

DIMENSIONS

LB-480A-62



C.W.L. : Continuous running Water Level

DIMENSIONS:USCS (Inch)

Model	HP	NOM. SIZE	Pump & Motor							C.W.L. W1	Wt. (lbs.)
			A	As	A1	B	B1	D	H		
LB-480A-62	2/3	2"	7 11/16	8 13/16	6 1/2	10 3/4	8 15/16	8 3/4	11 1/4	4 1/2	22

DIMENSIONS:METRIC (mm)

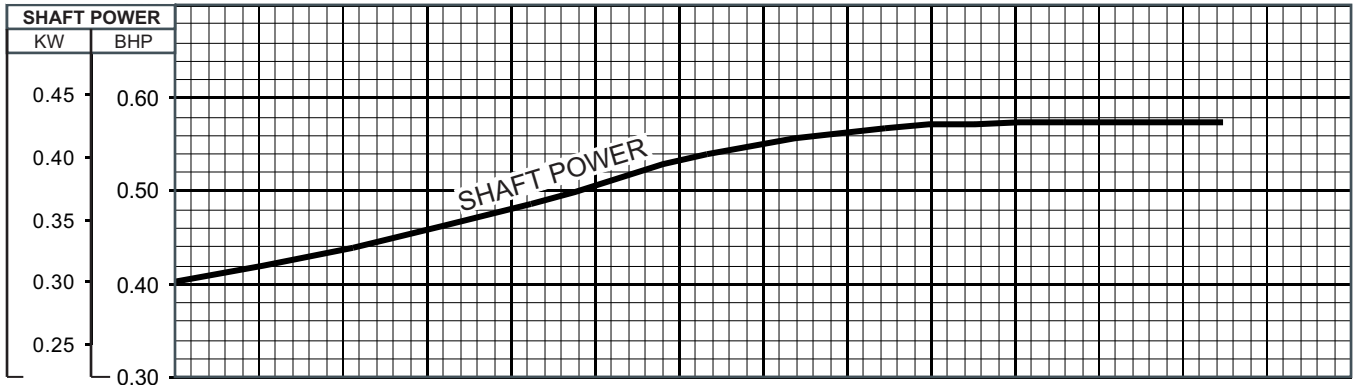
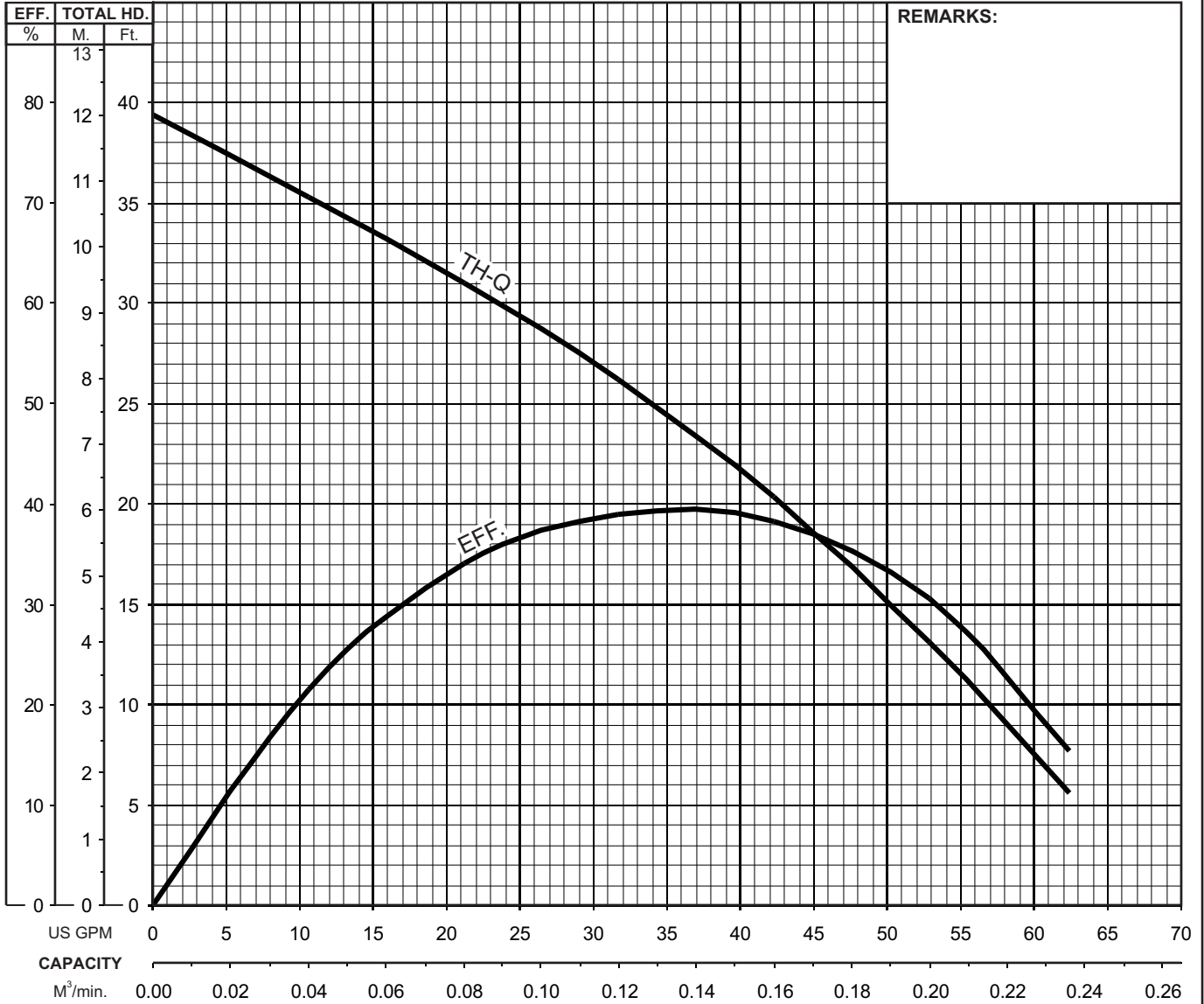
Model	kW	NOM. SIZE	Pump & Motor							C.W.L. W1	Wt. (kg)
			A	As	A1	B	B1	D	H		
LB-480A-62	0.48	50	195	224	165	274	228	223	286	115	10.0



LB - SERIES SEMI-VORTEX - DEWATERING PUMP

PERFORMANCE CURVE

MODEL	BORE	HP	KW	RPM	SOLIDS DIA	LIQUID	SG.	VISCOSITY	TEMP.
LB(Z)-480(A)-62	2"/50mm	0.64	0.48	3255	0.236"/6mm	Water	1.0	1.123 cSt.	60°F
PUMP TYPE		PHASE	VOLTAGE	AMPERAGE	HZ	STARTING METHOD	INS. CLASS		
Semi-Vortex - Dewatering Pump		Single	110/115/120, 230	6.1 / 5.9 / 5.7 , 3.0	60	Capacitor Start	E		
CURVE No.	DATE	PHASE	VOLTAGE	AMPERAGE	HZ	STARTING METHOD	INS. CLASS		
-	-	-	-	-	-	-	-		



PARTS LIST		ELECTRIC SUBMERSIBLE PUMP			1/20/2014	
ITEM	PART No.	DESCRIPTION	QTY	SIZE	MATERIAL	NOTES
1	001-944-11	Cabytre Cable Set (10m)110V-60Hz	1	STOW3x1.25mm2(CSA)	LBD	
2	140-446-12	Hex.Bolt (w/Plain Washer)	2	M5x38	SUS304	
3	003-190-10	Gland	1		SUS316	
4	114-000-91	Relay Unit	1Set	EL-2P-100		interchangable with OLD part# 114-000-78
4	114-000-79	Relay Unit	1Set	EL-2P(200V)		
5	140-000-13	Hex.Bolt (w/Plain Washer)	2	M8x65	SUS304	
6	068-000-06	Handle	1	LB-250/480-52/62	Resin	
7	032-426-18	Hose Coupling	1	NPT-2(LB-480-51/61)	ADC	
8	121-587-17	Packing	1	LB-250/480-51/61	NBR	*
9	141-144-10	Hex.Nut (w/Flange)	2	M8	SUS304	
10	065-382-13	Outer Cover	1	LB-250/480-51/61	SPC	
11	122-453-16	O-Ring	1	172xd2.7	NBR	*
12	121-434-18	Packing	1	LB3-250/480	Synthetic Rubber	*
13	140-396-16	Hex.Bolt (w/Plain Washer)	3	M6x20	SUS304	
14	051-282-19	Head Cover	1		ADC	
15	121-546-14	Packing	1	d120xd142x6.2t	NBR	*
16		Capacitor	1			
17	143-203-14	Pan Screw	1	M4x5	C360	
18	050-486-12	Motor Bracket	1		SECD	
19	142-192-16	Wave Washer	1	6201(D=32,t=0.4)	SK5	
20	052-100-15	Bearing	1	6201ZZC3		
21	055-889-14	Rotor	1Set	w/Bearing		
22	061-180-17	Bearing Collar	1	d15.1xd20x1.6t	SS	
23	052-101-16	Bearing	1	6202ZZC3		
24	056C6713	Stator	1Set	w/Miniature Protector		
25	064-508-14	Motor Frame	1		ADC	
26	122-133-17	O-Ring	1	G-110(109.4xd3.1)	NBR	*
27	025-291-10	Mechanical Seal	1	W-14VL	SSIC	
28	030-000-09	Oil Lifter	1	W-14VL	Resin	
29	029-000-70	Oil Casing	1	LB-250/480-51/61	ADC	
30	140-252-19	Hex.Socket Cap Bolt	3	M6x20	SUS304	
31	035-124-12	Oil Plug	1	M10x15	SUS304	
32	121-246-11	Packing	1	d10.3xd16x2t	PE	*
33	122-441-11	V-Ring	1	VR-14	NBR	
34	071-292-14	Shaft Sleeve	1	LB3-250/480	SUS304	
35	031-000-01	Wear Ring	1	LB-250/480-51/61	SPC+Rubber	
36	021-007-44	Impeller (60Hz)	1	LB-480-62(For 60Hz)	Urethane Rubber	
37	142-127-10	Plain Washer	1	M8	SUS304	
38	142-163-18	Spring Washer	1	M8	SUS304	
39	141-030-12	Hex.Cap Nut	1	M8	SUS304	
40	020B8919	Pump Casing	1	LB-250/480-51/61	Synthetic Rubber	
41	022-001-28	Suction Cover	1	LB-250/480-52/62	SPC+Rubber	
42	023-547-18	Strainer Stand	1	LB-250/480-51/61	SPCC	
43	140-000-14	Hex.Bolt (w/Plain Washer)	3	M8x20	SUS304	

* Indicates items included in set

PARTS LIST		ELECTRIC SUBMERSIBLE PUMP				1/20/2014
ITEM	PART No.	DESCRIPTION	QTY	SIZE	MATERIAL	NOTES
		Packing O-Ring Set				
	173-567-12	Packing O-Ring Set	1Set	(Marked by *)		
8	121-587-17	Packing (Hose Coupling)	1	LB-250/480-51/61	NBR	*
11	122-453-16	O-Ring (Out.Cover/O.Casing)	1	172xd2.7	NBR	*
12	121-434-18	Packing (Out.Cover/Head Cover)	1	LB3-250/480	Synthetic Rubber	*
15	121-546-14	Packing (Head Cover/M.Frame)	1	d120xd142x6.2t	NBR	*
26	122-133-17	O-Ring (M.Frame/M.Bracket)	1	G-110(109.4xd3.1)	NBR	*
32	121-246-11	Packing (Oil Plug)	1	d10.3xd16x2t	PE	*
		Lubricant		Turbine Oil VG32 155ml		

PARTS LIST		ELECTRIC SUBMERSIBLE PUMP			1/20/2014	
ITEM	PART No.	DESCRIPTION	QTY	SIZE	MATERIAL	NOTES

EXPLODED VIEW

LB-480A-52/62

LB-480A-53/63

