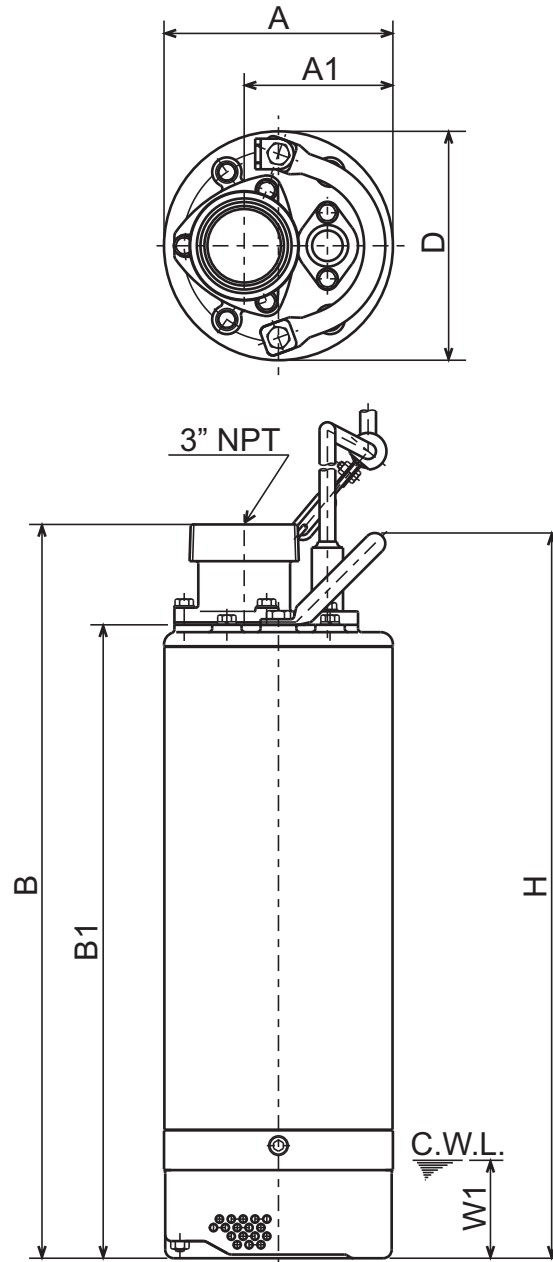




**LB - SERIES**  
**SEMI-VORTEX - DEWATERING PUMP**

**DIMENSIONS**

**LB-1500-60**  
**LBT-1500-60**



C.W.L. : Continuous running Water Level

**DIMENSIONS:USCS (Inch)**

Model	HP	NOM. SIZE	Pump & Motor						C.W.L.	Wt. (lbs.)
			A	A1	B	B1	D	H	W1	
LB-1500-60	2	3"	7 3/8	4 13/16	23 5/8	20 3/8	7 3/8	23 5/16	3 1/8	72
LBT-1500-60	2	3"	7 3/8	4 13/16	23 5/8	20 3/8	7 3/8	23 5/16	3 1/8	70

**DIMENSIONS:METRIC (mm)**

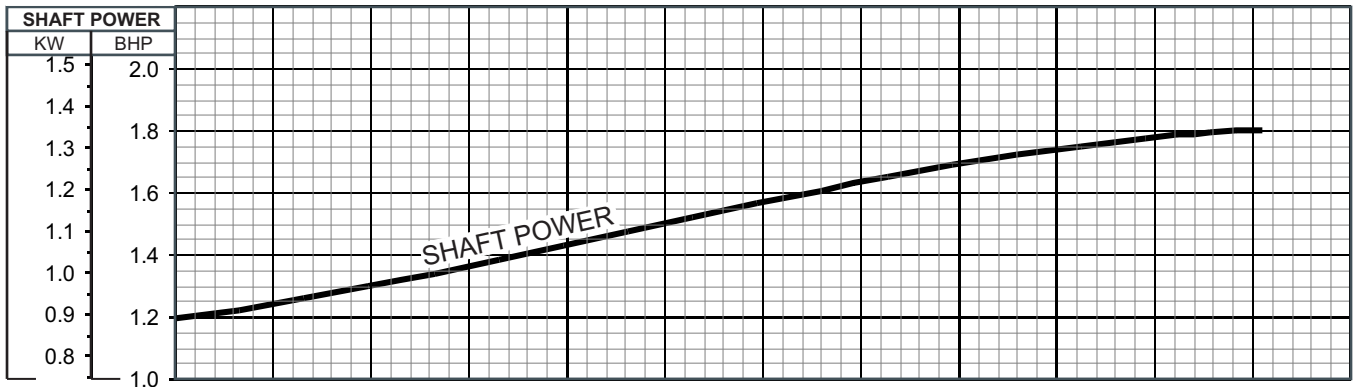
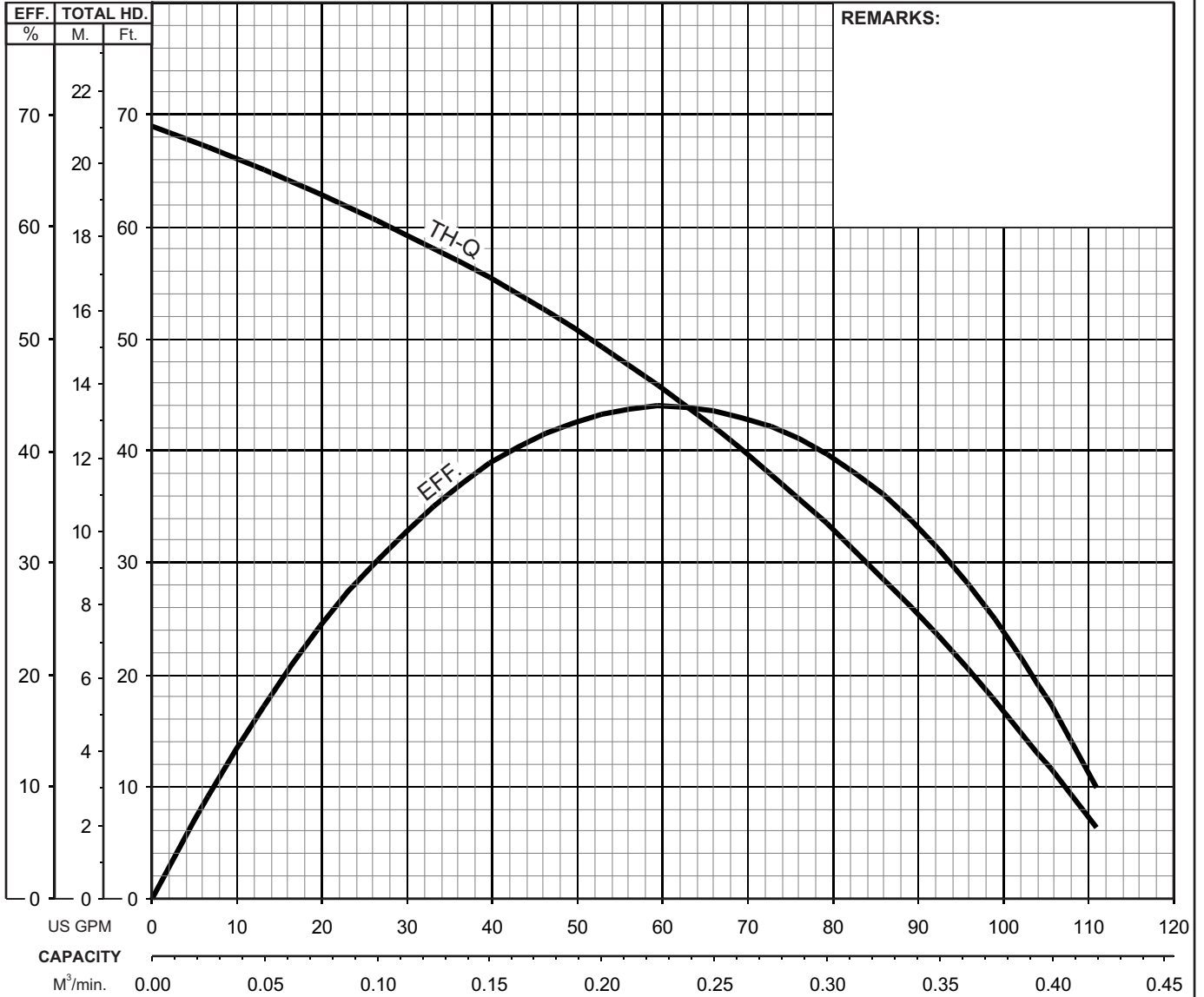
Model	kW	NOM. SIZE	Pump & Motor						C.W.L.	Wt. (kg)
			A	A1	B	B1	D	H	W1	
LB-1500-60	1.5	80	187	122	600	518	187	593	80	32.5
LBT-1500-60	1.5	80	187	122	600	518	187	593	80	32.0



## LB - SERIES SEMI-VORTEX - DEWATERING PUMP

## PERFORMANCE CURVE

MODEL	BORE	HP	KW	RPM	SOLIDS DIA	LIQUID	SG.	VISCOSITY	TEMP.
LB-1500-60	3"/80mm	2	1.5	3480	0.236"/6mm	Water	1.0	1.123 cSt.	60°F
PUMP TYPE	PHASE	VOLTAGE	AMPERAGE	HZ	STARTING METHOD	INS. CLASS			
Semi-Vortex Dewatering Pump	Single	110/115/120, 230	27.1/26.2/27.0, 13.2	60	Capacitor Start	B			
CURVE No.	DATE	PHASE	VOLTAGE	AMPERAGE	HZ	STARTING METHOD	INS. CLASS		
-	-	-	-	-	-	-	-		





MODEL LB-1500-60

PARTS LIST

PORTABLE DEWATERING PUMP

DATE: FEB. 2009

ITEM	PARTS No.	DESCRIPTION	Q'TY	SIZE	MATERIAL	NOTES
1	001-004-59	Cable w/ Gland 50' 3Cx12AWG	1	2PNCTF3Cx3.5mm2	LB-1500	Includes Gland
2	140-477-12	Bolt M8x30 w/PI Washer	2	M8x30, w/ Washer	SUS304	
3	003-000-22	Gland LB-1500	1	LB-1500	ADC	Included in ITEM# 1
4	009-276-19	Compression type Terminal 115V	3	TMNB-5.5(Insulated)	CU	
5	140-477-12	Bolt M8x30 w/PI Washer	3	M8x30, w/ Washer	SUS304	
6	032-355-15	Hose Coupling NPT 3"	1	NPT-3" (KTV2)	FC	
7	121-001-09	Packing	1	KTV2-15/22	NBR	*
8	142-128-24	Plain Washer M10	1	M10		
9	140-075-16	Hex. Bolt 10x25	2	M10x25	SUS304	
10	068-000-25	Handle LB-1500	1	LB-1500	SGP	
11	140-032-37	Hex. Bolt M6x15	1	M6x12	SWRM	
12	010-120-18	Cable Clip	1	No.2-1	SPC	
13	141-004-59	Hex.Nut M6	1	M6	SWRM	
14	095-131-18	Chain	1	d4(3-Link)	SS	
15	011-110-11	Shackle	1	6mm	SS	
16	070-117-11	Fittings(Shape L)	1	KTZ 3.7-11kW	SPC	
17	010-124-15	Cable Clip Rubber	1	No.3	NBR	
18	140-060-18	Hex. Bolt 8x50	4	M8x50	SUS304	
19	142-163-18	Spring Washer M8	4	M8		
20	142-337-15	Seal Washer SM-8	4	SM-8	SUS+NBR	*
21	051-000-31	Mtr. Head Cover (U)LB(T)-1500	1		ADC	
22	122-172-18	O-Ring V-175 LB-1500	1	V-175	NBR	*
23	065-000-38	Outer Cover LB-1500	1	LB-1500	SPCC	
24	122-119-17	O-Ring G-40	1	G-40	NBR	*
25	051-000-33	Motor Head Cover (L)LB(T)-1500	1		ADC	
26	140-432-15	Hex.Bolt (w/Spring Washer/Plain Washer)	4	M8x30	SUS304	
27	143-013-15	Cross Head Screw 4x6	2	M4 x 6L	SWRM	
28	127-000-39	Capacitor Fixing Plate LB-1500	2		SPCC	
29	076-000-33	Capacitor 600MFD LB-1500	1	600MFD-125VAC(L=100)		
30	143-014-16	Cross Pan Screw 4x8	4	M4x8, w/ S.Washer	SWRM	
31	078-000-03	Centrifugal Switch Cover LB-1500	1	LB-1500	SECC	
32	143-087-23	Pan Screw (w/Spring Washer)	2	M4x10	SWRM	
33	053-001-54	Motor Protector 115V KA113-CCZL0	1	KA113-CCZL00	(H.C)	
33	053-001-55	Motor Protector 220V KA113-CCZL4	1	KA113-CCZL402	(H.C)	
34	141-000-07	Hex.Nut M10	1	M10	SUS304	
35	077-115-10	Centrifugal Switch (Set of 2 pcs)	1			
36	143-135-14	Pan Screw (w/Spring Washer/Plain Washer)	2	M4x10	SWRM	
37	143-000-36	Pan Screw M3x5	2	M3x5	SWRM	
38	140-000-44	Hex.Bolt (w/Spring Washer/Plain Washer)	1	M4x8	SWRM	
39	009-000-76	Earth Terminal 115V-60Hz(USA)	1	AWG10x250L(Yellow/Green)		
39	009-000-77	Earth Terminal 230V-60Hz(USA)	1	AWG14x250L(Yellow/Green)		
40	050-000-53	Motor Bracket LB-1500	1		ADC	
41	142-195-19	Wave Washer #6204/6303	1	#6204	SK-5	
42	052-187-16	Bearing w/ O-Ring AC-6204	1	AC-6204ZZC3		
43	147-000-33	Key 5.5x6.5x8 LB-1500	1	5.5x6.5x8	S45C	
44	056-003-99	Stator 115V LB-1500	1			
44	056-003-98	Stator 230V LB-1500	1			
45	055-001-36	Rotor w/Bearing LB-1500	1	w/Bearing		
46	147-017-11	Impeller Key 5x5x20	1	5x5x20L	SUS	
47	052-108-13	Bearing	1	6305ZZC3		
48	122-139-13	O-Ring G-140	1	G-140	NBR	*
49	121-001-00	Packing (Mtr. Frame) LB-1500	1	d132xd139x2t	NBR	*
50	064-000-83	Motor Frame LB-1500	1		ADC	
51	025-243-17	Mechanical Seal H-20T	1	H-20T	SiC	
52	030-144-13	Oil Lifter H-20(T)	1	H-20(A)(T)	Resin	
53	143-070-23	Cross Pan Screw (Scotch) 5x6	2	M5x6	SWRM	
54	143-070-10	Cross Head Screw 5x6	2	M5 x 6L	SWRM	
55	030-155-17	Fixing Plate H-20	1	H-20(KTV2)	SPCC	
56	122-135-19	O-Ring G-120 (3.1)	1	G-120	NBR	*
57	122-172-18	O-Ring V-175 LB-1500	1	V-175	NBR	*
58	029-000-69	Oil Casing LB-1500	1		FC	
59	121-246-11	Packing 10.3x16x2t	1	d10.3xD16x2t	PE-sheet	*
60	035-124-12	Oil Plug 10x15	1	M10 x 15	SUS304	



MODEL LB-1500-60

PARTS LIST

PORTABLE DEWATERING PUMP

DATE: FEB. 2009

ITEM	PARTS No.	DESCRIPTION	Q'TY	SIZE	MATERIAL	NOTES
61	140-257-14	Hex. Socket Cap Bolt 6x40	3	M6x40	SUS304	
62	122-443-13	V-Ring NK2/KTV2-15/22	1	VR-20	NBR	
63	071-297-19	Shaft Sleeve NK2/KTV2-15/22	1	d16xD20x10L	SUS304	
64	031-000-13	Wear Ring LB-1500	1	LB-1500	BRNR	
65	040-000-09	Impeller Washer LB-1500	0	d16.2xd26x0.3/0.5t	SUS304	
66	021-007-01	Impeller (60HZ) LB-1500	1	LB-1500-60	HICRFC	
67	142-165-10	Spring Washer M12	1	M12	SUS304	
68	141-032-14	Hex. Nut M12	1	M12	SUS304	
69	020-002-05	Pump Casing LB-1500	1	LB-1500	BRNR	
70	144-000-40	Stud Bolt	3	M8x88(13/21)	SUS403	
71	023-000-76	Strainer Stand LB-1500	1	LB-1500	SPC	
72	141-005-18	Hex. Nut M8	3	M8	SUS304	

**Packing O-ring Set:**

	173-001-59	Packing O-Ring Set LB(T)-1500	1	(*)		
7	121-001-09	Packing	1	KTV2-15/22	NBR	
20	142-337-15	Seal Washer SM-8	4	SM-8	SUS+NBR	
22	122-172-18	O-Ring V-175 LB-1500	1	V-175	NBR	
24	122-119-17	O-Ring G-40	1	G-40	NBR	
48	122-139-13	O-Ring G-140	1	G-140	NBR	
49	121-001-00	Packing (Mtr. Frame) LB-1500	1	d132xd139x2t	NBR	
56	122-135-19	O-Ring G-120 (3.1)	1	G-120	NBR	
57	122-172-18	O-Ring V-175 LB-1500	1	V-175	NBR	
59	121-246-11	Packing 10.3x16x2t	1	d10.3xD16x2t	PE-sheet	

**OPTIONAL:**

1	001-004-58	Cable w/ Gland 50' 3Cx14AWG	1	2PNCTF3Cx2mm2	LB-1500	Includes Gland
6	032-351-11	Hose Coupling NPT 2"	1	NPT-2" (KTV2)	FC	
66	021-007-00	Impeller (50HZ) LB-1500-50	1	LB-1500-50	HICRFC	model becomes LB-1500-50
	Lubricant	Turbine Oil #32		350ML / 11.9oz		SAE 10W-20

**NOTE:**

Pricing in U.S. currency and subject to change without notice.

Items with (\*) indicate items are included in the set

New Pricing Updates:

Feb-09

# EXPLODED VIEW

LB-1500-50/60

