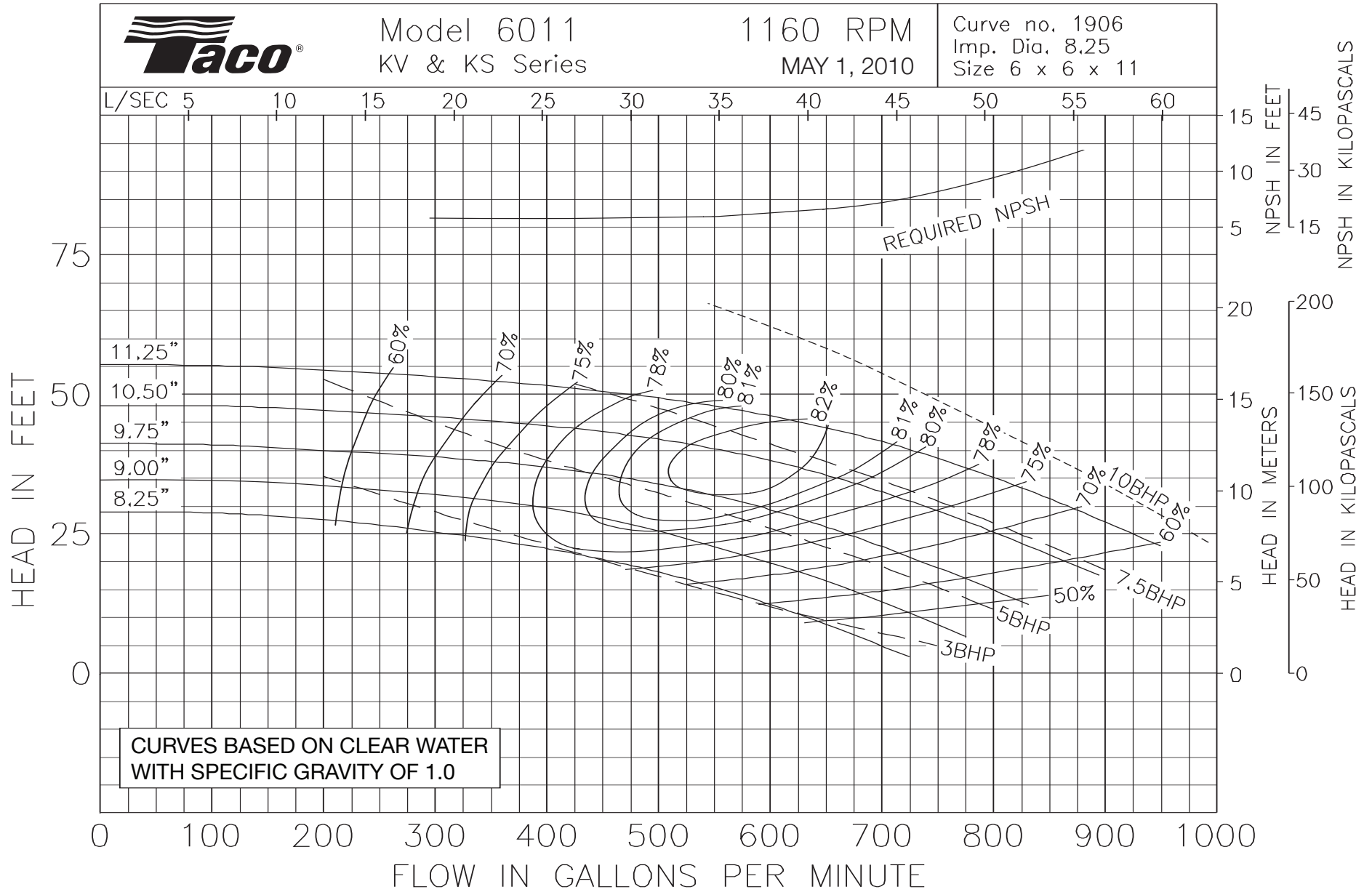




Model 6011
KV & KS Series

1160 RPM
MAY 1, 2010

Curve no. 1906
Imp. Dia. 8.25
Size 6 x 6 x 11



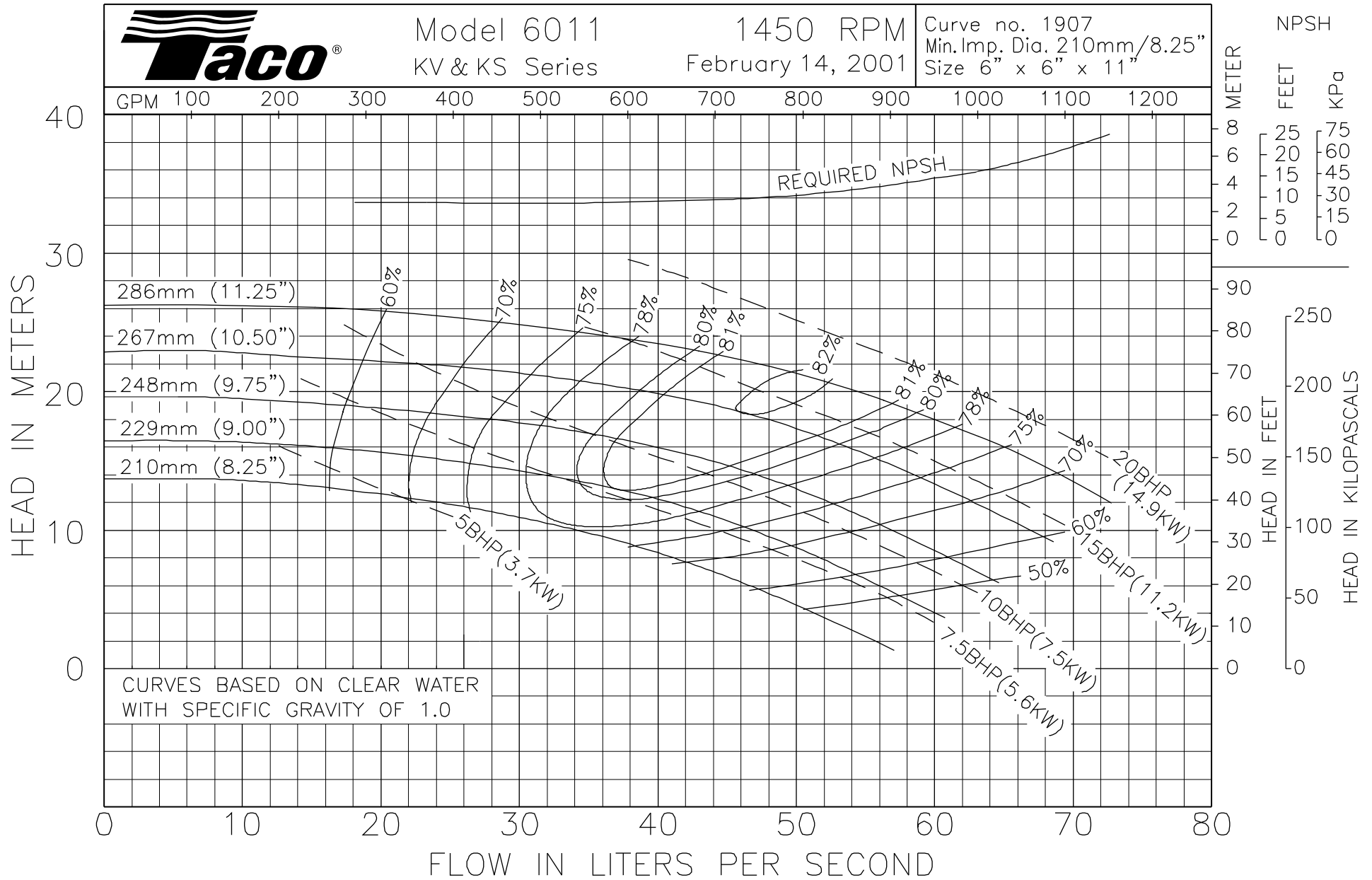
CURVES BASED ON CLEAR WATER
WITH SPECIFIC GRAVITY OF 1.0



Model 6011
KV & KS Series

1450 RPM
February 14, 2001

Curve no. 1907
Min. Imp. Dia. 210mm/8.25"
Size 6" x 6" x 11"

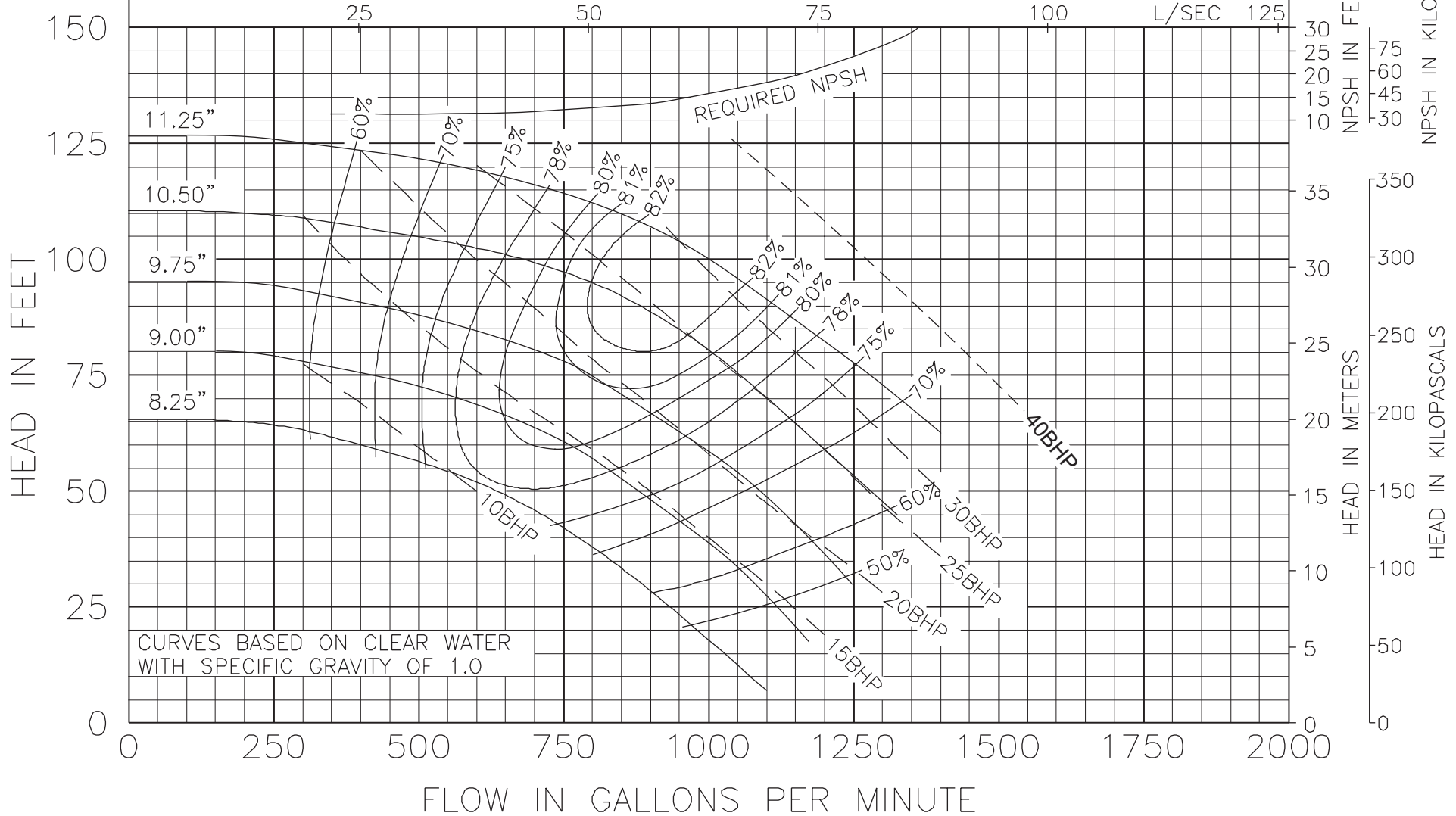




Model 6011
KV & KS Series

1760 RPM
October 23, 2000

Curve no. 1908
Min. Imp. Dia. 8.25
Size 6 x 6 x 11



CURVES BASED ON CLEAR WATER
WITH SPECIFIC GRAVITY OF 1.0