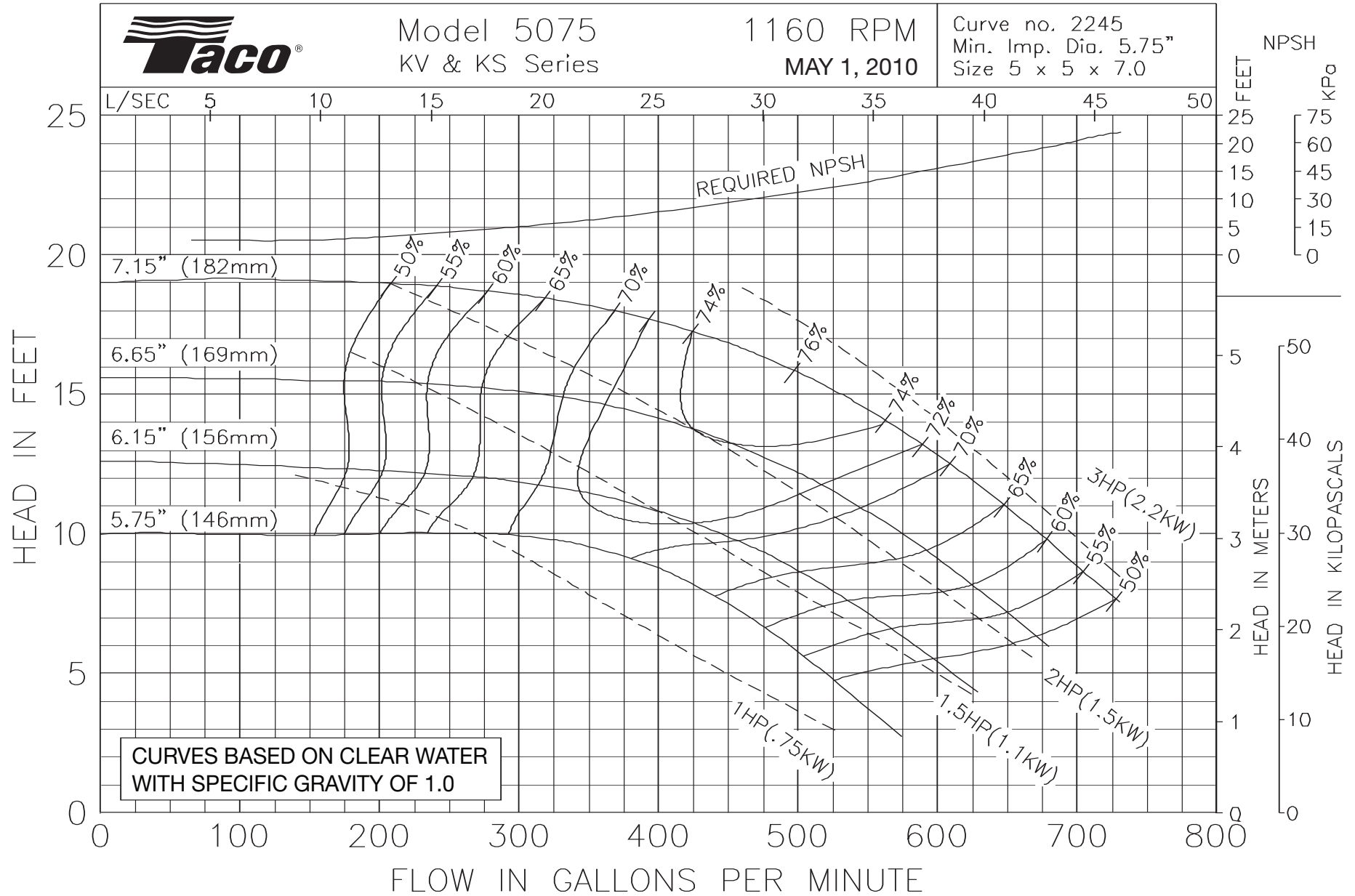




Model 5075  
KV & KS Series

1160 RPM  
MAY 1, 2010

Curve no. 2245  
Min. Imp. Dia. 5.75"  
Size 5 x 5 x 7.0

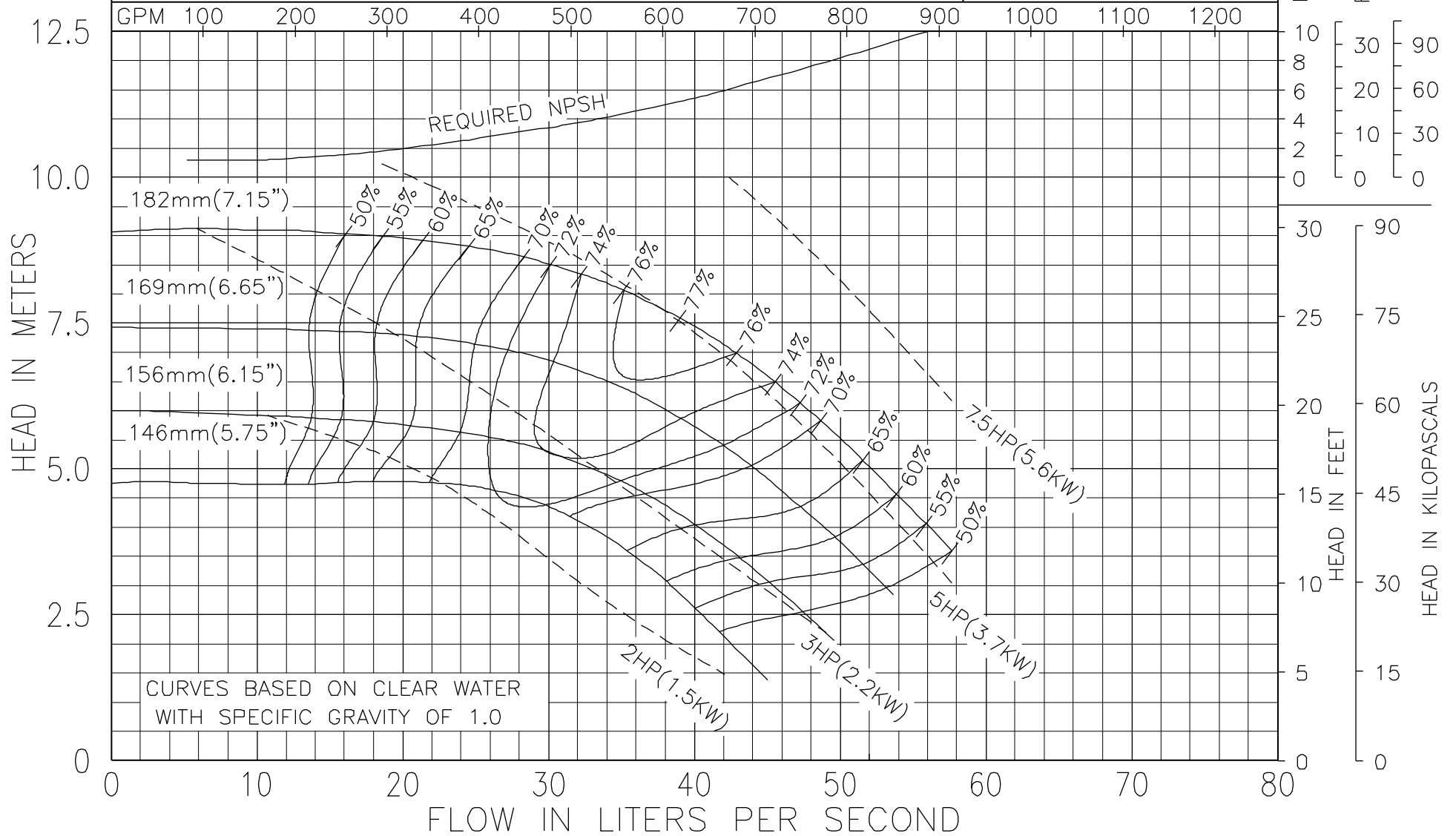




Model 5075  
KV&KS Series

1450 RPM  
JANUARY 07, 2003

Curve no. 2247  
Min. Imp. Dia. 146mm(5.75")  
Size 5 X 5 X 7.0

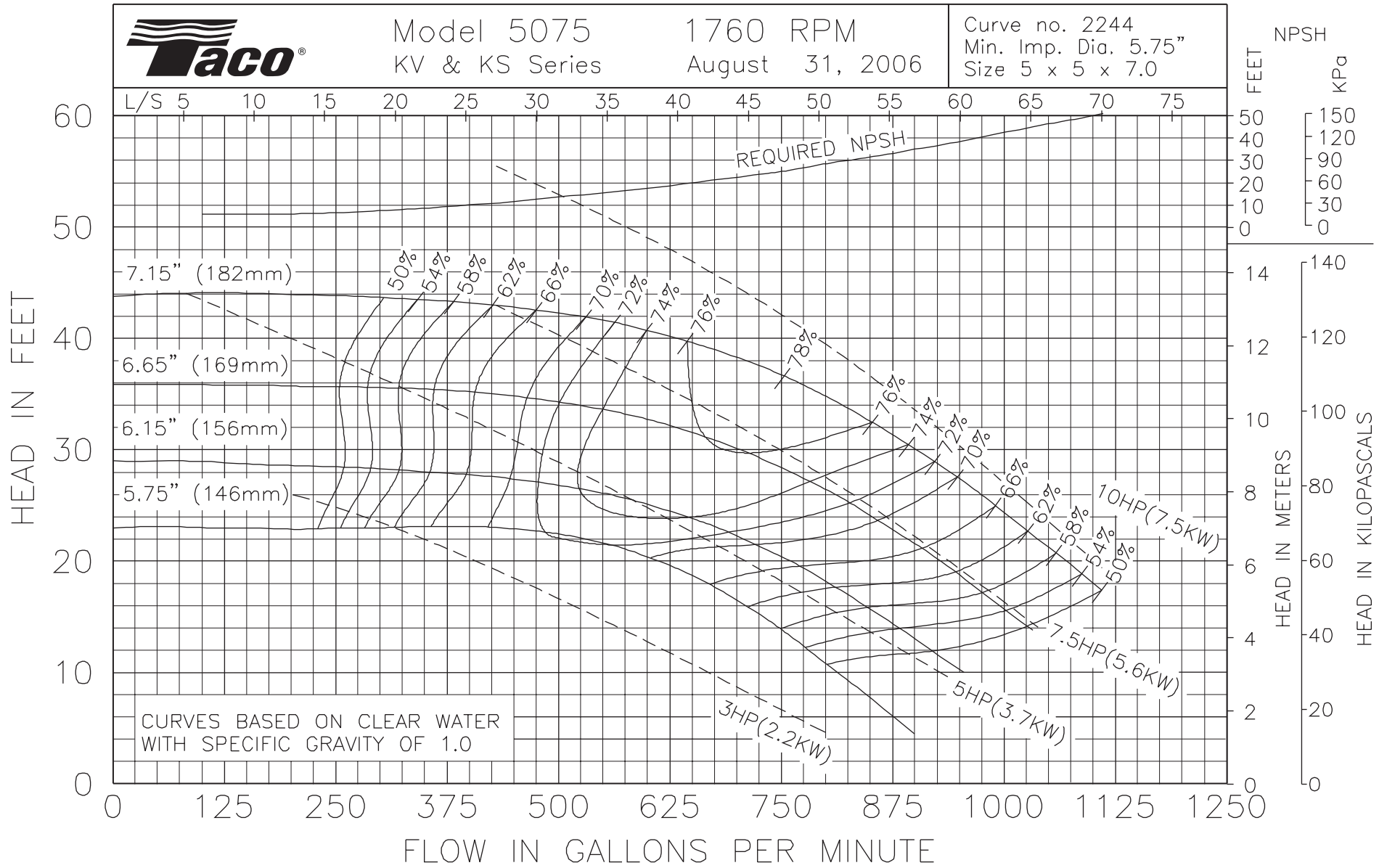




Model 5075  
KV & KS Series

1760 RPM  
August 31, 2006

Curve no. 2244  
Min. Imp. Dia. 5.75"  
Size 5 x 5 x 7.0

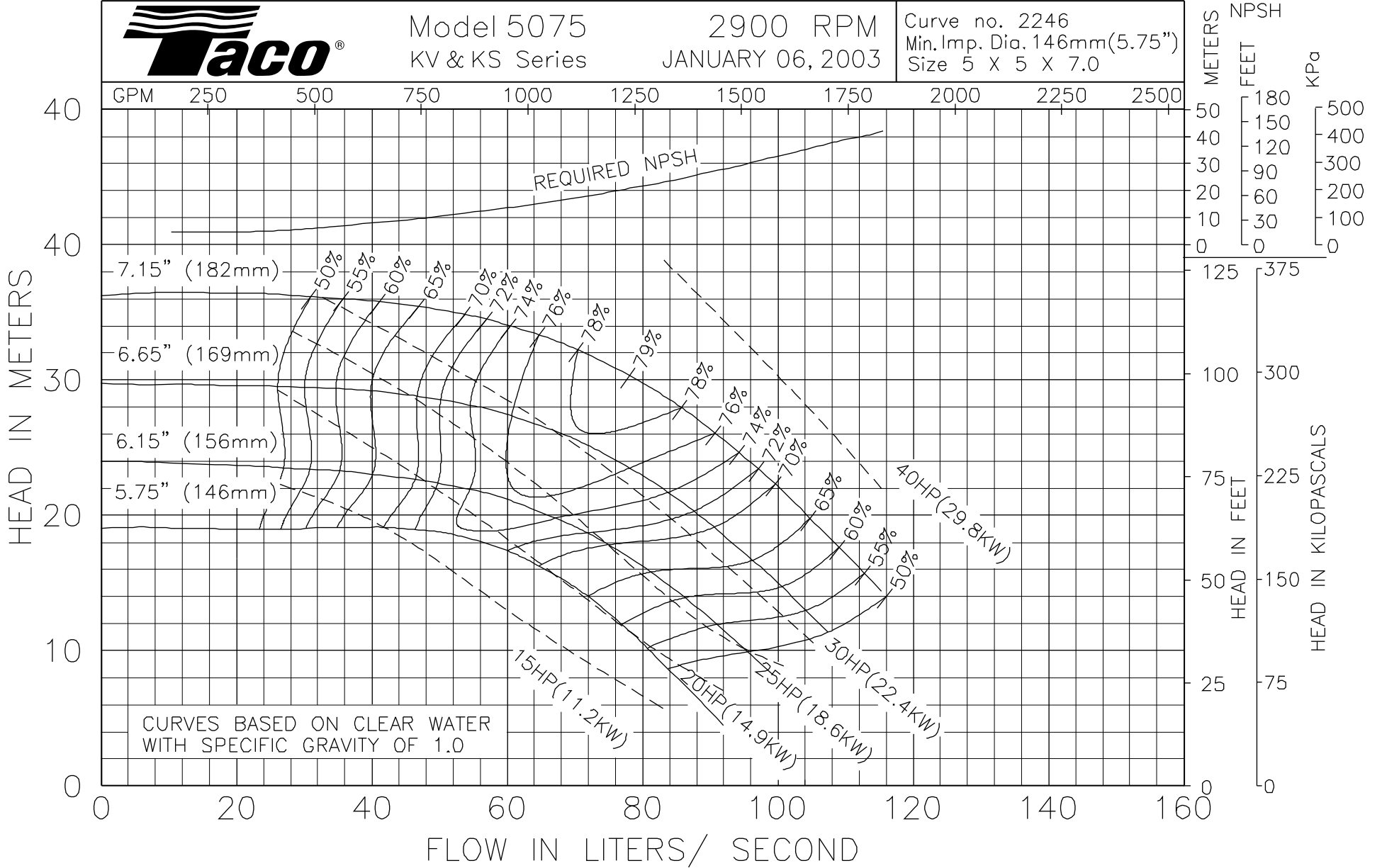




Model 5075  
KV & KS Series

2900 RPM  
JANUARY 06, 2003

Curve no. 2246  
Min. Imp. Dia. 146mm(5.75")  
Size 5 X 5 X 7.0



CURVES BASED ON CLEAR WATER  
WITH SPECIFIC GRAVITY OF 1.0



Model 5075  
KV & KS Series

3500 RPM  
MAY 1, 2010

Curve no. 2243  
Min. Imp. Dia. 5.75"  
Size 5 x 5 x 7.0

