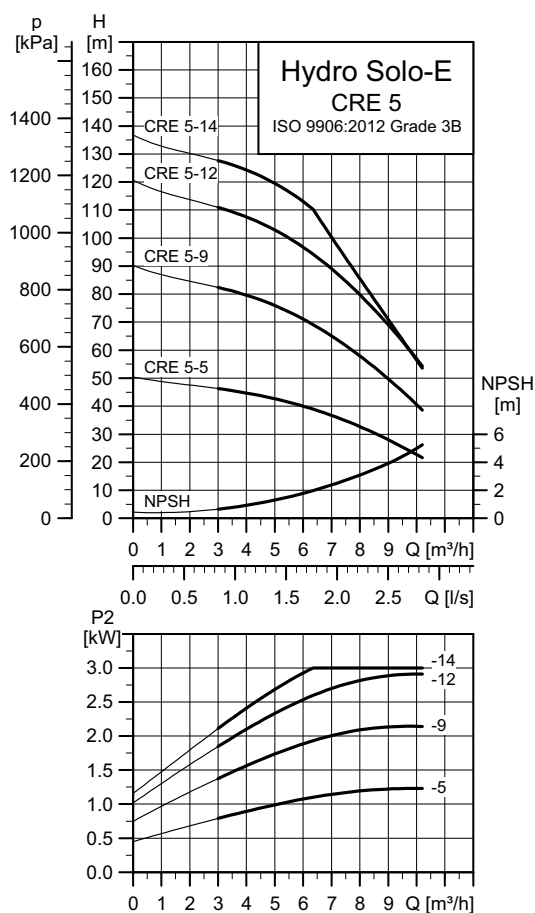
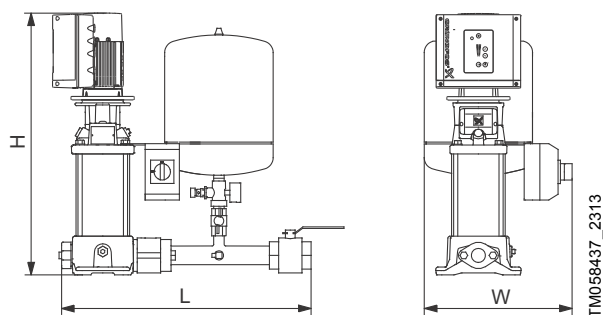


Hydro Solo-E with CRE 5



TM059022 0916



Electrical data, dimensions and weights

International range

Pump type	Motor [kW]	Full-load current [A]	Supply voltage [V]	Tank volume [m³]	Connection inlet/outlet	Weight [kg]		Packing [m³]	Total height [mm]	Dimensions		
						Net weight	Gross weight			A [mm]	H [mm]	L [mm]
CRE 5-2	0.55	3.45 - 2.90	1 x 200-240	18	Rp 1" 1/4	44	47	0.6	468	420	468	600
CRE 5-5	1.5	9.10 - 7.60	1 x 200-240	18	Rp 1" 1/4	53	55	0.6	631	420	631	600
CRE 5-9	2.2	4.15 - 3.40	3 x 380-500	18	Rp 1" 1/4	99	101	0.6	739	420	739	600
CRE 5-12	3	6.20 - 5.00	3 x 380-500	12	Rp 1" 1/4	73	76	0.6	885	420	885	600
CRE 5-14	3	5.80 - 4.80	3 x 380-480	12	Rp 1" 1/4	60	69	0.6	938	420	938	600

Southern European range

Pump type	Motor [kW]	Full-load current [A]	Supply voltage [V]	Tank volume [m³]	Connection inlet/outlet	Weight [kg]		Packing [m³]	Total height [mm]	Dimensions		
						Net weight	Gross weight			A [mm]	H [mm]	L [mm]
CRE 5-2	0.55	3.45 - 2.90	1 x 200-240	25	Rp 1" 1/4	56	76	0.6	468	420	468	600
CRE 5-5	1.5	9.10 - 7.60	1 x 200-240	25	Rp 1" 1/4	64	84	0.6	591	420	631	600
CRE 5-9	2.2	3.3 - 4.0	3 x 380-415	25	Rp 1" 1/4	67	87	0.6	739	420	739	600
CRE 5-12	3	6.2 - 5.0	3 x 380-415	25	Rp 1" 1/4	85	105	0.6	885	420	885	600