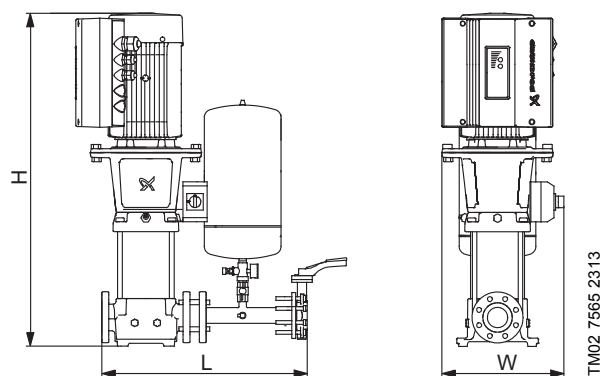
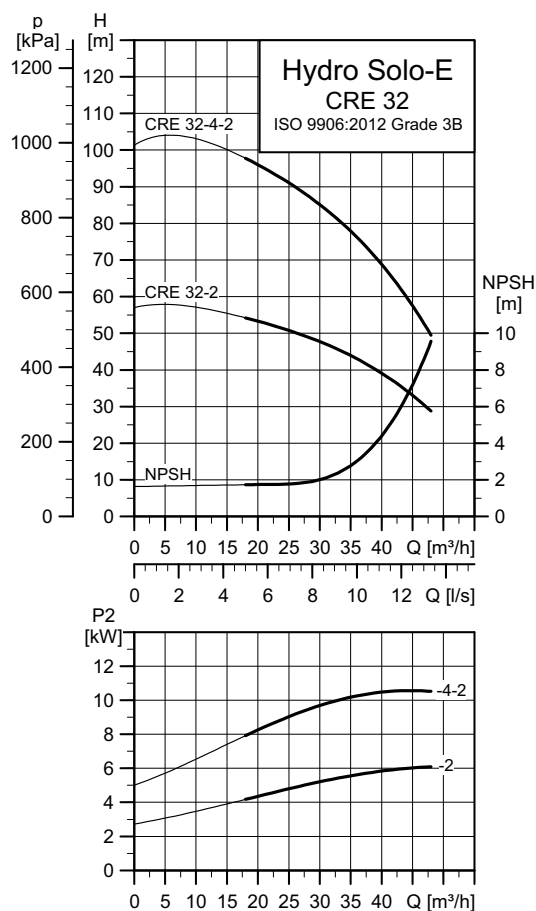


## Hydro Solo-E with CRE 32



## Electrical data, dimensions and weights

### International range

Pump type	Motor [kW]	Full-load current [A]	Supply voltage [V]	Tank volume [m <sup>3</sup> ]	Connection inlet/outlet	Weight [kg]		Packing [m <sup>3</sup> ]	Total height [mm]	Dimensions		
						Net weight	Gross weight			A [mm]	H [mm]	L [mm]
CRE 32-2-2	7.5	14.1 - 11.2	3 x 380-500	33	DN 65	118	129	0.6	964	435	964	875

### Southern European range

Pump type	Motor [kW]	Full-load current [A]	Supply voltage [V]	Tank volume [m <sup>3</sup> ]	Connection inlet/outlet	Weight [kg]		Packing [m <sup>3</sup> ]	Total height [mm]	Dimensions		
						Net weight	Gross weight			A [mm]	H [mm]	L [mm]
CRE 32-2-2	5.5	11.0 - 8.8	3 x 380-480	33	DN 65	143	163	0.6	966	430	966	670
CRE 32-4-2	11	20.3 - 16.0	3 x 380-415	25	DN 65	203	213	0.6	1231	435	1231	85