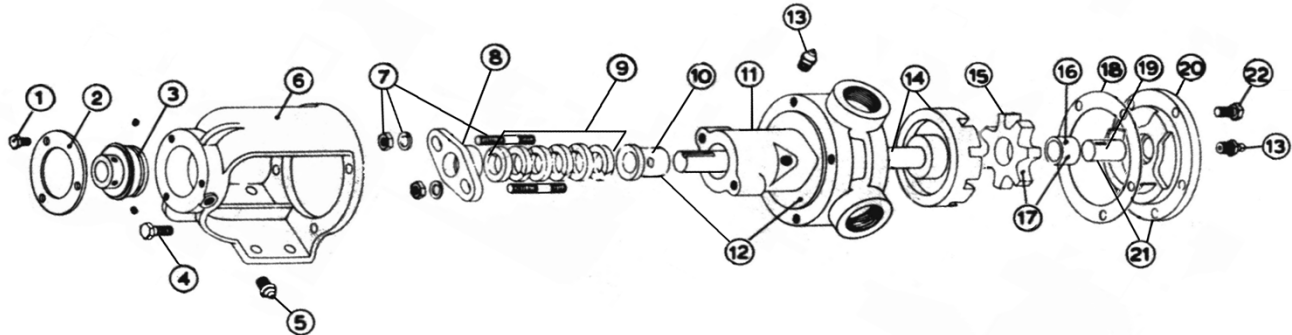


**MODEL H-115 with Packing**

Subject to change without notice  
 F.O.B. Factory

Supersedes all previous parts lists

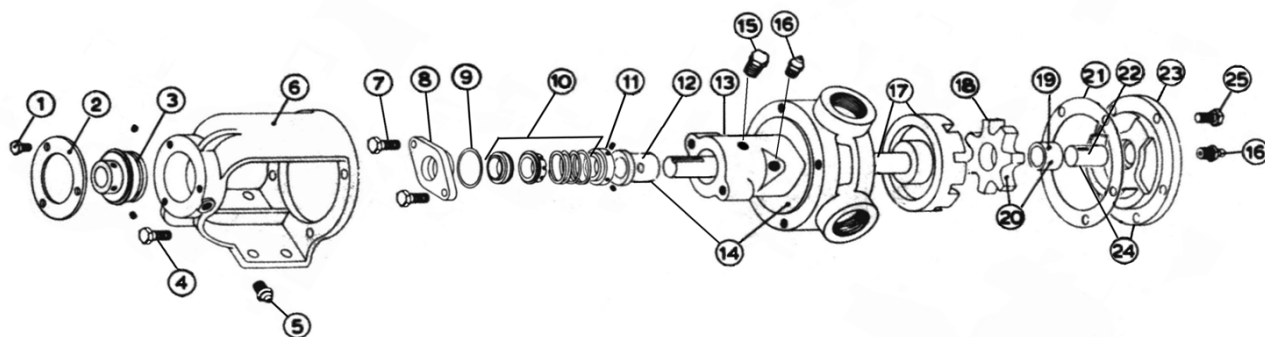


ITEM	DESCRIPTION	MATERIAL	PART NUMBER	QTY	PRICE
1	Bearing Retainer Bolts	1/4-28X5/8 Hex Cap Screw GR5	355-00-006-670	4	
2	Bearing Retainer	Alluminum	145-02-050-010	1	
3	Ball Bearing	Steel	150-00-125-605	1	
4	Bracket Bolt	5/16-18X3/4 Hex Cap Screw GR5	355-00-035-670	4	
5	Grease Fitting	1/8 NPT Straight Grease Fitting	325-00-025-605	1	
6	Bracket	Iron	165-02-005-310	1	
7	Packing Gland Fasteners	5/16-18X2 T 1/2 N 1 Stud	355-00-414-620	2	
		5/16" Flat Washer	355-00-493-660	2	
		5/16" Lockwasher	355-00-529-660	2	
		5/16-18 Heavy Hex Nut	355-00-575-660	2	
8	Packing Gland	Iron	370-02-050-310	1	
9	Packing Set	Standard - Up To 500 Deg F - C1065	365-00-250-780	1	
		Food Grade - Not Certified - C1045	365-00-250-751	1	
		High Temperature - 1625GF	365-00-250-280	1	
10	Casing Bushing	Bronze	175-02-070-050	1	
		Carbon	2-095-011-880-02	1	
11	Casing	Iron	190-02-200-310	1	
12	Casing and Bushing Ass'y	Iron / Bronze	185-03-200-330	1	
		Iron / Carbon	185-03-200-332	1	
13	Grease Fitting	1/4-28 Staight Grease Fitting	325-00-075-605	1	
14	Rotor and Shaft Ass'y	Iron / Steel	455-03-104-349	1	
		-	-		
15	Idler	Iron	2-418-008-352-40	1	
16	Idler Bushing	Bronze	2-095-013-454-02	1	
		Carbon	2-095-010-880-02	1	
17	Idler and Bushing ass'y	Iron / Bronze	285-03-080-330	1	
		Iron / Carbon	285-03-080-332	1	
18	Head Gasket	Iron	245-00-046-240	2	
19	Idler Pin	Steel - Solid	295-00-050-690	1	
		Steel - Grooved	295-00-040-690	1	
20	Head	Iron - Plain	2-370-001-100-00	1	
		Iron - Relief Valve	265-02-060-310	1	
21	Head and Idler Pin Ass'y	Iron - Plain / Steel - Greasable	270-03-050-350	1	
		Iron - Plain / Steel - Non-Greasable	270-03-055-350	1	
		Iron - Relief Valve / Steel - Greasable	270-03-060-350	1	
		Iron - Relief Valve / Steel - Non-Greasable	270-03-065-350	1	
22	Head Bolts	5/16-18X3/4 Hex Cap Screw GR5	355-00-035-670	5	

**MODEL H-115 with Mechanical Seal**

Subject to change without notice  
 F.O.B. Factory

Supercedes all previous parts lists



ITEM	DESCRIPTION	MATERIAL	PART NUMBER	QTY	PRICE
1	Bearing Retainer Bolts	1/4-28X5/8 Hex Cap Screw GR5	355-00-006-670	4	
2	Bearing Retainer	Alluminum	145-02-050-010	1	
3	Ball Bearing	Steel	150-00-125-605	1	
4	Bracket Bolt	5/16-18X3/4 Hex Cap Screw GR5	355-00-035-670	4	
5	Grease Fitting	1/8 NPT Straight Grease Fitting	325-00-025-605	1	
6	Bracket	Iron	165-02-005-310	1	
7	Seal Seat Retainer Fasteners	Steel - Hex Head Cap Screw	355-00-050-670	2	
		5/16" Lock washer	355-00-529-660	2	
8	Seal Seat Retainer	Iron	470-02-070-310	1	
		Iron - PTFE Seal Only	470-02-082-310	1	
9	Seal Seat Retainer Oring	Viton #03	360-00-500-850	1	
10	Mechanical Seal Ass'y	Buna / Carbon vs Ni-Resist / Steel - BF-871	335-00-070-045	1	
		Buna / Carbon vs Ceramic / SS - BF-1C1	335-120-0024	1	
		Viton / Carbon vs Ni-Resist / Steel - XF-871	335-00-070-055	1	
		Viton / Carbon vs Ceramic / SS - XP-1C1	335-00-070-050	1	
		PTFE	355-00-070-204	1	
		-	-		
11	Driving Ring	Steel	330-00-050-620	1	
		1/4-20X1/4 Cup Point SS Screw	355-00-271-660	1	
12	Casing Bushing	Bronze	175-02-070-050	1	
		Carbon	2-095-011-880-02	1	
13	Casing	Iron - Buna and Viton Seal Only	190-02-205-310	1	
		Iron - PTFE Seal Only	190-02-285-310	1	
14	Casing and Bushing Ass'y	Iron / Bronze - Buna or Viton Seal Only	185-03-205-330	1	
		Iron / Carbon - Buna or Viton Seal Only	185-03-205-332	1	
		Iron / Bronze - PTFE Seal Only	Consult Factory	1	
		Iron / Carbon - PTFE Seal Only	Consult Factory	1	
15	Pipe Plug	1/8 NPT Hex Head Plug	390-00-050-605	1	
16	Grease Fitting	1/4-28 Staight Grease Fitting	325-00-075-605	1	
17	Rotor and Shaft Ass'y	Iron / Steel	455-03-104-349	1	
		-	-		
18	Idler	Iron	2-418-008-352-40	1	
19	Idler Bushing	Bronze	2-095-013-454-02	1	
		Carbon	2-095-010-880-02	1	
20	Idler and Bushing ass'y	Iron / Bronze	285-03-080-330	1	
		Iron / Carbon	285-03-080-332	1	
21	Head Gasket	Iron	245-00-046-240	2	
22	Idler Pin	Steel - Solid	295-00-050-690	1	
		Steel - Grooved	295-00-040-690	1	
23	Head	Iron - Plain	2-370-001-100-00	1	
		Iron - Relief Valve	265-02-060-310	1	
24	Head and Idler Pin Ass'y	Iron - Plain / Steel - Greasable	270-03-050-350	1	
		Iron - Plain / Steel - Non-Greasable	270-03-055-350	1	
		Iron - Relief Valve / Steel - Greasable	270-03-060-350	1	
		Iron - Relief Valve / Steel - Non-Greasable	270-03-065-350	1	
25	Head Bolts	5/16-18X3/4 Hex Cap Screw GR5	355-00-035-670	5	