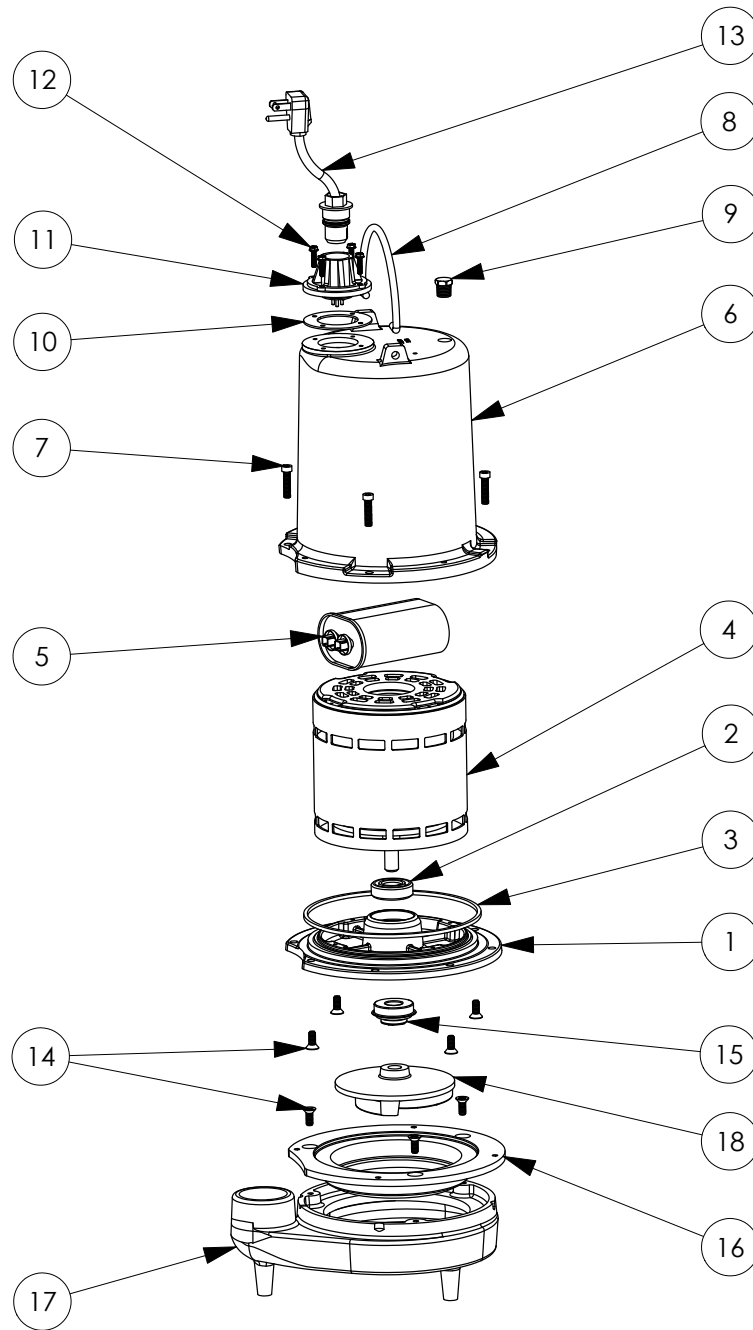


FL62M

FL62M (B10)



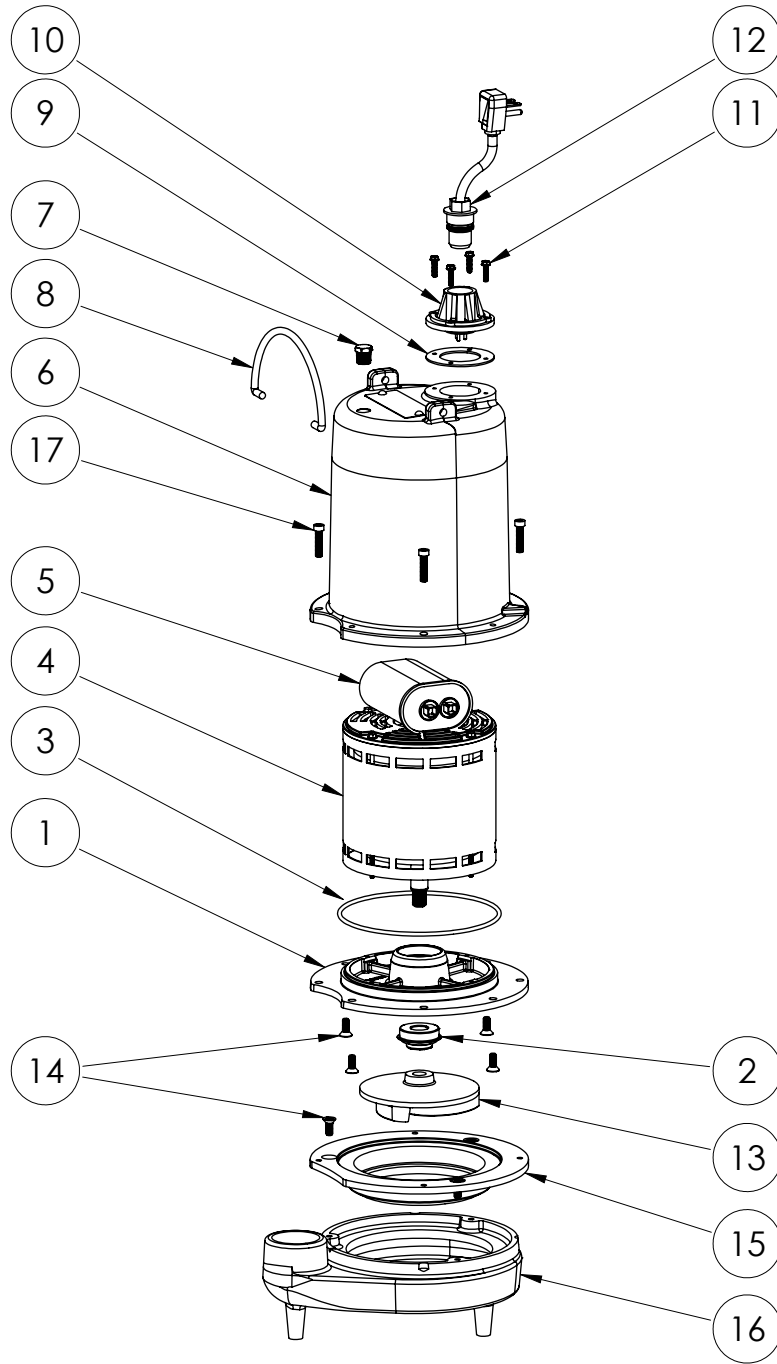
**FL62M****FL62M (B10)**

#	PART #	DESCRIPTION	QTY	Note
1	510100R	MOTOR SUPPORT PLATE	1	
2	5124000	BEARING	1	
3	5107000	MOTOR COVER SEALRING	1	[1]
4	5394000	MOTOR	1	[1]
5	5308000	CAPACITOR	1	
6	527700R	MOTOR COVER	1	
7	8091000	1/4-20 x 1 HEX SOCKET HEAD BOLT	4	
8	K001095	STAINLESS STEEL HANDLE	1	
9	5071000	BRASS OIL PLUG	1	
10	5060000	CORD PLATE GASKET	1	
11	5014000	CORD PLATE	1	
12	8064000	#8-32 x 5/8 HEX WASHER HEAD SCREW#8-32 x 5/8 HEX WASHER HEAD	4	
13	K001058	POWER CORD, 10FT. 230VPOWER CORD, 10' 230V	1	
14	8018000	1/4-20 x 5/8 SLOTTED FLAT HEAD BOLT1/4-20X5/8 SLOTTED FLAT HEAD BOLT	7	
15	5120000	5/8 INCH UNITIZED SHAFT SEAL1/2 INCH UNITIZED SHAFT SEAL	1	[1]
16	530200R	ADAPTER PLATE	1	
17	530100R	VOLUTE HOUSING	1	
18	53030A0	IMPELLER, CAST IRON	1	

**PART NOTES:**

[1] - Part requires factory authorized service. Contact Liberty Pumps at 1-800-543-2550

FL62M (B61)



FL62MB61

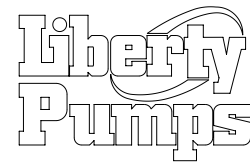
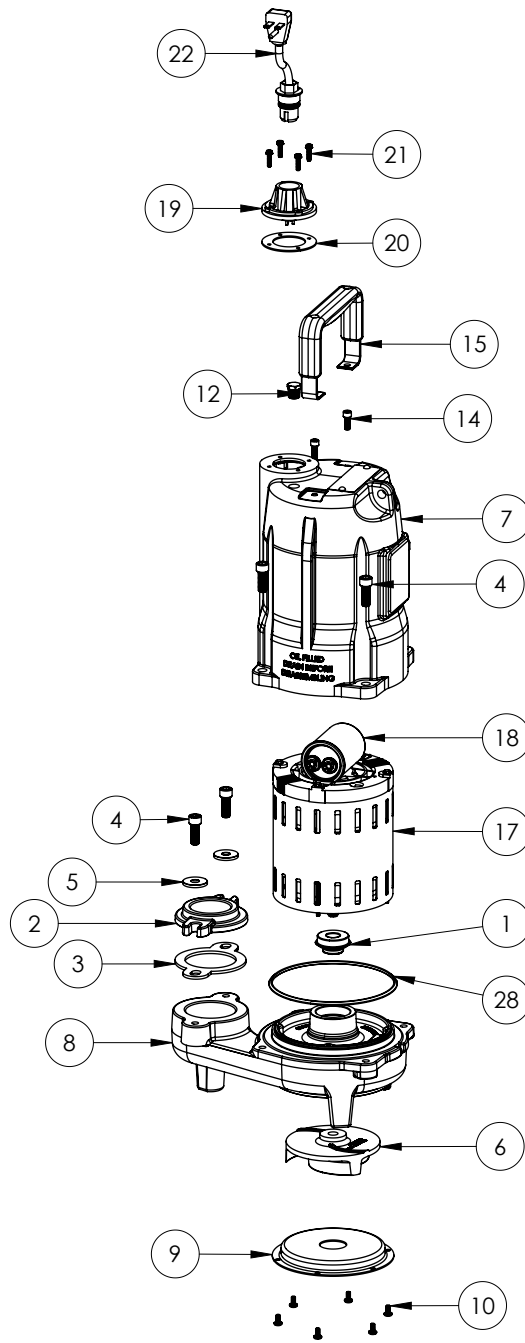
**FL62M****FL62M (B61)**

#	PART #	DESCRIPTION	QTY	Note
1	532600R	MOTOR SUPPORT PLATE	1	
2	5120000	5/8 INCH UNITIZED SHAFT SEAL	1	[1]
3	5617000	O-RING	1	
4	5394000	MOTOR	1	[1]
5	53080	CAPACITOR	1	
6	531400R	MOTOR COVER	1	
7	5071000	BRASS OIL PLUG	1	
8	K001095	STAINLESS STEEL HANDLE	1	
9	5060000	CORD PLATE GASKET	1	
10	5014000	CORD PLATE	1	
11	8064000	#8-32 x 5/8 HEX WASHER HEAD SCREW	4	
12	K001058	POWER CORD, 10FT. 230VPOWER CORD, 230V, 10 FOOT CORD	1	
13	53030A0	IMPELLER, CAST IRON	1	
14	8018000	1/4-20 x 5/8 SLOTTED FLAT HEAD BOLT	7	
15	530200R	ADAPTER PLATE	1	
16	530100R	VOLUTE HOUSING	1	
17	8091000	1/4-20 x 1 HEX SOCKET HEAD BOLT	4	

**PART NOTES:**

[1] - Part requires factory authorized service. Contact Liberty Pumps at 1-800-543-2550

FL62M (B78)



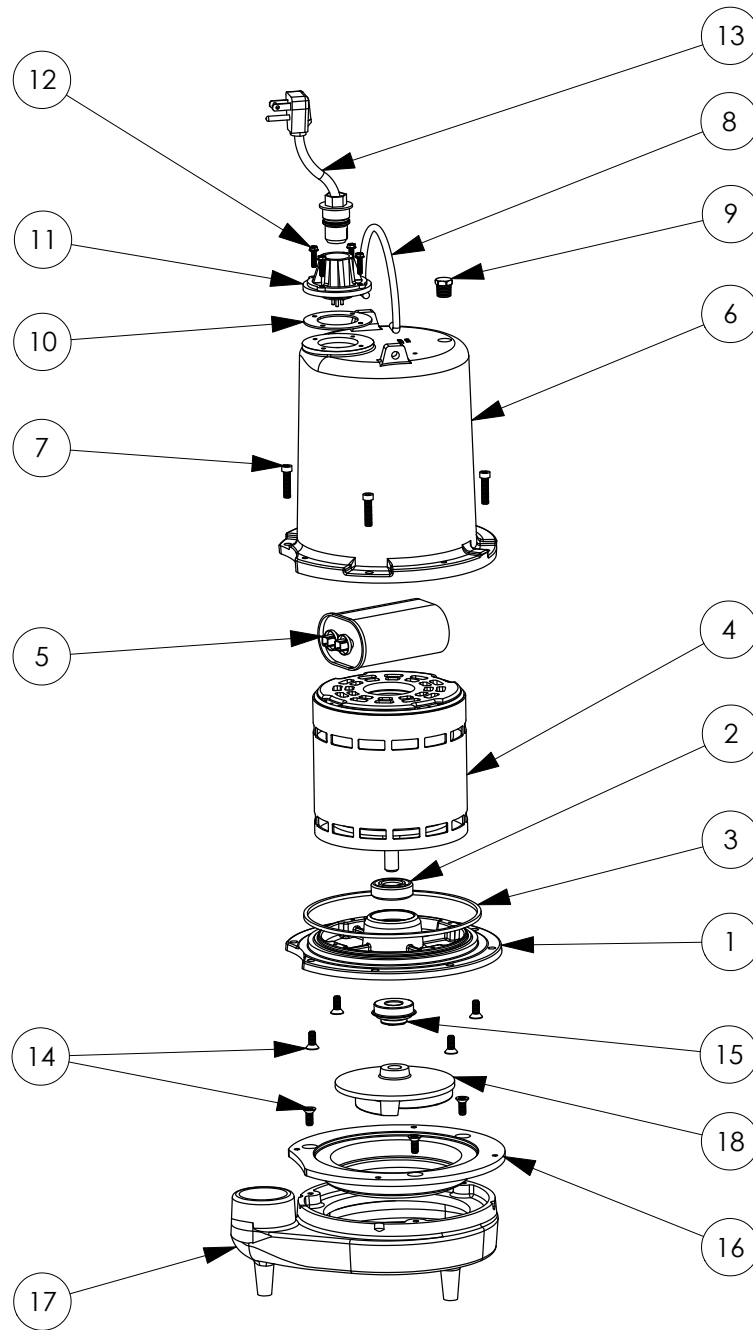
**FL62M****FL62M (B78)**

#	PART #	DESCRIPTION	QTY	Note
1	5120000	5/8 INCH UNITIZED SHAFT SEAL	1	[1]
2	586100R	1.5" ADAPTER FLANGE	1	
3	5858000	1.5" FLANGE GASKET	1	
4	5862000	BOLT, 3/8-16X1 SHCS SS	6	
5	8158000	WASHER, 3/8 x 1-1/8, SS	2	
6	58340C0	IMPELLER	1	
7	340000R	MOTOR HOUSING, POWDER COATED	1	
8	5889000	VOLUTE	1	
9	5891000	INLET STAMPING	1	
10	8092000	#10 - 24 x 3/8" SCREW	6	
12	50710A0	PIPE PLUG, 1/4" HEX HD BRASS NPTF	1	
14	8103000	SCREW 1/4-20x5/8" HX SKT SS	2	
15	3411200	HANDLE	1	
17	5367000	MOTOR 230V 1PH	1	
18	51960B0	CAPACITOR, 30uF	1	
19	5014000	CORD PLATE	1	
20	5060000	CORD PLATE GASKET	1	
21	8064000	#8-32 x 5/8 HEX WASHER HEAD SCREW	4	
22	K001058	POWER CORD, 10FT. 230V	1	
28	3403000	O-RING	1	

**PART NOTES:**

[1] - Part requires factory authorized service. Contact Liberty Pumps at 1-800-543-2550

FL62M-2 (B10)



**FL62M-2****FL62M-2 (B10)**

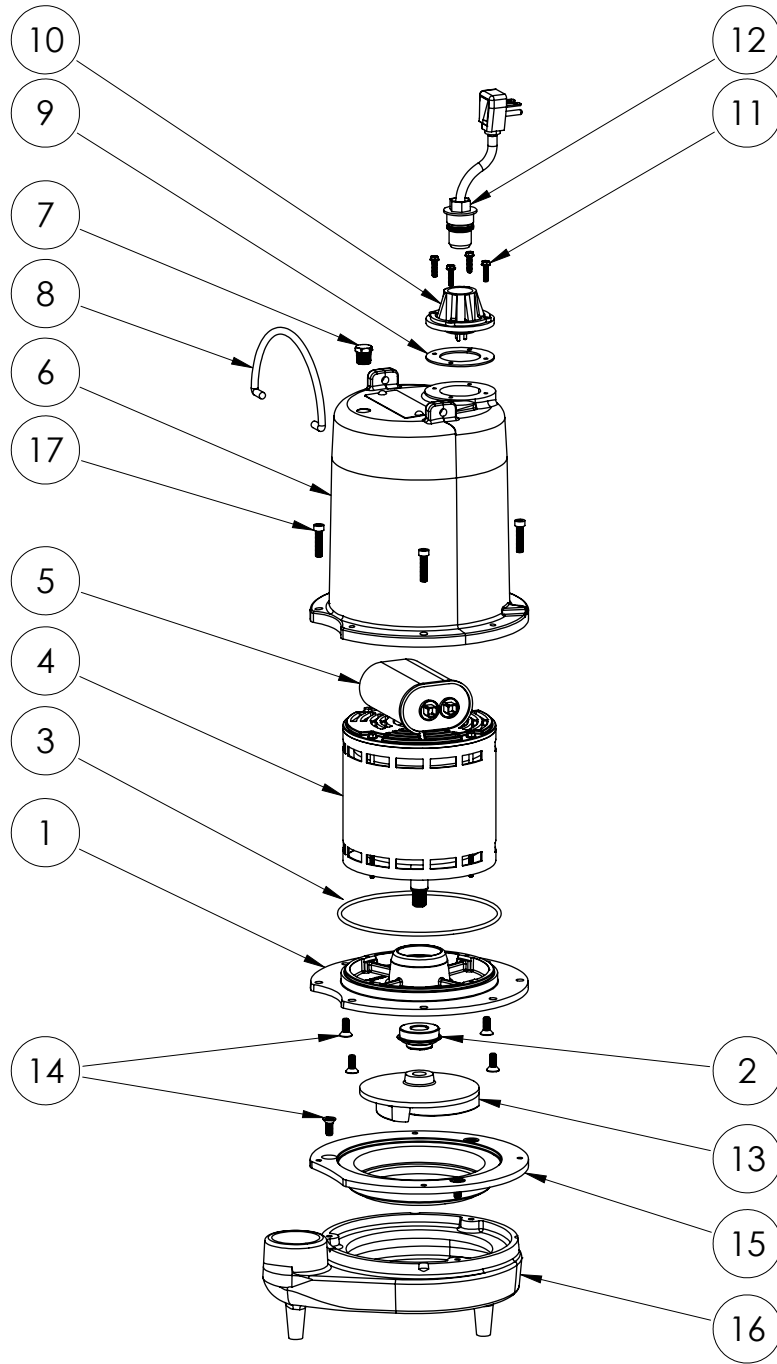
#	PART #	DESCRIPTION	QTY	Note
1	510100R	MOTOR SUPPORT PLATE	1	
2	5124000	BEARING	1	
3	5107000	MOTOR COVER SEALRING	1	[1]
4	5394000	MOTOR	1	[1]
5	5308000	CAPACITOR	1	
6	527700R	MOTOR COVER	1	
7	8091000	1/4-20 x 1 HEX SOCKET HEAD BOLT	4	
8	K001095	STAINLESS STEEL HANDLE	1	
9	5071000	BRASS OIL PLUG	1	
10	5060000	CORD PLATE GASKET	1	
11	5014000	CORD PLATE	1	
12	8064000	#8-32 x 5/8 HEX WASHER HEAD SCREW#8-32 x 5/8 HEX WASHER HEAD	4	
13	K001059	POWER CORD, 230V, 25 FOOT CORDPOWER CORD, 25' 230V	1	
14	8018000	1/4-20 x 5/8 SLOTTED FLAT HEAD BOLT1/4-20X5/8 SLOTTED FLAT HEAD BOLT	7	
15	5120000	5/8 INCH UNITIZED SHAFT SEAL1/2 INCH UNITIZED SHAFT SEAL	1	[1]
16	530200R	ADAPTER PLATE	1	
17	530100R	VOLUTE HOUSING	1	
18	53030A0	IMPELLER, CAST IRON	1	

**PART NOTES:**

[1] - Part requires factory authorized service. Contact Liberty Pumps at 1-800-543-2550



FL62M-2 (B61)



FL62M-2B61

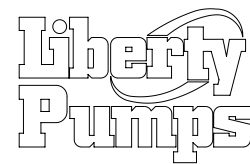
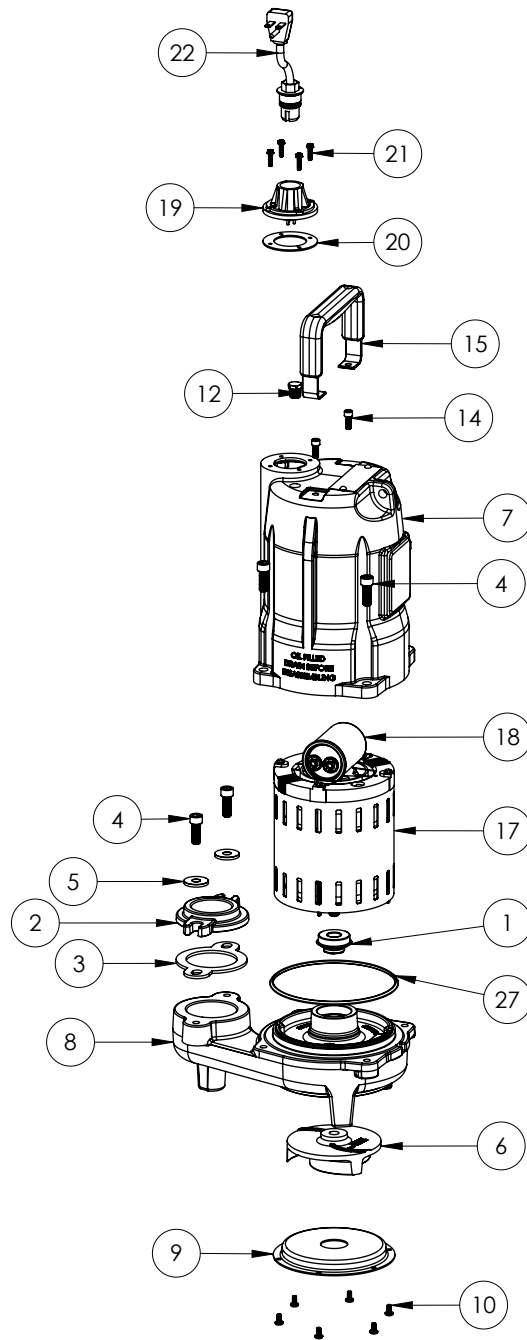
**FL62M-2****FL62M-2 (B61)**

#	PART #	DESCRIPTION	QTY	Note
1	532600R	MOTOR SUPPORT PLATE	1	
2	5120000	5/8 INCH UNITIZED SHAFT SEAL	1	[1]
3	5617000	O-RING	1	
4	5394000	MOTOR	1	[1]
5	53080	CAPACITOR	1	
6	531400R	MOTOR COVER	1	
7	5071000	BRASS OIL PLUG	1	
8	K001095	STAINLESS STEEL HANDLE	1	
9	5060000	CORD PLATE GASKET	1	
10	5014000	CORD PLATE	1	
11	8064000	#8-32 x 5/8 HEX WASHER HEAD SCREW	4	
12	K001059	POWER CORD, 230V, 25 FOOT CORD	1	
13	53030A0	IMPELLER, CAST IRON	1	
14	8018000	1/4-20 x 5/8 SLOTTED FLAT HEAD BOLT	7	
15	530200R	ADAPTER PLATE	1	
16	530100R	VOLUTE HOUSING	1	
17	8091000	1/4-20 x 1 HEX SOCKET HEAD BOLT	4	

**PART NOTES:**

[1] - Part requires factory authorized service. Contact Liberty Pumps at 1-800-543-2550

FL62M-2 (B78)



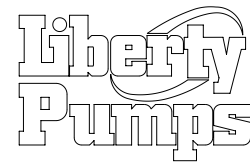
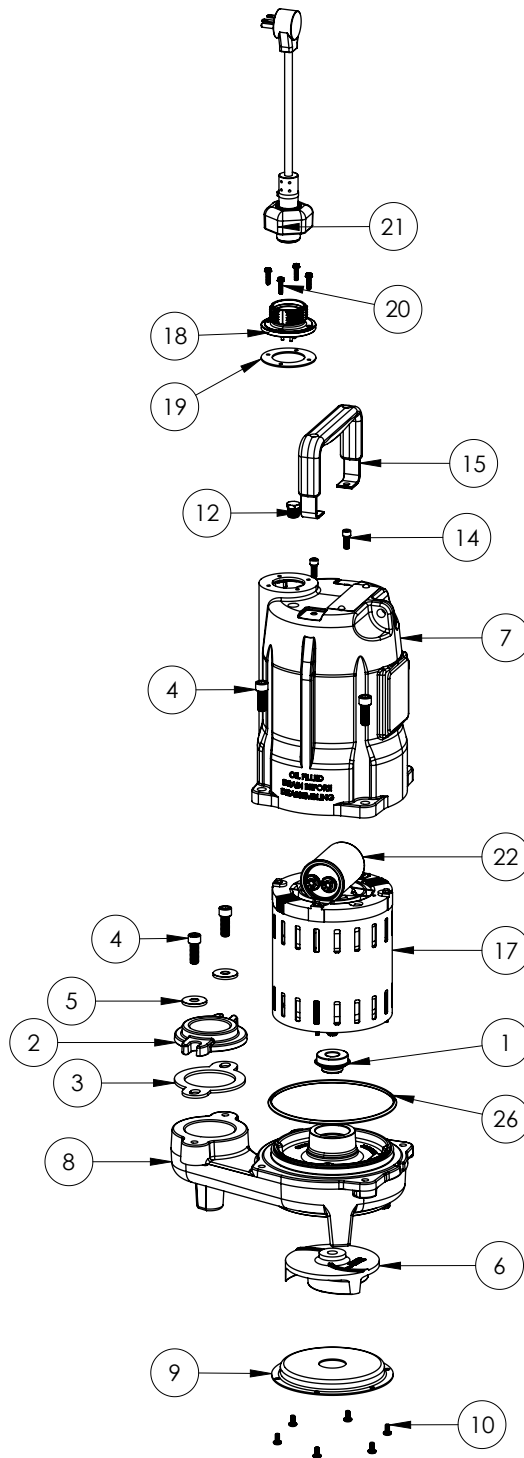
**FL62M-2****FL62M-2 (B78)**

#	PART #	DESCRIPTION	QTY	Note
1	5120000	5/8 INCH UNITIZED SHAFT SEAL	1	[1]
2	586100R	1.5" ADAPTER FLANGE	1	
3	5858000	1.5" FLANGE GASKET	1	
4	5862000	BOLT, 3/8-16X1 SHCS SS	6	
5	8158000	WASHER, 3/8 x 1-1/8, SS	2	
6	58340C0	IMPELLER	1	
7	340000R	MOTOR HOUSING, POWDER COATED	1	
8	5889000	VOLUTE	1	
9	5891000	INLET STAMPING	1	
10	8092000	#10 - 24 x 3/8" SCREW	6	
12	50710A0	PIPE PLUG, 1/4" HEX HD BRASS NPTF	1	
14	8103000	SCREW 1/4-20x5/8" HX SKT SS	2	
15	3411200	HANDLE	1	
17	5367000	MOTOR 230V 1PH	1	
18	51960B0	CAPACITOR, 30uF	1	
19	5014000	CORD PLATE	1	
20	5060000	CORD PLATE GASKET	1	
21	8064000	#8-32 x 5/8 HEX WASHER HEAD SCREW	4	
22	K001059	POWER CORD, 230V, 25 FOOT CORDPOWER CORD, 25FT. 230V	1	
27	3403000	O-RING	1	

**PART NOTES:**

[1] - Part requires factory authorized service. Contact Liberty Pumps at 1-800-543-2550

FL62M-3 (B78)



**FL62M-3****FL62M-3 (B78)**

#	PART #	DESCRIPTION	QTY	Note
1	5120000	5/8 INCH UNITIZED SHAFT SEAL	1	[1]
2	586100R	1.5" ADAPTER FLANGE	1	
3	5858000	1.5" FLANGE GASKET	1	
4	5862000	BOLT, 3/8-16X1 SHCS SS	6	
5	8158000	WASHER, 3/8 x 1-1/8, SS	2	
6	58340C0	IMPELLER	1	
7	340000R	MOTOR HOUSING, POWDER COATED	1	
8	5889000	VOLUTE	1	
9	5891000	INLET STAMPING	1	
10	8092000	#10 - 24 x 3/8" SCREW	6	
12	50710A0	PIPE PLUG, 1/4" HEX HD BRASS NPTF	1	
14	8103000	SCREW 1/4-20x5/8" HX SKT SS	2	
15	3411200	HANDLE	1	
17	5367000	MOTOR 230V 1PH	1	
22	51960B0	CAPACITOR, 30uF	1	
19	5014000	CORD PLATE	1	
19	5060000	CORD PLATE GASKET	1	
20	8064000	#8-32 x 5/8 HEX WASHER HEAD SCREW	4	
21	K001356	POWER CORD, 35FT.POWER CORD, 35FT. 230V	1	
26	3403000	O-RING	1	

**PART NOTES:**

[1] - Part requires factory authorized service. Contact Liberty Pumps at 1-800-543-2550