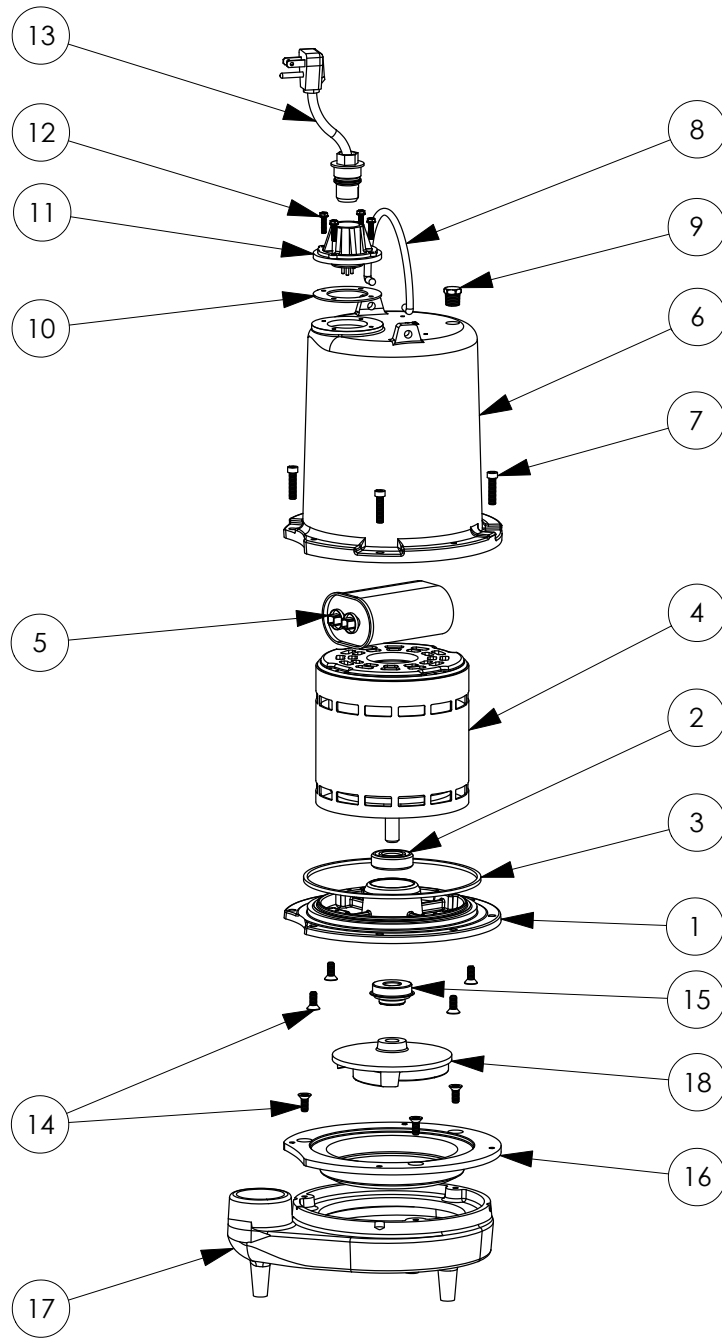


FL61M (B10)



FL61M**FL61M (B10)**

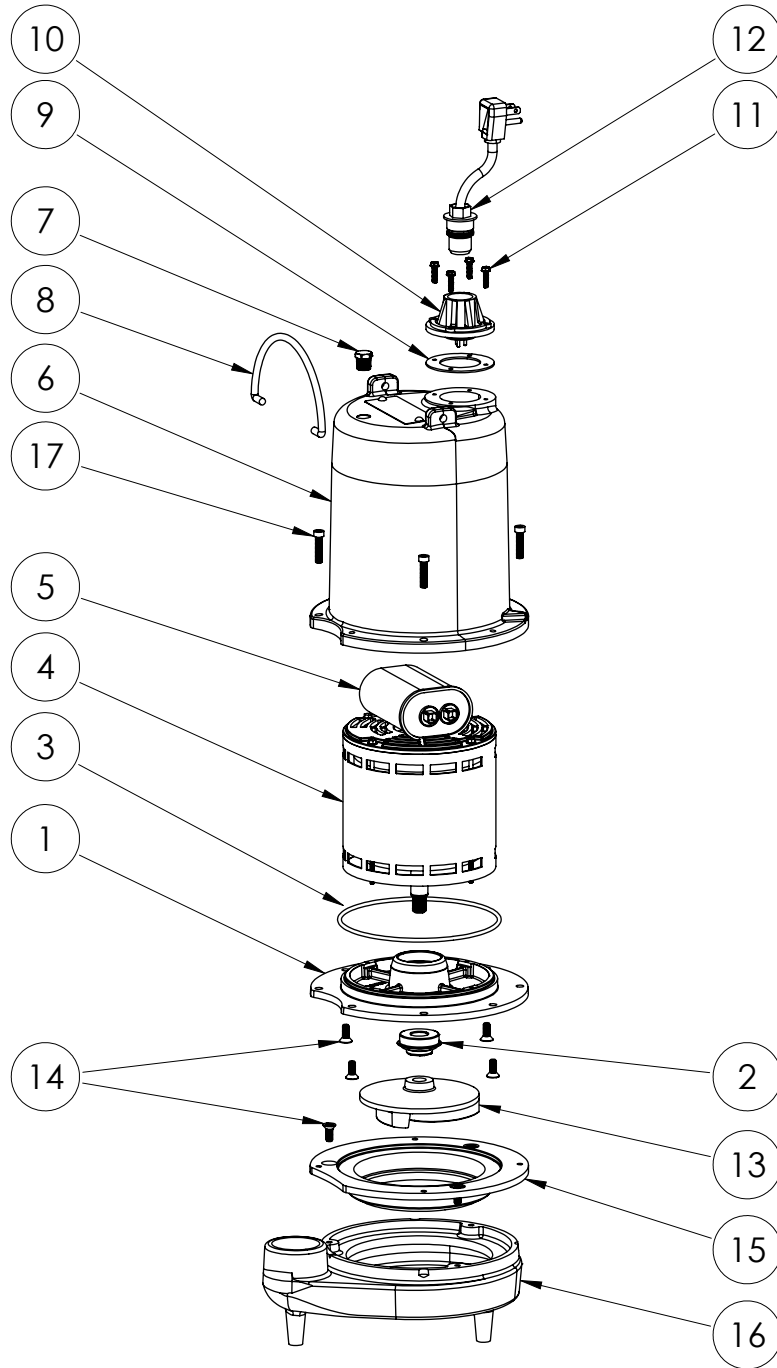
#	PART #	DESCRIPTION	QTY	Note
1	510100R	MOTOR SUPPORT PLATE	1	
2	5124000	BEARING	1	
3	5107000	MOTOR COVER SEALRING	1	[1]
4	5394000	MOTOR	1	[1]
5	5308000	CAPACITOR	1	
6	527700R	MOTOR COVER	1	
7	8091000	1/4-20 x 1 HEX SOCKET HEAD BOLT	4	
8	K001095	STAINLESS STEEL HANDLE	1	
9	5071000	BRASS OIL PLUG	1	
10	5060000	CORD PLATE GASKET	1	
11	5014000	CORD PLATE	1	
12	8064000	#8-32 x 5/8 HEX WASHER HEAD SCREW	4	
13	K001010	POWER CORD, 115V, 10 FOOT CORD	1	
14	8018000	1/4-20 x 5/8 SLOTTED FLAT HEAD BOLT	7	
15	5120000	5/8 INCH UNITIZED SHAFT SEAL	1	[1]
16	530200R	ADAPTER PLATE	1	
17	530100R	VOLUTE HOUSING	1	
18	53030A0	IMPELLER, CAST IRON	1	

PART NOTES:

[1] - Part requires factory authorized service. Contact Liberty Pumps at 1-800-543-2550

FL61M

FL61M (B61)



FL61MB61

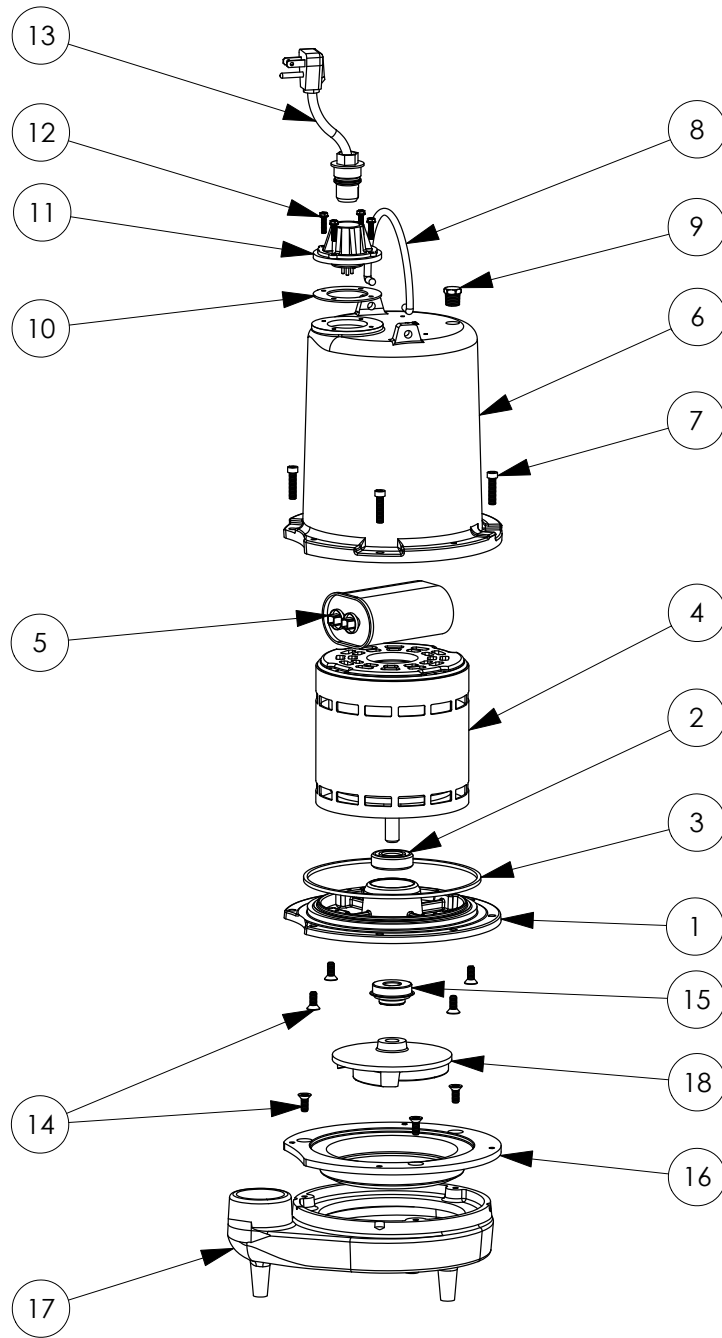
FL61M**FL61M (B61)**

#	PART #	DESCRIPTION	QTY	Note
1	532600R	MOTOR SUPPORT PLATE	1	
2	5120000	5/8 INCH UNITIZED SHAFT SEAL	1	[1]
3	5617000	O-RING	1	
4	5394000	MOTOR	1	[1]
5	53080E0	CAPACITOR	1	[1]
6	531400R	MOTOR COVER	1	
7	50710A0	PIPE PLUG, 1/4" HEX HD BRASS NPTF	1	
8	K001095	STAINLESS STEEL HANDLE	1	
9	5060000	CORD PLATE GASKET	1	
10	5014000	CORD PLATE	1	
11	8064000	#8-32 x 5/8 HEX WASHER HEAD SCREW	4	
12	K001010	POWER CORD, 115V, 10 FOOT CORD	1	
13	53030A0	IMPELLER, CAST IRON	1	
14	8018000	1/4-20 x 5/8 SLOTTED FLAT HEAD BOLT	7	
15	530200R	ADAPTER PLATE	1	
16	530100R	VOLUTE HOUSING	1	
17	8091000	1/4-20 x 1 HEX SOCKET HEAD BOLT	4	

PART NOTES:

[1] - Part requires factory authorized service. Contact Liberty Pumps at 1-800-543-2550

FL61M-2 (B10)



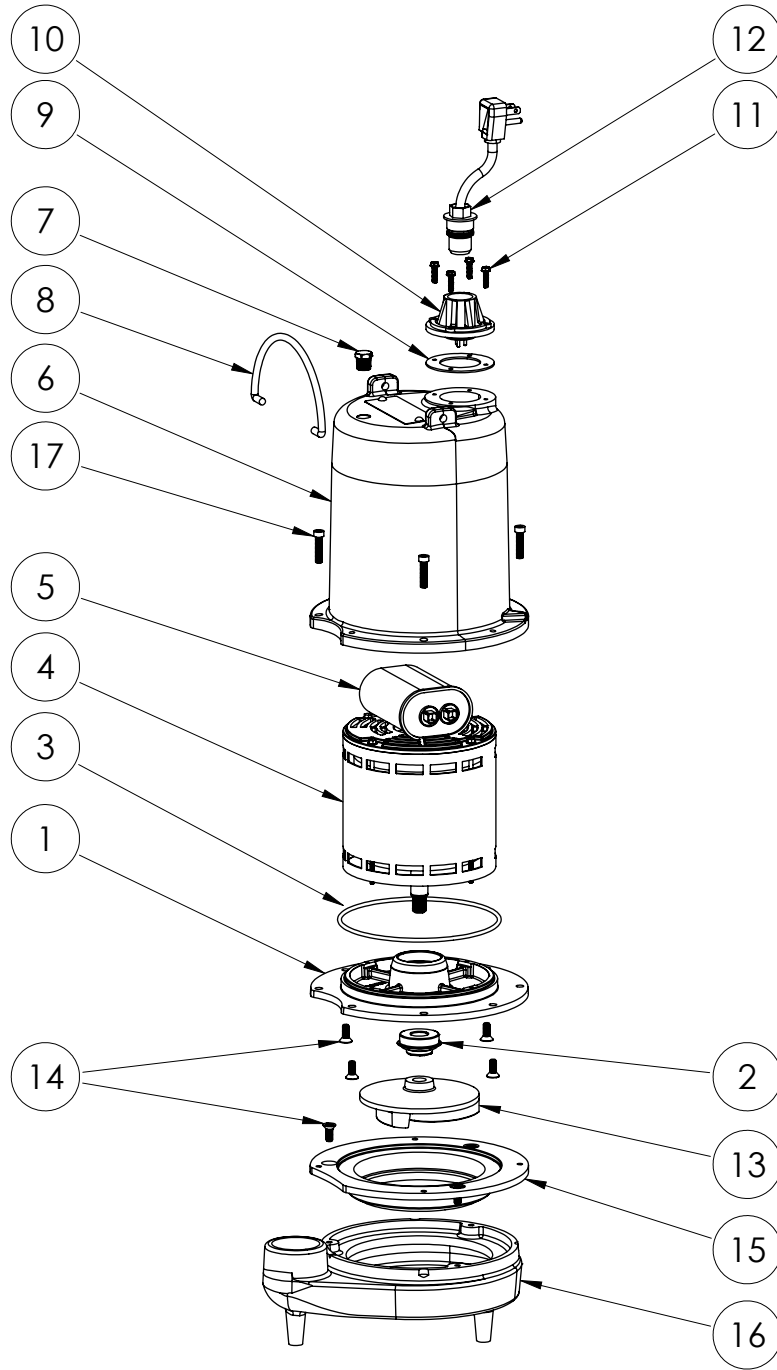
FL61M-2**FL61M-2 (B10)**

#	PART #	DESCRIPTION	QTY	Note
1	510100R	MOTOR SUPPORT PLATE	1	
2	5124000	BEARING	1	
3	5107000	MOTOR COVER SEALRING	1	[1]
4	5394000	MOTOR	1	[1]
5	5308000	CAPACITOR	1	
6	527700R	MOTOR COVER	1	
7	8091000	1/4-20 x 1 HEX SOCKET HEAD BOLT	4	
8	K001095	STAINLESS STEEL HANDLE	1	
9	5071000	BRASS OIL PLUG	1	
10	5060000	CORD PLATE GASKET	1	
11	5014000	CORD PLATE	1	
12	8064000	#8-32 x 5/8 HEX WASHER HEAD SCREW	4	
13	K001008	POWER CORD, 115V, 25 FOOT CORD	1	
14	8018000	1/4-20 x 5/8 SLOTTED FLAT HEAD BOLT	7	
15	5120000	5/8 INCH UNITIZED SHAFT SEAL	1	[1]
16	530200R	ADAPTER PLATE	1	
17	530100R	VOLUTE HOUSING	1	
18	53030A0	IMPELLER, CAST IRON	1	

PART NOTES:

[1] - Part requires factory authorized service. Contact Liberty Pumps at 1-800-543-2550

FL61M-2 (B61)



FL61M-2B61

FL61M-2**FL61M-2 (B61)**

#	PART #	DESCRIPTION	QTY	Note
1	532600R	MOTOR SUPPORT PLATE	1	
2	5120000	5/8 INCH UNITIZED SHAFT SEAL	1	[1]
3	5617000	O-RING	1	
4	5394000	MOTOR	1	[1]
5	53080E0	CAPACITOR	1	[1]
6	531400R	MOTOR COVER	1	
7	50710A0	PIPE PLUG, 1/4" HEX HD BRASS NPTF	1	
8	K001095	STAINLESS STEEL HANDLE	1	
9	5060000	CORD PLATE GASKET	1	
10	5014000	CORD PLATE	1	
11	8064000	#8-32 x 5/8 HEX WASHER HEAD SCREW	4	
12	K001008	POWER CORD, 115V, 25 FOOT CORD	1	
13	53030A0	IMPELLER, CAST IRON	1	
14	8018000	1/4-20 x 5/8 SLOTTED FLAT HEAD BOLT	7	
15	530200R	ADAPTER PLATE	1	
16	530100R	VOLUTE HOUSING	1	
17	8091000	1/4-20 x 1 HEX SOCKET HEAD BOLT	4	

PART NOTES:

[1] - Part requires factory authorized service. Contact Liberty Pumps at 1-800-543-2550