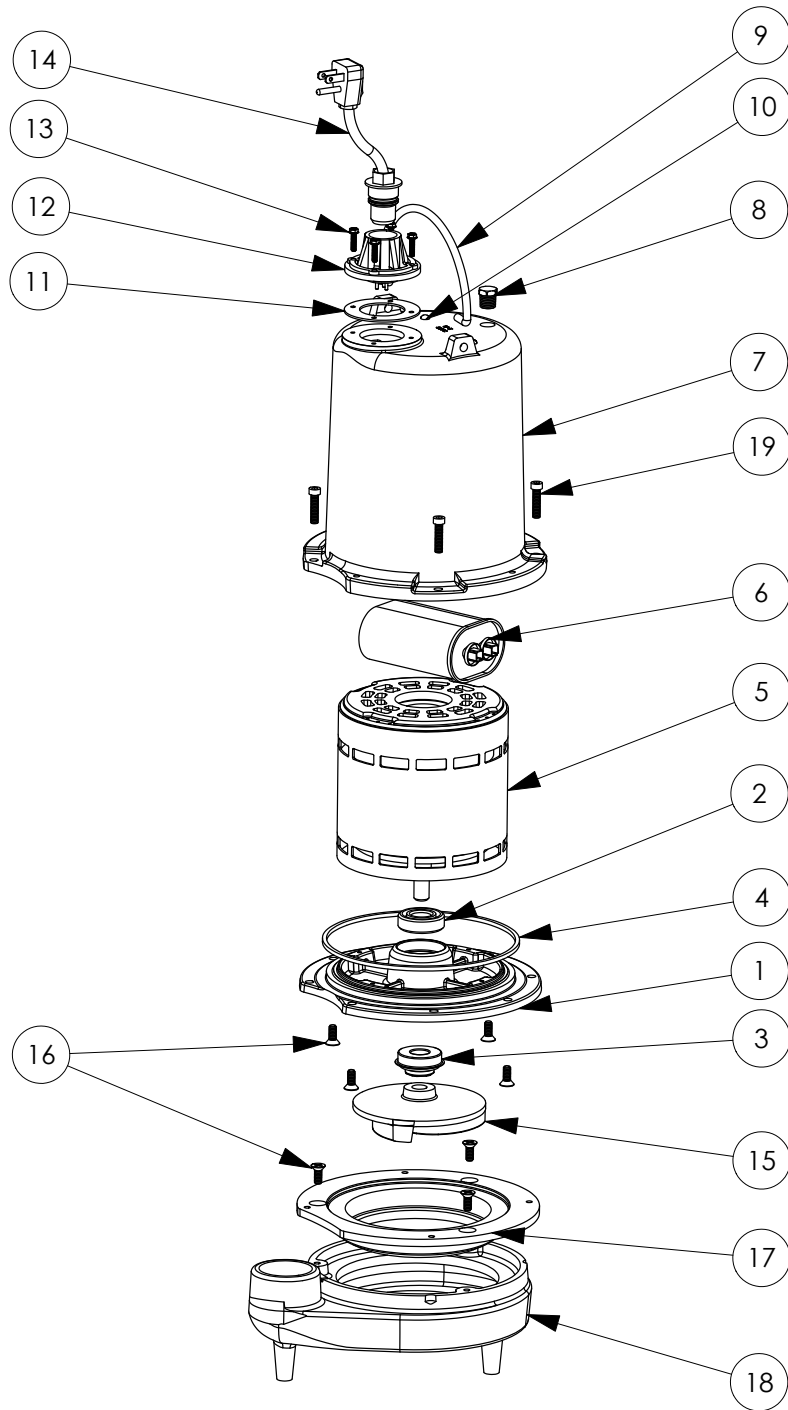


FL51M

FL51M (B10)



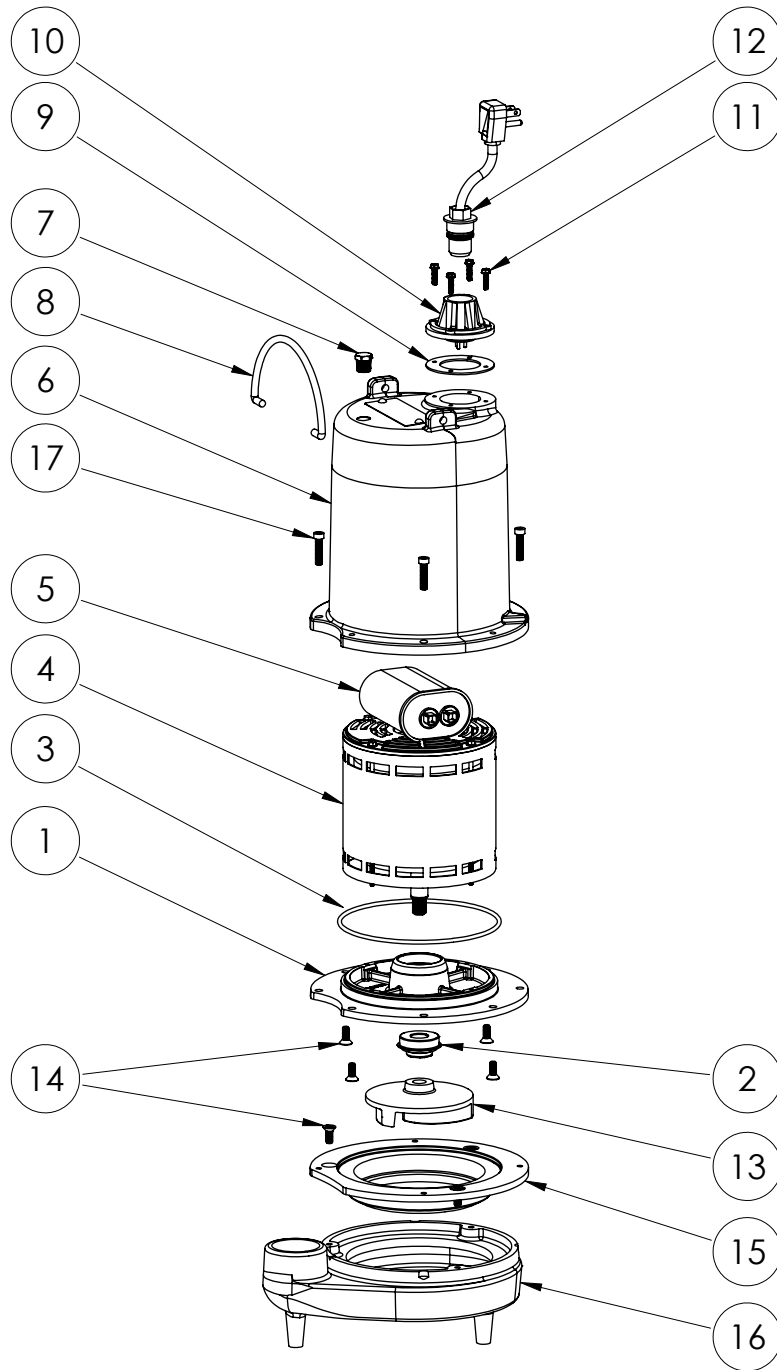
FL51M**FL51M (B10)**

#	PART #	DESCRIPTION	QTY	Note
1	510100R	MOTOR SUPPORT PLATE	1	
2	5124000	BEARING	1	
3	5120000	5/8 INCH UNITIZED SHAFT SEAL	1	[1]
4	5107000	MOTOR COVER SEALRING	1	[1]
5	5394000	MOTOR	1	[1]
6	5308000	CAPACITOR	1	
7	527700R	MOTOR COVER	1	
8	5071000	BRASS OIL PLUG	1	
9	K001095	STAINLESS STEEL HANDLE	1	
10	8033000	#8 x 1/4 STAINLESS STEEL SCREW	2	
11	5060000	CORD PLATE GASKET	1	
12	5014000	CORD PLATE	1	
13	8064000	#8-32 x 5/8 HEX WASHER HEAD SCREW	4	
14	K001010	POWER CORD, 115V, 10 FOOT CORD	1	
15	53030B0	IMPELLER, CAST IRON	1	
16	8018000	1/4-20 x 5/8 SLOTTED FLAT HEAD BOLT	7	
17	530200R	ADAPTER PLATE	1	
18	530100R	VOLUTE HOUSING	1	
19	8091000	1/4-20 x 1 HEX SOCKET HEAD BOLT	4	

PART NOTES:

[1] - Part requires factory authorized service. Contact Liberty Pumps at 1-800-543-2550

FL51M (B61)



FL51MB61

FL51M**FL51M (B61)**

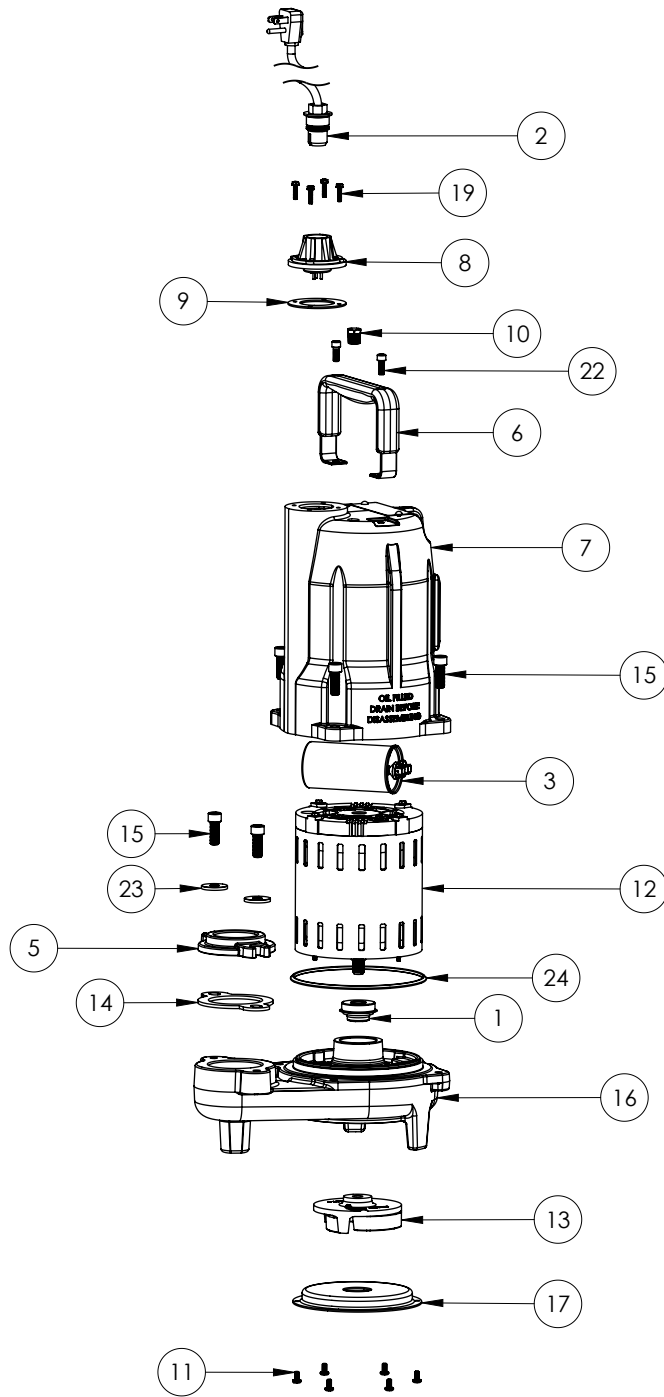
#	PART #	DESCRIPTION	QTY	Note
1	532600R	MOTOR SUPPORT PLATE	1	
2	5120000	5/8 INCH UNITIZED SHAFT SEAL	1	[1]
3	5617000	O-RING	1	
4	5394000	MOTOR	1	[1]
5	53080E0	CAPACITOR	1	[1]
6	531400R	MOTOR COVER	1	
7	5071000	BRASS OIL PLUG	1	
8	K001095	STAINLESS STEEL HANDLE	1	
9	5060000	CORD PLATE GASKET	1	
10	5014000	CORD PLATE	1	
11	8064000	#8-32 x 5/8 HEX WASHER HEAD SCREW	4	
12	K001010	POWER CORD, 115V, 10 FOOT CORD	1	
13	53030B0	IMPELLER, CAST IRON	1	
14	8018000	1/4-20 x 5/8 SLOTTED FLAT HEAD BOLT	7	
15	530200R	ADAPTER PLATE	1	
16	530100R	VOLUTE HOUSING	1	
17	8091000	1/4-20 x 1 HEX SOCKET HEAD BOLT	4	

PART NOTES:

[1] - Part requires factory authorized service. Contact Liberty Pumps at 1-800-543-2550

FL51M

FL51M (B78)



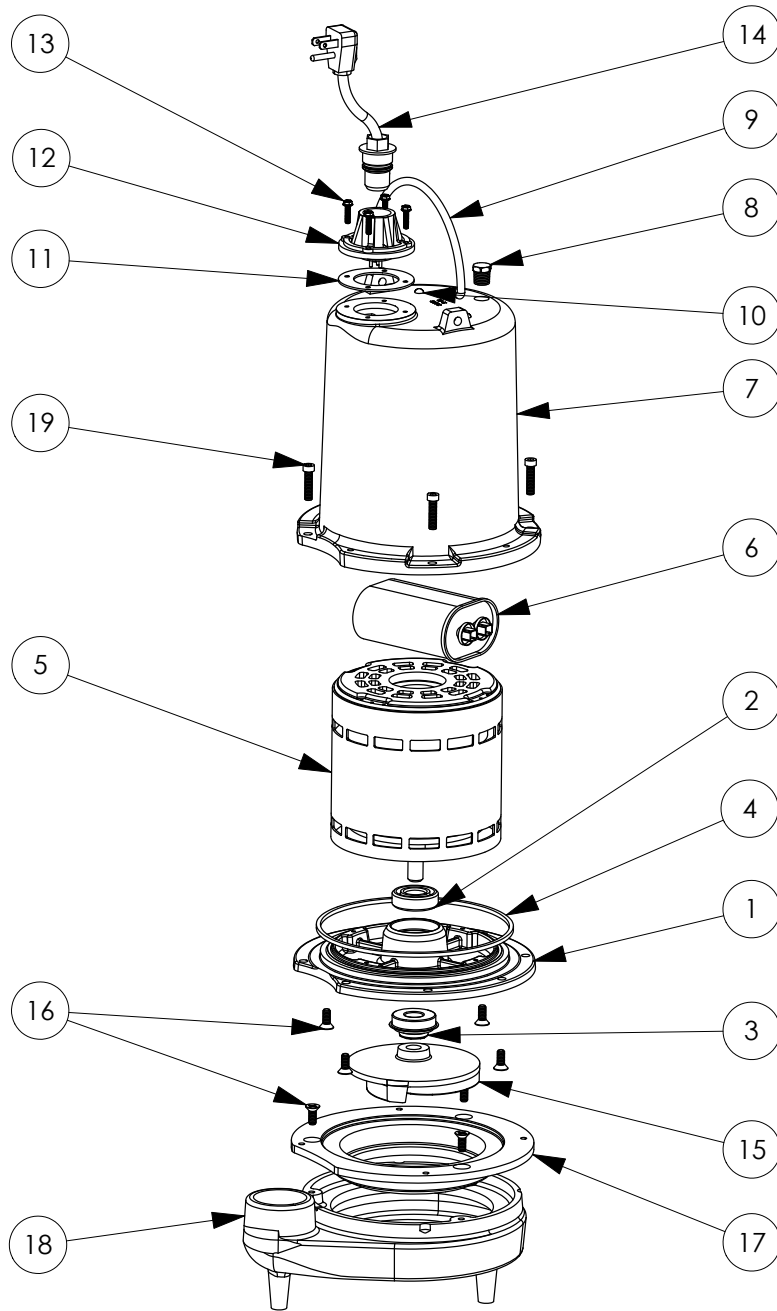
FL51M**FL51M (B78)**

#	PART #	DESCRIPTION	QTY	Note
1	5120000	5/8 INCH UNITIZED SHAFT SEAL	1	[1]
2	K001010	POWER CORD, 115V, 10 FOOT CORD	1	
3	5019000	CAPACITOR 45uF 370VAC	1	
5	586100R	1.5" ADAPTER FLANGE	1	
6	3411200	HANDLE	1	
7	340000R	MOTOR HOUSING, POWDER COATED	1	
8	5014000	CORD PLATE	1	
9	5060000	CORD PLATE GASKET	1	
10	50710A0	PIPE PLUG, 1/4" HEX HD BRASS NPTF	1	
11	8092000	#10 - 24 x 3/8" SCREW	6	
12	5366000	MOTOR 115V 1PH	1	
13	5833000	IMPELLER	1	
14	5858000	1.5" FLANGE GASKET	1	
15	5862000	BOLT, 3/8-16X1 SHCS SS	6	
16	5889000	VOLUTE	1	
17	5891000	INLET STAMPING	1	
19	8064000	#8-32 x 5/8 HEX WASHER HEAD SCREW	4	
22	8103000	SCREW 1/4-20x5/8" HX SKT SS	2	
23	8158000	WASHER, 3/8 x 1-1/8, SS	2	
24	3403000	O-RING	1	

PART NOTES:

[1] - Part requires factory authorized service. Contact Liberty Pumps at 1-800-543-2550

FL51M-2 (B10)



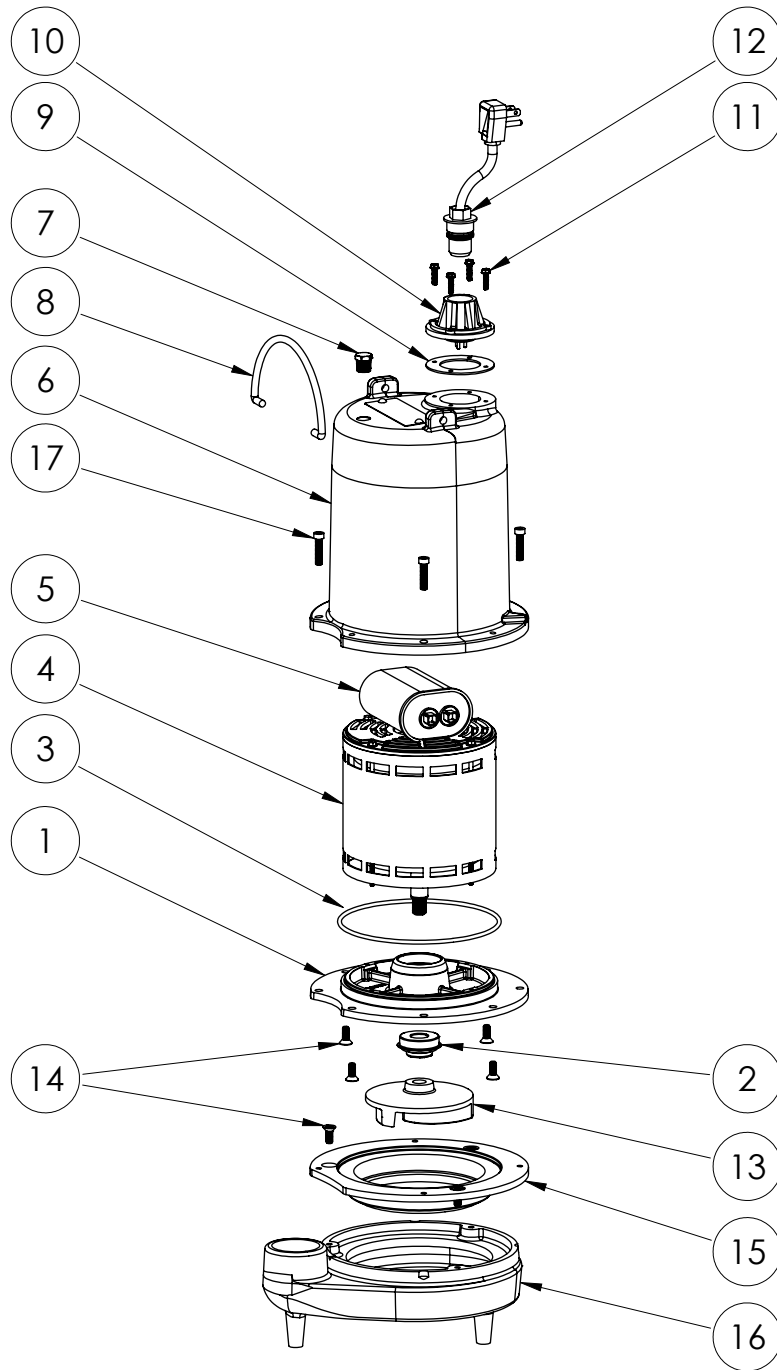
FL51M-2**FL51M-2 (B10)**

#	PART #	DESCRIPTION	QTY	Note
1	510100R	MOTOR SUPPORT PLATE	1	
2	5124000	BEARING	1	
3	5120000	5/8 INCH UNITIZED SHAFT SEAL	1	[1]
4	5107000	MOTOR COVER SEALRING	1	[1]
5	5394000	MOTOR	1	[1]
6	5308000	CAPACITOR	1	
7	527700R	MOTOR COVER	1	
8	5071000	BRASS OIL PLUG	1	
9	K001095	STAINLESS STEEL HANDLE	1	
10	8033000	#8 x 1/4 STAINLESS STEEL SCREW	2	
11	5060000	CORD PLATE GASKET	1	
12	5014000	CORD PLATE	1	
13	8064000	#8-32 x 5/8 HEX WASHER HEAD SCREW	4	
14	K001008	POWER CORD, 115V, 25 FOOT CORD	1	
15	53030B0	IMPELLER, CAST IRON	1	
16	8018000	1/4-20 x 5/8 SLOTTED FLAT HEAD BOLT	7	
17	530200R	ADAPTER PLATE	1	
18	530100R	VOLUTE HOUSING	1	
19	8091000	1/4-20 x 1 HEX SOCKET HEAD BOLT	4	

PART NOTES:

[1] - Part requires factory authorized service. Contact Liberty Pumps at 1-800-543-2550

FL51M-2 (B61)



FL51M-2B61

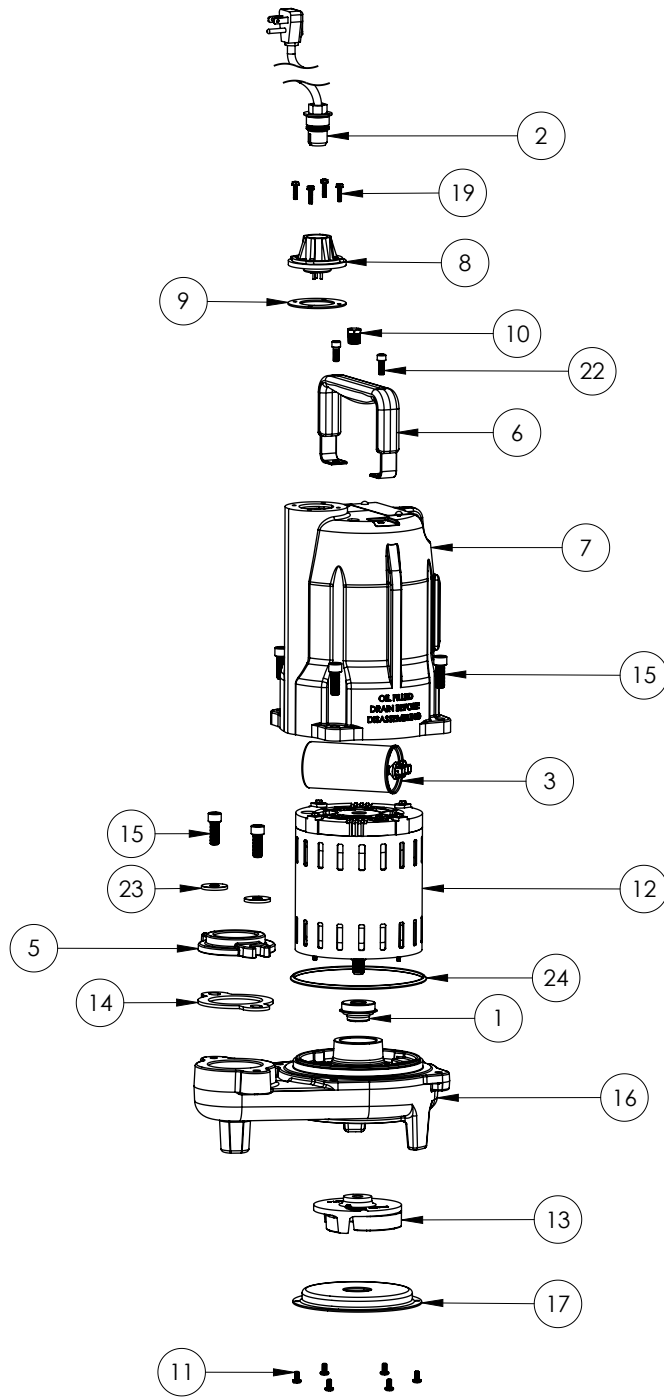
FL51M-2**FL51M-2 (B61)**

#	PART #	DESCRIPTION	QTY	Note
1	532600R	MOTOR SUPPORT PLATE	1	
2	5120000	5/8 INCH UNITIZED SHAFT SEAL	1	[1]
3	5617000	O-RING	1	
4	5394000	MOTOR	1	[1]
5	53080E0	CAPACITOR	1	[1]
6	531400R	MOTOR COVER	1	
7	5071000	BRASS OIL PLUG	1	
8	K001095	STAINLESS STEEL HANDLE	1	
9	5060000	CORD PLATE GASKET	1	
10	5014000	CORD PLATE	1	
11	8064000	#8-32 x 5/8 HEX WASHER HEAD SCREW	4	
12	K001008	POWER CORD, 115V, 25 FOOT CORD	1	
13	53030B0	IMPELLER, CAST IRON	1	
14	8018000	1/4-20 x 5/8 SLOTTED FLAT HEAD BOLT	7	
15	530200R	ADAPTER PLATE	1	
16	530100R	VOLUTE HOUSING	1	
17	8091000	1/4-20 x 1 HEX SOCKET HEAD BOLT	4	

PART NOTES:

[1] - Part requires factory authorized service. Contact Liberty Pumps at 1-800-543-2550

FL51M-2 (B78)



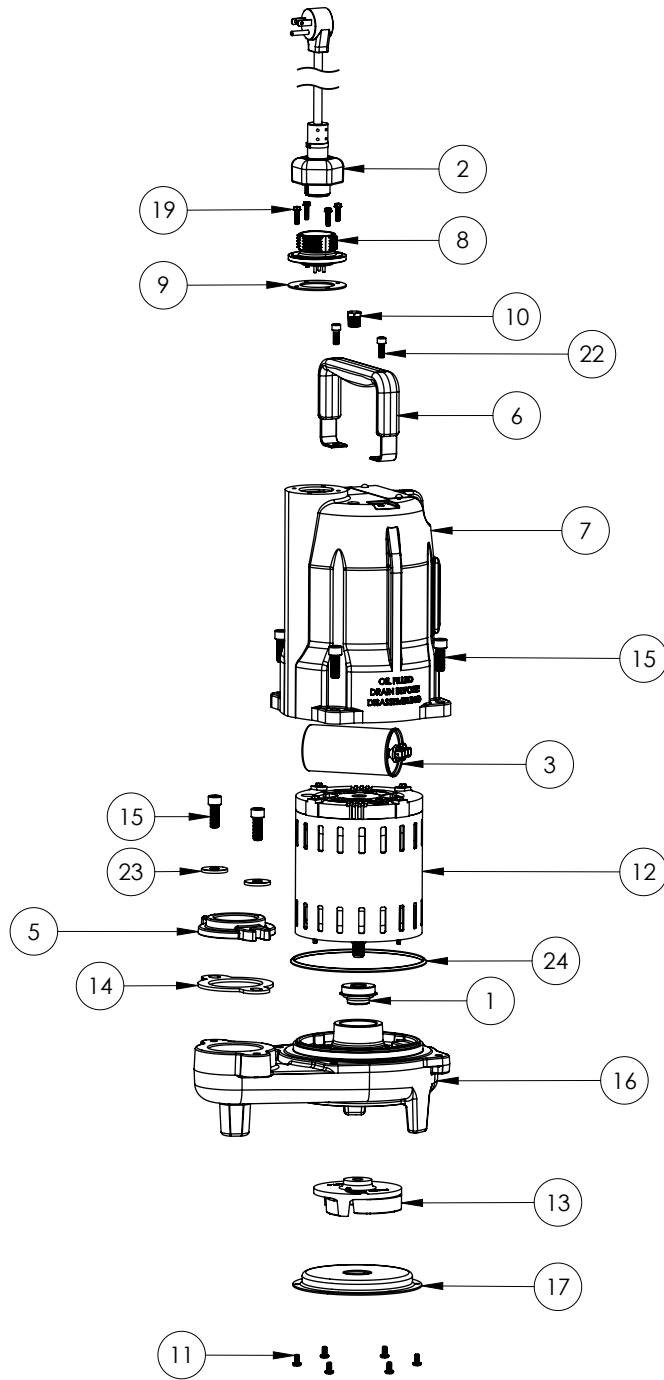
FL51M-2**FL51M-2 (B78)**

#	PART #	DESCRIPTION	QTY	Note
1	5120000	5/8 INCH UNITIZED SHAFT SEAL	1	[1]
2	K001008	POWER CORD, 115V, 25 FOOT CORD	1	
3	5019000	CAPACITOR 45uF 370VAC	1	
5	586100R	1.5" ADAPTER FLANGE	1	
6	3411200	HANDLE	1	
7	340000R	MOTOR HOUSING, POWDER COATED	1	
8	5014000	CORD PLATE	1	
9	5060000	CORD PLATE GASKET	1	
10	5071000	BRASS OIL PLUG	1	
11	8092000	#10 - 24 x 3/8" SCREW	6	
12	5366000	MOTOR 115V 1PH	1	
13	5833000	IMPELLER	1	
14	5858000	1.5" FLANGE GASKET	1	
15	5862000	BOLT, 3/8-16X1 SHCS SS	6	
16	5889000	VOLUTE	1	
17	5891000	INLET STAMPING	1	
19	8064000	#8-32 x 5/8 HEX WASHER HEAD SCREW	4	
22	8103000	SCREW 1/4-20x5/8" HX SKT SS	2	
23	8158000	WASHER, 3/8 x 1-1/8, SS	2	
24	3403000	O-RING	1	

PART NOTES:

[1] - Part requires factory authorized service. Contact Liberty Pumps at 1-800-543-2550

FL51M-3 (B78)



FL51M-3**FL51M-3 (B78)**

#	PART #	DESCRIPTION	QTY	Note
1	5120000	5/8 INCH UNITIZED SHAFT SEAL	1	[1]
2	K001432	POWER CORD 58900C0, 115V, 35 FT.	1	
3	5019000	CAPACITOR 45uF 370VAC	1	
5	586100R	1.5" ADAPTER FLANGE	1	
6	3411200	HANDLE	1	
7	340000R	MOTOR HOUSING, POWDER COATED	1	
8	K001216	5619000, CORDPLATE	1	
9	5060000	CORD PLATE GASKET	1	
10	50710A0	PIPE PLUG, 1/4" HEX HD BRASS NPTF	1	
11	8092000	#10 - 24 x 3/8" SCREW	6	
12	5366000	MOTOR 115V 1PH	1	
13	5833000	IMPELLER	1	
14	5858000	1.5" FLANGE GASKET	1	
15	5862000	BOLT, 3/8-16X1 SHCS SS	6	
16	5889000	VOLUTE	1	
17	5891000	INLET STAMPING	1	
19	8064000	#8-32 x 5/8 HEX WASHER HEAD SCREW	4	
22	8103000	SCREW 1/4-20x5/8" HX SKT SS	2	
23	8158000	WASHER, 3/8 x 1-1/8, SS	2	
24	3403000	O-RING	1	

PART NOTES:

[1] - Part requires factory authorized service. Contact Liberty Pumps at 1-800-543-2550