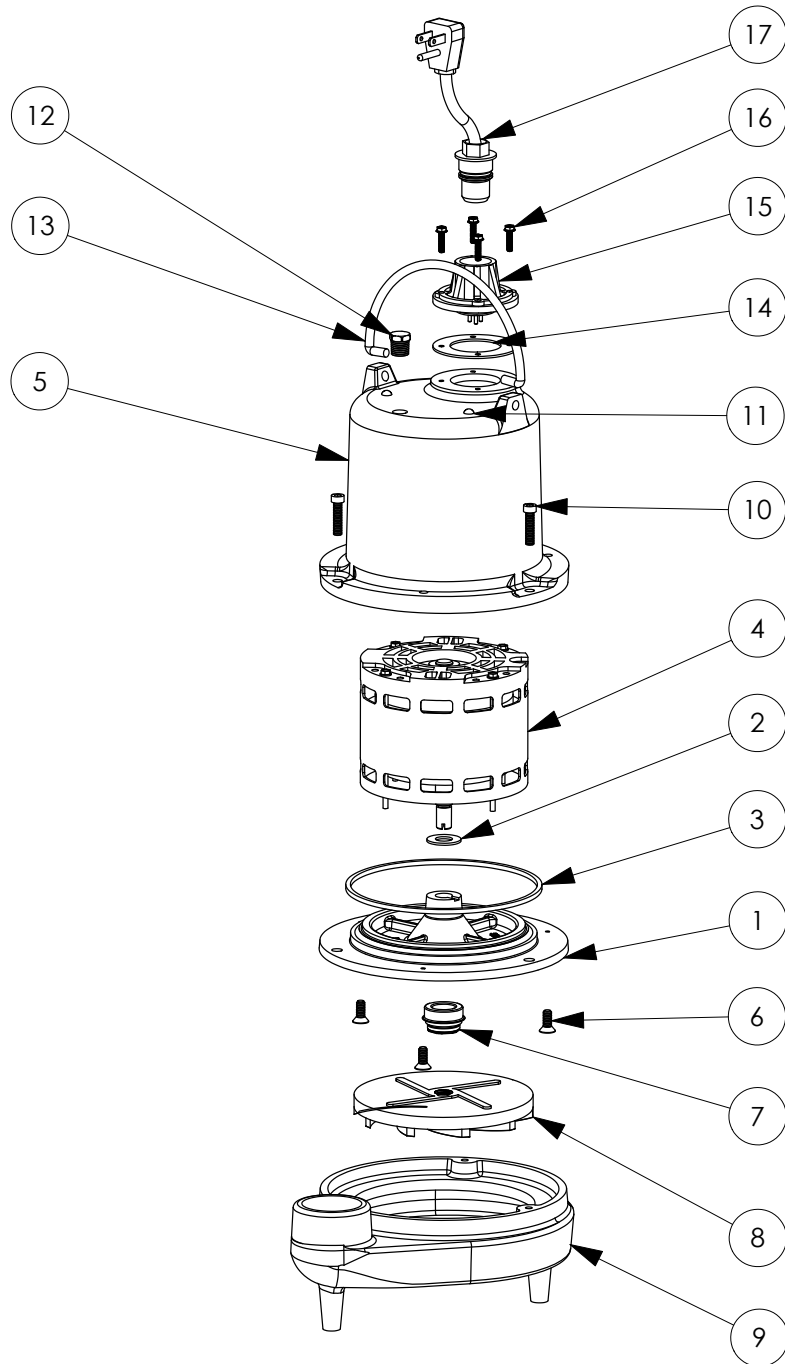


FL31M (B10)



FL31M**FL31M (B10)**

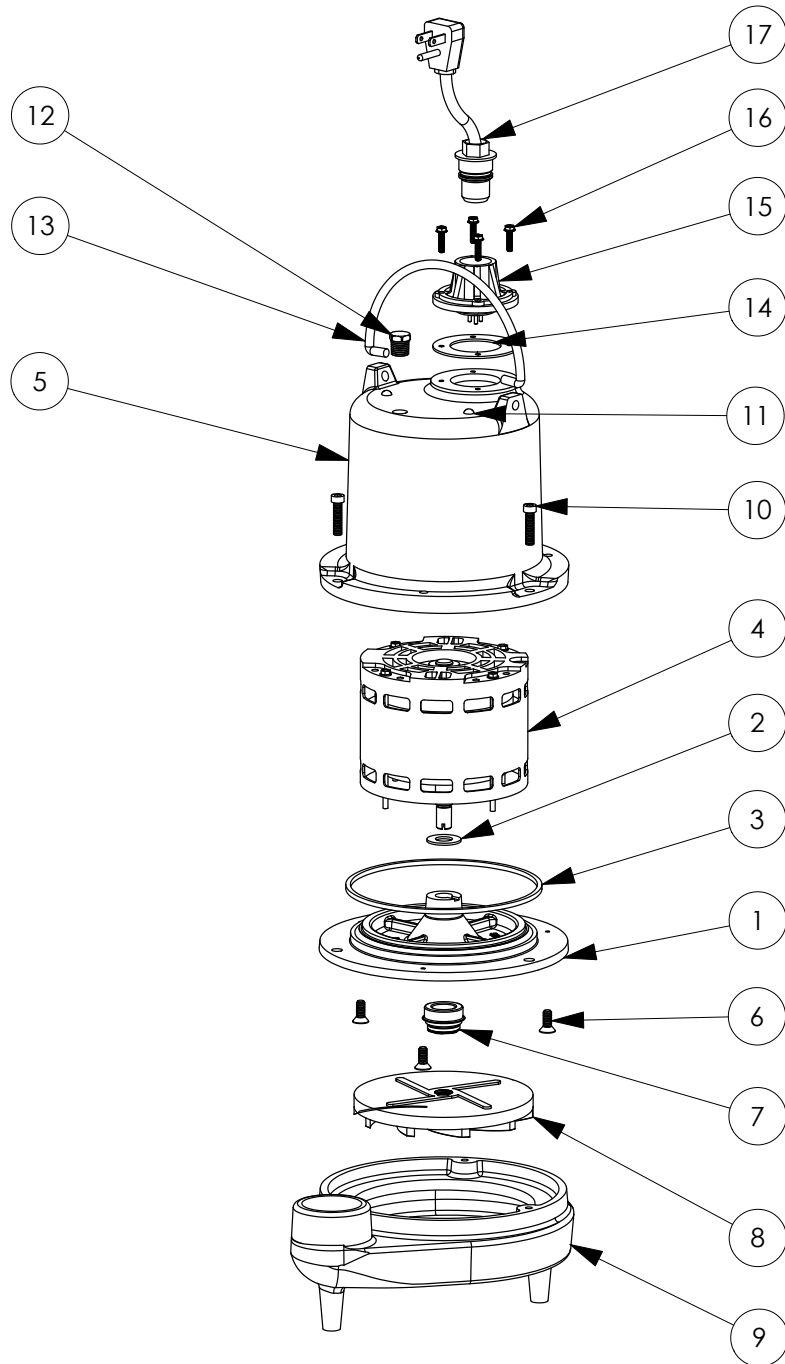
#	PART #	DESCRIPTION	QTY	Note
1	5052000	MOTOR SUPPORT PLATE	1	
2	5395000	THRUST WASHER	1	
3	5066000	SEALRING, MOTOR COVER, #254S	1	[1]
4	5176000	MOTOR ASSEMBLY, .5HP	1	
5	53500AR	MOTOR CAP	1	
6	8018000	1/4-20 x 5/8 SLOTTED FLAT HEAD BOLT	3	
7	5098000	1/2 INCH UNITIZED SEAL	1	
8	K001036	IMPELLER	1	
9	500100R	HOUSING, VOLUTE	1	
10	8091000	1/4-20 x 1 HEX SOCKET HEAD BOLT	3	
11	8033000	#8 x 1/4 STAINLESS STEEL SCREW	2	
12	5071000	BRASS OIL PLUG	1	
13	K001095	STAINLESS STEEL HANDLE	1	
14	5060000	CORD PLATE GASKET	1	
15	5014000	CORD PLATE	1	
16	8064000	#8-32 x 5/8 HEX WASHER HEAD SCREW	4	
17	K001010	POWER CORD, 115V, 10 FOOT CORD	1	

PART NOTES:

[1] - Part requires factory authorized service. Contact Liberty Pumps at 1-800-543-2550

FL31M

FL31M (B20)



FL31M**FL31M (B20)**

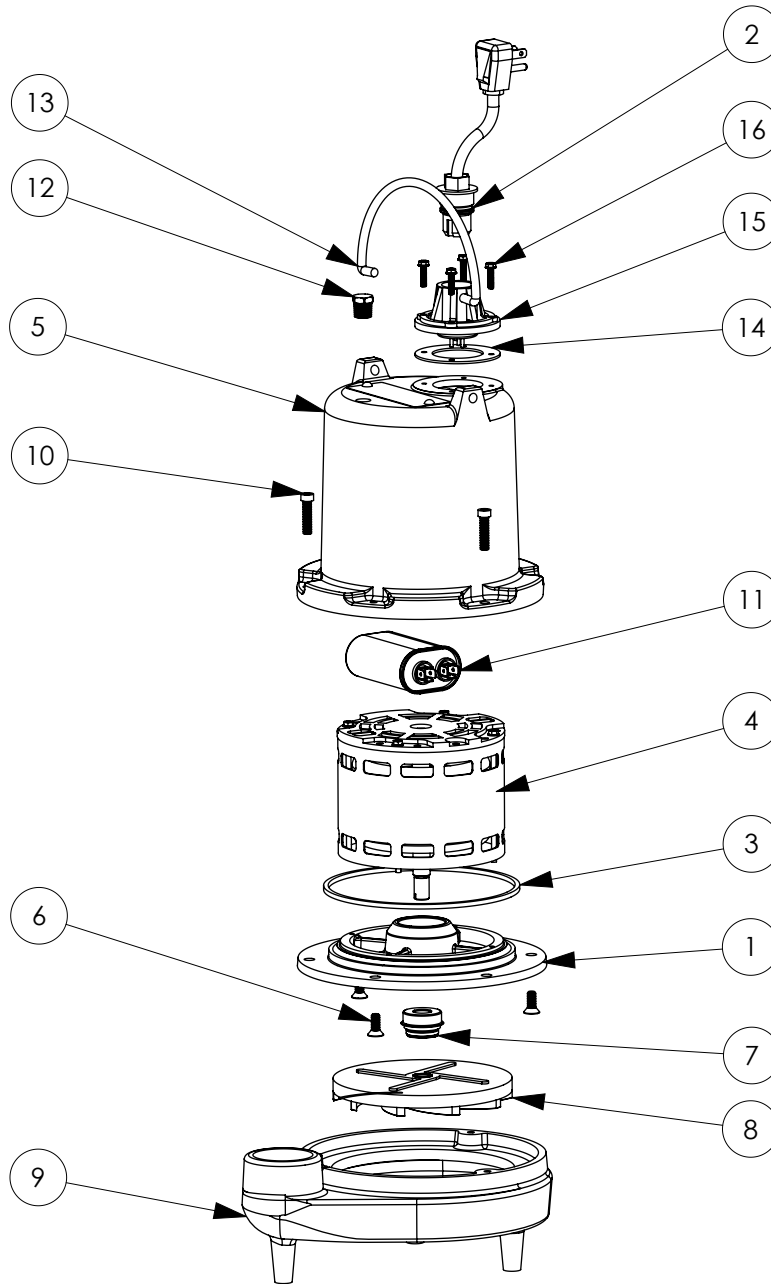
#	PART #	DESCRIPTION	QTY	Note
1	5052000	MOTOR SUPPORT PLATE	1	
2	5395000	THRUST WASHER	1	
3	5066000	SEALRING, MOTOR COVER, #254S	1	[1]
4	5176000	MOTOR ASSEMBLY, .5HP	1	
5	53500AR	MOTOR CAP	1	
6	8018000	1/4-20 x 5/8 SLOTTED FLAT HEAD BOLT	3	
7	50980A0	1/2 INCH UNITIZED SEAL	1	[1]
8	K001036	IMPELLER	1	
9	500100R	HOUSING, VOLUTE	1	
10	8091000	1/4-20 x 1 HEX SOCKET HEAD BOLT	3	
11	8033000	#8 x 1/4 STAINLESS STEEL SCREW	2	
12	5071000	BRASS OIL PLUG	1	
13	K001095	STAINLESS STEEL HANDLE	1	
14	5060000	CORD PLATE GASKET	1	
15	5014000	CORD PLATE	1	
16	8064000	#8-32 x 5/8 HEX WASHER HEAD SCREW	4	
17	K001010	POWER CORD, 115V, 10 FOOT CORD	1	

PART NOTES:

[1] - Part requires factory authorized service. Contact Liberty Pumps at 1-800-543-2550

FL31M

FL31M (B32)



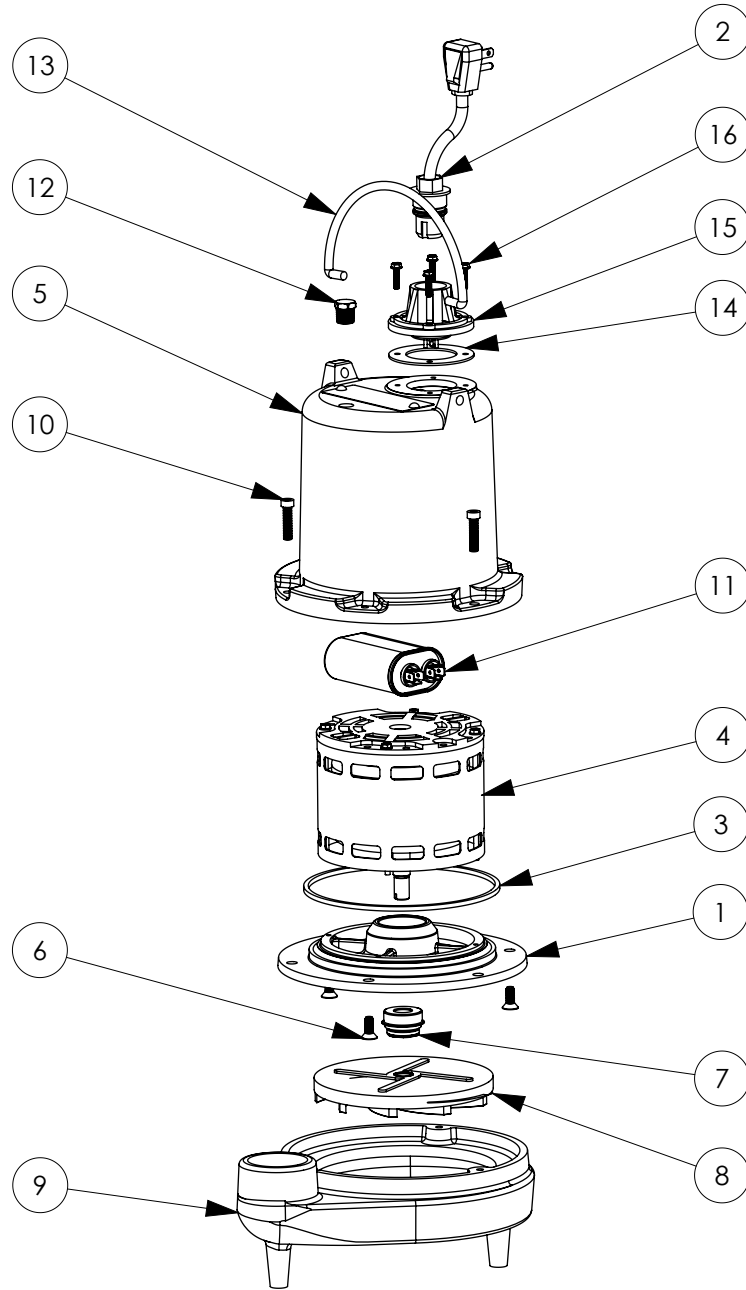
FL31M**FL31M (B32)**

#	PART #	DESCRIPTION	QTY	Note
1	509200R	MOTOR SUPPORT PLATE	1	
2	K001010	POWER CORD, 115V, 10 FOOT CORD	1	
3	5066000	SEALRING, MOTOR COVER, #254S	1	[1]
4	5197200	MOTOR .5HP WITH BALL BEARING	1	
5	545000R	MOTOR COVER	1	
6	8018000	1/4-20 x 5/8 SLOTTED FLAT HEAD BOLT	3	
7	50980A0	1/2 INCH UNITIZED SEAL	1	[1]
8	K001169	IMPELLER	1	
9	500100R	HOUSING, VOLUTE	1	
10	8091000	1/4-20 x 1 HEX SOCKET HEAD BOLT	3	
11	51930D0	CAPACITOR	1	
12	5071000	BRASS OIL PLUG	1	
13	K001095	STAINLESS STEEL HANDLE	1	
14	5060000	CORD PLATE GASKET	1	
15	5014000	CORD PLATE	1	
16	8064000	#8-32 x 5/8 HEX WASHER HEAD SCREW	4	

PART NOTES:

[1] - Part requires factory authorized service. Contact Liberty Pumps at 1-800-543-2550

FL31M (B41)



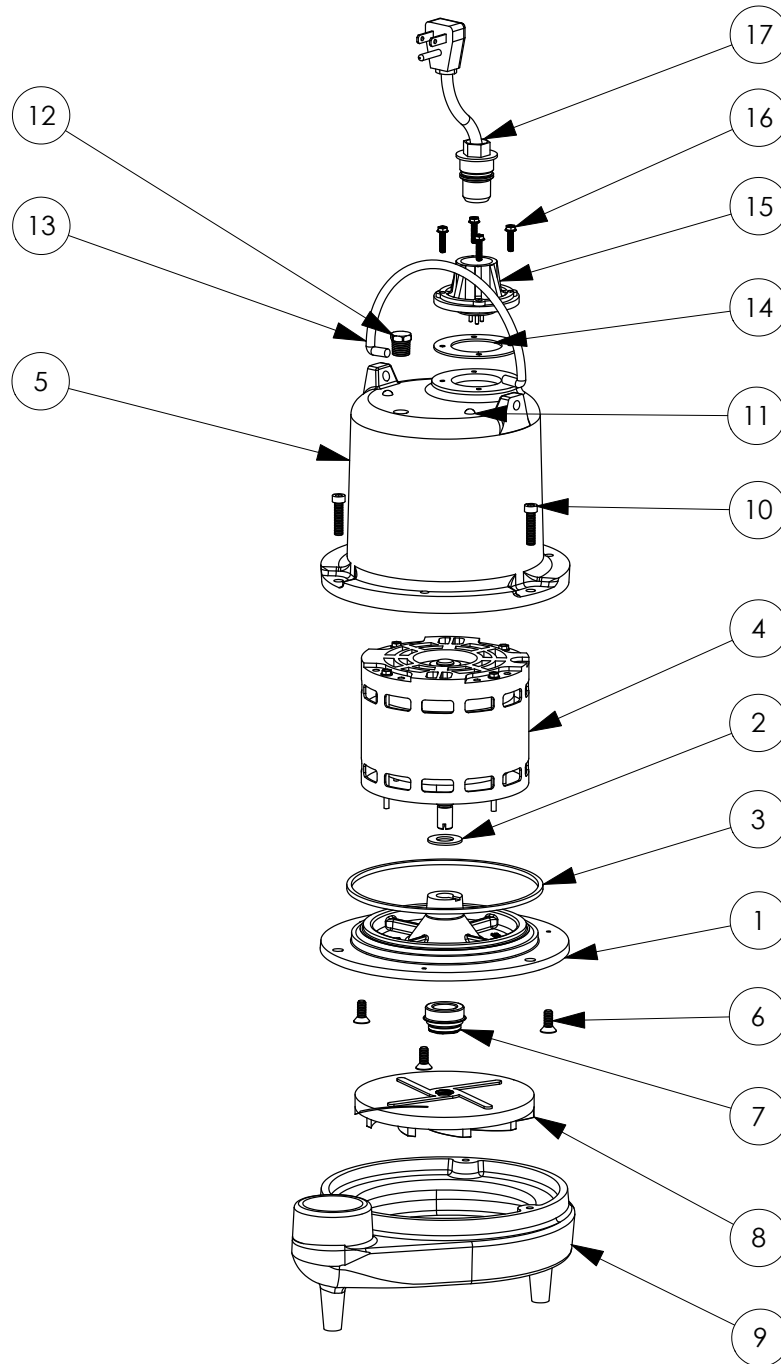
FL31M**FL31M (B41)**

#	PART #	DESCRIPTION	QTY	Note
1	509200R	MOTOR SUPPORT PLATE	1	
2	K001010	POWER CORD, 115V, 10 FOOT CORD	1	
3	5066000	SEALRING, MOTOR COVER, #254S	1	[1]
4	51972A0	MOTOR 1/2HP WITH BALL BEARING	1	[1]
5	545000R	MOTOR COVER	1	
6	8018000	1/4-20 x 5/8 SLOTTED FLAT HEAD BOLT	3	
7	50980A0	1/2 INCH UNITIZED SEAL	1	[1]
8	K001169	IMPELLER	1	
9	500100R	HOUSING, VOLUTE	1	
10	8091000	1/4-20 x 1 HEX SOCKET HEAD BOLT	3	
11	51930D0	CAPACITOR	1	
12	5071000	BRASS OIL PLUG	1	
13	K001095	STAINLESS STEEL HANDLE	1	
14	5060000	CORD PLATE GASKET	1	
15	5014000	CORD PLATE	1	
16	8064000	#8-32 x 5/8 HEX WASHER HEAD SCREW	4	

PART NOTES:

[1] - Part requires factory authorized service. Contact Liberty Pumps at 1-800-543-2550

FL31M-2 (B10)



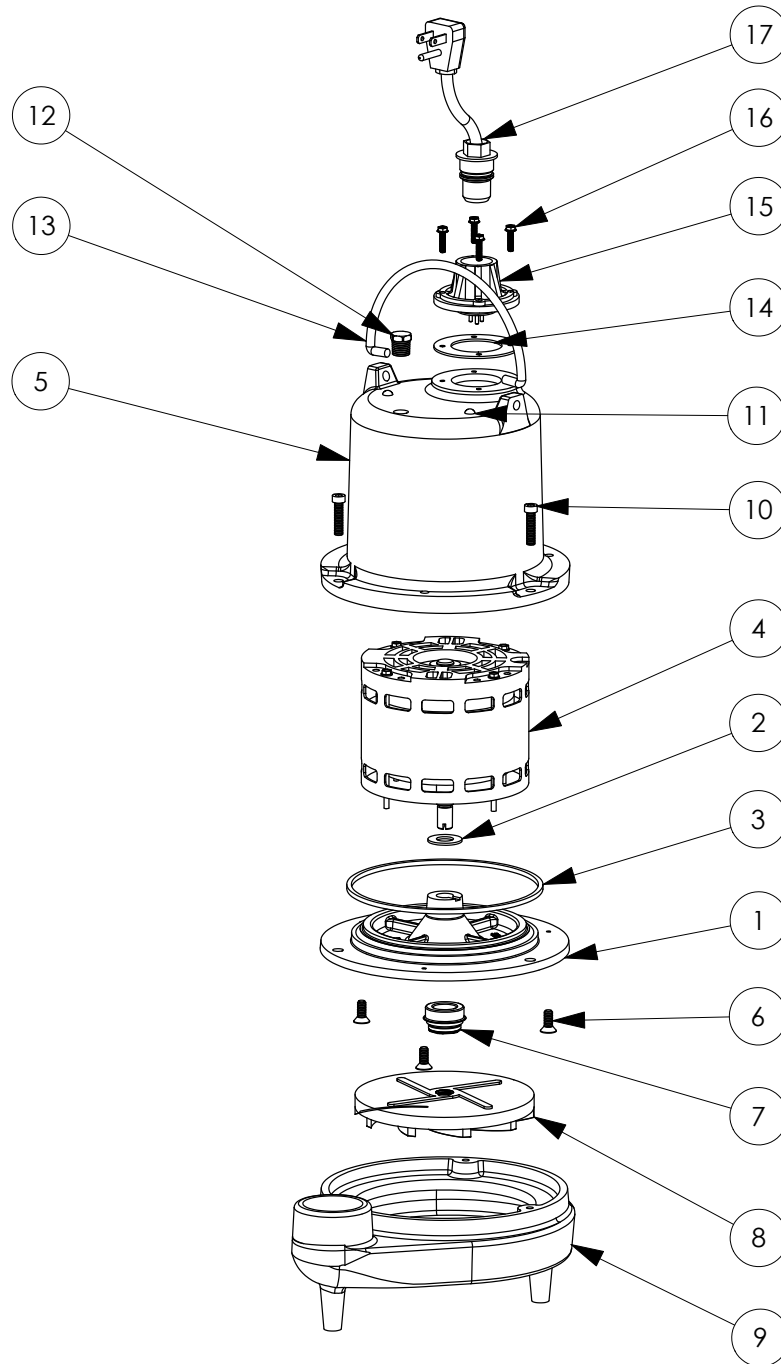
FL31M-2**FL31M-2 (B10)**

#	PART #	DESCRIPTION	QTY	Note
1	5052000	MOTOR SUPPORT PLATE	1	
2	5395000	THRUST WASHER	1	
3	5066000	SEALRING, MOTOR COVER, #254S	1	[1]
4	5176000	MOTOR ASSEMBLY, .5HP	1	
5	53500AR	MOTOR CAP	1	
6	8018000	1/4-20 x 5/8 SLOTTED FLAT HEAD BOLT	3	
7	5098000	1/2 INCH UNITIZED SEAL	1	
8	K001036	IMPELLER	1	
9	500100R	HOUSING, VOLUTE	1	
10	8091000	1/4-20 x 1 HEX SOCKET HEAD BOLT	3	
11	8033000	#8 x 1/4 STAINLESS STEEL SCREW	2	
12	5071000	BRASS OIL PLUG	1	
13	K001095	STAINLESS STEEL HANDLE	1	
14	5060000	CORD PLATE GASKET	1	
15	5014000	CORD PLATE	1	
16	8064000	#8-32 x 5/8 HEX WASHER HEAD SCREW	4	
17	K001008	POWER CORD, 115V, 25 FOOT CORD	1	

PART NOTES:

[1] - Part requires factory authorized service. Contact Liberty Pumps at 1-800-543-2550

FL31M-2 (B20)



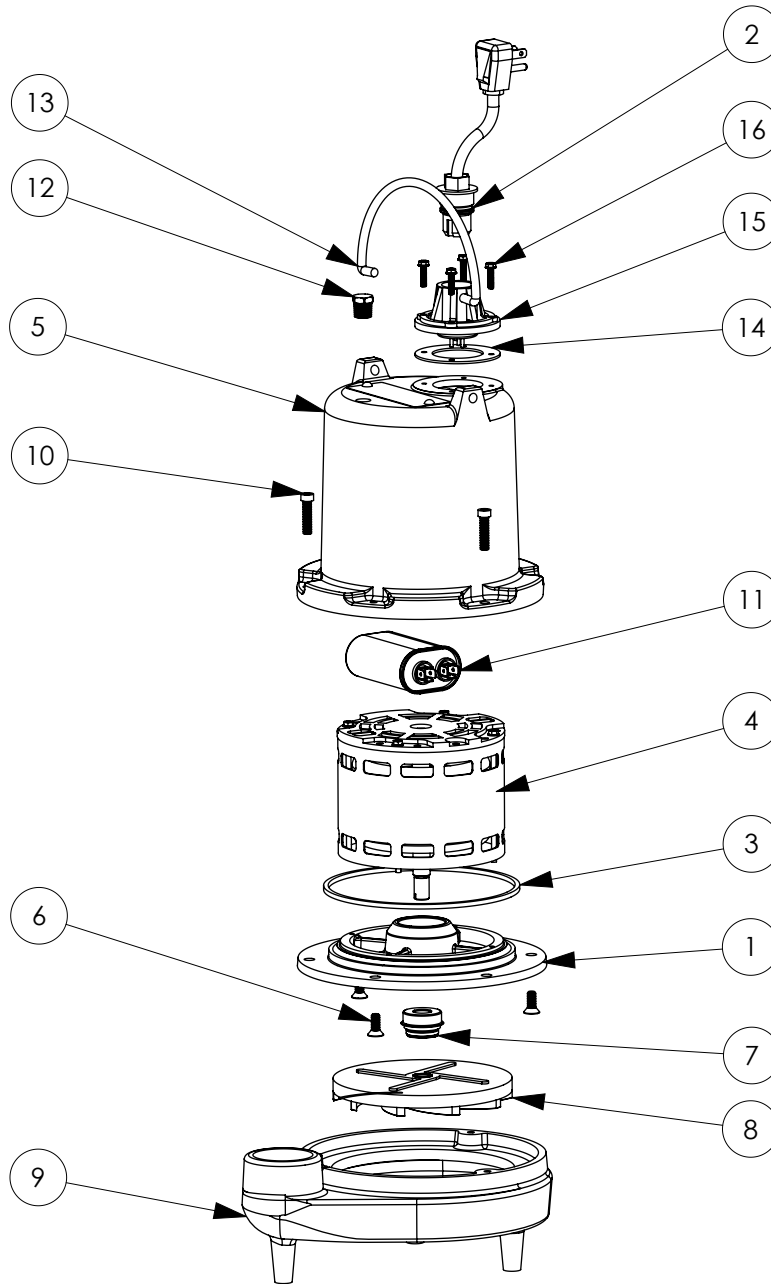
FL31M-2**FL31M-2 (B20)**

#	PART #	DESCRIPTION	QTY	Note
1	5052000	MOTOR SUPPORT PLATE	1	
2	5395000	THRUST WASHER	1	
3	5066000	SEALRING, MOTOR COVER, #254S	1	[1]
4	5176000	MOTOR ASSEMBLY, .5HP	1	
5	53500AR	MOTOR CAP	1	
6	8018000	1/4-20 x 5/8 SLOTTED FLAT HEAD BOLT	3	
7	50980A0	1/2 INCH UNITIZED SEAL	1	[1]
8	K001036	IMPELLER	1	
9	500100R	HOUSING, VOLUTE	1	
10	8091000	1/4-20 x 1 HEX SOCKET HEAD BOLT	3	
11	8033000	#8 x 1/4 STAINLESS STEEL SCREW	2	
12	5071000	BRASS OIL PLUG	1	
13	K001095	STAINLESS STEEL HANDLE	1	
14	5060000	CORD PLATE GASKET	1	
15	5014000	CORD PLATE	1	
16	8064000	#8-32 x 5/8 HEX WASHER HEAD SCREW	4	
17	K001008	POWER CORD, 115V, 25 FOOT CORD	1	

PART NOTES:

[1] - Part requires factory authorized service. Contact Liberty Pumps at 1-800-543-2550

FL31M-2 (B32)



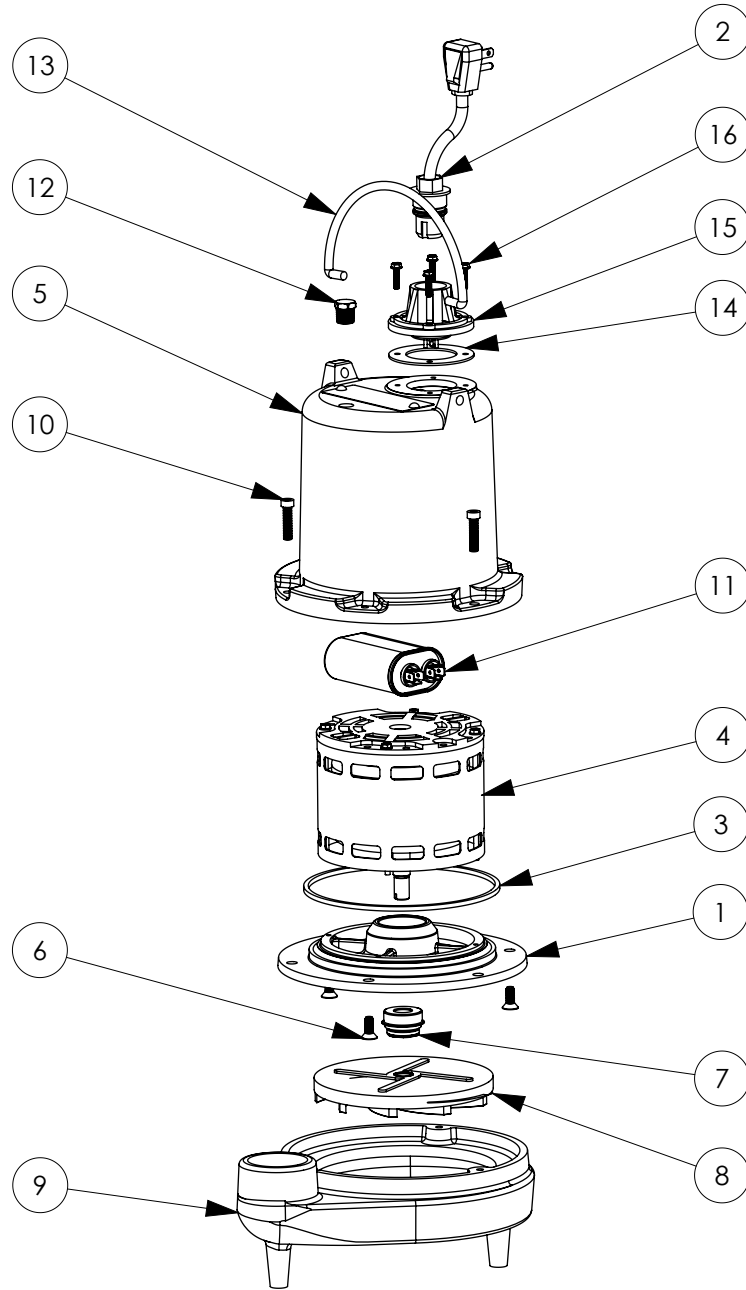
FL31M-2**FL31M-2 (B32)**

#	PART #	DESCRIPTION	QTY	Note
1	509200R	MOTOR SUPPORT PLATE	1	
2	K001008	POWER CORD, 115V, 25 FOOT CORD	1	
3	5066000	SEALRING, MOTOR COVER, #254S	1	[1]
4	5197200	MOTOR .5HP WITH BALL BEARING	1	
5	545000R	MOTOR COVER	1	
6	8018000	1/4-20 x 5/8 SLOTTED FLAT HEAD BOLT	3	
7	50980A0	1/2 INCH UNITIZED SEAL	1	[1]
8	K001169	IMPELLER	1	
9	500100R	HOUSING, VOLUTE	1	
10	8091000	1/4-20 x 1 HEX SOCKET HEAD BOLT	3	
11	51930D0	CAPACITOR	1	
12	5071000	BRASS OIL PLUG	1	
13	K001095	STAINLESS STEEL HANDLE	1	
14	5060000	CORD PLATE GASKET	1	
15	5014000	CORD PLATE	1	
16	8064000	#8-32 x 5/8 HEX WASHER HEAD SCREW	4	

PART NOTES:

[1] - Part requires factory authorized service. Contact Liberty Pumps at 1-800-543-2550

FL31M-2 (B41)



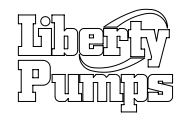
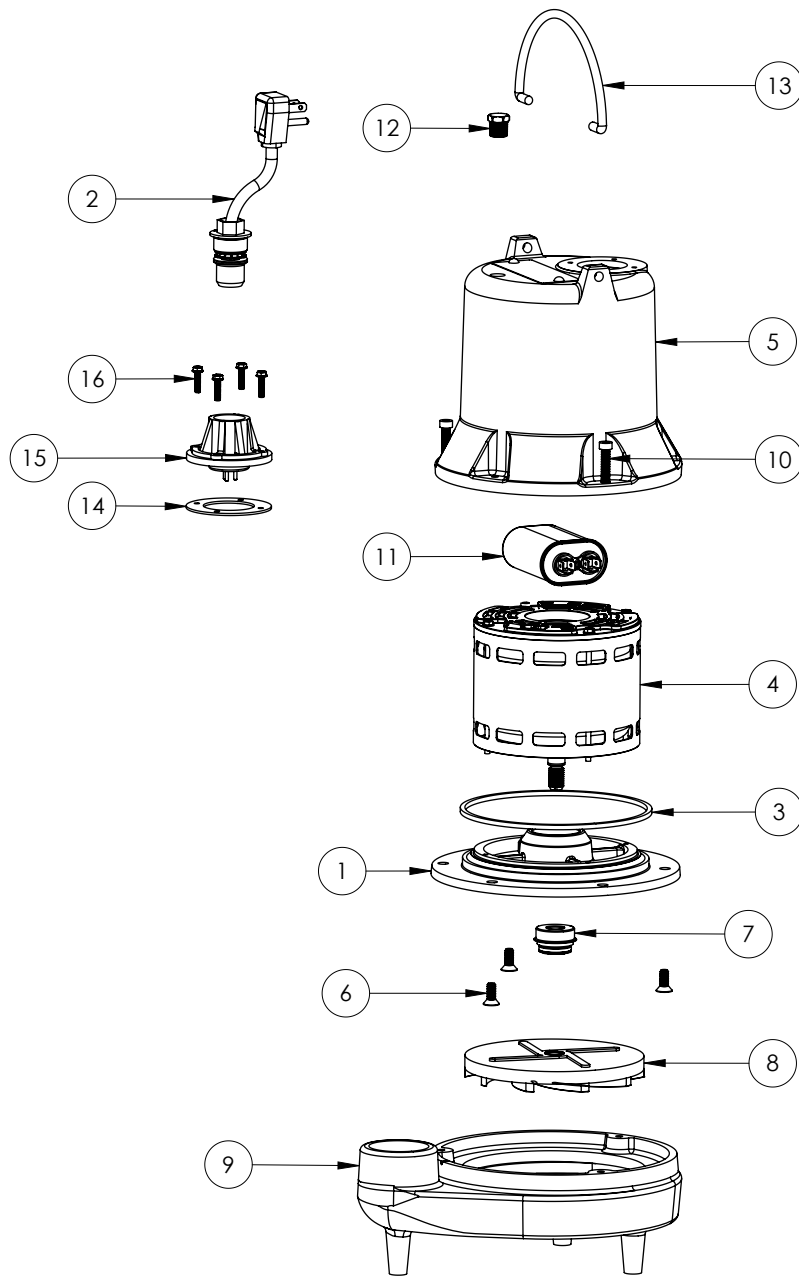
FL31M-2**FL31M-2 (B41)**

#	PART #	DESCRIPTION	QTY	Note
1	509200R	MOTOR SUPPORT PLATE	1	
2	K001008	POWER CORD, 115V, 25 FOOT CORD	1	
3	5066000	SEALRING, MOTOR COVER, #254S	1	[1]
4	51972A0	MOTOR 1/2HP WITH BALL BEARING	1	[1]
5	545000R	MOTOR COVER	1	
6	8018000	1/4-20 x 5/8 SLOTTED FLAT HEAD BOLT	3	
7	50980A0	1/2 INCH UNITIZED SEAL	1	[1]
8	K001169	IMPELLER	1	
9	500100R	HOUSING, VOLUTE	1	
10	8091000	1/4-20 x 1 HEX SOCKET HEAD BOLT	3	
11	51930D0	CAPACITOR	1	
12	5071000	BRASS OIL PLUG	1	
13	K001095	STAINLESS STEEL HANDLE	1	
14	5060000	CORD PLATE GASKET	1	
15	5014000	CORD PLATE	1	
16	8064000	#8-32 x 5/8 HEX WASHER HEAD SCREW	4	

PART NOTES:

[1] - Part requires factory authorized service. Contact Liberty Pumps at 1-800-543-2550

FL31M-3 (B41)



FL31M-3**FL31M-3 (B41)**

#	PART #	DESCRIPTION	QTY	Note
1	509200R	MOTOR SUPPORT PLATE	1	
2	K001346	POWER CORD, 35FT.	1	
3	5066000	SEALRING, MOTOR COVER, #254S	1	[1]
4	51972A0	MOTOR 1/2HP WITH BALL BEARING	1	[1]
5	527800R	MOTOR CAP	1	
6	8018000	1/4-20 x 5/8 SLOTTED FLAT HEAD BOLT	3	
7	50980A0	1/2 INCH UNITIZED SEAL	1	[1]
8	K001169	IMPELLER	1	
9	500100R	HOUSING, VOLUTE	1	
10	8091000	1/4-20 x 1 HEX SOCKET HEAD BOLT	3	
11	51930D0	CAPACITOR	1	
12	50710A0	PIPE PLUG, 1/4" HEX HD BRASS NPTF	1	
13	K001095	STAINLESS STEEL HANDLE	1	
14	5060000	CORD PLATE GASKET	1	
15	5014000	CORD PLATE	1	
16	8064000	#8-32 x 5/8 HEX WASHER HEAD SCREW	4	

PART NOTES:

[1] - Part requires factory authorized service. Contact Liberty Pumps at 1-800-543-2550