



Submittal Data Information

FI Series Pumps

301-1488

EFFECTIVE: NOVEMBER 1, 2010

SUPERSEDES: MARCH 1, 2010

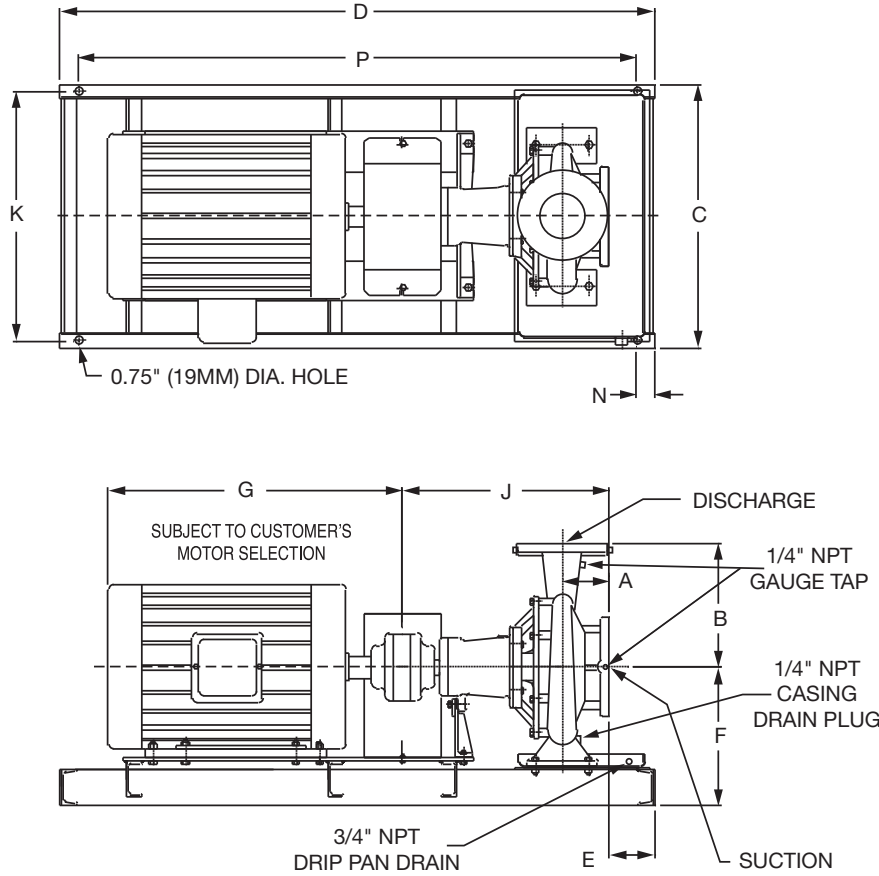
1160 RPM MODEL 8013

JOB _____ ENGINEER _____

CONTRACTOR _____ REP. _____

ITEM NO.	MODEL NO.	IMPELLER DIA.	G.P.M.	HEAD/FT.	H.P.	ELEC. CHAR.

WEIGHT _____ PUMP/MOTOR _____



DIMENSIONS

50 Cycle Performance Curves attached when applicable.

Model No. Flange Size (Suction x Discharge)	Motor Frame	HP 1160 (RPM)	A		B		C	D	E		F	G	J		K	N	P
			ANSI Class 125	ANSI Class 250	ANSI Class 125	ANSI Class 250			ANSI Class 125	ANSI Class 250			ANSI Class 125	ANSI Class 250			
8013 10 x 8 (254 x 203)	256T	10	10.00 (254)	10.69 (271)	19.00 (483)	19.50 (495)	25.17 (639)	60.0 (1524)	2.38 (60)	1.69 (43)	16.59 (421)	23.19 (589)	31.65 (804)	32.33 (821)	23.67 (601)	2.00 (51)	56.0 (1422)
	284T	15					25.17 (639)	60.0 (1524)	2.38 (60)	1.69 (43)		24.94 (633)			23.67 (601)		56.0 (1422)
	286T	20					25.17 (639)	60.0 (1524)	2.38 (60)	1.69 (43)		25.06 (637)			23.67 (601)		56.0 (1422)
	324T	25					25.17 (639)	60.0 (1524)	2.38 (60)	1.69 (43)		26.69 (678)			23.67 (601)		56.0 (1422)
	326T	30					25.17 (639)	60.0 (1524)	2.38 (60)	1.69 (43)		27.69 (703)			23.67 (601)		56.0 (1422)
	364T	40					25.17 (639)	74.0 (1880)	2.38 (60)	1.69 (43)		29.69 (754)			23.67 (601)		70.0 (1778)
	365T	50					25.17 (639)	74.0 (1880)	2.38 (60)	1.69 (43)		29.69 (754)			23.67 (601)		70.0 (1778)
404T	60	25.17 (639)	74.0 (1880)	2.38 (60)	1.69 (43)	34.00 (864)	23.67 (601)	70.0 (1778)									

English dimensions are in inches. Metric dimensions are in millimeters. Metric data is presented in ().
Do not use for construction purposes unless certified.

MATERIALS OF CONSTRUCTION

Item	BRONZE FITTED		ALL IRON	
	Std. Pump Constr.	Optional	Standard	Optional
Casing	Cast Iron ASTM A48 Class 30A	N/A	Cast Iron ASTM A48 Class 30A	N/A
Impeller	Bronze ASTM B584-836	N/A	Cast Iron ASTM A48 Class 30A	N/A
Wear Ring	N/A	Bronze ASTM B584-932 SAE660	N/A	N/A
Shaft	Carbon Steel AISI 1045	St. Steel AISI 416 ASTM A582	Carbon Steel AISI 1045	St. Steel AISI 416 ASTM A582
Shaft Sleeve	Bronze ASTM B584-932 SAE660	St. Steel AISI 303 ASTM A276	St. Steel AISI 303 ASTM A276	N/A
Mech. Seal	Ceramic/EPT	CF	Ceramic/EPT	CF
Seal Flush Line	N/A	Copper	N/A	Stainless Steel

CF - Consult Factory

N/A - Not Available

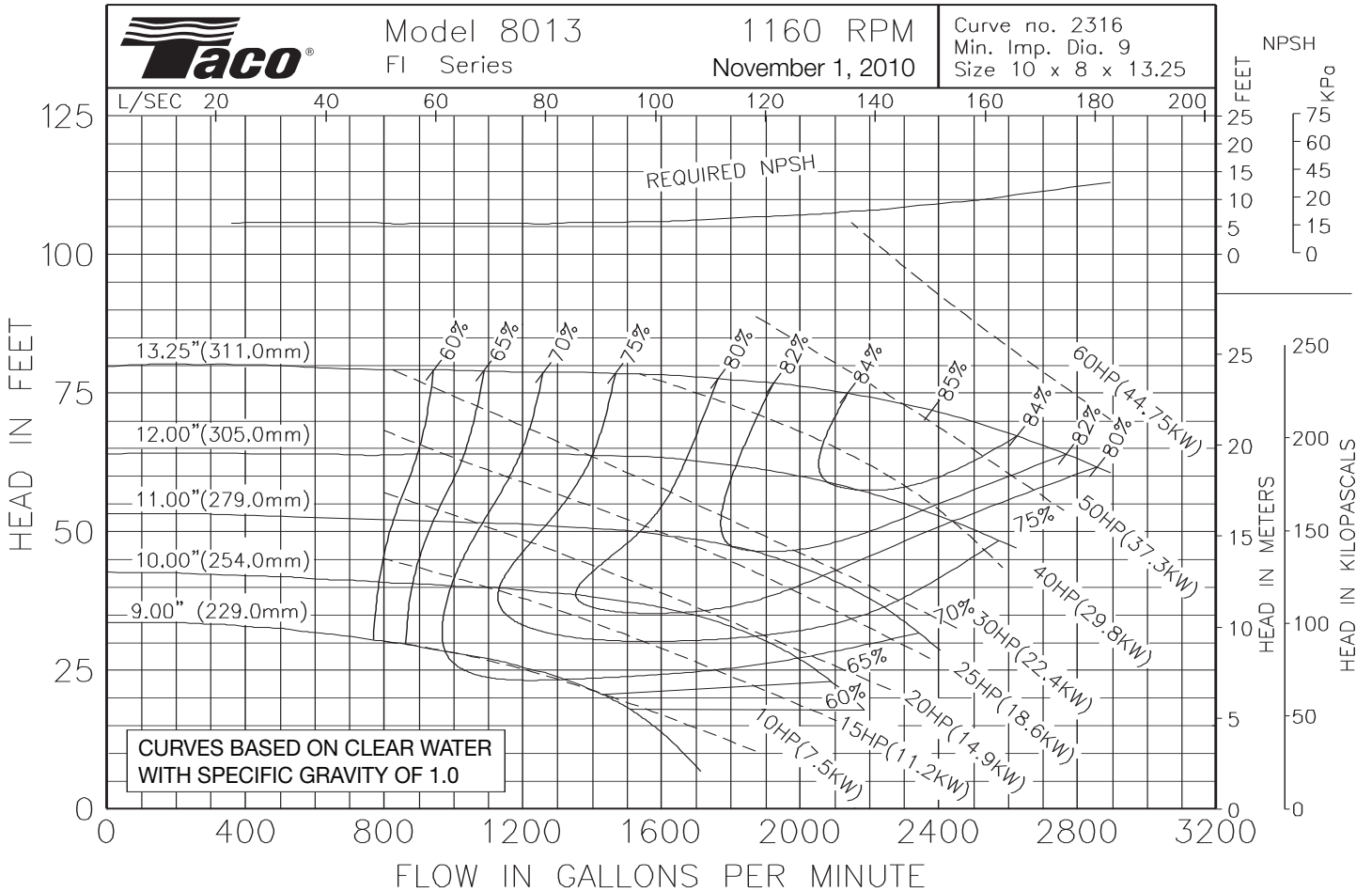
OPERATING SPECIFICATIONS

	Standard	Optional
Flange	ANSI Class 125	ANSI Class 250
Pressure	175 PSIG* (1210 KPA)	300 PSIG** (2070 KPA)
Temperature	250°F (120°C)	250°F (120°C)

Motors: All NEMA Standard (T Frame)
 * In accordance with ANSI Standard B16.1 Class 125
 ** In accordance with ANSI Standard B16.1 Class 250 Dim.

MAXIMUM ASSEMBLY WEIGHT

Motor Frame	Weight Lbs (Kg)
254T - 256T	1161 (527)
284T - 286T	1330 (603)
324T - 326T	1458 (661)
364T - 365T	1710 (776)
404T - 405T	1930 (875)



Comments:

Do it Once. Do it Right.®

TACO, INC., 1160 Cranston Street, Cranston, RI 02920 Telephone: (401) 942-8000 FAX: (401) 942-2360.
TACO (Canada), Ltd., 8450 Lawson Road, Unit #3, Milton, Ontario L9T 0J8. Telephone: 905/564-9422. FAX: 905/564-9436.
 Visit our web site at: <http://www.taco-hvac.com>

Printed in USA
 Copyright 2010
 TACO, Inc.



Submittal Data Information

FI Series Pumps

301-1489

EFFECTIVE: MARCH 1, 2010

SUPERSEDES: OCTOBER 1, 2009

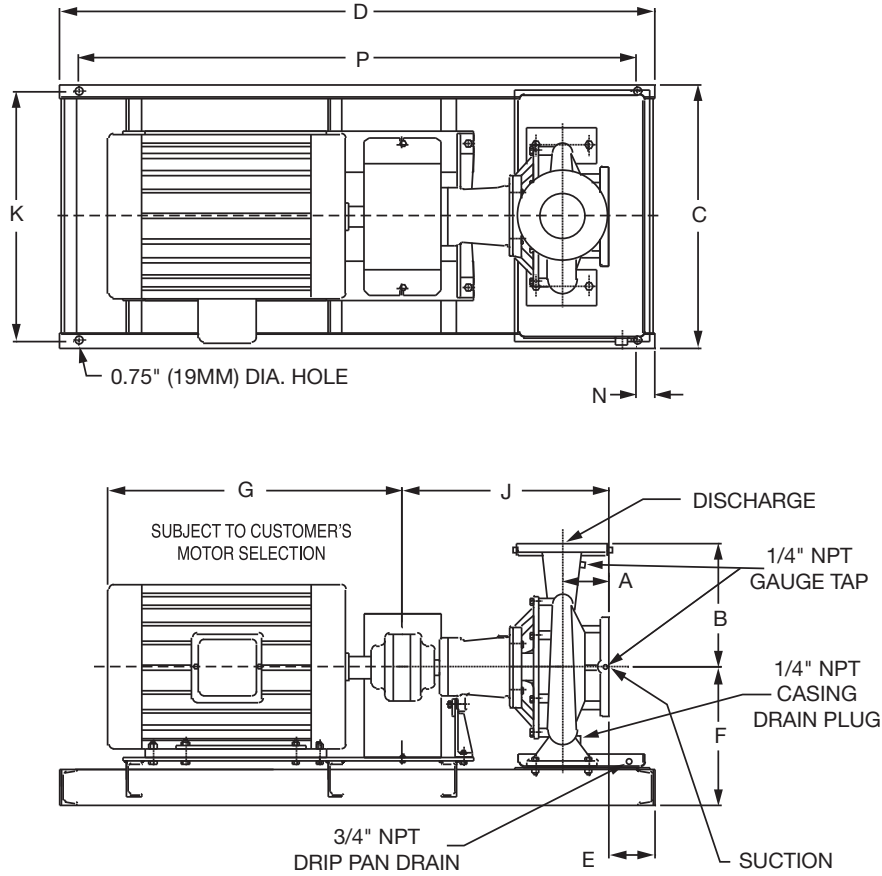
1760 RPM MODEL 8013

JOB _____ ENGINEER _____

CONTRACTOR _____ REP. _____

ITEM NO.	MODEL NO.	IMPELLER DIA.	G.P.M.	HEAD/FT.	H.P.	ELEC. CHAR.

WEIGHT _____ PUMP/MOTOR _____



DIMENSIONS

50 Cycle Performance Curves attached when applicable.

Model No. Flange Size (Suction x Discharge)	Motor Frame	HP 1760 (RPM)	A		B		C	D	E		F	G	J		K	N	P
			ANSI Class 125	ANSI Class 250	ANSI Class 125	ANSI Class 250			ANSI Class 125	ANSI Class 250			ANSI Class 125	ANSI Class 250			
8013 10 x 8 (254 x 203)	324T	40	10.00 (254)	10.69 (271)	19.00 (483)	19.50 (495)	25.17 (639)	60.0 (1524)	2.38 (60)	1.69 (43)	16.59 (421)	26.69 (678)	31.65 (804)	32.33 (821)	23.67 (601)	2.00 (51)	56.0 (1422)
	326T	50					25.17 (639)	60.0 (1524)	2.38 (60)	1.69 (43)		27.69 (703)			23.67 (601)		56.0 (1422)
	364T	60					25.17 (639)	74.0 (1880)	2.38 (60)	1.69 (43)		29.69 (754)			23.67 (601)		70.0 (1778)
	365T	75					25.17 (639)	74.0 (1880)	2.38 (60)	1.69 (43)		29.69 (754)			23.67 (601)		70.0 (1778)
	405T	100					25.17 (639)	74.0 (1880)	2.38 (60)	1.69 (43)		34.00 (864)			23.67 (601)		70.0 (1778)
	444T	125					25.17 (639)	74.0 (1880)	2.38 (60)	1.69 (43)		44.30 (1125)			23.67 (601)		70.0 (1778)
	445T	150					25.17 (639)	74.0 (1880)	2.38 (60)	1.69 (43)		44.30 (1125)			23.67 (601)		70.0 (1778)
	447T	200					25.17 (639)	74.0 (1880)	2.38 (60)	1.69 (43)		47.74 (1213)			23.67 (601)		70.0 (1778)

English dimensions are in inches. Metric dimensions are in millimeters. Metric data is presented in ().
Do not use for construction purposes unless certified.

MATERIALS OF CONSTRUCTION

Item	BRONZE FITTED		ALL IRON	
	Std. Pump Constr.	Optional	Standard	Optional
Casing	Cast Iron ASTM A48 Class 30A	N/A	Cast Iron ASTM A48 Class 30A	N/A
Impeller	Bronze ASTM B584-836	N/A	Cast Iron ASTM A48 Class 30A	N/A
Wear Ring	N/A	Bronze ASTM B584-932 SAE660	N/A	N/A
Shaft	Carbon Steel AISI 1045	St. Steel AISI 416 ASTM A582	Carbon Steel AISI 1045	St. Steel AISI 416 ASTM A582
Shaft Sleeve	Bronze ASTM B584-932 SAE660	St. Steel AISI 303 ASTM A276	St. Steel AISI 303 ASTM A276	N/A
Mech. Seal	Ceramic/EPT	CF	Ceramic/EPT	CF
Seal Flush Line	N/A	Copper	N/A	Stainless Steel

CF - Consult Factory

N/A - Not Available

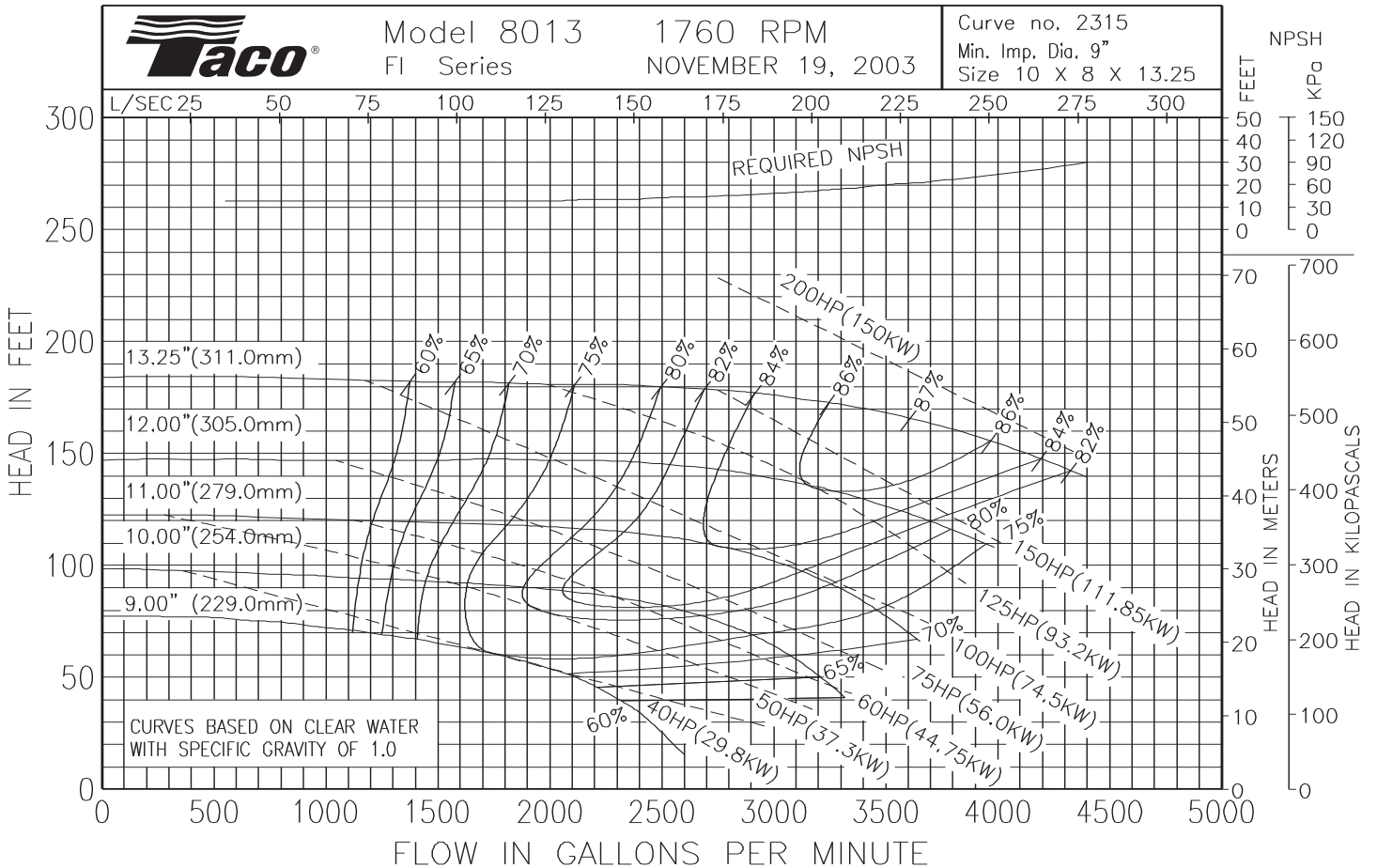
OPERATING SPECIFICATIONS

	Standard	Optional
Flange	ANSI Class 125	ANSI Class 250
Pressure	175 PSIG* (1210 KPA)	300 PSIG** (2070 KPA)
Temperature	250°F (120°C)	250°F (120°C)

Motors: All NEMA Standard (T Frame)
 * In accordance with ANSI Standard B16.1 Class 125
 ** In accordance with ANSI Standard B16.1 Class 250 Dim.

MAXIMUM ASSEMBLY WEIGHT

Motor Frame	Weight Lbs (Kg)
324T - 326T	1513 (686)
364T - 365T	1758 (797)
404T - 405T	2066 (937)
444T - 445T	2619 (1188)
447T - 449T	2716 (1232)



Comments:

Do it Once. Do it Right.®

TACO, INC., 1160 Cranston Street, Cranston, RI 02920 Telephone: (401) 942-8000 FAX: (401) 942-2360.
TACO (Canada), Ltd., 8450 Lawson Road, Unit #3, Milton, Ontario L9T 0J8. Telephone: 905/564-9422. FAX: 905/564-9436.
 Visit our web site at: <http://www.taco-hvac.com>

Printed in USA
 Copyright 2010
 TACO, Inc.