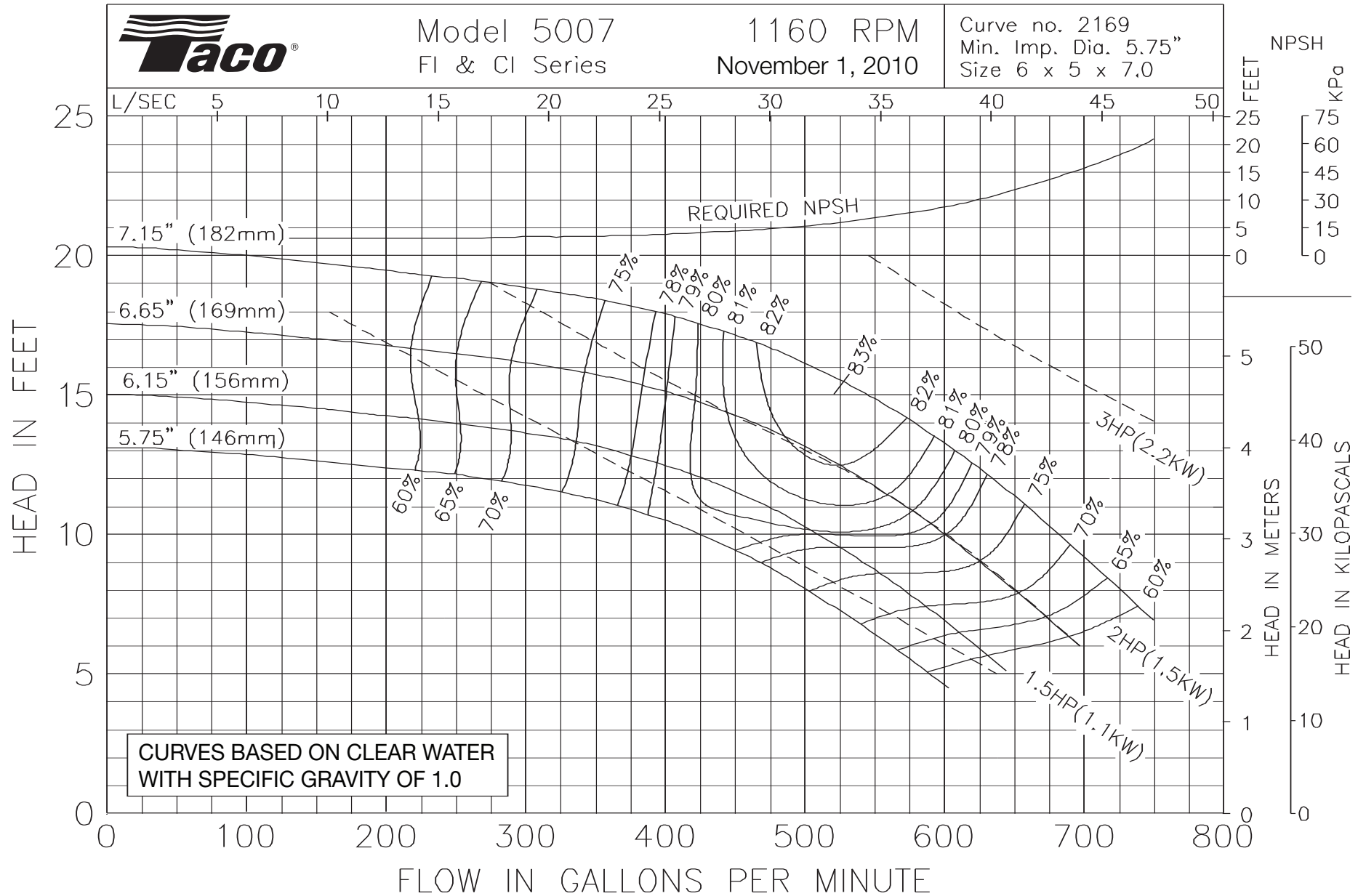




Model 5007  
FI & CI Series

1160 RPM  
November 1, 2010

Curve no. 2169  
Min. Imp. Dia. 5.75"  
Size 6 x 5 x 7.0



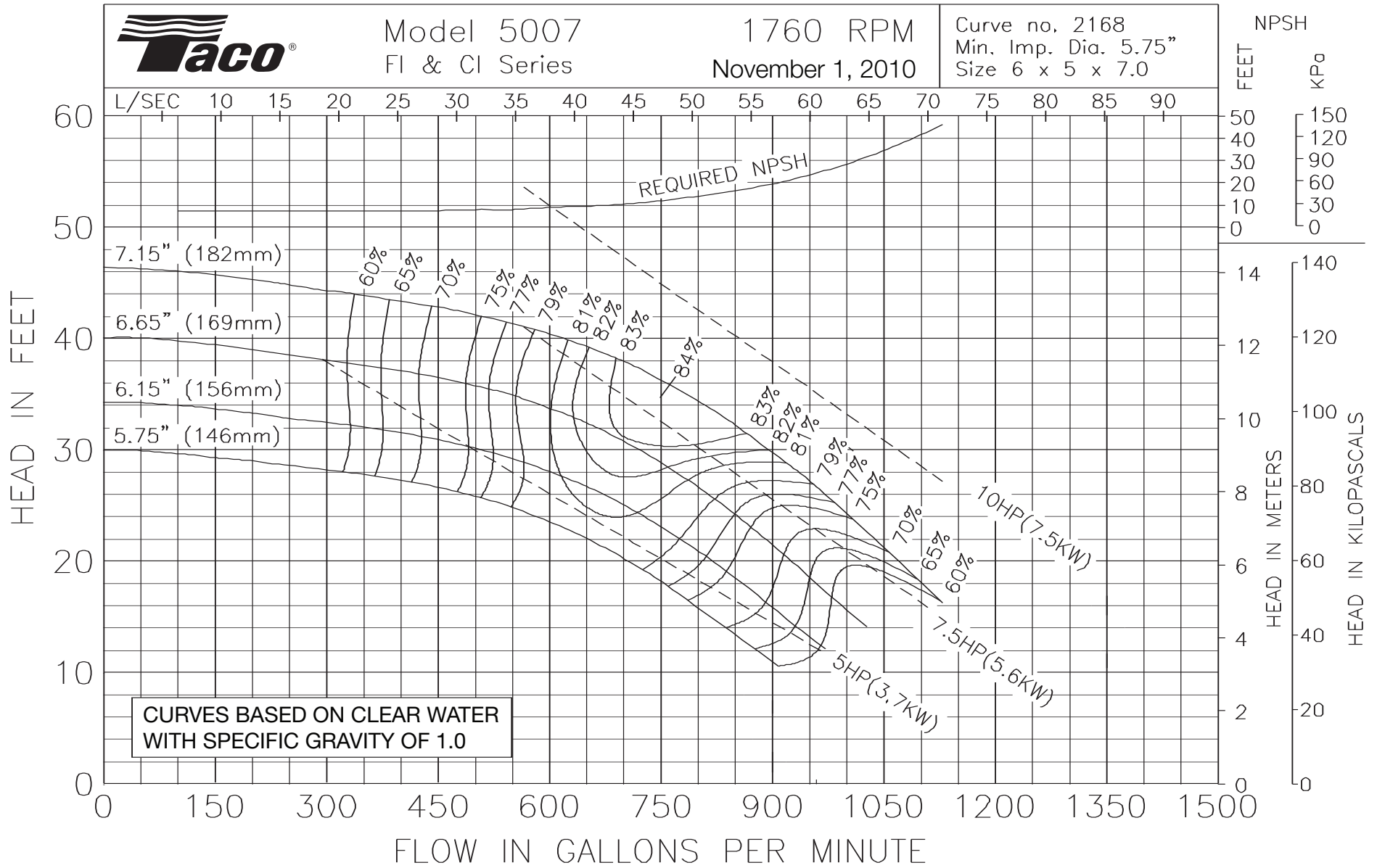


Model 5007  
FI & CI Series

1760 RPM  
November 1, 2010

Curve no. 2168  
Min. Imp. Dia. 5.75"  
Size 6 x 5 x 7.0

NPSH





Model 5007  
FI Series

3500 RPM  
SEPTEMBER 9, 2009

Curve no. 2194  
Min. Imp. Dia. 5.75"  
Size 6 x 5 x 7.0

