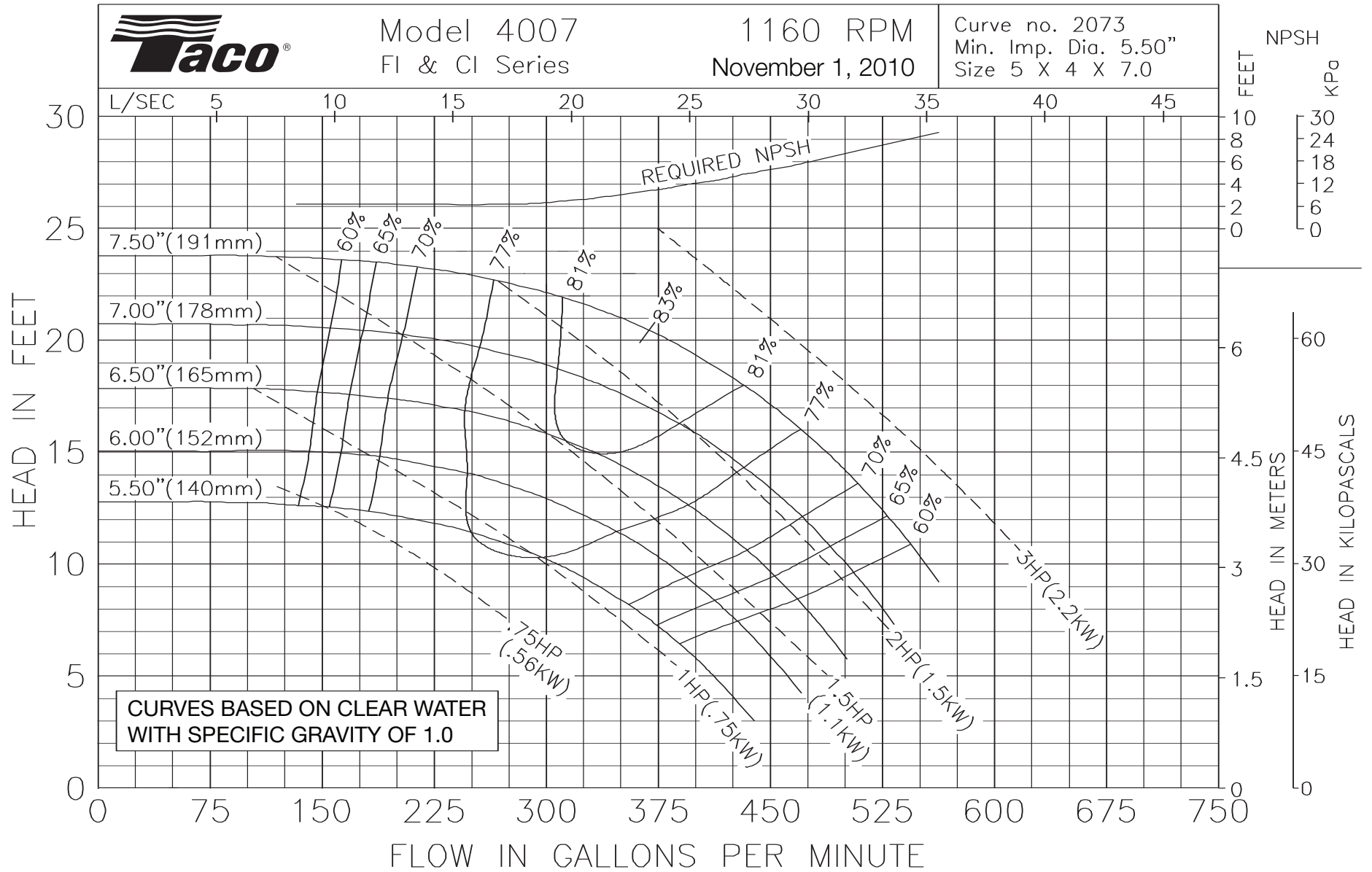




Model 4007  
FI & CI Series

1160 RPM  
November 1, 2010

Curve no. 2073  
Min. Imp. Dia. 5.50"  
Size 5 X 4 X 7.0

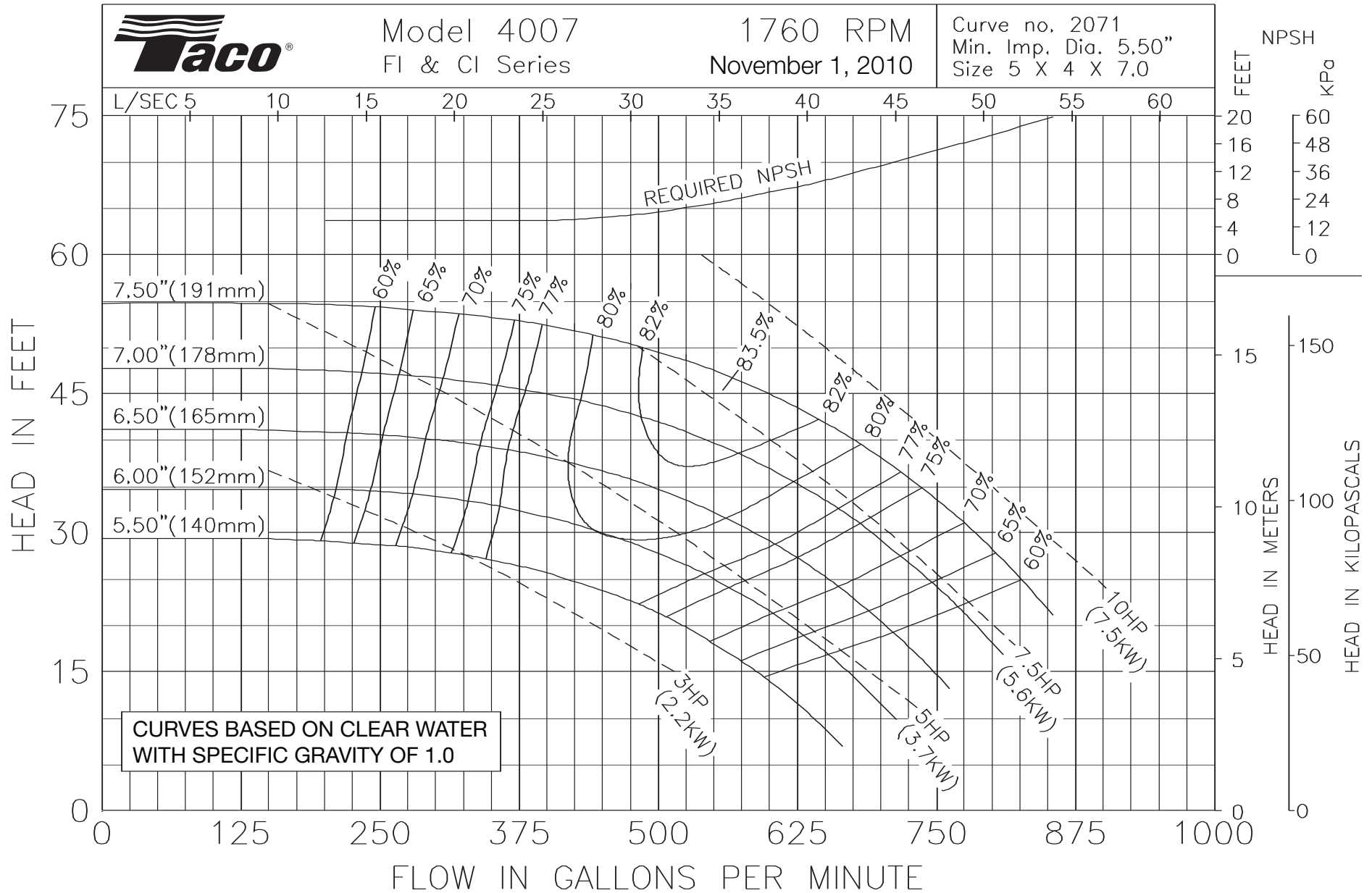




Model 4007  
FI & CI Series

1760 RPM  
November 1, 2010

Curve no. 2071  
Min. Imp. Dia. 5.50"  
Size 5 X 4 X 7.0





Model 4007  
FI & CI Series

3500 RPM  
November 1, 2010

Curve no. 2069  
Min. Imp. Dia. 5.50"  
Size 5 X 4 X 7.0

