



Submittal Data Information

FI Series Pumps

301-1435

EFFECTIVE: NOVEMBER 1, 2010

SUPERSEDES: MARCH 1, 2010

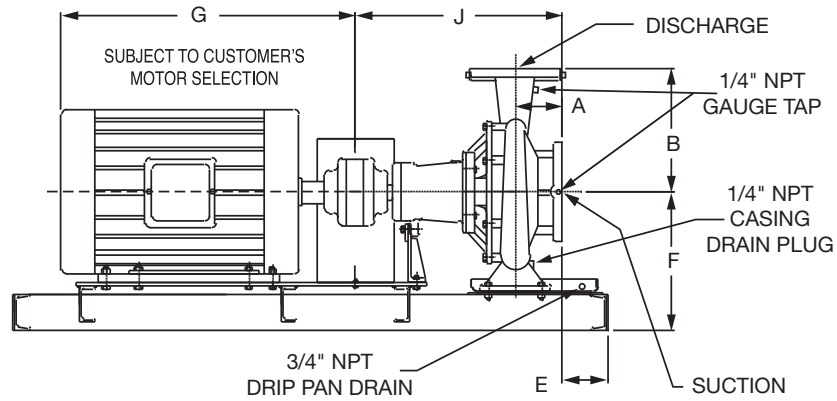
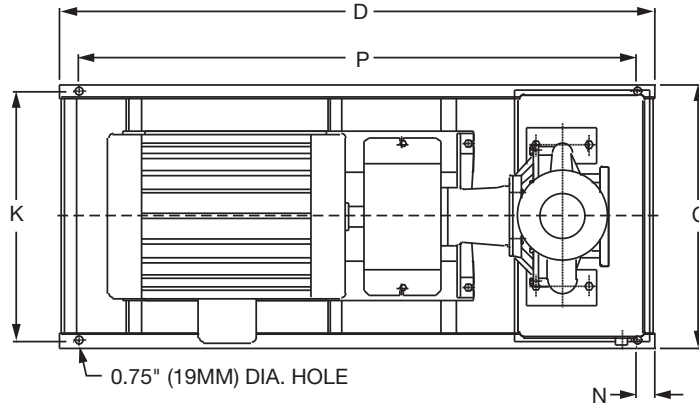
1160 RPM MODEL 2511

JOB _____ ENGINEER _____

CONTRACTOR _____ REP. _____

| ITEM NO. | MODEL NO. | IMPELLER DIA. | G.P.M. | HEAD/FT. | H.P. | ELEC. CHAR. |
|----------|-----------|---------------|--------|----------|------|-------------|
| | | | | | | |

WEIGHT _____ PUMP/MOTOR _____



DIMENSIONS

50 Cycle Performance Curves attached when applicable.

| Model No. Flange Size (Suction x Discharge) | Motor Frame | HP 1160 (RPM) | A | | B | | C | D | E | | F | G | J | | K | N | P |
|---|----------------|---------------------|----------------------|----------------------|----------------------|----------------------|-------------|-------------|----------------------|----------------------|----------------|-------------|----------------------|----------------------|-------------|--------------|-------------|
| | | | ANSI Class 125 | ANSI Class 250 | ANSI Class 125 | ANSI Class 250 | | | ANSI Class 125 | ANSI Class 250 | | | ANSI Class 125 | ANSI Class 250 | | | |
| 2511 3 x 2 1/2 (76 x 64) | 145T | 1 | 4.72 (120) | 5.09 (129) | 11.50 (292) | 11.81 (300) | 19.17 (487) | 52.0 (1321) | 1.55 (39) | 1.17 (30) | 13.19 (335) | 13.00 (330) | 23.31 (592) | 23.68 (598) | 17.67 (449) | 2.00 (50) | 48.0 (1219) |
| | 182T | 1.5 | | | | | 19.17 (487) | 52.0 (1321) | 1.55 (39) | 1.17 (30) | | 15.38 (391) | | | 17.67 (449) | | 48.0 (1219) |
| | 184T | 2 | | | | | 19.17 (487) | 52.0 (1321) | 1.55 (39) | 1.17 (30) | | 16.56 (421) | | | 17.67 (449) | | 48.0 (1219) |
| | 213T | 3 | | | | | 19.17 (487) | 52.0 (1321) | 1.55 (39) | 1.17 (30) | | 17.94 (456) | | | 17.67 (449) | | 48.0 (1219) |
| | 215T | 5 | | | | | 19.17 (487) | 52.0 (1321) | 1.55 (39) | 1.17 (30) | | 18.19 (462) | | | 17.67 (449) | | 48.0 (1219) |

English dimensions are in inches. Metric dimensions are in millimeters. Metric data is presented in ().
Do not use for construction purposes unless certified.

MATERIALS OF CONSTRUCTION

| Item | BRONZE FITTED | | ALL IRON | |
|-----------------|------------------------------|------------------------------|------------------------------|------------------------------|
| | Std. Pump Constr. | Optional | Standard | Optional |
| Casing | Cast Iron ASTM A48 Class 30A | N/A | Cast Iron ASTM A48 Class 30A | N/A |
| Impeller | Bronze ASTM B584-836 | N/A | Cast Iron ASTM A48 Class 30A | N/A |
| Wear Ring | N/A | Bronze ASTM B584-932 SAE660 | N/A | N/A |
| Shaft | Carbon Steel AISI 1045 | St. Steel AISI 416 ASTM A582 | Carbon Steel AISI 1045 | St. Steel AISI 416 ASTM A582 |
| Shaft Sleeve | Bronze ASTM B584-932 SAE660 | St. Steel AISI 303 ASTM A276 | St. Steel AISI 303 ASTM A276 | N/A |
| Mech. Seal | Ceramic/EPT | CF | Ceramic/EPT | CF |
| Seal Flush Line | N/A | Copper | N/A | Stainless Steel |

CF - Consult Factory

N/A - Not Available

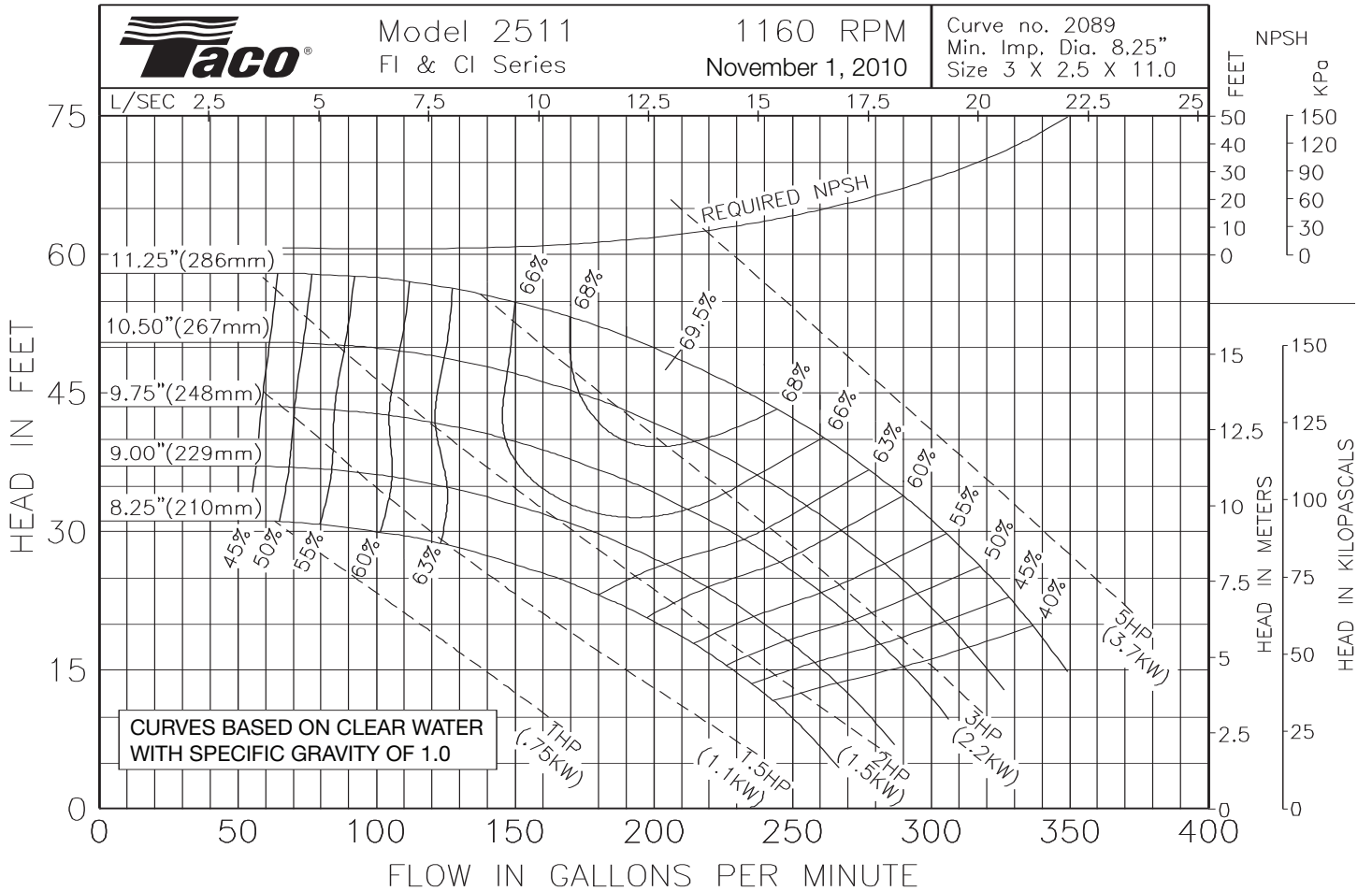
OPERATING SPECIFICATIONS

| | Standard | Optional |
|-------------|----------------------|-----------------------|
| Flange | ANSI Class 125 | ANSI Class 250 |
| Pressure | 175 PSIG* (1210 KPA) | 300 PSIG** (2070 KPA) |
| Temperature | 250°F (120°C) | 250°F (120°C) |

Motors: All NEMA Standard (T Frame)
 * In accordance with ANSI Standard B16.1 Class 125
 ** In accordance with ANSI Standard B16.1 Class 250 Dim.

MAXIMUM ASSEMBLY WEIGHT

| Motor Frame | Weight Lbs (Kg) |
|-------------|-----------------|
| 143T - 145T | 423 (192) |
| 182T - 184T | 473 (215) |
| 213T - 215T | 557 (253) |



Comments:

Do it Once. Do it Right.®

TACO, INC., 1160 Cranston Street, Cranston, RI 02920 Telephone: (401) 942-8000 FAX: (401) 942-2360.
 TACO (Canada), Ltd., 8450 Lawson Road, Unit #3, Milton, Ontario L9T 0J8. Telephone: 905/564-9422. FAX: 905/564-9436.

Visit our web site at: <http://www.taco-hvac.com>

Printed in USA
 Copyright 2010
 TACO, Inc.



Submittal Data Information

FI Series Pumps

301-1436

EFFECTIVE: NOVEMBER 1, 2010

SUPERSEDES: MARCH 1, 2010

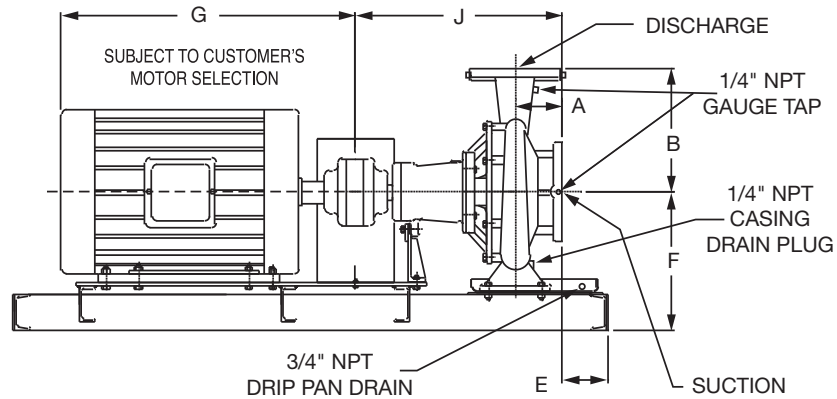
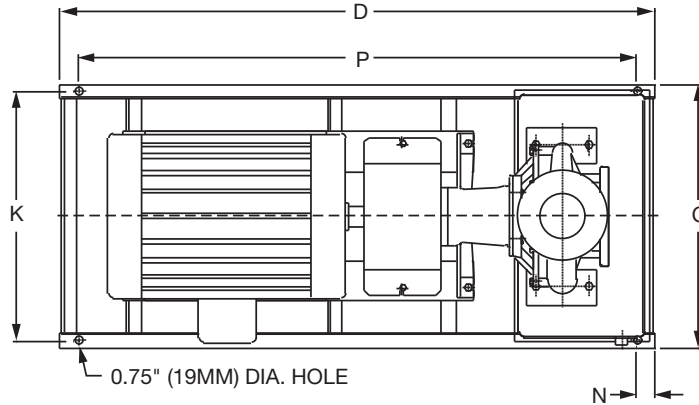
1760 RPM MODEL 2511

JOB _____ ENGINEER _____

CONTRACTOR _____ REP. _____

| ITEM NO. | MODEL NO. | IMPELLER DIA. | G.P.M. | HEAD/FT. | H.P. | ELEC. CHAR. |
|----------|-----------|---------------|--------|----------|------|-------------|
| | | | | | | |

WEIGHT _____ PUMP/MOTOR _____



DIMENSIONS

50 Cycle Performance Curves attached when applicable.

| Model No. Flange Size (Suction x Discharge) | Motor Frame | HP 1760 (RPM) | A | | B | | C | D | E | | F | G | J | | K | N | P |
|---|----------------|---------------------|----------------------|----------------------|----------------------|----------------------|-------------|-------------|----------------------|----------------------|----------------|-------------|----------------------|----------------------|-------------|--------------|-------------|
| | | | ANSI Class 125 | ANSI Class 250 | ANSI Class 125 | ANSI Class 250 | | | ANSI Class 125 | ANSI Class 250 | | | ANSI Class 125 | ANSI Class 250 | | | |
| 2511 3 x 2 1/2 (76 x 64) | 182T | 3 | 4.72 (120) | 5.09 (129) | 11.50 (292) | 11.81 (300) | 19.17 (487) | 52.0 (1321) | 1.55 (39) | 1.17 (30) | 13.19 (335) | 15.38 (391) | 23.31 (592) | 23.68 (598) | 17.67 (449) | 2.00 (50) | 48.0 (1219) |
| | 184T | 5 | | | | | 19.17 (487) | 52.0 (1321) | 1.55 (39) | 1.17 (30) | | 16.56 (421) | | | 17.67 (449) | | 48.0 (1219) |
| | 213T | 7.5 | | | | | 19.17 (487) | 52.0 (1321) | 1.55 (39) | 1.17 (30) | | 17.94 (456) | | | 17.67 (449) | | 48.0 (1219) |
| | 215T | 10 | | | | | 19.17 (487) | 52.0 (1321) | 1.55 (39) | 1.17 (30) | | 18.19 (462) | | | 17.67 (449) | | 48.0 (1219) |
| | 254T | 15 | | | | | 19.17 (487) | 52.0 (1321) | 1.55 (39) | 1.17 (30) | | 21.69 (551) | | | 17.67 (449) | | 48.0 (1219) |

English dimensions are in inches. Metric dimensions are in millimeters. Metric data is presented in ().
Do not use for construction purposes unless certified.

MATERIALS OF CONSTRUCTION

| Item | BRONZE FITTED | | ALL IRON | |
|-----------------|--------------------------------------|--------------------------------------|------------------------------------|------------------------------------|
| | Std. Pump Constr. | Optional | Standard | Optional |
| Casing | Cast Iron ASTM A48 Class 30A | N/A | Cast Iron ASTM A48 Class 30A | N/A |
| Impeller | Bronze ASTM B584-836 | N/A | Cast Iron ASTM A48 Class 30A | N/A |
| Wear Ring | N/A | Bronze ASTM B584-932 SAE660 | N/A | N/A |
| Shaft | Carbon Steel AISI 1045 | St. Steel AISI 416 ASTM A582 | Carbon Steel AISI 1045 | St. Steel AISI 416 ASTM A582 |
| Shaft Sleeve | Bronze ASTM B584-932 SAE660 | St. Steel AISI 303 ASTM A276 | St. Steel AISI 303 ASTM A276 | N/A |
| Mech. Seal | Ceramic/ EPT | CF | Ceramic/ EPT | CF |
| Seal Flush Line | N/A | Copper | N/A | Stainless Steel |

CF - Consult Factory

N/A - Not Available

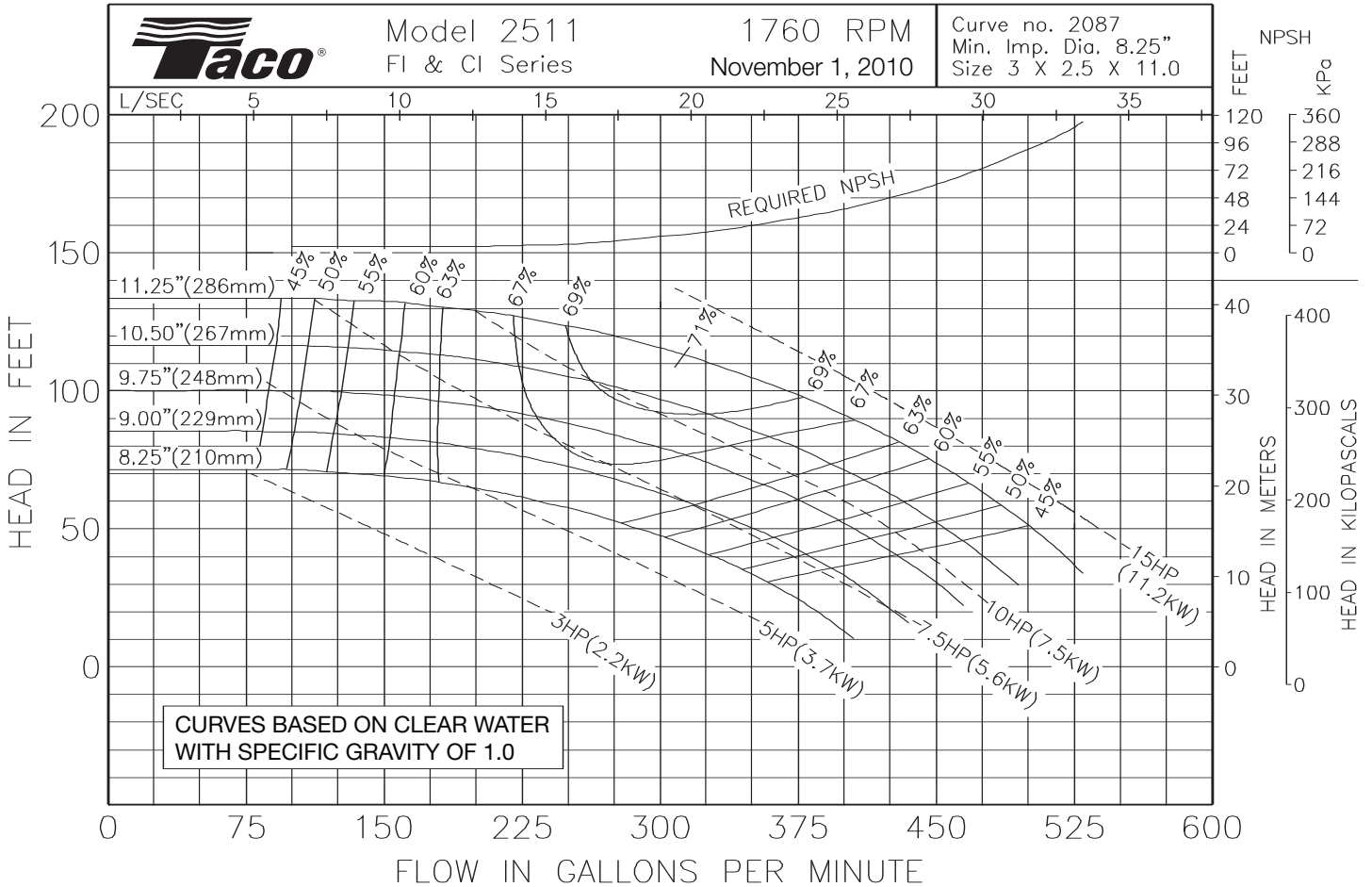
OPERATING SPECIFICATIONS

| | Standard | Optional |
|-------------|-------------------------|--------------------------|
| Flange | ANSI Class 125 | ANSI Class 250 |
| Pressure | 175 PSIG* (1210 KPA) | 300 PSIG** (2070 KPA) |
| Temperature | 250°F (120°C) | 250°F (120°C) |

Motors: All NEMA Standard (T Frame)
 * In accordance with ANSI Standard B16.1 Class 125
 ** In accordance with ANSI Standard B16.1 Class 250 Dim.

MAXIMUM ASSEMBLY WEIGHT

| Motor Frame | Weight Lbs (Kg) |
|-------------|--------------------|
| 182T - 184T | 478 (217) |
| 213T - 215T | 568 (258) |
| 254T - 256T | 619 (281) |



Comments:

Do it Once. Do it Right.®

TACO, INC., 1160 Cranston Street, Cranston, RI 02920 Telephone: (401) 942-8000 FAX: (401) 942-2360.
TACO (Canada), Ltd., 8450 Lawson Road, Unit #3, Milton, Ontario L9T 0J8. Telephone: 905/564-9422. FAX: 905/564-9436.
 Visit our web site at: <http://www.taco-hvac.com>

Printed in USA
 Copyright 2010
 TACO, Inc.