

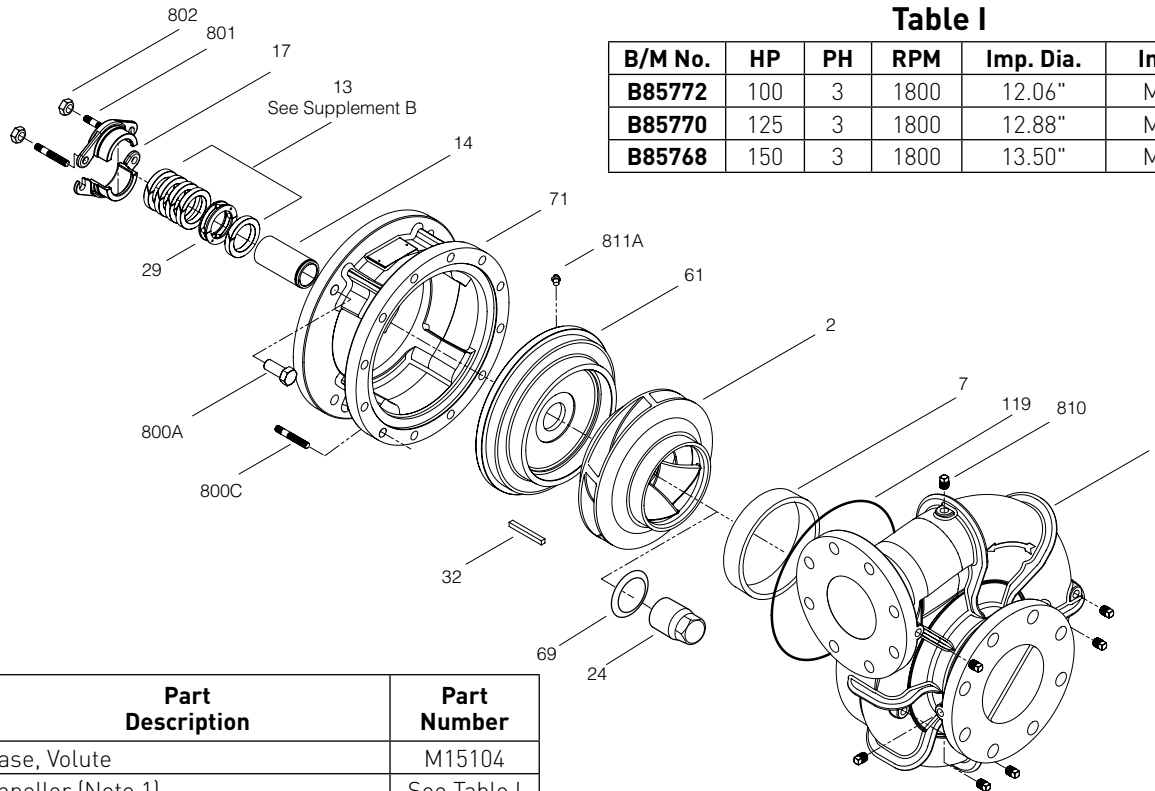
# BERKELEY® B8JPBH

## Cast Iron Impeller

Flanged Case, Packing Construction

### ELECTRIC MOTOR DRIVE

Section	CC
Page	422.1.1
Date	March 4, 2013
Supersedes 06/01/11	



**Table I**

B/M No.	HP	PH	RPM	Imp. Dia.	Imp. No.
<b>B85772</b>	100	3	1800	12.06"	M15646
<b>B85770</b>	125	3	1800	12.88"	M15191
<b>B85768</b>	150	3	1800	13.50"	M15106

Item No.	Part Description	Part Number
1	Case, Volute	M15104
2	Impeller [Note 1]	See Table I
7	Ring, Wearing	M15126
13	Rings, Packing [Set of 6]	S16448
14	Sleeve, Shaft [Note 2]	S29517L
17	Gland, Packing [2 rqd]	M05311
24	Locknut, Impeller	S07829
29	Ring, Lantern	S14330
32	Key, Impeller 1/2 x 2-3/8" 150HP	M15123
32A	Key, Impeller 3/8 x 2" 100 & 125HP	M15124
61	Plate, Seal	M15111
69	Washer, Impeller	M15232
71	Bracket	See Table II
119	O-Ring	M15130
800A	Capscrew, 5/8 - 11 x 1-1/2" [8 rqd]	S28427
800C	Stud [12 rqd]	M15388
801	Stud, 1/2 - 13 x 2-1/2" [2 rqd]	S24358
*	Nut, Hex [12 rqd]	S23109
802	Nut, Hex, Lock, 1/2 - 13 [2 rqd]	S23347
810	Plug, Pipe [7 rqd]	S23717
811A	Fitting, Grease	S23700
*	Slinger, Water	M15129

**Table II**

HP	PH	Bracket No.	"AK" Fit	"U" Dim.	Motor Frame
100	3	M15114	12.5"	1.625"	404TCZ
125	3	M15114	12.5"	1.625"	405TCZ
150	3	M15113	16.0"	2.1875"	444TY

**NOTE 1:** Impeller kit **B85813** includes items 2, 24, 32, 69, 119. Impeller (Ref. 2) is full diameter.

**NOTE 2:** Shaft sleeve kit **B85812** includes items 14, 24, 32, 69, 119, adhesive and instruction sheet.

\* Not illustrated.



# BERKELEY® B8JPBH

## Cast Iron Impeller

Flanged Case, Packing Construction

### ELECTRIC MOTOR DRIVE

Section	CC
Page	422.1.2
Date	March 4, 2013
Supersedes 06/01/11	

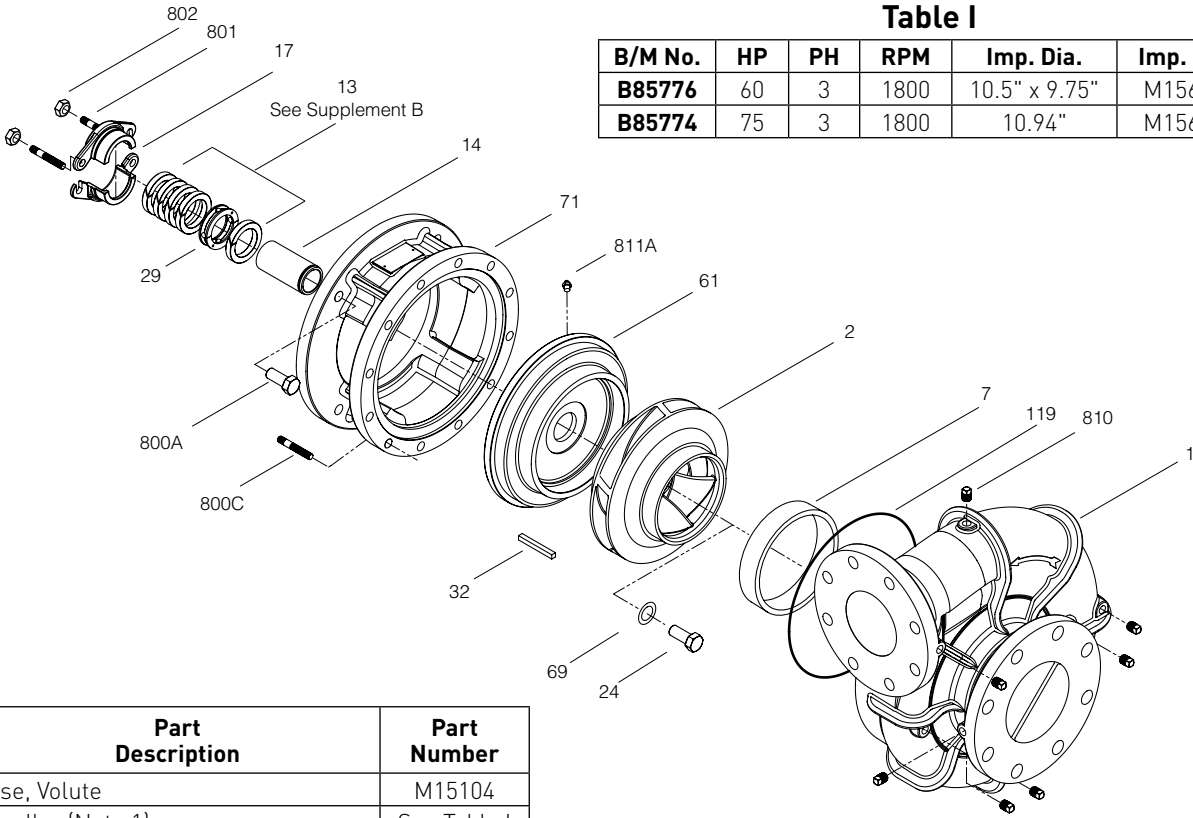


Table I

B/M No.	HP	PH	RPM	Imp. Dia.	Imp. No.
B85776	60	3	1800	10.5" x 9.75"	M15648
B85774	75	3	1800	10.94"	M15647

Item No.	Part Description	Part Number
1	Case, Volute	M15104
2	Impeller (Note 1)	See Table I
7	Ring, Wearing	M15126
13	Rings, Packing (Set of 5)	S13437
14	Sleeve, Shaft (Note 2)	M15120
17	Gland, Packing (2 rqd)	M13598
24	Capscrew, Impeller	S23623
29	Ring, Lantern	S19198
32	Key, Impeller 3/8 x 3/8 x 2"	M15124
61	Plate, Seal	M15112
69	Washer, Impeller	M15231
71	Bracket	See Table II
119	O-Ring	M15130
800A	Capscrew, 5/8 - 11 x 1-1/2" (8 rqd)	S28427
800C	Stud (12 rqd)	M15388
801	Stud, 3/8 - 16 x 2" (2 rqd)	S24335
*	Nut, Hex (12 rqd)	S23109
802	Nut, Hex, Lock, 3/8 - 16 (2 rqd)	S23343
810	Plug, Pipe	S23717
811A	Fitting, Grease	S23700
*	Slinger, Water	M15128

6420 0511

Table II

HP	PH	Bracket No.	"AK" Fit	"U" Dim.	Motor Frame
60	3	M15114	12.5"	1.625"	364JP
75	3	M15114	12.5"	1.625"	365TCZ

**NOTE 1:** Impeller kit **B85823** includes items 2, 24, 32, 69, 119. Impeller (Ref. 2) is full diameter.

**NOTE 2:** Shaft sleeve kit **B85815** includes items 14, 24, 32, 69, 119, adhesive and instruction sheet.

\* Not illustrated.



# BERKELEY® B8JPBHS

## Cast Iron Impeller

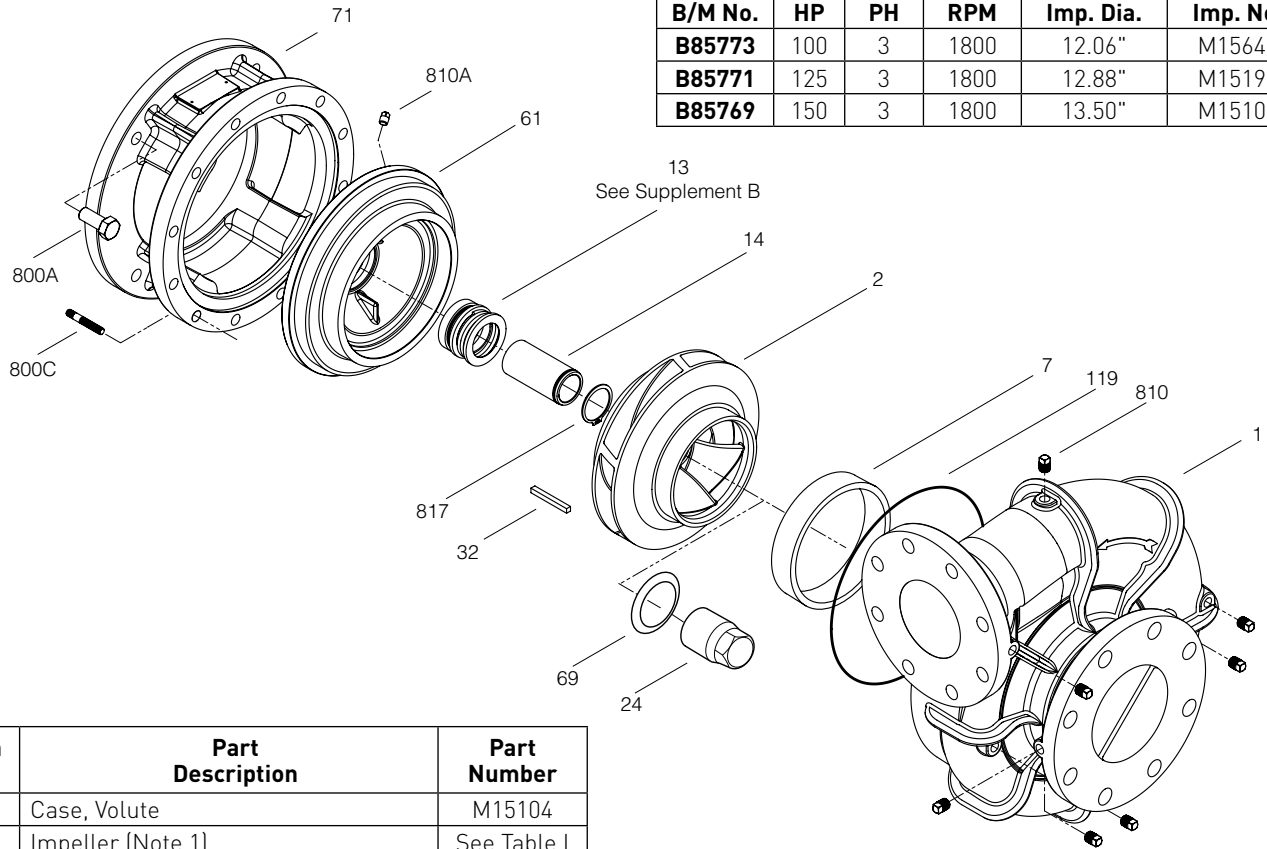
Flanged Case, Mechanical Shaft Seal Construction

## ELECTRIC MOTOR DRIVE

Section	CC
Page	422.2.1
Date	March 4, 2013
Supersedes 06/01/11	

**Table I**

B/M No.	HP	PH	RPM	Imp. Dia.	Imp. No.
<b>B85773</b>	100	3	1800	12.06"	M15646
<b>B85771</b>	125	3	1800	12.88"	M15191
<b>B85769</b>	150	3	1800	13.50"	M15106



Item No.	Part Description	Part Number
1	Case, Volute	M15104
2	Impeller (Note 1)	See Table I
7	Ring, Wearing	M15126
13	Seal, Shaft	S32697
14	Sleeve, Shaft (Note 2)	S29517L
24	Locknut, Impeller	S07829
32	Key, Impeller 1/2 x 2-3/8" 150HP	M15123
32A	Key, Impeller 3/8 x 2" 100 & 125HP	M15124
61	Plate, Seal	M15108
69	Washer, Impeller	M15232
71	Bracket	See Table II
119	O-Ring	M15130
800A	Screw, 5/8 - 11 x 1-3/4" (8 rqd.)	S28427
800C	Stud (12 rqd)	M15388
*	Nut, Hex (12 rqd)	S23109
810	Plug, Pipe 1/2 NPT (7 rqd)	S23717
810A	Plug, Pipe	S23714
817	Ring, Retaining	S29519
*	Slinger, Water	M15129

**Table II**

HP	PH	Bracket No.	"AK" Fit	"U" Dim.	Motor Frame
100	3	M15114	12.5"	1.625"	404TCZ
125	3	M15114	12.5"	1.625"	405TCZ
150	3	M15113	16.0"	2.1875"	444TCY

**NOTE 1:** Impeller kit **B85813** includes items 2, 24, 32, 69, 119. Impeller (Ref. 2) is full diameter.

**NOTE 2:** Shaft sleeve kit **B85812** includes items 14, 24, 32, 69, 119, adhesive and instruction sheet.

\* Not illustrated.



# BERKELEY® B8JPBHS

## Cast Iron Impeller

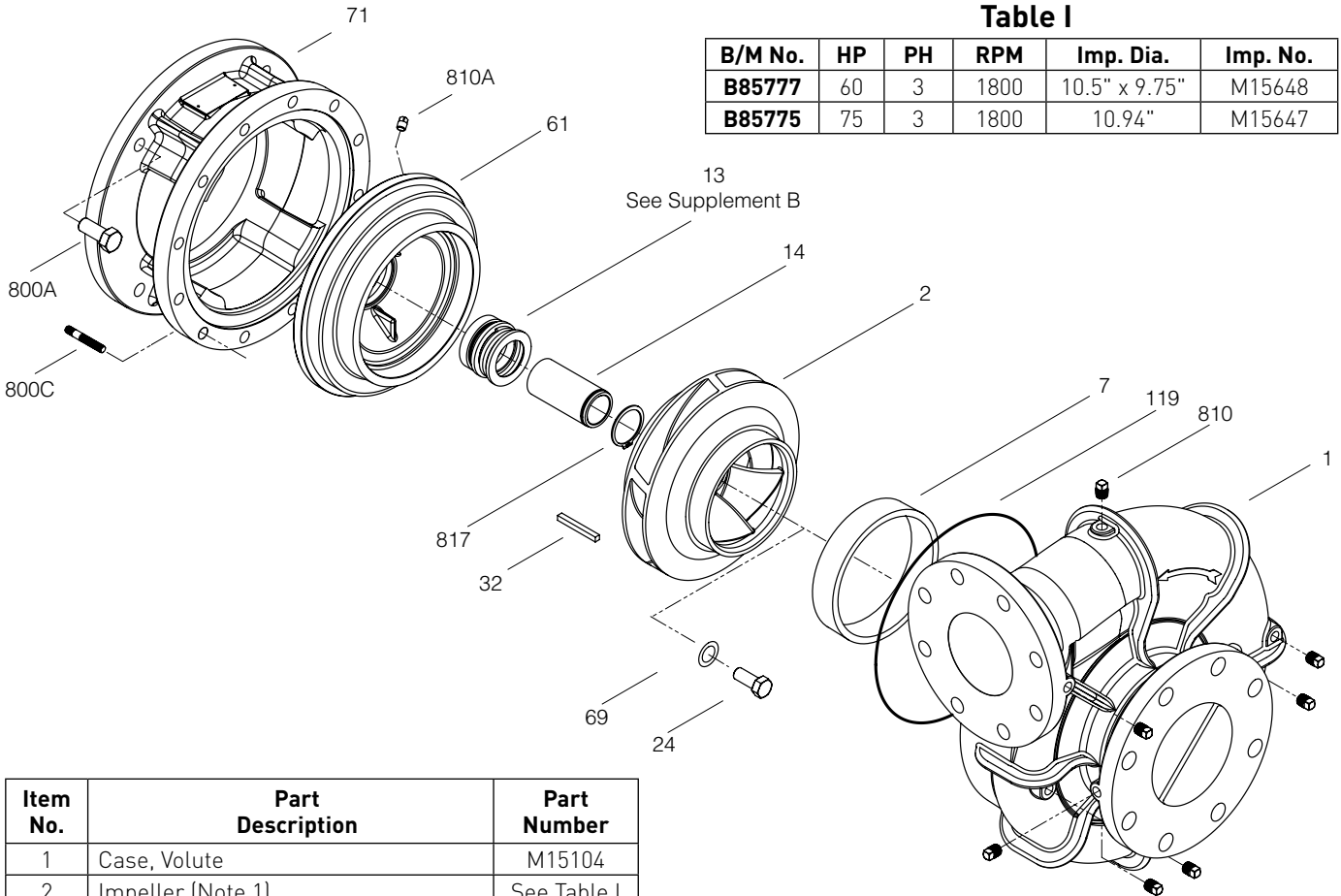
Flanged Case, Mechanical Shaft Seal Construction

### ELECTRIC MOTOR DRIVE

Section	CC
Page	422.2.2
Date	March 4, 2013
Supersedes 06/01/11	

**Table I**

B/M No.	HP	PH	RPM	Imp. Dia.	Imp. No.
<b>B85777</b>	60	3	1800	10.5" x 9.75"	M15648
<b>B85775</b>	75	3	1800	10.94"	M15647



6421 0511

Item No.	Part Description	Part Number
1	Case, Volute	M15104
2	Impeller (Note 1)	See Table I
7	Ring, Wearing	M15126
13	Seal, Shaft	S32016
14	Sleeve, Shaft (Note 2)	M15120
24	Capscrew, Impeller	S23623
32	Key, 3/8 x 2-3/8"	M15124
61	Plate, Seal	M15109
69	Washer, Impeller	M15231
71	Bracket	See Table II
119	O-Ring	M15130
800A	Capscrew, 5/8 - 11 x 1-1/2" (8 reqd.)	S28427
800C	Stud (12 reqd)	M15388
*	Nut, Hex (12 reqd)	S23109
810	Plug, Pipe 1/2 NPT	S23717
810A	Plug, Pipe	S23714
817	Ring, Retaining	M15131
*	Slinger, Water	M15128

**Table II**

HP	PH	Bracket No.	"AK" Fit	"U" Dim.	Motor Frame
60	3	M15114	12.5"	1.625"	364JP
75	3	M15114	12.5"	1.625"	365TCZ

**NOTE 1:** Impeller kit **B85823** includes items 2, 24, 32, 69, 119. Impeller (Ref. 2) is full diameter.

**NOTE 2:** Shaft sleeve kit **B85815** includes items 14, 24, 32, 69, 119, adhesive and instruction sheet.

\* Not illustrated.



# BERKELEY® B8JQBH

## Cast Iron Impeller

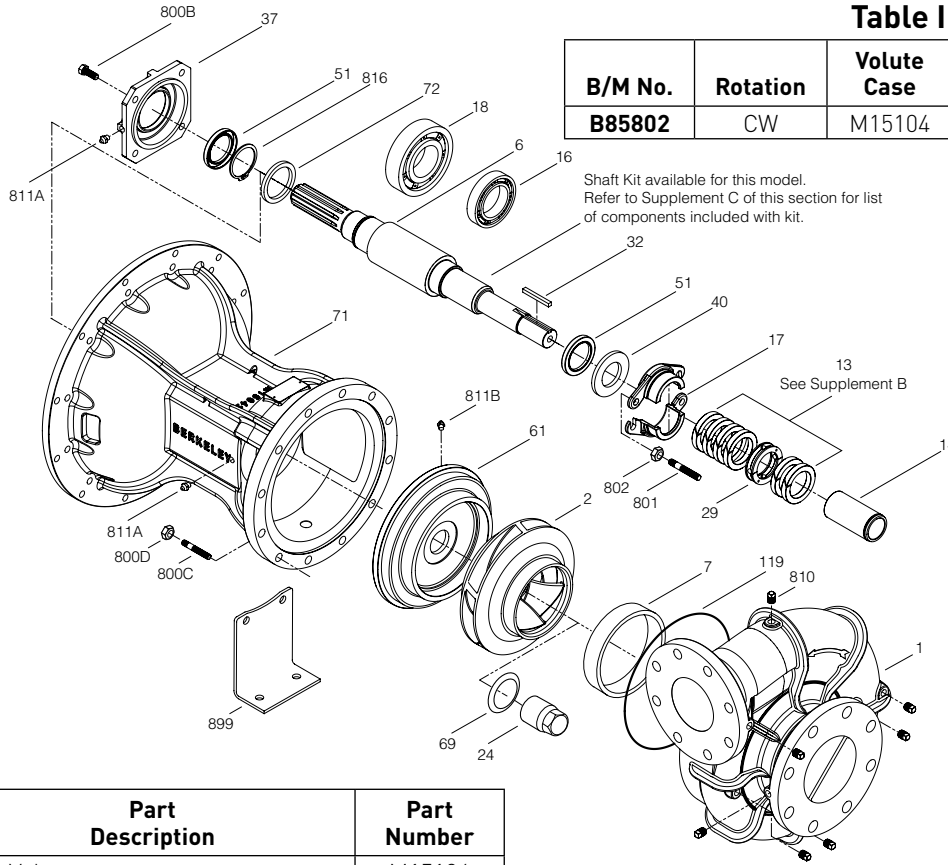
Flanged Case, Packing Construction

SAE ENGINE MOUNT

Section	SAE
Page	254.1
Date	March 4, 2013
Supersedes 06/01/11	

Table I

B/M No.	Rotation	Volute Case	Impeller	Impeller Diameter
B85802	CW	M15104	M15106	13.50"



Item No.	Part Description	Part Number
1	Case, Volute	M15104
2	Impeller (Note 1)	M15106
6	Shaft (Note 2)	M15118
7	Ring, Wearing	M15126
13	Ring, Packing [Set of 6]	S16448
14	Sleeve, Shaft (Note 3)	S29517L
16	Bearing, Ball (Note 2)	M15133
17	Gland, Packing [2 rqd]	M05311
18	Bearing, Ball (Note 2)	M15132
24	Locknut, Impeller (Note 1,3)	S07829
29	Ring, Lantern	S14330
32	Key, 1/2x1/2x2-3/4" (Note 1,3)	M15123
37	Bearing Cap	M15119
40	Slinger, Water (Note 2)	M15129
51	Seal, Grease [2 rqd]	M15135
61	Plate, Seal	M15111
69	Washer, Impeller (Note 1,3)	M15232
71	Bracket	M15116
72	Ring, Thrust (Note 2)	M15202
119	O-Ring (Note 1,3)	M15130

Item No.	Part Description	Part Number
800B	Capscrew, 1/2-13x1.5" [4 rqd]	S23623
800C	Stud, 5/8-11x2-1/2" [12 rqd]	M15388
800D	Nut, Hex 5/8-11 [12 rqd]	S23490
801	Stud, 1/2-13x2-1/2" [2 rqd]	S24358
802	Nut, Hex 1/2-13 [2 rqd]	S23347
810	Plug, Pipe [7 rqd]	S23717
811A	Fitting, Grease [2 rqd]	S23670
811B	Fitting, Grease	S23700
816	Ring, Retaining (Note 2)	M15134
899	Pump Support	M15588

**NOTE 1:** Impeller Kit **B85813** includes items 2, 24, 32, 69, 119.

**NOTE 2:** Shaft Replacement Kit **B85675** available for this model. Pump Shaft sold in shaft replacement kit only.

**NOTE 3:** Shaft Sleeve Kit **B85812** includes item 14, adhesive and instruction sheet.



# BERKELEY® B8JQBHS

SAE ENGINE MOUNT

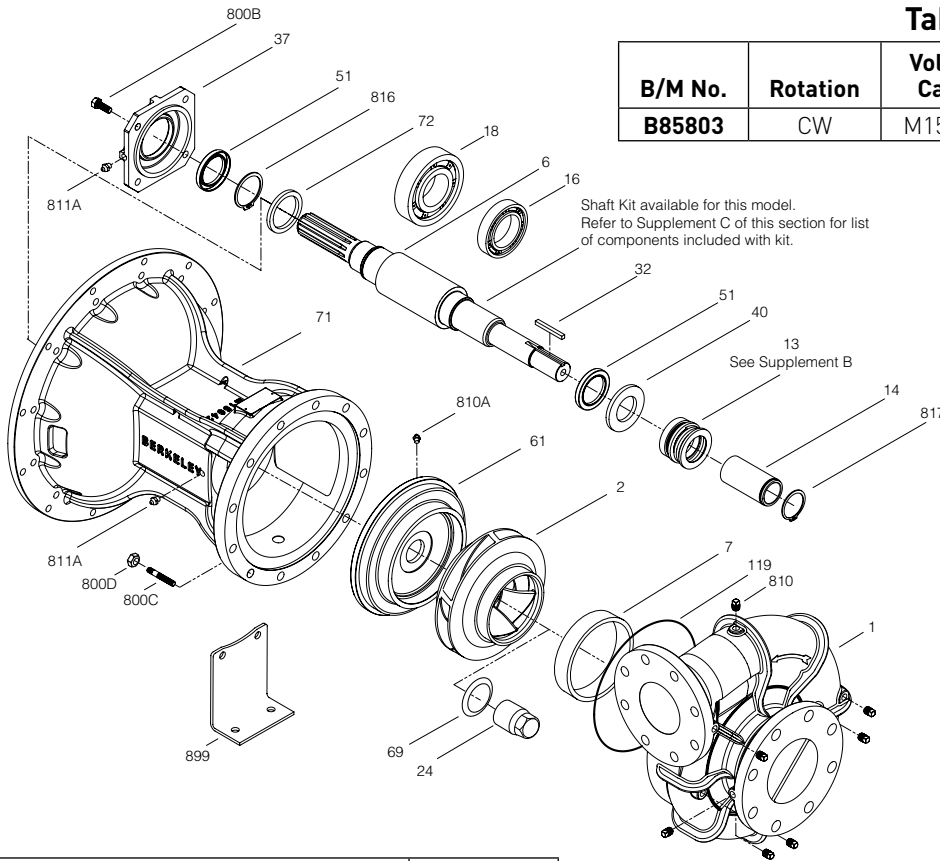
## Cast Iron Impeller

Flanged Case, Packing Construction

Section	SAE
Page	254.2
Date	March 4, 2013
Supersedes 06/01/11	

**Table I**

B/M No.	Rotation	Volute Case	Impeller	Impeller Diameter
B85803	CW	M15104	M15106	13.50"



6417 0511

Item No.	Part Description	Part Number
1	Case, Volute	M15104
2	Impeller [Note 1]	M15106
6	Shaft [Note 2]	M15118
7	Ring, Wearing	M15126
13	Seal, Mechanical	S32697
14	Sleeve, Shaft [Note 3]	S29517L
16	Bearing, Ball [Note 2]	M15133
18	Bearing, Ball [Note 2]	M15132
24	Locknut, Impeller [Note 1,3]	S07829
32	Key, 1/2x1/2x2-3/4" [Note 1,2,3]	M15123
37	Bearing Cap	M15119
40	Slinger, Water [Note 2]	M15129
51	Seal, Grease [2 rqd]	M15135
61	Plate, Seal	M15108
69	Washer, Impeller [Note 1,3]	M15232
71	Bracket	M15116
72	Ring, Thrust [Note 2]	M15202
119	O-Ring [Note 1,3]	M15130

Item No.	Part Description	Part Number
800B	Capscrew, 1/2-13x1.5" [4 rqd]	S23623
800C	Stud, 5/8-11x2-1/2" [12 rqd]	M15388
800D	Nut, Hex 5/8-11 [12 rqd]	S23109
810	Plug, Pipe [7 rqd]	S23717
810A	Plug, Pipe	S23714
811A	Fitting, Grease [2 rqd]	S23670
816	Ring, Retaining [Note 2]	M15134
817	Ring, Retaining	S29519
899	Pump Support	M15588

**NOTE 1:** Impeller Kit **B85813** includes items 2, 24, 32, 69, 119.

**NOTE 2:** Shaft Replacement Kit **B85675** available for this model. Pump Shaft sold in shaft replacement kit only.

**NOTE 3:** Shaft Sleeve Kit **B85812** includes item 14, adhesive and instruction sheet.



# BERKELEY® B8JRBH

## Cast Iron Impeller

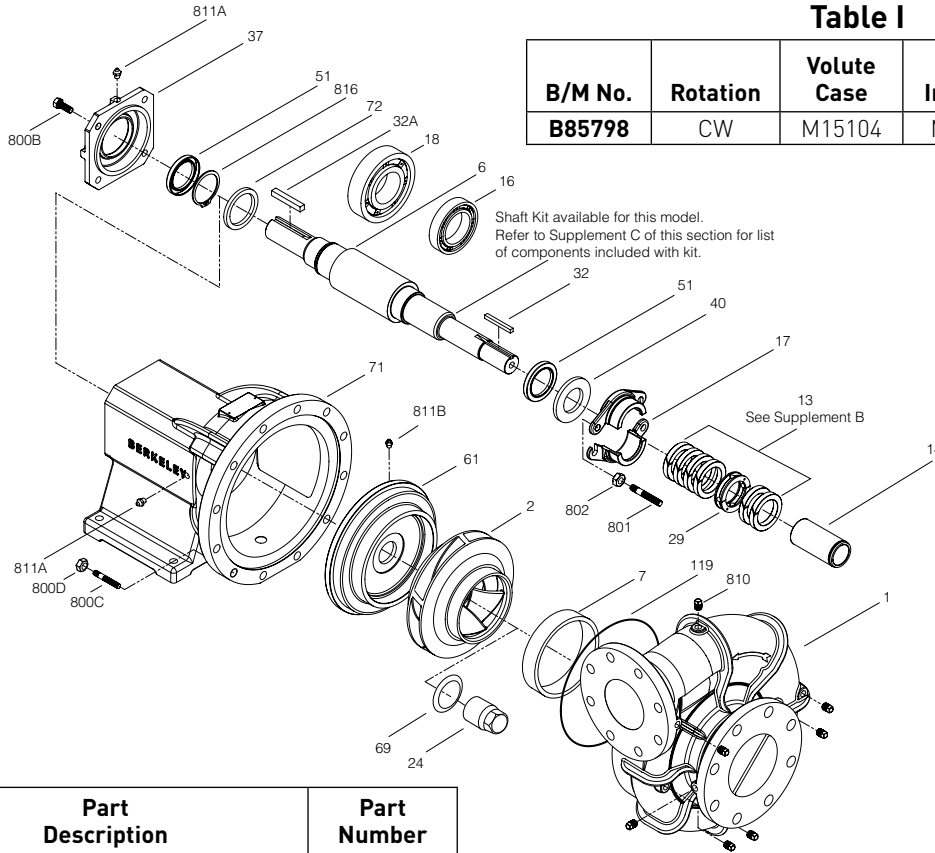
Power Frame Case, Packing Construction

### BEARING FRAME MOUNT

Section	FM
Page	324.1
Date	March 4, 2013
Supersedes 06/01/11	

Table I

B/M No.	Rotation	Volute Case	Impeller	Impeller Diameter
B85798	CW	M15104	M15106	13.50"



Item No.	Part Description	Part Number
1	Case, Volute	M15104
2	Impeller (Note 1)	M15106
6	Shaft (Note 2)	M15117
7	Ring, Wearing	M15126
13	Ring, Packing (Set of 6)	S16448
14	Sleeve, Shaft (Note 3)	S29517L
16	Bearing, Ball (Note 2)	M15133
17	Gland, Packing (2 rqd)	M05311
18	Bearing, Ball (Note 2)	M15132
24	Locknut, Impeller (Note 1,3)	S07829
29	Ring, Lantern	S14330
32	Key, 1/2x1/2x2-3/4" (Note 1.3)	M15123
32A	Key, 1/2x1/2x2-3/8" (Note 2)	M15203
37	Bearing Cap	M15119
40	Slinger, Water (Note 2)	M15129
51	Seal, Grease (2 rqd)	M15135
61	Plate, Seal	M15111
69	Washer, Impeller (Note 1,3)	M15232
71	Bracket	M15115
72	Ring, Thrust (Note 2)	M15202

Item No.	Part Description	Part Number
119	O-Ring (Note 1,3)	M15130
800B	Capscrew, 1/2-13x1.5" (4 rqd)	S23623
800C	Stud, 5/8-11x2-1/2" (12 rqd)	M15388
800D	Nut, Hex 5/8-11 (12 rqd)	S23109
801	Stud, 1/2-13x2-1/2" (2 rqd)	S24358
802	Nut, Hex 1/2-13 (2 rqd)	S23347
810	Plug, Pipe	S23717
811A	Fitting, Grease (2 rqd)	S23670
811B	Fitting, Grease	S23700
816	Ring, Retaining (Note 2)	M15134

**NOTE 1: Impeller Kit B85813** includes items 2, 24, 32, 69, 119.

**NOTE 2: Shaft Replacement Kit B85676** available for this model. Pump Shaft sold in shaft replacement kit only.

**NOTE 3: Shaft Sleeve Kit B85812** includes item 14, adhesive and instruction sheet.

# BERKELEY® B8JRBHS

## Cast Iron Impeller

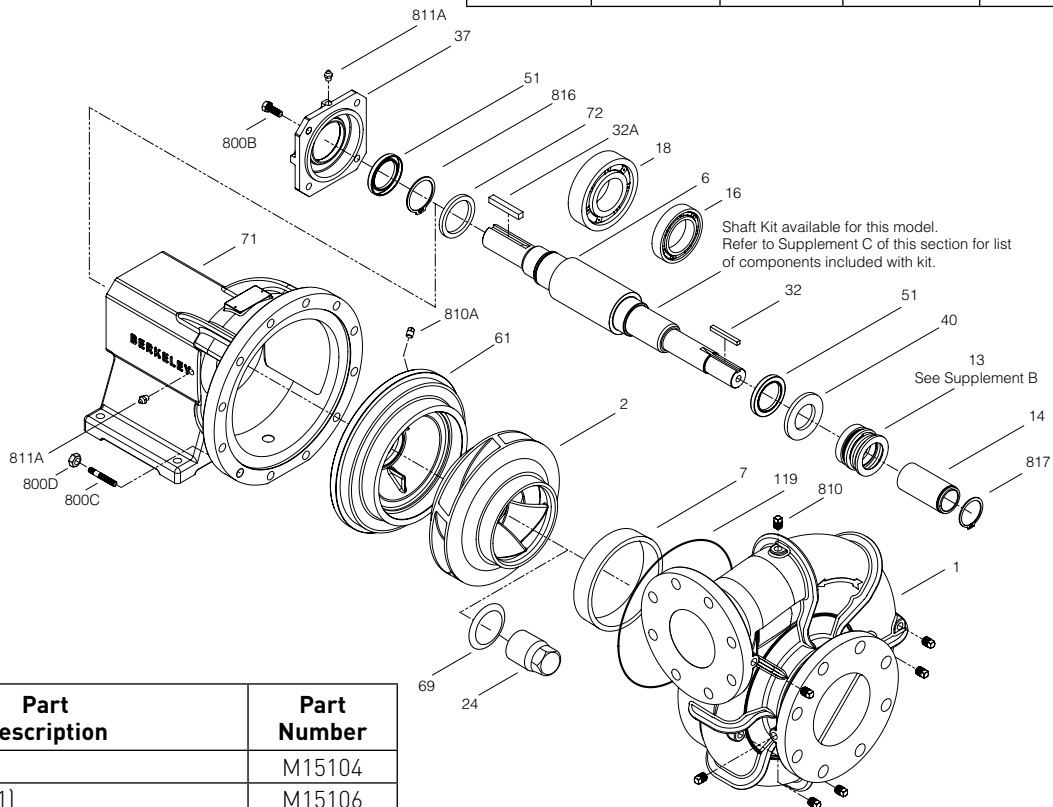
Power Frame Case, Mechanical Shaft Seal Construction

### BEARING FRAME MOUNT

Section	FM
Page	324.2
Date	March 4, 2013
Supersedes 06/01/11	

Table I

B/M No.	Rotation	Volute Case	Impeller	Impeller Diameter
B85799	CW	M15104	M15106	13.5"



6415 0511

Item No.	Part Description	Part Number
1	Case, Volute	M15104
2	Impeller (Note 1)	M15106
6	Shaft (Note 2)	M15117
7	Ring, Wearing	M15126
13	Seal, Mechanical	S32697
14	Sleeve, Shaft (Note 3)	S29517L
16	Bearing, Ball (Note 2)	M15133
18	Bearing, Ball (Note 2)	M15132
24	Locknut, Impeller (Note 1,3)	S07829
32	Key, 1/2x1/2x2-3/4" (Note 1,3)	M15123
32A	Key, 1/2x1/2x2-3/8" (Note 2)	M15203
37	Bearing Cap	M15119
40	Slinger, Water (Note 2)	M15129
51	Seal, Grease	M15135
61	Plate, Seal	M15108
69	Washer, Impeller (Note 1,3)	M15232
71	Bracket	M15115
72	Ring, Thrust (Note 2)	M15202
119	O-Ring (Note 1,3)	M15130

Item No.	Part Description	Part Number
800B	Capscrew, 1/2-13x1.5" (4 rqd)	S23623
800C	Stud, 5/8-11x2-1/2" (12 rqd)	M15388
800D	Nut, Hex 5/8-11 (12 rqd)	S23109
810	Plug, Pipe (7 rqd)	S23717
810A	Plug, Pipe	S23714
811A	Fitting, Grease (2 rqd)	S23670
816	Ring, Retaining (Note 2)	M15134
817	Ring, Retaining	S29519

**NOTE 1: Impeller Kit B85813** includes Refs 2, 24, 32, 69, 119.

**NOTE 2: Shaft Replacement Kit B85676** available for this model. Pump Shaft sold in shaft replacement kit only.

**NOTE 3: Shaft Sleeve Kit B85812** includes Ref 14, adhesive and instruction sheet.

