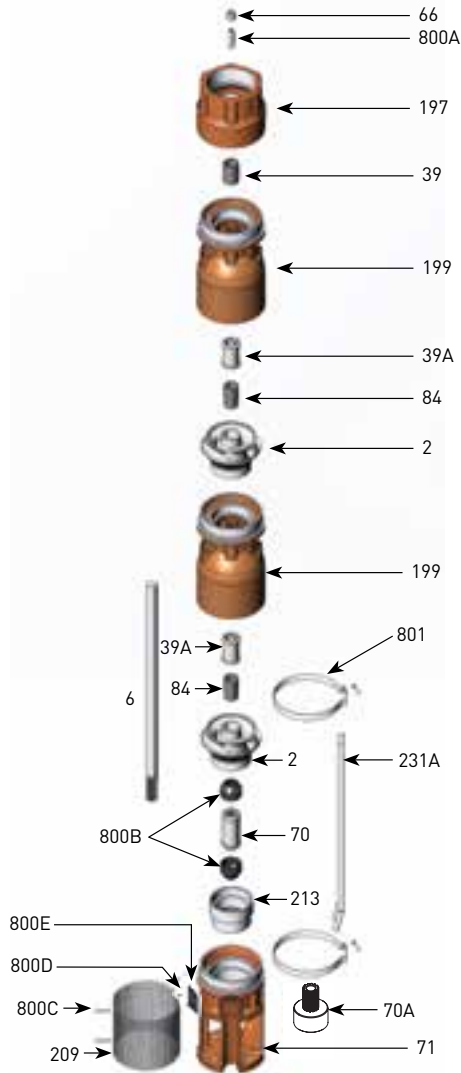


BERKELEY® 6TMH SERIES

300 GPM, 60HZ, NPT

Section	ST-6TMH
Page	1.0
Date	July 15, 2015
Supersedes	September 8, 2014



Item Number	Part Number	Description	Required Qty
2	See Table 3	Impeller	1 per stage
6	See Table 4	Shaft	1
39	M15886	Vesconite® Bearing	1
39A	S13636	Neoprene Bearing	1 per stage
66	M15881	Upthrust Nut, 1/2-13 LH	1
70	M15872	6" Motor Coupling	1
70A	M15847	4" Motor Coupling	1
71	M15869	6TMH 4"/6" Motor Suction Bracket	1
84	S05301	1" Collet	1 per stage
199	B86169	6TMH-300 Bowl (includes Neoprene Bearing)	1 per stage
197	M15868	6TMH Discharge, 4" NPT	1
209	M15870	Suction Screen	1
213	M15877	Intake Adapter Insert	1
231A	30866000	Cable Guard, 12' material	1
800A	M15882	Upthrust Screw, 1/2-13 LH	1
800B	M15874	Sand Boot	2
800C	M15937	Screen Screw, 8-32 x 3/8 Panhead	2
800D	M10199	Rivet, 3/32	2
800E	M09653	Nameplate	1
801	M15879	6TMH Cable Guard Clamp	2
not shown	M09970	Tag, Upthrust Adjustment	1
not shown	B86187	Bolt Kit, 6" Motor	1
not shown	M15847	Adapter Kit, 4" Motor	1
not shown	BE972	Owner's Manual	1

Note 1: Motor bracket is dual machined for 4" and 6" motors.
 Note 2: B86185 includes 39, 66, 197, 800A.

Item Number	Part Number	Description	Required Qty
39A	S13636	Neoprene Bearing	1 per stage
	S10708	Bronze Bearing	
199	B86169	6TMH-300 Bowl (includes Neoprene Bearing)	1 per stage
84	S05301	1" Collet	1 per stage
2	See Table 3	Impeller	1 per stage

Note 3: Bronze bearing may be used in place of the standard Neoprene Bearing.

Item Number	Part Number	Description	Required Qty
2	M15860	6TMH-300 "A" Impeller 5.250"	See Table 4
2	M15861	6TMH-300 "B" Impeller 5.000"	
2	M15862	6TMH-300 "C" Impeller 4.750"	

Series*	HP/kW	Stages	"A" Trim	"B" Trim	"C" Trim	416 SS shaft		Ion-nitride shaft		Shaft Length (in/mm)	Cable Guard Length ⁶	Assembled pump length (motor not included)
						Pump catalog number	416 SS Shaft p/n ⁵	Pump catalog number	Ion Nitride Shaft p/n ⁵			
6TMH5-300	5/3.7	1		1		B86199	M15916	B86199N	M15947	11.75" / 298mm	9.5" / 241mm	17.15" / 436mm
6TMH7.5-300	7.5/5.6	1	1			B86200	M15916	B86200N	M15947	11.75" / 298mm	9.5" / 241mm	17.15" / 436mm
6TMH10-300	10/7.5	2		2		B86201	M15917	B86201N	M15948	18.25" / 464mm	16" / 406mm	23.65" / 601mm
6TMH15-300	15/11.2	2	2			B86202	M15917	B86202N	M15948	18.25" / 464mm	16" / 406mm	23.65" / 601mm
6TMH15-300	15/11.2	3	1	1	1	B86203	M15918	B86203N	M15949	24.75" / 629mm	22.5" / 572mm	30.15" / 766mm
6TMH20-300	20/14.9	4	2	1	1	B86867	M15919	B86867N	M15950	31.25" / 794mm	29" / 737mm	36.65" / 931mm
6TMH25-300	25/18.6	5	2	2	1	B86868	M15920	B86868N	M15928	37.75" / 959mm	35.5" / 902mm	43.15" / 1097mm
6TMH30-300	30/22.4	6	1	5		B86869	M15921	B86869N	M15952	44.25" / 1124mm	42" / 1067mm	49.65" / 1262mm
6TMH40-300	40/29.8	8	4	2	2	B86870	M15923	B86870N	M15954	57.25" / 1454mm	55" / 1397mm	62.65" / 1592mm
6TMH50-300	50/37.3	9	8	1		B86871	M15924	B86871N	M15955	63.75" / 1620mm	61.5" / 1562mm	69.15" / 1757mm
6TMH60-300	60/44.7	11	8	3		B86872	M16620	B86872N	M15521	76.75" / 1950mm	74.5" / 1893mm	82.15" / 2087mm

Note 4: Effective assembled pump diameter with cable guard lying flat against pump is 6.50 inches.
 Note 5: 4" and 6" pumps use the same shaft and cable guards.
 Note 6: Cable guard 30866000 sold in 12" (3.66m) lengths only.

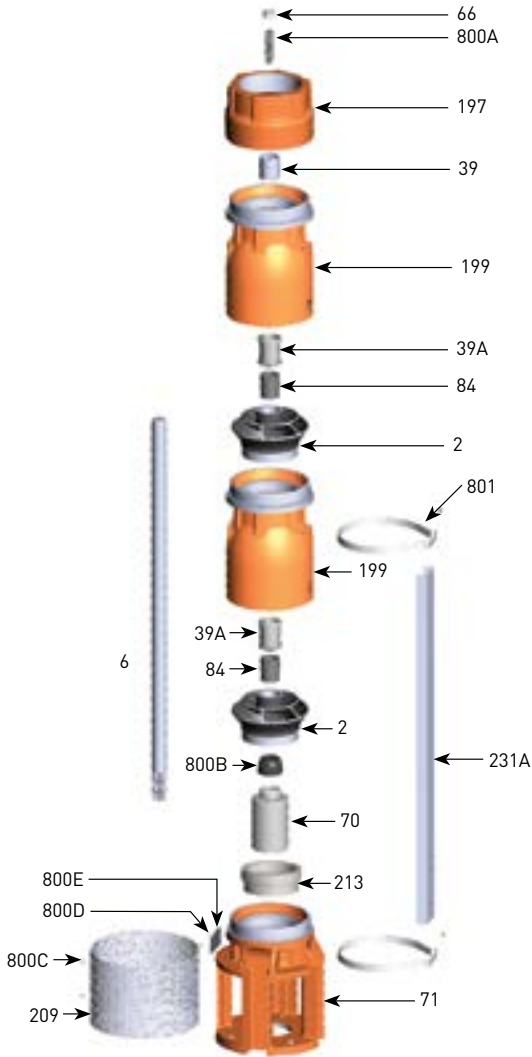


293 WRIGHT STREET, DELAVAN, WI 53115 www.BerkeleyPumps.com PH: 888-237-5353 ORDERS FAX: 800-321-8793
 Because we are continuously improving our products and services, Pentair reserves the right to change specifications without prior notice.

BERKELEY® 6TMH SERIES

300 GPM, 60HZ, NPT, 8" MOTORS

Section	ST-6TMH
Page	1.0
Date	March 1, 2016
Supersedes	New



Item Number	Part Number	Description	Required Qty
2	See Table 3	Impeller	1 per stage
6	See Table 4	Shaft	1
39	M15886	Vesconite® Bearing	1
39A	S13636	Neoprene Bearing	1 per stage
66	M15881	Upthrust Nut, 1/2-13 LH	1
70	B86655	8" Motor Coupling	1
71	M16428,	6TMH 8" Motor Suction Bracket	1
84	S05301	1" Collet	1 per stage
199	B86169	6TMH-300 Bowl (includes Neoprene Bearing)	1 per stage
197	M15868	6TMH Discharge, 4" NPT	1
209	M16429	Suction Screen	1
213	M15877	Intake Adapter Insert	1
231A	M10252	Cable Guard, 8" material	1
800A	M15882	Upthrust Screw, 1/2-13 LH	1
800B	M15874	Sand Boot	1
800C	M15937	Screen Screw, 8-32 x 3/8 Panhead	2
800D	M10199	Rivet, 3/32	2
800E	M09653	Nameplate	1
801	M15879	6TMH Cable Guard Clamp	2
not shown	M09970	Tag, Upthrust Adjustment	1
not shown	B86187	Bolt Kit, 6" Motor	1
not shown	BE972	Owner's Manual	1

Note 1: B86185 includes 39, 66, 197, 800A.
 Note 2: B86658 includes 71, 213

Item Number	Part Number	Description	Required Qty
39A	S13636	Neoprene Bearing	1 per stage
	S10708	Bronze Bearing	
199	B86169	6TMH-300 Bowl (includes Neoprene Bearing)	1 per stage
84	S05301	1" Collet	1 per stage
2	See Table 3	Impeller	1 per stage

Note 3: Bronze bearing may be used in place of the standard Neoprene Bearing.

Item Number	Part Number	Description	Required Qty
2	M15860	6TMH-300 "A" Impeller 5.250"	See Table 4
2	M15861	6TMH-300 "B" Impeller 5.000"	
2	M15862	6TMH-300 "C" Impeller 4.750"	

TABLE 4 - 60 Hz Staging Requirements Build Table

Series	HP/kW	Stages	Trim			416 SS shaft		Ion-nitride shaft		Shaft Length (in/mm)	Cable Guard Length ¹	Assembled pump length (motor not included)
			"A"	"B"	"C"	Pump catalog number	416 SS Shaft p/n	Pump catalog number	Ion Nitride Shaft p/n			
6TMH40-300	40/29.8	8	4	2	2	B86773	M15923	B86773N	M15954	57.25 in/1454 mm	40.5 in/1029 mm	63.8 in/1621 mm
6TMH50-300	50/37.3	9	8	1		B86774	M15924	B86774N	M15955	63.75 in/1619 mm	48 in/1220 mm	70.3 in/1786 mm
6TMH60-300	60/44.7	11	8	3		B86775	M16620	B86775N	M16621	76.75 in/1949 mm	63 in/1601 mm	83.3 in/2116 mm
6TMH75-300	75/55.9	13	13			B86776	M16167	B86776N	M16665	89.75 in/2280 mm	78 in/1982 mm	96.3 in/2447 mm
6TMH100-300	100/74.6	18	16	2		B86777	M16503	B86777N	M16521	22.75 in/3118 mm	100.5 in/2553 mm	128.8 in/3272 mm

Note 4: Effective assembled pump diameter with cable guard lying flat against pump is 8.25 inches

Note 5: Cable guard M10252 sold in 8' (2.43M) lengths only

