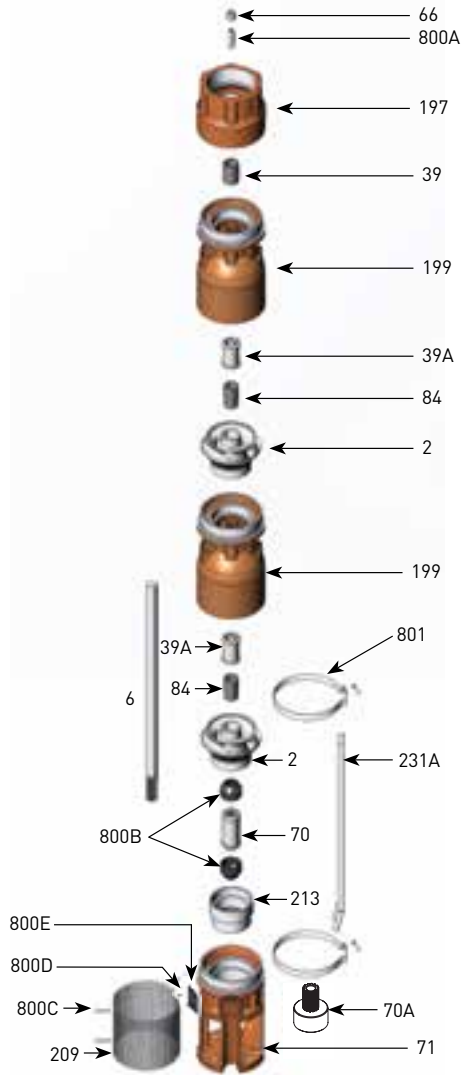


# BERKELEY® 6TMH SERIES

## 200 GPM, 60HZ, NPT

Section	ST-6TMH
Page	1.0
Date	July 15, 2015
Supersedes	October 8, 2015



Item Number	Part Number	Description	Required Qty
2	See Table 3	Impeller	1 Per Stage
6	See Table 4	Shaft	1
39	M15886	Vesconite® Bearing	1
39A	S13636	Neoprene Bearing	1 Per Stage
66	M15881	Upthrust Nut, 1/2-13 LH	1
70	M15872	6" Motor Coupling	1
70A	M15847	4" Motor Coupling	1
71	M15869	6TMH 4"/6" Motor Suction Bracket	1
84	S05301	1" Collet	1 Per Stage
199	B86168	6TMH-200 Bowl (incl. Neoprene Bearing)	1 Per Stage
197	M15868	6TMH Discharge, 4" NPT	1
209	M15870	Suction Screen	1
213	M15876	Intake Adapter Insert	1
231A	30866000	Cable Guard, 12' material	1
800A	M15882	Upthrust Screw, 1/2-13 LH	1
800B	M15874	Sand Boot	2
800C	M15937	Screen Screw, 8-32 x 3/8 Panhead	2
800D	M10199	Rivet, 3/32	2
800E	M09653	Nameplate	1
801	M15879	6TMH Cable Guard Clamp	2
Not Illustrated	M09970	Tag, Upthrust Adjustment	1
Not Illustrated	B86187	Bolt Kit, 6" Motor	1
Not Illustrated	M15847	Adapter Kit, 4" Motor	1
Not Illustrated	BE972	Owner's Manual	1

Note 1: Motor bracket is dual machined for 4" and 6" motors  
 Note 2: B86185 includes items 39, 66, 197, 800A

Item Number	Part Number	Description	Required Qty
39A	S13636	Neoprene Bearing	1 Per Stage
	S10708	Bronze Bearing	
199	B86168	6TMH-200 Bowl (incl. Neoprene Bearing)	1 Per Stage
84	S05301	1" Collet	1 Per Stage
2	See Table 3	Impeller	1 Per Stage

Note 3: Bronze bearing may be used in place of the standard Neoprene Bearing.

Item Number	Part Number	Description	Required Qty
2	M15856	6TMH-200 "A" Impeller 4.750"	See Table 4
2	M15857	6TMH-200 "B" Impeller 4.450"	

Series	HP/kW	Stages	416 SS shaft		Ion-nitride shaft			Shaft Length (in/mm)	Cable Guard Length <sup>4</sup>	Assembled pump length (motor not included)	
			"A" Trim	"B" Trim	Pump catalog number	416 SS Shaft p/n <sup>3</sup>	Pump catalog number				Ion Nitride Shaft p/n <sup>3</sup>
6TMH5-200	5/3.7	1		1	B86374	M16093	B86374N	M16126	11.5 in/293 mm	9.25 in/235 mm	16.92in/430 mm
6TMH7.5-200	7.5/5.6	1	1		B86375	M16093	B86375N	M16126	11.5 in/293 mm	9.25 in/235 mm	16.92in/430 mm
6TMH10-200	10/7.5	2	1	1	B86376	M16094	B86376N	M16127	17.75 in/451 mm	15.5 in/394 mm	23.17 in/589 mm
6TMH15-200	15/11.2	3	2	1	B86377	M16095	B86377N	M16127	24 in/610 mm	21.75 in/553 mm	29.42 in/748 mm
6TMH20-200	20/14.9	4	3	1	B86855	M16096	B86855N	M16129	30.25 in/769 mm	28 in/712 mm	35.67 in/907 mm
6TMH25-200	25/18.6	5	4	1	B86856	M16097	B86856N	M16130	36.5 in/928 mm	34.25 in/870 mm	41.92 in/1065 mm
6TMH30-200	30/22.4	6	5	1	B86857	M16098	B86857N	M16131	42.75 in/1086 mm	40.50 in/1029 mm	48.17 in/1224 mm
6TMH40-200	40/29.8	8	7	1	B86858	M16099	B86858N	M16132	55.25 in/1404 mm	53 in/1347 mm	60.67 in/1542 mm
6TMH50-200	50/37.3	10	9	1	B86859	M16101	B86859N	M16134	67.75 in/1721 mm	65.5 in/1664 mm	73.17 in/1859 mm
6TMH60-200	60/44.7	12	11	1	B86860	M16102	B86860N	M16135	80.25 in/2039 mm	78 in/1982 mm	85.67 in/2177 mm

Note 4: Effective assembled pump diameter with cable guard lying flat against pump is 6.50 inches



# BERKELEY® 6TMH SERIES

## 200 GPM, 60HZ, NPT, 8" MOTORS

Section	ST-6TMH
Page	1.0
Date	March 1, 2016
Supersedes	New

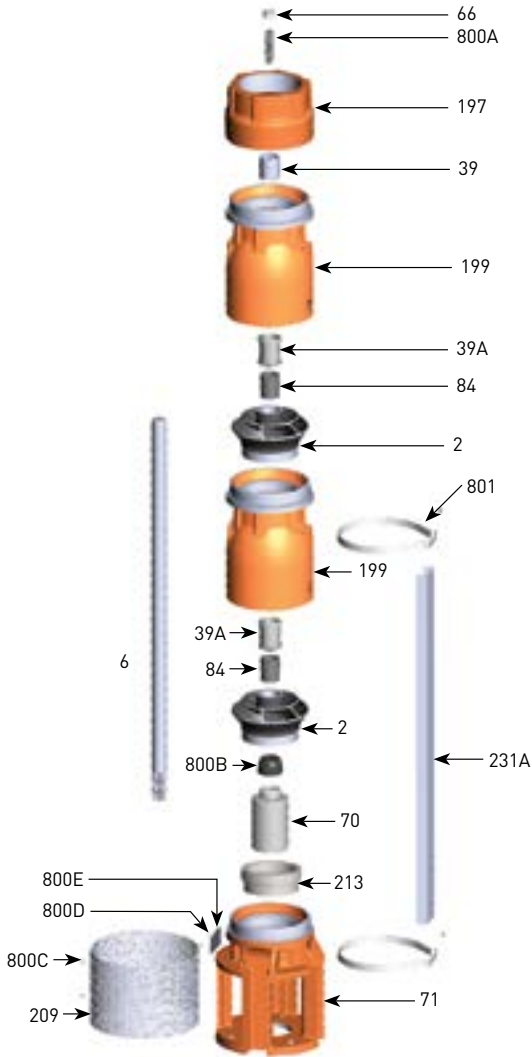


TABLE 1 - 6TMH-200 Common Parts Group

Item Number	Part Number	Description	Required Qty
2	See Table 3	Impeller	1 Per Stage
6	See Table 4	Shaft	1
39	M15886	Vesconite® Bearing	1
39A	S13636	Neoprene Bearing	1 Per Stage
66	M15881	Upthrust Nut, 1/2-13 LH	1
70	B86655	8" Motor Coupling	1
71	M16428	6TMH 8" Motor Suction Bracket	1
84	S05301	1" Collet	1 Per Stage
199	B86168	6TMH-200 Bowl (incl. Neoprene Bearing)	1 Per Stage
197	M15868	6TMH Discharge, 4" NPT	1
209	M16429	Suction Screen	1
213	M15876	Intake Adapter Insert	1
231A	M10252	Cable Guard, 8' material	1
800A	M15882	Upthrust Screw, 1/2-13 LH	1
800B	M15874	Sand Boot	1
800C	M15937	Screen Screw, 8-32 x 3/8 Panhead	2
800D	M10199	Rivet, 3/32	2
800E	M09653	Nameplate	1
801	M15879	6TMH Cable Guard Clamp	2
Not Illustrated	M09970	Tag, Upthrust Adjustment	1
Not Illustrated	B86187	Bolt Kit, 6" Motor	1
Not Illustrated	BE972	Owner's Manual	1

Note 1: B86185 includes items 39, 66, 197, 800A  
 Note 2: B86657 Includes 71, 213

TABLE 2 - Additional Staging

Item Number	Part Number	Description	Required Qty
39A	S13636	Neoprene Bearing	1 Per Stage
	S10708	Bronze Bearing	
199	B86168	6TMH-200 Bowl (incl. Neoprene Bearing)	1 Per Stage
84	S05301	1" Collet	1 Per Stage
2	See Table 3	Impeller	1 Per Stage

Note 3: Bronze bearing may be used in place of the standard Neoprene Bearing.

TABLE 3

Item Number	Part Number	Description	Required Qty
2	M15856	6TMH-200 "A" Impeller 4.750"	See Table 4
2	M15857	6TMH-200 "B" Impeller 4.450"	

TABLE 4 - 60 Hz Staging Requirements Build Table

Series	HP/kW	Stages	Trim			416 SS shaft		Ion-nitride shaft		Shaft Length (in/mm)	Cable Guard Length <sup>1</sup>	Assembled pump length (motor not included)
			"A"	"B"	"C"	Pump catalog number	416 SS Shaft p/n	Pump catalog number	Ion Nitride Shaft p/n			
6TMH40-200	40/29.8	8	7	1		B86764	M16099	B86764N	M16132	55.25 in/1404 mm	53 in/1347 mm	61.82 in/1571 mm
6TMH50-200	50/37.3	10	9	1		B86765	M16101	B86765N	M16134	67.75 in/1721 mm	65.5 in/1664 mm	74.32 in/1888 mm
6TMH60-200	60/44.7	12	11	1		B86766	M16102	B86766N	M16135	80.25 in/2039 mm	78 in/1982 mm	86.82 in/2206 mm
6TMH75-200	75/55.9	15	14	1		B86767	M16497	B86767N	M16250	99 in/2515 mm	96.75 in/2458 mm	105.57 in/2682 mm
6TMH100-200	100/74.6	19	18	1		B86768	M16504	B86768N	M16538	124 in/3150 mm	121.75 in/3093 mm	130.57 in/3317 mm

Note 4: Effective assembled pump diameter with cable guard lying flat against pump is 8.25 inches

Note 5: Cable guard M10252 sold in 8' (2.43M) lengths only

