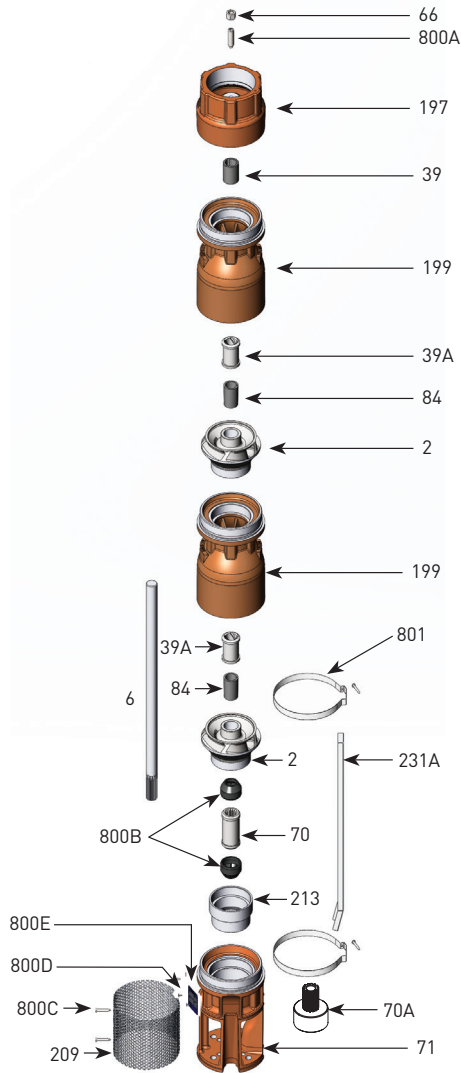


BERKELEY® 5TMH SERIES

75 GPM, 60HZ, NPT

Section	ST-5TMH
Page	1.0
Date	July 15, 2015
Supersedes	03/01/15



Item Number	Part Number	Description	Required Qty
2	See Table 3	Impeller	1 Per Stage
6	See Table 4	Shaft	1
39	M15886	Vesconite® Bearing	1
39A	S13636	Neoprene Bearing	1 Per Stage
66	M15881	Upthrust Nut, 1/2-13 LH	1
70	M15872	6" Motor Coupling	1
70A	M15847	4" Motor Coupling	1
71	M16053	5TMH 4"/6" Motor Suction Bracket	1
84	S05301	1" Collet	1 Per Stage
199	B86446	5TMH-75 Bowl (incl. Neoprene Bearing)	1 Per Stage
197	M16054	5TMH Discharge, NPT	1
209	M16056	Suction Screen	1
213	M16272	Intake Adapter Insert	1
231A	30866000	Cable Guard, 12' material	1
800A	M15882	Upthrust Screw, 1/2-13 LH	1
800B	M15874	Sand Boot	2
800C	M15937	Screen Screw, 8-32 x 3/8 Panhead	2
800D	M10199	Rivet, 3/32	2
800E	M09653	Nameplate	1
801	M15878	5TMH Cable Guard Clamp	2
Not Illustrated	M09970	Tag, Upthrust Adjustment	1
Not Illustrated	B86187	Bolt Kit, 6" Motor	1
Not Illustrated	M15847	Adapter Kit, 4" Motor	1
Not Illustrated	BE972	Owner's Manual	1

Note 1: Motor bracket is dual machined for 4" and 6" motors
 Note 2: B86420 includes items 39, 66, 197, 800A
 Note 3: B86445 includes 71, 213

Item Number	Part Number	Description	Required Qty
39A	S13636	Neoprene Bearing	1 Per Stage
	S10708	Bronze Bearing	
199	B86446	5TMH-75 Bowl (incl. Neoprene Bearing)	1 Per Stage
84	S05301	1" Collet	1 Per Stage
2	See Table 3	Impeller	1 Per Stage

Note 4: Bronze bearing may be used in place of the standard Neoprene Bearing.

Item Number	Part Number	Description	Required Qty
2	M16029	5TMH-75 "A" Impeller 4.275"	See Table 4
2	M16030	5TMH-75 "B" Impeller 3.793"	

TABLE 4 - 60 Hz Staging Requirements Build Table

Series	HP/kW	Stages	"A" Trim	"B" Trim	"C" Trim	416 SS shaft		Ion-nitride shaft		Shaft Length (in/mm)	Cable Guard Length ⁷	Assembled Pump Length (motor not included)
						Pump catalog number	416 SS Shaft p/n ⁶	Pump catalog number	Ion Nitride Shaft p/n ⁶			
5TMH5-75	5/3.7	4	3	1		B86830	M16603	B86830N	M16609	26.75 in/680 mm	23.5 in/597 mm	33.2 in/844 mm
5TMH7.5-75	7.5/5.6	6	5	1		B86831	M16604	B86831N	M16610	37.25 in/947 mm	34 in/864 mm	43.7 in/1110 mm
5TMH10-75	10/7.5	8	6	2		B86832	M16280	B86832N	M16331	47.75 in/1213 mm	44.5 in/1131 mm	54.2 in/1377 mm
5TMH15-75	15/11.2	11	11			B86545	M16281	B86545N	M16332	63.5 in/1613 mm	60.25 in/1531 mm	69.95 in/1777 mm
5TMH20-75	20/14.9	15	15			B86833	M16606	B86833N	M16612	84.5 in/2147 mm	81.25 in/2064 mm	90.95 in/2311 mm
5TMH25-75	25/18.6	19	18	1		B86834	M16607	B86834N	M16613	105.5 in/2680 mm	102.25 in/2598 mm	111.95 in/2844 mm

Note 5: Effective assembled pump diameter with cable guard lying flat against pump is 5.625 inches
 Note 6: 4" and 6" pumps use the same shaft and cable guards.
 Note 7: Cable Guard 30866000 sold in 12' (3.66m) lengths only.

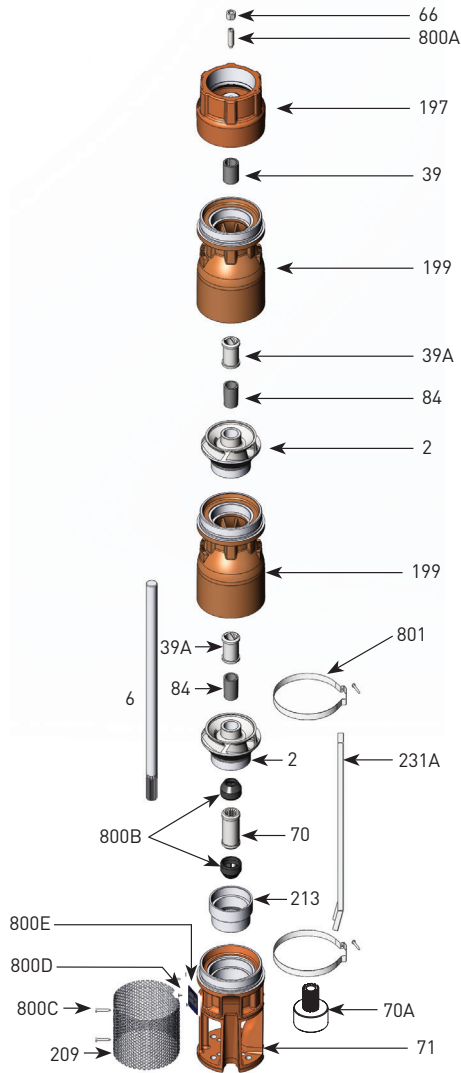
293 WRIGHT STREET, DELAVAN, WI 53115 www.BerkeleyPumps.com PH: 888-237-5353 ORDERS FAX: 800-321-8793
 490 PINEBUSH ROAD, UNIT 4, CAMBRIDGE, ONTARIO, CANADA N1T 0A5 PH: 800-363-7867 ORDERS FAX: 888-606-5484



BERKELEY® 5TMH SERIES

110 GPM, 60HZ, NPT

Section	ST-5TMH
Page	1.0
Date	July 20, 2015
Supersedes	04/06/15



Item Number	Part Number	Description	Required Qty
2	See Table 3	Impeller	1 Per Stage
6	See Table 4	Shaft	1
39	M15886	Vesconite® Bearing	1
39A	S13636	Neoprene Bearing	1 Per Stage
66	M15881	Upthrust Nut, 1/2-13 LH	1
70	M15872	6" Motor Coupling	1
70A	M15847	4" Motor Coupling	1
71	M16053	5TMH 4"/6" Motor Suction Bracket	1
84	S05301	1" Collet	1 Per Stage
199	B86615	5TMH-110/170 Bowl (incl. Neoprene Bearing)	1 Per Stage
197	M16054	5TMH Discharge, NPT	1
209	M16056	Suction Screen	1
213	M16273	Intake Adapter Insert	1
231A	308666000	Cable Guard, 12" material	1
800A	M15882	Upthrust Screw, 1/2-13 LH	1
800B	M15874	Sand Boot	2
800C	M15937	Screen Screw, 8-32 x 3/8 Panhead	2
800D	M10199	Rivet, 3/32	2
800E	M09653PNR	Nameplate	1
801	M15878	5TMH Cable Guard Clamp	2
Not Illustrated	M09970	Tag, Upthrust Adjustment	1
Not Illustrated	B86187	Bolt Kit, 6" Motor	1
Not Illustrated	M15847	Adapter Kit, 4" Motor	1
Not Illustrated	BE972	Owner's Manual	1

Note 1: Motor bracket is dual machined for 4" and 6" motors
 Note 2: B86420 includes items 39, 66, 197, 800A
 Note 3: B86614 includes 71, 213

Item Number	Part Number	Description	Required Qty
39A	S13636	Neoprene Bearing	1 Per Stage
	S10708	Bronze Bearing	
199	B86615	5TMH-110/170 Bowl (incl. Neoprene Bearing)	1 Per Stage
84	S05301	1" Collet	1 Per Stage
2	See Table 3	Impeller	1 Per Stage

Note 4: Bronze bearing may be used in place of the standard Neoprene Bearing.

Item Number	Part Number	Description	Required Qty
2	M16033	5TMH-110 "A" Impeller 4.365"	See Table 4
2	M16034	5TMH-110 "C" Impeller 3.875"	

Series	HP/kW	Stages	"A" Trim	"C" Trim	416 SS shaft		Ion-nitride shaft		Shaft Length (in/mm)	Cable Guard Length ⁷	A ssembled pump length (motor not included)
					Pump catalog number	416 SS Shaft p/n ⁶	Pump catalog number	Ion Nitride Shaft p/n ⁶			
5TMH5-110	5/3.7	3	3		B86636	M16220	B86636N	M16234	25.5 in/648 mm	22 in/559 mm	31.7 in/806 mm
5TMH7.5-110	7.5/5.6	5	4	1	B86637	M16222	B86637N	M16236	38.5 in/978 mm	35 in/889 mm	44.7 in/1136 mm
5TMH10-110	10/7.5	6	6		B86638	M16223	B86638N	M16237	45 in/1143 mm	41.5 in/1055 mm	51.2 in/1301 mm
5TMH15-110	15/11.2	10	8	2	B86639	M16227	B86639N	M16241	71 in/1804 mm	67.5 in/1715 mm	77.2 in/1961 mm
5TMH20-110	20/14.9	13	11	2	B86640	M16229	B86640N	M16243	90.5 in/2299 mm	87 in/2210 mm	96.7 in/2457 mm
5TMH25-110	25/18.6	16	15	1	B86641	M16230	B86641N	M16244	110 in/2547 mm	106.5 in/2706 mm	116.2 in/2952 mm
5TMH30-110	30/22.4	18	18		B86642	M16383	B86642N	M16384	123 in/3125 mm	119.5 in/3036 mm	129.2 in/3282 mm

Note 5: Effective assembled pump diameter with cable guard lying flat against pump is 5.625 inches
 Note 6: 4" and 6" pumps use the same shaft and cable guards.
 Note 7: Cable Guard 308666000 sold in 12" (3.66m) lengths only.



BERKELEY® 5TMH SERIES

170 GPM, 60HZ, NPT

Section	ST-5TMH
Page	1.0
Date	July 15, 2015
Supersedes	04/06/15

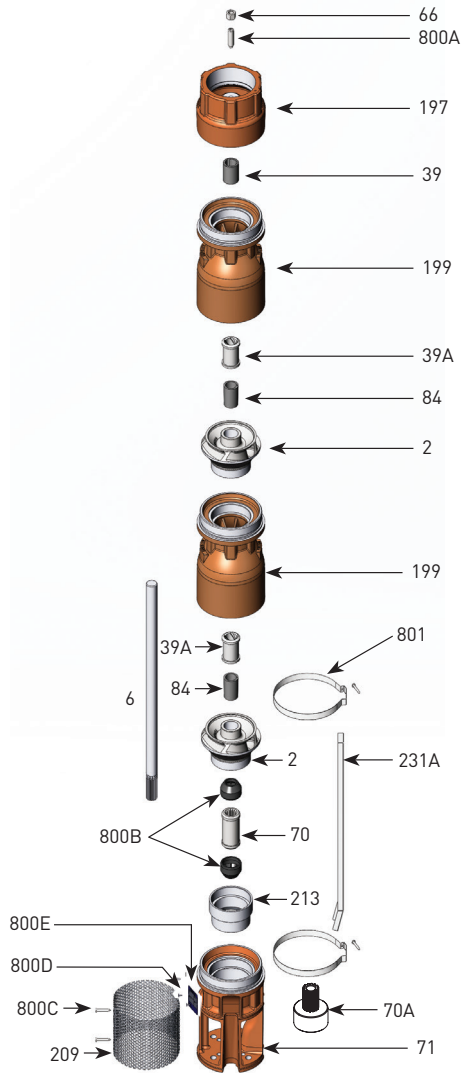


TABLE 1 - 5TMH-170 Common Parts Group

Item Number	Part Number	Description	Required Qty
2	See Table 3	Impeller	1 Per Stage
6	See Table 4	Shaft	1
39	M15886	Vesconite® Bearing	1
39A	S13636	Neoprene Bearing	1 Per Stage
66	M15881	Upthrust Nut, 1/2-13 LH	1
70	M15872	6" Motor Coupling	1
70A	M15847	4" Motor Coupling	1
71	M16053	5TMH 4"/6" Motor Suction Bracket	1
84	S05301	1" Collet	1 Per Stage
199	B86615	5TMH-110/170 Bowl (incl. Neoprene Bearing)	1 Per Stage
197	M16054	5TMH Discharge, 3" NPT	1
209	M16056	Suction Screen	1
213	M16273	Intake Adapter Insert	1
231A	308666000	Cable Guard, 12" material	1
800A	M15882	Upthrust Screw, 1/2-13 LH	1
800B	M15874	Sand Boot	2
800C	M15937	Screen Screw, 8-32 x 3/8 Panhead	2
800D	M10199	Rivet, 3/32	2
800E	M09653PNR	Nameplate	1
801	M15878	5TMH Cable Guard Clamp	2
Not Illustrated	M09970	Tag, Upthrust Adjustment	1
Not Illustrated	B86187	Bolt Kit, 6" Motor	1
Not Illustrated	M15847	Adapter Kit, 4" Motor	1
Not Illustrated	BE972	Owner's Manual	1

Note 1: Motor bracket is dual machined for 4" and 6" motors
 Note 2: B86420 includes items 39, 66, 197, 800A
 Note 3: B86614 includes 71, 213

TABLE 2 - Additional Staging

Item Number	Part Number	Description	Required Qty
39A	S13636	Neoprene Bearing	1 Per Stage
	S10708	Bronze Bearing	
199	B86615	5TMH-110/170 Bowl (incl. Neoprene Bearing)	1 Per Stage
84	S05301	1" Collet	1 Per Stage
2	See Table 3	Impeller	1 Per Stage

Note 4: Bronze bearing may be used in place of the standard Neoprene Bearing.

TABLE 3

Item Number	Part Number	Description	Required Qty
2	M16037	5TMH-170 "A" Impeller 4.370"	See Table 4
2	M16038	5TMH-170 "B" Impeller 4.150"	
2	M16039	5TMH-170 "C" Impeller 3.900"	

TABLE 4 - 60 Hz Staging Requirements Build Table

Series	HP/kW	Stages	"A" Trim	"B" Trim	"C" Trim	416 SS shaft		Ion-nitride shaft		Shaft Length (in/mm)	Cable Guard Length ⁷	Assembled pump length (motor not included)
						Pump catalog number	416 SS Shaft p/n ⁶	Pump catalog number	Ion Nitride Shaft p/n ⁶			
5TMH5-170	5/3.7	2	1		1	B86588	M16219	B86588N	M16233	19 in/483 mm	15.5 in/394 mm	25.2 in/641 mm
5TMH7.5-170	7.5/5.6	3	1	1	1	B86589	M16220	B86589N	M16234	25.5 in/648 mm	22 in/559 mm	31.7 in/806 mm
5TMH10-170	10/7.5	4	2	1	1	B86590	M16221	B86590N	M16235	32 in/813 mm	28.5 in/724 mm	38.2 in/971 mm
5TMH15-170	15/11.2	6	3	1	2	B86591	M16223	B86591N	M16237	45 in/1143 mm	41.5 in/1055 mm	51.2 in/1301 mm
5TMH20-170	20/14.9	8	4	2	2	B86592	M16225	B86592N	M16239	58 in/1474 mm	54.5 in/1385 mm	64.2 in/1631 mm
5TMH25-170	25/18.6	10	4	5	1	B86593	M16227	B86593N	M16241	71 in/1804 mm	67.5 in/1715 mm	77.2 in/1961 mm
5TMH30-170	30/22.4	12	6	3	3	B86594	M16228	B86594N	M16242	84 in/2134 mm	80.5 in/2045 mm	90.2 in/2292 mm
5TMH40-170	40/29.8	16	6	8	2	B86595	M16230	B86595N	M16244	110 in/2794 mm	106.5 in/2706 mm	116.2 in/2952 mm

Note 5: Effective assembled pump diameter with cable guard lying flat against pump is 5.625 inches
 Note 6: 4" and 6" pumps use the same shaft and cable guards.
 Note 7: Cable Guard 308666000 sold in 12' (3.66m) lengths only.

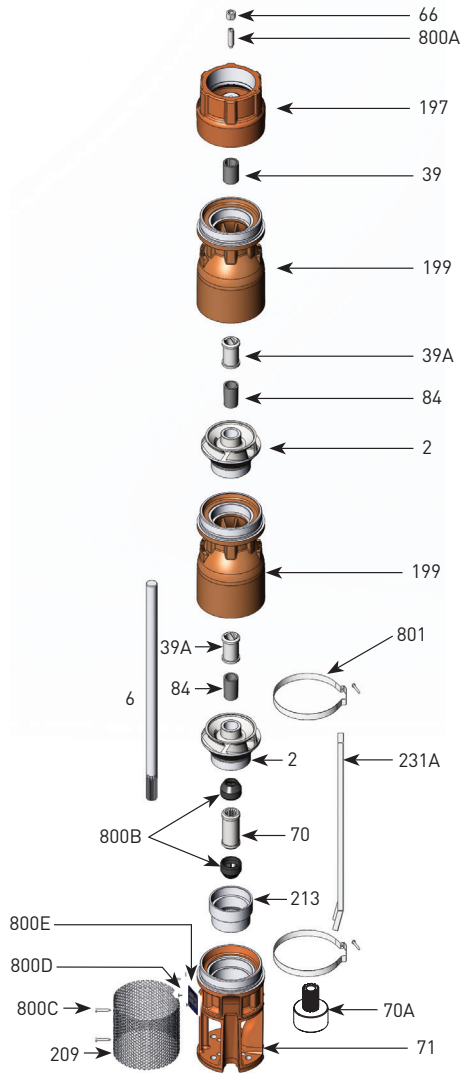


293 WRIGHT STREET, DELAVAN, WI 53115 www.BerkeleyPumps.com PH: 888-237-5353 ORDERS FAX: 800-321-8793
 Because we are continuously improving our products and services, Pentair reserves the right to change specifications without prior notice.

BERKELEY® 5TMH SERIES

250 GPM, 60HZ, NPT

Section	ST-5TMH
Page	1.0
Date	July 15, 2015
Supersedes	04/06/15



Item Number	Part Number	Description	Required Qty
2	See Table 3	Impeller	1 Per Stage
6	See Table 4	Shaft	1
39	M15886	Vesconite® Bearing	1
39A	S13636	Neoprene Bearing	1 Per Stage
66	M15881	Upthrust Nut, 1/2-13 LH	1
70	M15872	6" Motor Coupling	1
70A	M15847	4" Motor Coupling	1
71	M16053	5TMH 4"/6" Motor Suction Bracket	1
84	S05301	1" Collet	1 Per Stage
199	B86511	5TMH-250 Bowl (incl. Neoprene Bearing)	1 Per Stage
197	M16055	5TMH Discharge, 4" NPT	1
209	M16056	Suction Screen	1
213	M16274	Intake Adapter Insert	1
231A	308666000	Cable Guard, 12' material	1
800A	M15882	Upthrust Screw, 1/2-13 LH	1
800B	M15874	Sand Boot	2
800C	M15937	Screen Screw, 8-32 x 3/8 Panhead	2
800D	M10199	Rivet, 3/32	2
800E	M09653PNR	Nameplate	1
801	M15878	5TMH Cable Guard Clamp	2
Not Illustrated	M09970	Tag, Upthrust Adjustment	1
Not Illustrated	B86187	Bolt Kit, 6" Motor	1
Not Illustrated	M15847	Adapter Kit, 4" Motor	1
Not Illustrated	BE972	Owner's Manual	1

Note 1: Motor bracket is dual machined for 4" and 6" motors
 Note 2: B86418 includes items 39, 66, 197, 800A
 Note 3: B86510 includes 71, 213

Item Number	Part Number	Description	Required Qty
39A	S13636	Neoprene Bearing	1 Per Stage
	S10708	Bronze Bearing	
199	B86511	5TMH-250 Bowl (incl. Neoprene Bearing)	1 Per Stage
84	S05301	1" Collet	1 Per Stage
2	See Table 3	Impeller	1 Per Stage

Note 4: Bronze bearing may be used in place of the standard Neoprene Bearing.

Item Number	Part Number	Description	Required Qty
2	M16041	5TMH-250 "A" Impeller 4.220"	See Table 4
2	M16597	5TMH-250 "C" Impeller 4.050"	
2	M16598	5TMH-250 "D" Impeller 3.900"	

TABLE 4 - 60 Hz Staging Requirements Build Table

Series	HP/kW	Stages	"A" Trim	"C" Trim	"D" Trim	416 SS shaft		Ion-nitride shaft		Shaft Length (in/mm)	Cable Guard Length ⁷	Assembled pump length (motor not included)
						Pump catalog number	416 SS Shaft p/n ⁶	Pump catalog number	Ion Nitride Shaft p/n ⁶			
5TMH5-250	5/3.7	1	1			B86552	M16218	B86552N	M16232	12.5 in/318 mm	9 in/229 mm	17.83 in/453 mm
5TMH7.5-250	7.5/5.6	2	1		1	B86553	M16219	B86553N	M16233	19 in/483 mm	15.5 in/394 mm	24.33 in/618 mm
5TMH10-250	10/7.5	2	2			B86554	M16219	B86554N	M16233	19 in/483 mm	15.5 in/394 mm	24.33 in/618 mm
5TMH15-250	15/11.2	3	3			B86555	M16220	B86555N	M16234	25.5 in/648 mm	22 in/559 mm	30.83 in/784 mm
5TMH20-250	20/14.9	5	3	2		B86843	M16222	B86843N	M16236	38.5 in/978 mm	35 in/889 mm	43.83 in/1114 mm
5TMH25-250	25/18.6	6	5	1		B86844	M16223	B86844N	M16237	45 in/1143 mm	41.5 in/1055 mm	50.33 in/1279 mm
5TMH30-250	30/22.4	7	7			B86845	M16224	B86845N	M16238	51.5 in/1309 mm	48 in/1220 mm	56.83 in/1444 mm
5TMH40-250	40/29.8	10	7	2	1	B86846	M16227	B86846N	M16241	71 in/1804 mm	67.5 in/1715 mm	76.33 in/1939 mm
5TMH50-250	50/37.3	12	11		1	B86847	M16228	B86847N	M16242	84 in/2134 mm	80.5 in/2045 mm	89.33 in/2269 mm
5TMH60-250	60/44.7	14	14			B86848	M16608	B86848N	M16614	97 in/2464 mm	93.5 in/2375 mm	102.33 in/2600 mm

Note 5: Effective assembled pump diameter with cable guard lying flat against pump is 5.625 inches
 Note 6: 4" and 6" pumps use the same shaft and cable guards.
 Note 7: Cable Guard 308666000 sold in 12' (3.66m) lengths only.



293 WRIGHT STREET, DELAVAN, WI 53115 www.BerkeleyPumps.com PH: 888-237-5353 ORDERS FAX: 800-321-8793
 Because we are continuously improving our products and services, Pentair reserves the right to change specifications without prior notice.

BERKELEY® 5TMH SERIES

375 GPM, 60HZ, NPT

Section	ST-5TMH
Page	1.0
Date	April 6, 2015
Supersedes	03/01/15

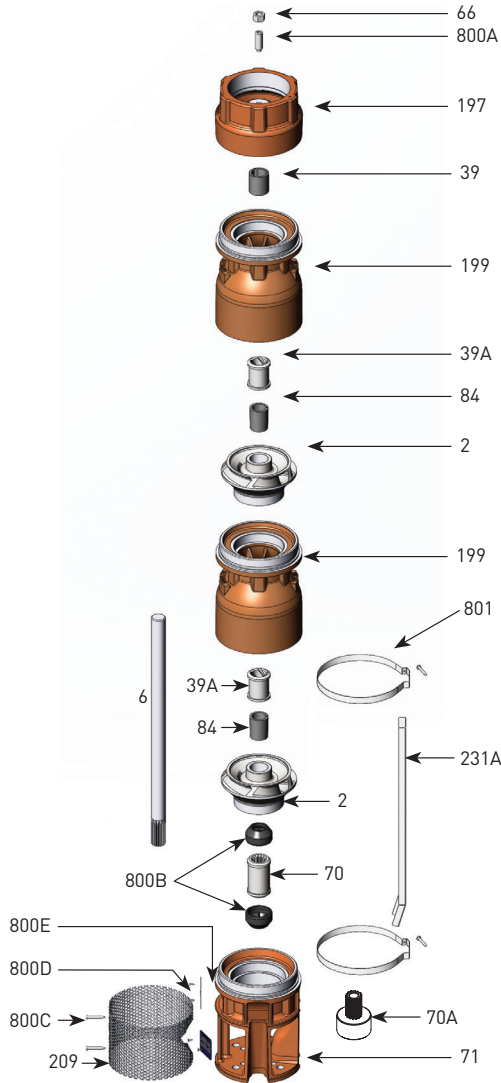


TABLE 1 - 5TMH-375 Common Parts Group

Item Number	Part Number	Description	Required Qty
2	See Table 3	Impeller	1 Per Stage
6	See Table 4	Shaft	1
39	M15886	Vesconite® Bearing	1
39A	S13636	Neoprene Bearing	1 Per Stage
66	M15881	Upthrust Nut, 1/2-13 LH	1
70	M15872	6" Motor Coupling	1
70A	M15847	4" Motor Coupling	1
71	M16053	5TMH 4"/6" Motor Suction Bracket	1
84	S05301	1" Collet	1 Per Stage
199	B86447	5TMH-375 Bowl (incl. Neoprene Bearing)	1 Per Stage
197	M16055	5TMH Discharge, 4" NPT	1
209	M16056	Suction Screen	1
231A	308666000	Cable Guard, 12' material	1
800A	M15882	Upthrust Screw, 1/2-13 LH	1
800B	M15874	Sand Boot	2
800C	M15937	Screen Screw, 8-32 x 3/8 Panhead	2
800D	M10199	Rivet, 3/32	2
800E	M09653PNR	Nameplate	1
801	M15878	5TMH Cable Guard Clamp	2
Not Illustrated	M09970	Tag, Upthrust Adjustment	1
Not Illustrated	B86187	Bolt Kit, 6" Motor	1
Not Illustrated	M15847	Adapter Kit, 4" Motor	1
Not Illustrated	BE972	Owner's Manual	1

Note 1: Motor bracket is dual machined for 4" and 6" motors
 Note 2: B86448 includes items 39, 66, 197, 800A
 Note 3: B86510 includes 71, 213

TABLE 2 - Additional Staging

Item Number	Part Number	Description	Required Qty
39A	S13636	Neoprene Bearing	1 Per Stage
	S10708	Bronze Bearing	
199	B86447	5TMH-375 Bowl (incl. Neoprene Bearing)	1 Per Stage
84	S05301	1" Collet	1 Per Stage
2	See Table 3	Impeller	1 Per Stage

Note 4: Bronze bearing may be used in place of the standard Neoprene Bearing.

TABLE 3

Item Number	Part Number	Description	Required Qty
2	M16045	5TMH-375 "A" Impeller 4.37"	See Table 4
2	M16046	5TMH-375 "B" Impeller 4.11"	

TABLE 4 - 60 Hz Staging Requirements Build Table

Series	HP/kW	Stages	"A" Trim	"B" Trim	"C" Trim	416 SS shaft		Ion-nitride shaft		Shaft Length (in/mm)	Cable Guard Length ⁷	Assembled pump length (motor not included)
						Pump catalog number	416 SS Shaft p/n ⁶	Pump catalog number	Ion Nitride Shaft p/n ⁶			
5TMH5-375	5/3.7	1	1			B86522	M16003	B86522N	M16015	12.75 in/324 mm	9.25 in/235 mm	18.08 in/460 mm
5TMH7.5-375	7.5/5.6	2		2		B86523	M16191	B86523N	M16199	19.5 in/496 mm	16 in/407 mm	24.83 in/631 mm
5TMH10-375	10/7.5	2	2			B86524	M16191	B86524N	M16199	19.5 in/496 mm	16 in/407 mm	24.83 in/631 mm
5TMH15-375	15/11.2	3	3			B86525	M16192	B86525N	M16200	26.25 in/667 mm	22.75 in/578 mm	31.58 in/803 mm
5TMH20-375	20/14.9	4	4			B86526	M16193	B86526N	M16201	33 in/839 mm	29.5 in/750 mm	38.33 in/974 mm
5TMH25-375	25/18.6	5	5			B86527	M16194	B86527N	M16202	39.75 in/1010 mm	36.25 in/921 mm	45.08 in/1146 mm
5TMH30-375	30/22.4	6	6			B86528	M16195	B86528N	M16203	46.5 in/1182 mm	43 in/1093 mm	51.83 in/1317 mm
5TMH40-375	40/29.8	8	8			B86529	M16196	B86529N	M16204	60 in/1524 mm	56.5 in/1436 mm	65.33 in/1660 mm
5TMH50-375	50/37.3	10	10			B86530	M16197	B86530N	M16205	73 in/1855 mm	70 in/1778 mm	78.83 in/2003 mm
5TMH60-375	60/44.7	12	12			B86531	M16198	B86531N	M16206	87 in/2210 mm	83.5 in/2121 mm	92.33 in/2346 mm

Note 5: Effective assembled pump diameter with cable guard lying flat against pump is 5.625 inches
 Note 6: 4" and 6" pumps use the same shaft and cable guards.
 Note 7: Cable Guard 308666000 sold in 12' (3.66m) lengths only.



293 WRIGHT STREET, DELAVAN, WI 53115 www.BerkeleyPumps.com PH: 888-237-5353 ORDERS FAX: 800-321-8793
 Because we are continuously improving our products and services, Pentair reserves the right to change specifications without prior notice.

BERKELEY® 5TMH SERIES

425 GPM, 60HZ, NPT

Section	ST-5TMH
Page	1.0
Date	February 1, 2016
Supersedes	New

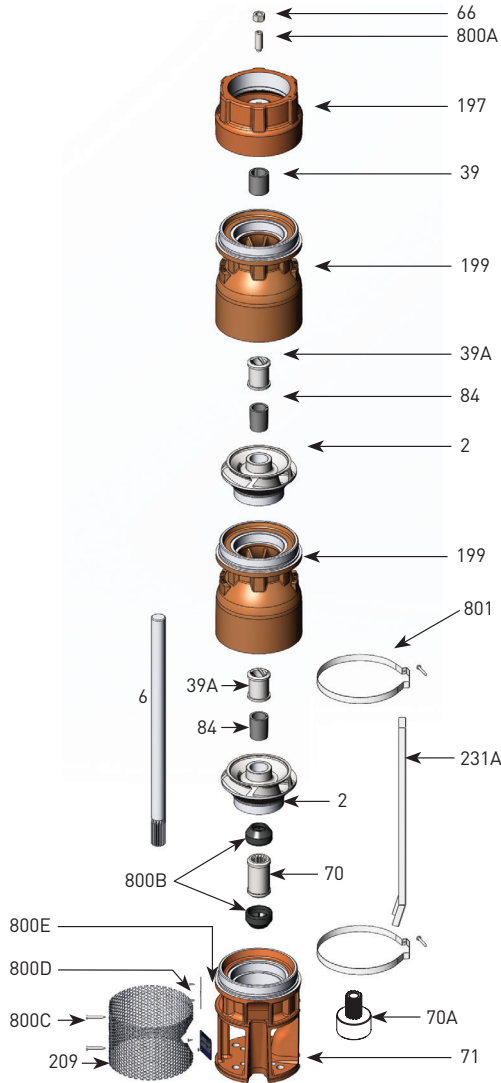


TABLE 1 - 5TMH-425 Common Parts Group

Item Number	Part Number	Description	Required Qty
2	See Table 3	Impeller	1 Per Stage
6	See Table 4	Shaft	1
39	M15886	Vesconite® Bearing	1
39A	S13636	Neoprene Bearing	1 Per Stage
66	M15881	Upthrust Nut, 1/2-13 LH	1
70	M15872	6" Motor Coupling	1
70A	M15847	4" Motor Coupling	1
71	M16053	5TMH 4"/6" Motor Suction Bracket	1
84	S05301	1" Collet	1 Per Stage
199	B86656	5TMH-425 Bowl (incl. Neoprene Bearing)	1 Per Stage
197	M16055	5TMH Discharge, 4" NPT	1
209	M16056	Suction Screen	1
231A	308666000	Cable Guard, 12' material	1
800A	M15882	Upthrust Screw, 1/2-13 LH	1
800B	M15874	Sand Boot	2
800C	M15937	Screen Screw, 8-32 x 3/8 Panhead	2
800D	M10199	Rivet, 3/32	2
800E	M09653PNR	Nameplate	1
801	M15878	TMH Cable Guard Clamp	2
Not Illustrated	M09970	Tag, Upthrust Adjustment	1
Not Illustrated	B86187	Bolt Kit, 6" Motor	1
Not Illustrated	M15847	Adapter Kit, 4" Motor	1
Not Illustrated	BE972	Owner's Manual	1

Note 1: Motor bracket is dual machined for 4" and 6" motors
 Note 2: B86418 includes items 39, 66, 197, 800A

TABLE 2 - Additional Staging

Item Number	Part Number	Description	Required Qty
39A	S13636	Neoprene Bearing	1 Per Stage
	S10708	Bronze Bearing	
199	B86656	5TMH-425 Bowl (incl. Neoprene Bearing)	1 Per Stage
84	S05301	1" Collet	1 Per Stage
2	See Table 3	Impeller	1 Per Stage

Note 3: Bronze bearing may be used in place of the standard Neoprene Bearing.

TABLE 3

Item Number	Part Number	Description	Required Qty
2	M16424	IMPELLER 5TMH-425 MACH SS 4.370-OD	See Table 4
2	M16425	IMPELLER 5TMH-425 MACH SS 4.150-OD	
2	M16426	IMPELLER 5TMH-425 MACH SS 3.950-OD	

TABLE 4 - 60 Hz Staging Requirements Build Table

Series	HP/kw	Stages	"A" Trim	"B" Trim	"C" Trim	416 SS shaft		Ion-nitride shaft		Shaft Length (in/mm)	Cable Guard Length ⁶	Assembled pump length (motor not included)
						Pump catalog number	416 SS Shaft p/n ⁵	Pump catalog number	Ion Nitride Shaft p/n ⁵			
5TMH7.5-425	7.5/5.6	1	1			B86720	M16003	B86720N	M16295	12.75 in/324 mm	9.25 in/235 mm	18.08 in/460 mm
5TMH10-425	10/7.5	2	1		1	B86721	M16191	B86721N	M16199	19.5 in/496 mm	16 in/407 mm	24.83 in/631 mm
5TMH15-425	15/11.2	3	1	2		B86722	M16192	B86722N	M16200	26.25 in/667 mm	22.75 in/578 mm	31.58 in/803 mm
5TMH20-425	20/14.9	4	2	1	1	B86723	M16193	B86723N	M16201	33 in/839 mm	29.5 in/750 mm	38.33 in/974 mm
5TMH25-425	25/18.6	5	3		2	B86724	M16194	B86724N	M16202	39.75 in/1010 mm	36.25 in/921 mm	45.08 in/1146 mm
5TMH30-425	30/22.4	6	4		2	B86725	M16195	B86725N	M16203	46.5 in/1182 mm	43 in/1093 mm	51.83 in/1317 mm
5TMH40-425	40/29.8	7	7			B86726	M16317	B86726N	M16543	53.25 in/1353 mm	49.75 in/1264 mm	58.58 in/1488 mm
5TMH50-425	50/37.3	9	8	1		B86727	M16318	B86727N	M16544	66.75 in/1696 mm	63.25 in/1607 mm	72.08 in/1831 mm
5TMH60-425	60/44.7	10	10			B86728	M16197	B86728N	M16205	73 in/1855 mm	70 in/1778 mm	78.83 in/2003 mm

Note 4: Effective assembled pump diameter with cable guard lying flat against pump is 5.625 inches
 Note 5: 4" and 6" pumps use the same shaft and cable guards.
 Note 6: Cable Guard 308666000 sold in 12' (3.66m) lengths only.



293 WRIGHT STREET, DELAVAN, WI 53115 www.BerkeleyPumps.com PH: 888-237-5353 ORDERS FAX: 800-321-8793
 Because we are continuously improving our products and services, Pentair reserves the right to change specifications without prior notice.