

BERKELEY® 5TMH SERIES

425 GPM, 60HZ, NPT

Section	ST-5TMH
Page	1.0
Date	February 1, 2016
Supersedes	New

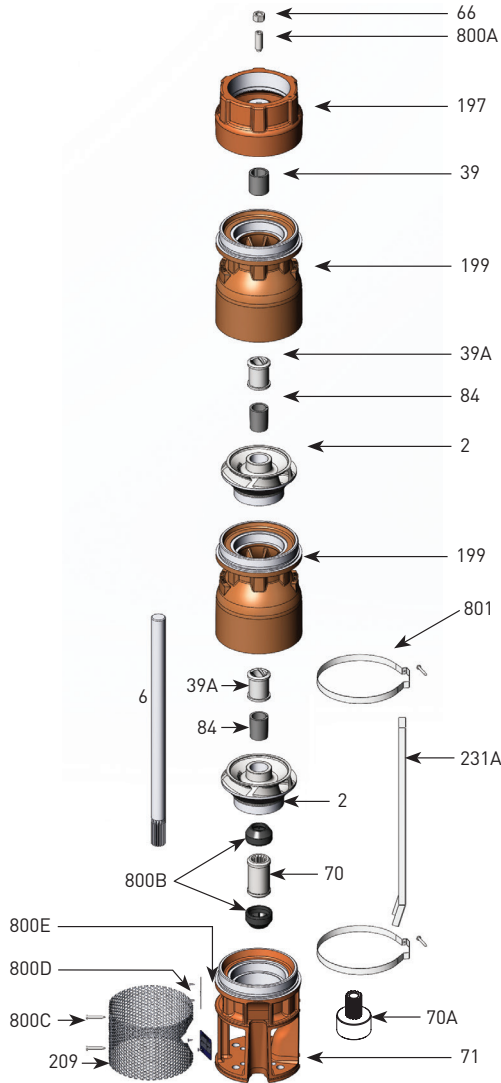


TABLE 1 - 5TMH-425 Common Parts Group

Item Number	Part Number	Description	Required Qty
2	See Table 3	Impeller	1 Per Stage
6	See Table 4	Shaft	1
39	M15886	Vesconite® Bearing	1
39A	S13636	Neoprene Bearing	1 Per Stage
66	M15881	Upthrust Nut, 1/2-13 LH	1
70	M15872	6" Motor Coupling	1
70A	M15847	4" Motor Coupling	1
71	M16053	5TMH 4"/6" Motor Suction Bracket	1
84	S05301	1" Collet	1 Per Stage
199	B86656	5TMH-425 Bowl (incl. Neoprene Bearing)	1 Per Stage
197	M16055	5TMH Discharge, 4" NPT	1
209	M16056	Suction Screen	1
231A	308666000	Cable Guard, 12' material	1
800A	M15882	Upthrust Screw, 1/2-13 LH	1
800B	M15874	Sand Boot	2
800C	M15937	Screen Screw, 8-32 x 3/8 Panhead	2
800D	M10199	Rivet, 3/32	2
800E	M09653PNR	Nameplate	1
801	M15878	TMH Cable Guard Clamp	2
Not Illustrated	M09970	Tag, Upthrust Adjustment	1
Not Illustrated	B86187	Bolt Kit, 6" Motor	1
Not Illustrated	M15847	Adapter Kit, 4" Motor	1
Not Illustrated	BE972	Owner's Manual	1

Note 1: Motor bracket is dual machined for 4" and 6" motors
 Note 2: B86418 includes items 39, 66, 197, 800A

TABLE 2 - Additional Staging

Item Number	Part Number	Description	Required Qty
39A	S13636	Neoprene Bearing	1 Per Stage
	S10708	Bronze Bearing	
199	B86656	5TMH-425 Bowl (incl. Neoprene Bearing)	1 Per Stage
84	S05301	1" Collet	1 Per Stage
2	See Table 3	Impeller	1 Per Stage

Note 3: Bronze bearing may be used in place of the standard Neoprene Bearing.

TABLE 3

Item Number	Part Number	Description	Required Qty
2	M16424	IMPELLER 5TMH-425 MACH SS 4.370-OD	See Table 4
2	M16425	IMPELLER 5TMH-425 MACH SS 4.150-OD	
2	M16426	IMPELLER 5TMH-425 MACH SS 3.950-OD	

TABLE 4 - 60 Hz Staging Requirements Build Table

Series	HP/kW	Stages	"A" Trim	"B" Trim	"C" Trim	416 SS shaft		Ion-nitride shaft		Shaft Length (in/mm)	Cable Guard Length ⁶	Assembled pump length (motor not included)
						Pump catalog number	416 SS Shaft p/n ⁵	Pump catalog number	Ion Nitride Shaft p/n ⁵			
5TMH7.5-425	7.5/5.6	1	1			B86720	M16003	B86720N	M16295	12.75 in/324 mm	9.25 in/235 mm	18.08 in/460 mm
5TMH10-425	10/7.5	2	1		1	B86721	M16191	B86721N	M16199	19.5 in/496 mm	16 in/407 mm	24.83 in/631 mm
5TMH15-425	15/11.2	3	1	2		B86722	M16192	B86722N	M16200	26.25 in/667 mm	22.75 in/578 mm	31.58 in/803 mm
5TMH20-425	20/14.9	4	2	1	1	B86723	M16193	B86723N	M16201	33 in/839 mm	29.5 in/750 mm	38.33 in/974 mm
5TMH25-425	25/18.6	5	3		2	B86724	M16194	B86724N	M16202	39.75 in/1010 mm	36.25 in/921 mm	45.08 in/1146 mm
5TMH30-425	30/22.4	6	4		2	B86725	M16195	B86725N	M16203	46.5 in/1182 mm	43 in/1093 mm	51.83 in/1317 mm
5TMH40-425	40/29.8	7	7			B86726	M16317	B86726N	M16543	53.25 in/1353 mm	49.75 in/1264 mm	58.58 in/1488 mm
5TMH50-425	50/37.3	9	8	1		B86727	M16318	B86727N	M16544	66.75 in/1696 mm	63.25 in/1607 mm	72.08 in/1831 mm
5TMH60-425	60/44.7	10	10			B86728	M16197	B86728N	M16205	73 in/1855 mm	70 in/1778 mm	78.83 in/2003 mm

Note 4: Effective assembled pump diameter with cable guard lying flat against pump is 5.625 inches
 Note 5: 4" and 6" pumps use the same shaft and cable guards.
 Note 6: Cable Guard 308666000 sold in 12' (3.66m) lengths only.

