

BERKELEY® 5TMH SERIES

375 GPM, 60HZ, NPT

Section	ST-5TMH
Page	1.0
Date	April 6, 2015
Supersedes	03/01/15

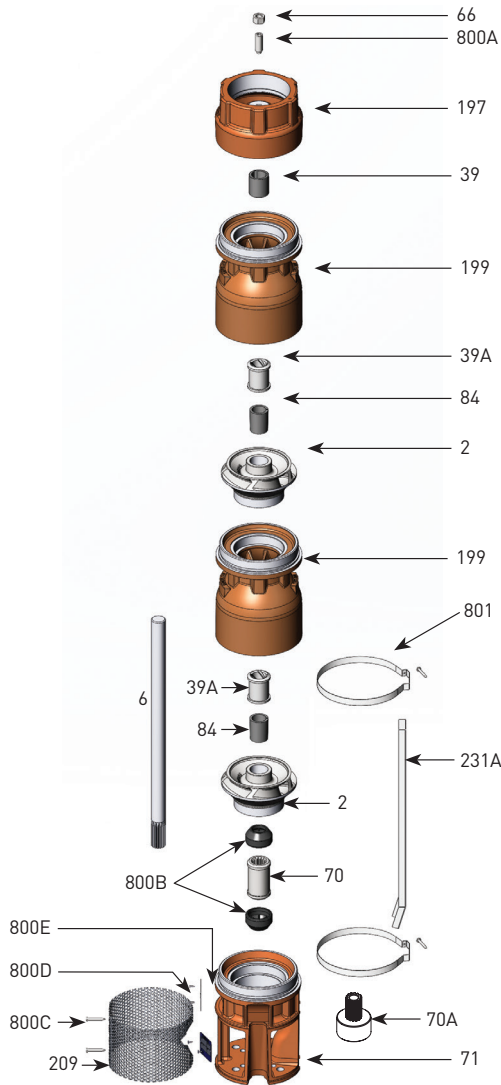


TABLE 1 - 5TMH-375 Common Parts Group

Item Number	Part Number	Description	Required Qty
2	See Table 3	Impeller	1 Per Stage
6	See Table 4	Shaft	1
39	M15886	Vesconite® Bearing	1
39A	S13636	Neoprene Bearing	1 Per Stage
66	M15881	Upthrust Nut, 1/2-13 LH	1
70	M15872	6" Motor Coupling	1
70A	M15847	4" Motor Coupling	1
71	M16053	5TMH 4"/6" Motor Suction Bracket	1
84	S05301	1" Collet	1 Per Stage
199	B86447	5TMH-375 Bowl (incl. Neoprene Bearing)	1 Per Stage
197	M16055	5TMH Discharge, 4" NPT	1
209	M16056	Suction Screen	1
231A	308666000	Cable Guard, 12' material	1
800A	M15882	Upthrust Screw, 1/2-13 LH	1
800B	M15874	Sand Boot	2
800C	M15937	Screen Screw, 8-32 x 3/8 Panhead	2
800D	M10199	Rivet, 3/32	2
800E	M09653PNR	Nameplate	1
801	M15878	5TMH Cable Guard Clamp	2
Not Illustrated	M09970	Tag, Upthrust Adjustment	1
Not Illustrated	B86187	Bolt Kit, 6" Motor	1
Not Illustrated	M15847	Adapter Kit, 4" Motor	1
Not Illustrated	BE972	Owner's Manual	1

Note 1: Motor bracket is dual machined for 4" and 6" motors
 Note 2: B86448 includes items 39, 66, 197, 800A
 Note 3: B86510 includes 71, 213

TABLE 2 - Additional Staging

Item Number	Part Number	Description	Required Qty
39A	S13636	Neoprene Bearing	1 Per Stage
	S10708	Bronze Bearing	
199	B86447	5TMH-375 Bowl (incl. Neoprene Bearing)	1 Per Stage
84	S05301	1" Collet	1 Per Stage
2	See Table 3	Impeller	1 Per Stage

Note 4: Bronze bearing may be used in place of the standard Neoprene Bearing.

TABLE 3

Item Number	Part Number	Description	Required Qty
2	M16045	5TMH-375 "A" Impeller 4.37"	See Table 4
2	M16046	5TMH-375 "B" Impeller 4.11"	

TABLE 4 - 60 Hz Staging Requirements Build Table

Series	HP/kW	Stages	"A" Trim	"B" Trim	"C" Trim	416 SS shaft		Ion-nitride shaft		Shaft Length (in/mm)	Cable Guard Length ⁷	Assembled pump length (motor not included)
						Pump catalog number	416 SS Shaft p/n ⁶	Pump catalog number	Ion Nitride Shaft p/n ⁶			
5TMH5-375	5/3.7	1	1			B86522	M16003	B86522N	M16015	12.75 in/324 mm	9.25 in/235 mm	18.08 in/460 mm
5TMH7.5-375	7.5/5.6	2		2		B86523	M16191	B86523N	M16199	19.5 in/496 mm	16 in/407 mm	24.83 in/631 mm
5TMH10-375	10/7.5	2	2			B86524	M16191	B86524N	M16199	19.5 in/496 mm	16 in/407 mm	24.83 in/631 mm
5TMH15-375	15/11.2	3	3			B86525	M16192	B86525N	M16200	26.25 in/667 mm	22.75 in/578 mm	31.58 in/803 mm
5TMH20-375	20/14.9	4	4			B86526	M16193	B86526N	M16201	33 in/839 mm	29.5 in/750 mm	38.33 in/974 mm
5TMH25-375	25/18.6	5	5			B86527	M16194	B86527N	M16202	39.75 in/1010 mm	36.25 in/921 mm	45.08 in/1146 mm
5TMH30-375	30/22.4	6	6			B86528	M16195	B86528N	M16203	46.5 in/1182 mm	43 in/1093 mm	51.83 in/1317 mm
5TMH40-375	40/29.8	8	8			B86529	M16196	B86529N	M16204	60 in/1524 mm	56.5 in/1436 mm	65.33 in/1660 mm
5TMH50-375	50/37.3	10	10			B86530	M16197	B86530N	M16205	73 in/1855 mm	70 in/1778 mm	78.83 in/2003 mm
5TMH60-375	60/44.7	12	12			B86531	M16198	B86531N	M16206	87 in/2210 mm	83.5 in/2121 mm	92.33 in/2346 mm

Note 5: Effective assembled pump diameter with cable guard lying flat against pump is 5.625 inches
 Note 6: 4" and 6" pumps use the same shaft and cable guards.
 Note 7: Cable Guard 308666000 sold in 12' (3.66m) lengths only.



293 WRIGHT STREET, DELAVAN, WI 53115 www.BerkeleyPumps.com PH: 888-237-5353 ORDERS FAX: 800-321-8793
 Because we are continuously improving our products and services, Pentair reserves the right to change specifications without prior notice.