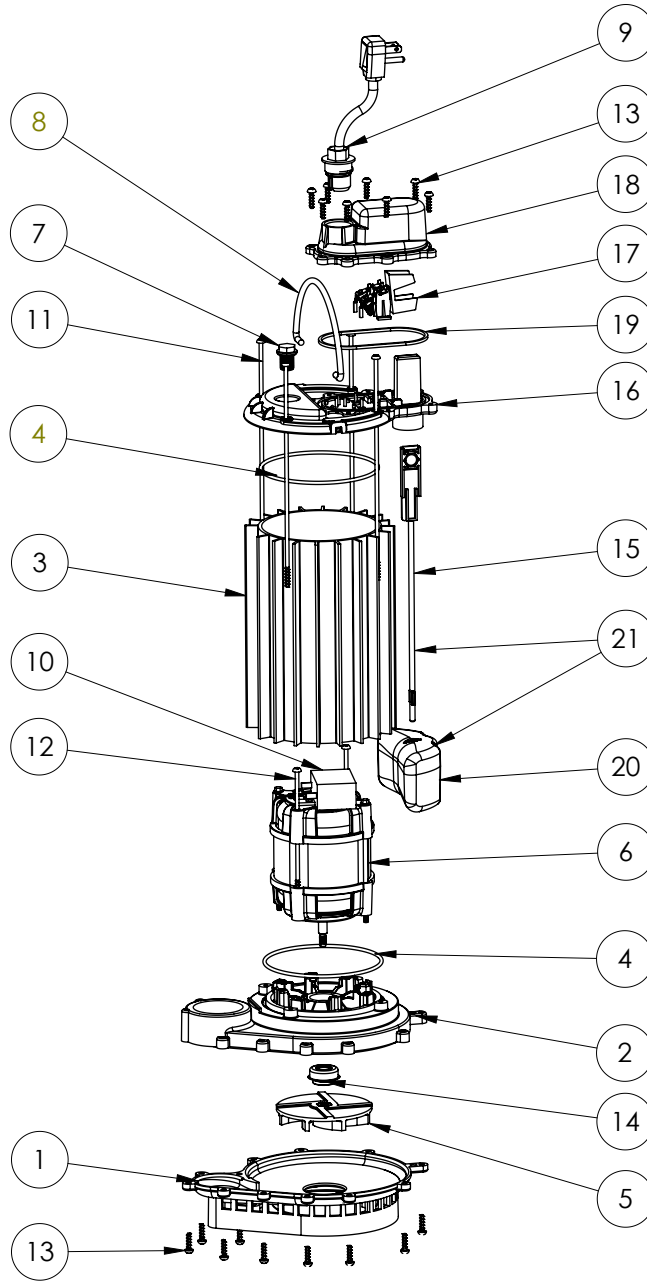


457 (B37)



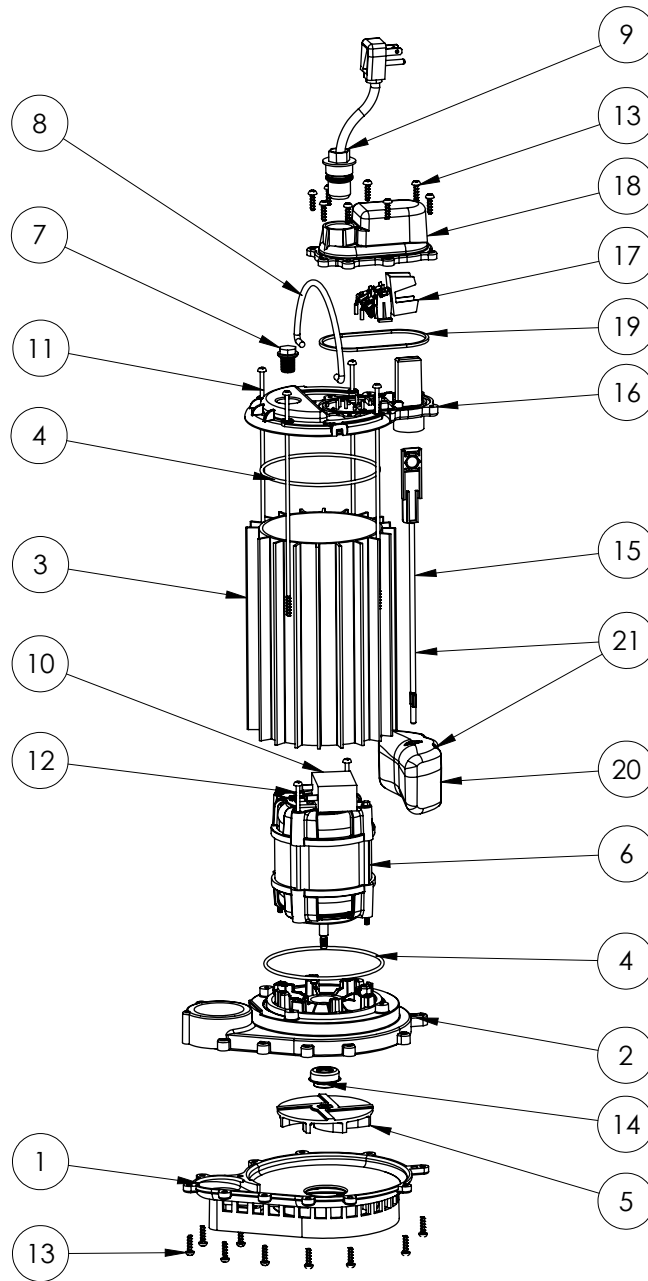
457 (B37)

#	PART #	DESCRIPTION	QTY	Note
1	233600B	BASE WITH VOLUTE ASSEMBLY	1	
2	23310AB	MOTOR SUPPORT PLATE	1	[1]
3	23070AS	MOTOR HOUSING	1	
4	2357000	O-RING	2	[1]
5	K001168	IMPELLER	1	
6	2418200	MOTOR	1	[1]
7	8089000	OIL PLUG, O-RING ASSEMBLY	1	
8	K001082	HANDLE	1	
9	K001010	POWER CORD, 115V, 10 FOOT CORD	1	
10	2453000	CAPACITOR	1	[1]
11	8147000	#10 x 8.4" STAINLESS STEEL SCREW	4	[1]
12	8148000	#10 x 4-3/4" POLYFAST SCREW	2	[1]
13	8104200	#10 HILO X 5/8" STAINLESS STEEL SCREW	20	
14	2309000	5/16 SHAFT SEAL	1	
15	2076000	VMF FLOAT ROD	1	
16	206500B	VMF MOTOR COVER, BLACK	1	
17	K001012	VMF SWITCH	1	
18	K001069	VMF SWITCH COVER, BLACK	1	
19	2072000	SEALRING, SWITCH COVER	1	
20	2362000	VMF FLOAT	1	[1]
21	K001050	VMF FLOAT AND ROD KIT	1	

PART NOTES:

[1] - Part requires factory authorized service. Contact Liberty Pumps at 1-800-543-2550

457 (B51)



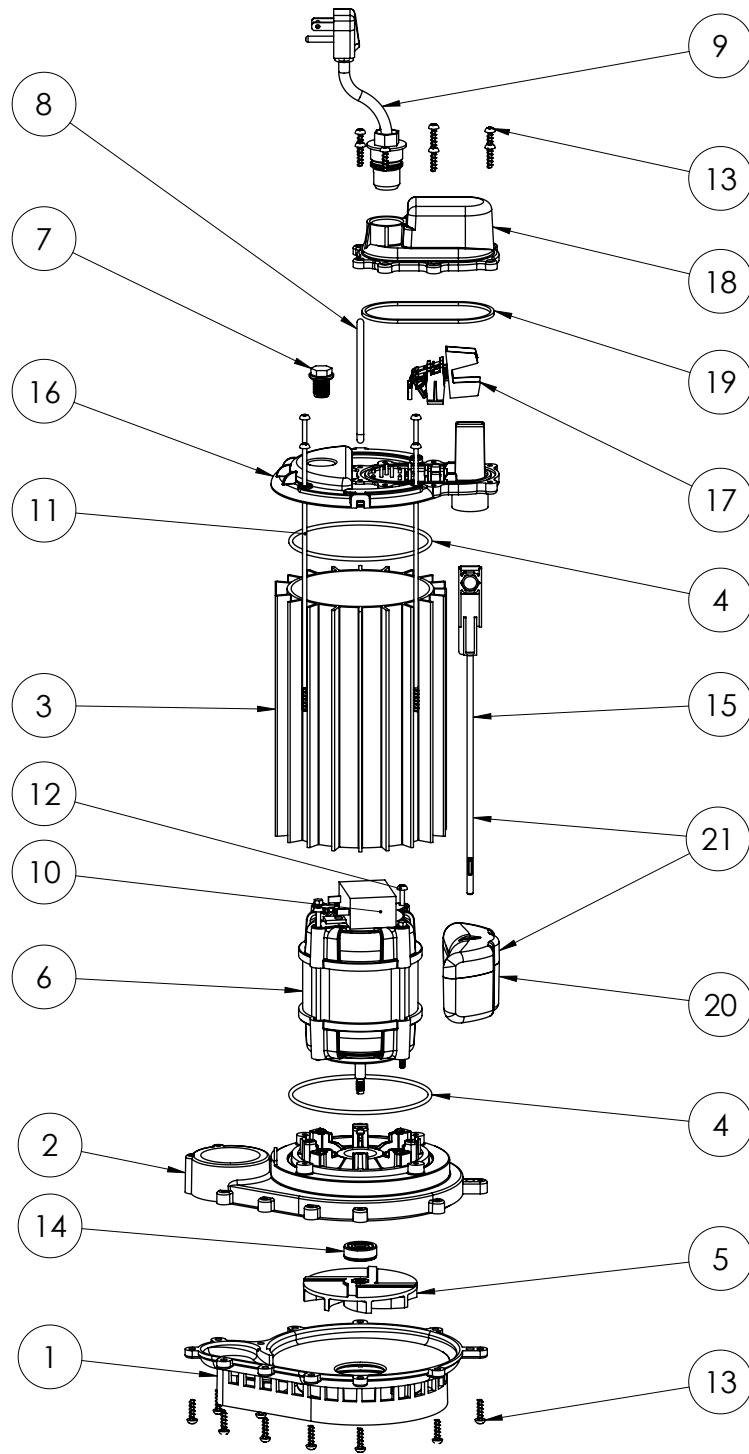
457 (B51)

#	PART #	DESCRIPTION	QTY	Note
1	233600B	BASE WITH VOLUTE ASSEMBLY	1	
2	23310AB	MOTOR SUPPORT PLATE	1	[1]
3	23070AS	MOTOR HOUSING	1	
4	2357000	O-RING	2	[1]
5	K001168	IMPELLER	1	
6	2418200	MOTOR	1	[1]
7	8089000	OIL PLUG, O-RING ASSEMBLY	1	
8	K001082	HANDLE	1	
9	K001010	POWER CORD, 115V, 10 FOOT CORD	1	
10	2453000	CAPACITOR	1	[1]
11	8147000	#10 x 8.4" STAINLESS STEEL SCREW	4	[1]
12	8148000	#10 x 4-3/4" POLYFAST SCREW	2	[1]
13	8104200	#10 HILO X 5/8" STAINLESS STEEL SCREW	20	
14	2309000	5/16 SHAFT SEAL	1	
15	2076000	VMF FLOAT ROD	1	
16	206500B	VMF MOTOR COVER, BLACK	1	
17	K001012	VMF SWITCH	1	
18	K001069	VMF SWITCH COVER, BLACK	1	
19	2072000	SEALRING, SWITCH COVER	1	
20	2362000	VMF FLOAT	1	[1]
21	K001050	VMF FLOAT AND ROD KIT	1	

PART NOTES:

[1] - Part requires factory authorized service. Contact Liberty Pumps at 1-800-543-2550

457 (B59)



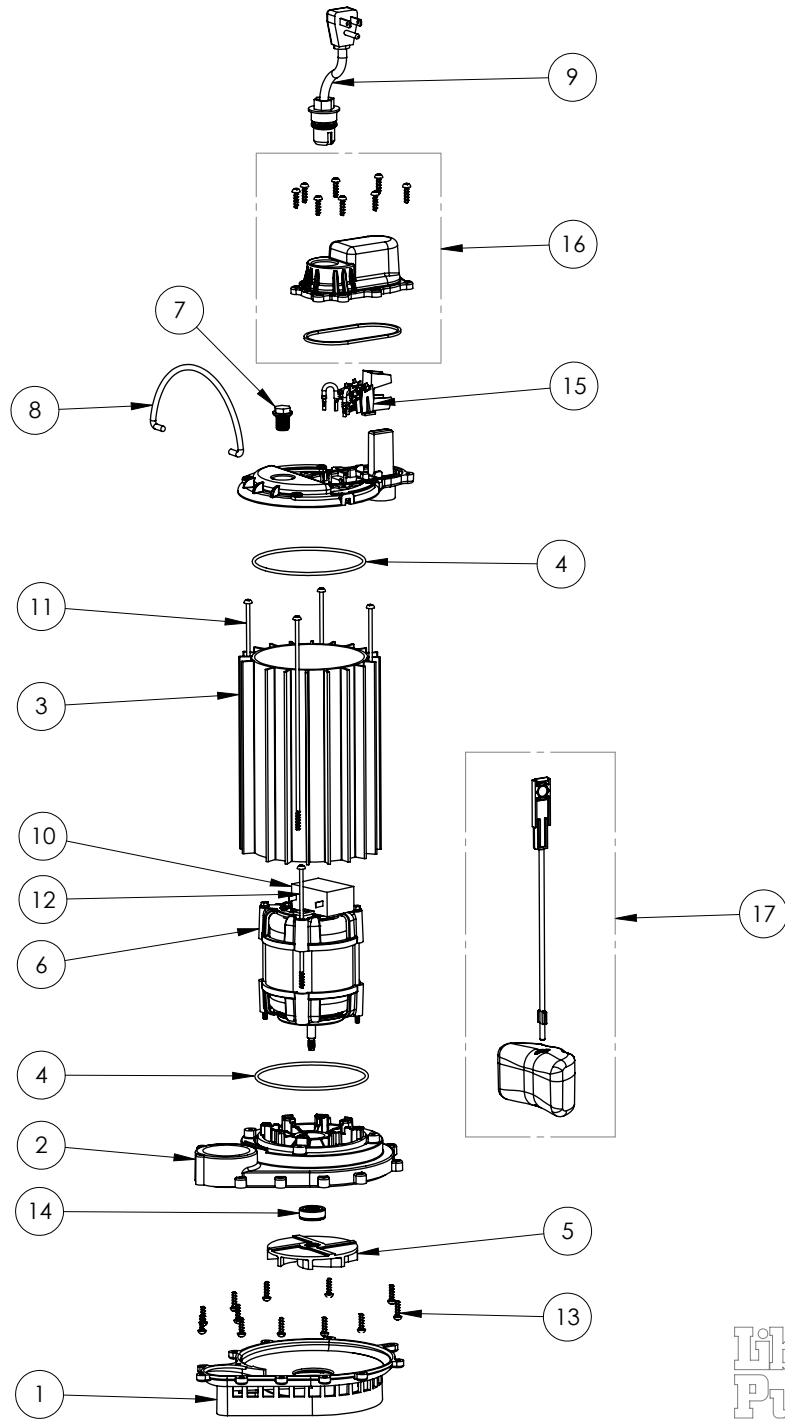
457 (B59)

#	PART #	DESCRIPTION	QTY	Note
1	233600B	BASE WITH VOLUTE ASSEMBLY	1	
2	23310AB	MOTOR SUPPORT PLATE	1	[1]
3	23070AS	MOTOR HOUSING	1	
4	2357000	O-RING	2	[1]
5	K001168	IMPELLER	1	
6	2418200	MOTOR	1	[1]
7	8089000	OIL PLUG, O-RING ASSEMBLY	1	
8	K001082	HANDLE	1	
9	K001010	POWER CORD, 115V, 10 FOOT CORD	1	
10	2453000	CAPACITOR	1	[1]
11	8147000	#10 x 8.4" STAINLESS STEEL SCREW	4	[1]
12	8148000	#10 x 4-3/4" POLYFAST SCREW		[1]
13	8104200	#10 HILO X 5/8" STAINLESS STEEL SCREW	20	
14	K001254	3043000 5/16" SHAFT SEAL	1	[1]
15	2076000	VMF FLOAT ROD	1	
16	206500B	VMF MOTOR COVER, BLACK	1	
17	K001012	VMF SWITCH	1	
18	K001069	VMF SWITCH COVER, BLACK	1	
19	2072000	SEALRING, SWITCH COVER	1	
20	2362000	VMF FLOAT	1	[1]
21	K001050	VMF FLOAT AND ROD KIT	1	

PART NOTES:

[1] - Part requires factory authorized service. Contact Liberty Pumps at 1-800-543-2550

457 (B60)



457 (B60)

#	PART #	DESCRIPTION	QTY	Note
1	233600B	BASE WITH VOLUTE ASSEMBLY	1	
2	23310AB	MOTOR SUPPORT PLATE	1	[1]
3	23070AS	MOTOR HOUSING	1	
4	2357000	O-RING	2	[1]
5	K001168	IMPELLER	1	
6	2418200	MOTOR	1	[1]
7	8089000	OIL PLUG, O-RING ASSEMBLY	1	
8	K001082	HANDLE	1	
9	K001010	POWER CORD, 115V, 10 FOOT CORD	1	
10	2453000	CAPACITOR	1	[1]
11	8147000	#10 x 8.4" STAINLESS STEEL SCREW	4	[1]
12	8148000	#10 x 4-3/4" POLYFAST SCREW	2	[1]
13	8104200	#10 HILO X 5/8" STAINLESS STEEL SCREW	20	
14	K001254	3043000 5/16" SHAFT SEAL	1	[1]
15	K001330	VMF SWITCH AND SEALRING KIT	1	
16	K001329	VMF SWITCH COVER KIT	1	
17	K001050	VMF FLOAT AND ROD KIT	1	

PART NOTES:

[1] - Part requires factory authorized service. Contact Liberty Pumps at 1-800-543-2550