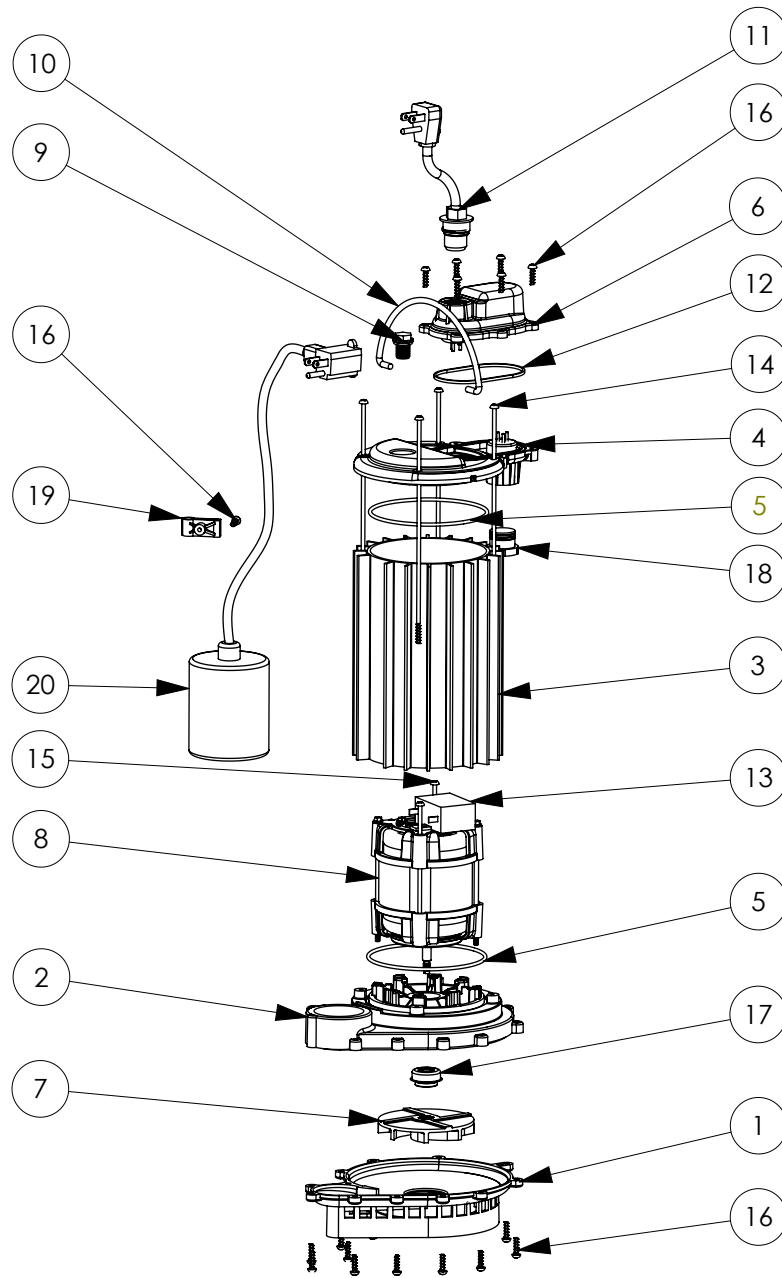


453-2 (B37)



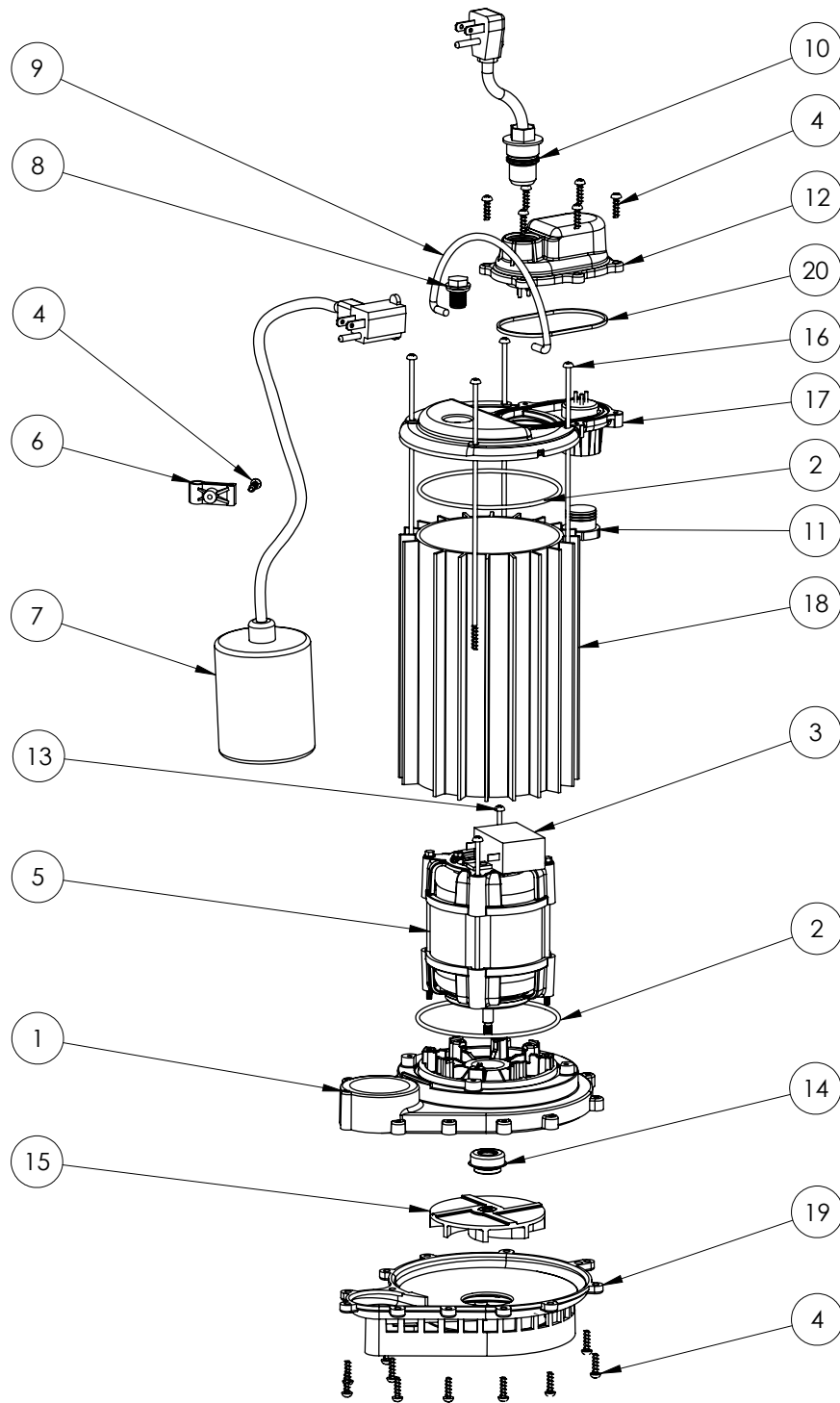
## 453-2 (B37)

#	PART #	DESCRIPTION	QTY	Note
1	233600B	BASE WITH VOLUTE ASSEMBLY	1	
2	23310AB	MOTOR SUPPORT PLATE	1	[1]
3	23070AS	MOTOR HOUSING	1	
4	240600B	MOTOR COVER	1	
5	2357000	O-RING	2	[1]
6	240700B	CHAMBER COVER	1	
7	K001168	IMPELLER	1	
8	2418200	MOTOR	1	[1]
9	8089000	OIL PLUG, O-RING ASSEMBLY	1	
10	K001082	HANDLE	1	
11	K001008	POWER CORD, 115V, 25 FOOT CORD	1	
12	K001046	SEALRING, CHAMBER COVER	1	
13	2453000	CAPACITOR	1	[1]
14	8147000	#10 x 8.4" STAINLESS STEEL SCREW	4	[1]
15	8148000	#10 x 4-3/4" POLYFAST SCREW	2	[1]
16	8104200	#10 HILO X 5/8" STAINLESS STEEL SCREW	19	
17	2309000	5/16 SHAFT SEAL	1	
18	8105000	PROTECTIVE CAP	1	
19	2319000	CLAMP, SWITCH CORD	1	
20	K001144	61130B0 PUMP SWITCH, 25' 115V	1	

**PART NOTES:**

[1] - Part requires factory authorized service. Contact Liberty Pumps at 1-800-543-2550

453-2 (B51)



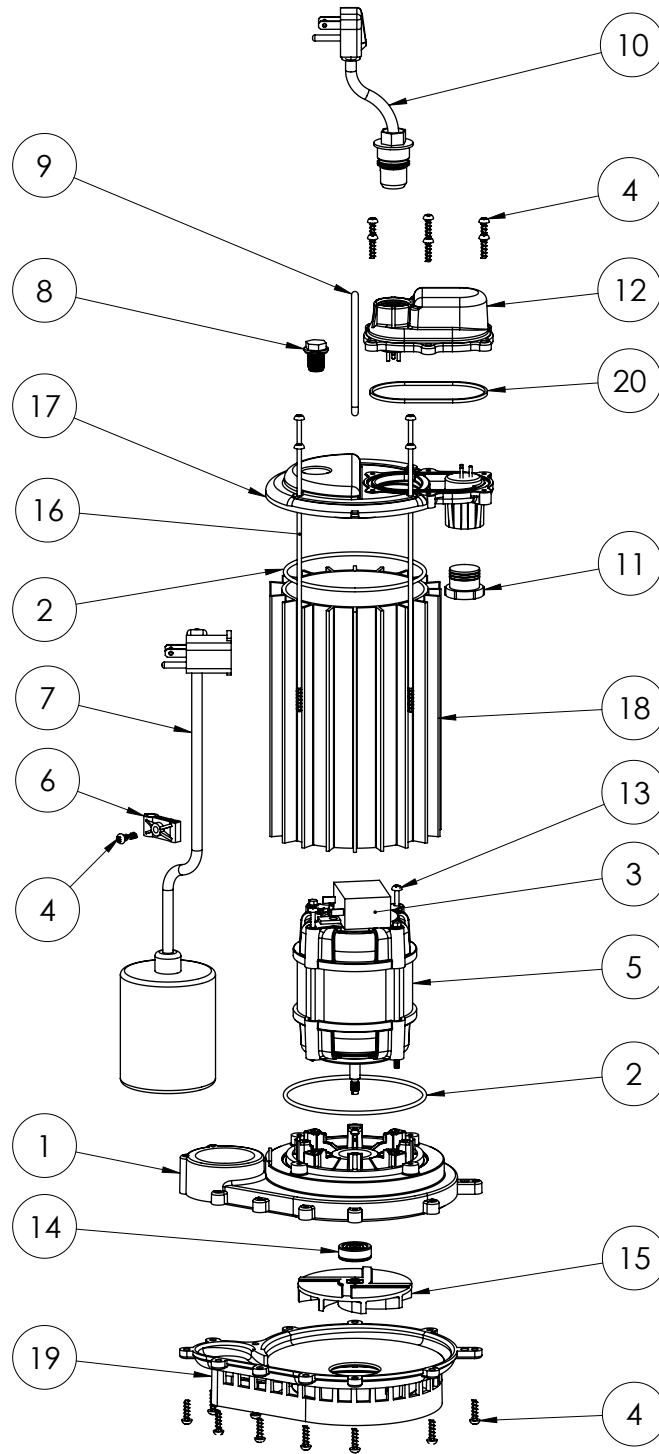
## 453-2 (B51)

#	PART #	DESCRIPTION	QTY	Note
1	23310AB	MOTOR SUPPORT PLATE	1	[1]
2	2357000	O-RING	2	[1]
3	2453000	CAPACITOR	1	[1]
4	8104200	#10 HILO X 5/8" STAINLESS STEEL SCREW	20	
5	2418200	MOTOR	1	[1]
6	2319000	CLAMP, SWITCH CORD	1	
7	K001054	61130A0 PUMP SWITCH, 10' 115V	1	
8	8089000	OIL PLUG, O-RING ASSEMBLY	1	
9	K001082	HANDLE	1	
10	K001008	POWER CORD, 115V, 25 FOOT CORD	1	
11	8105000	PROTECTIVE CAP	1	
12	240700B	CHAMBER COVER	1	
13	8148000	#10 x 4-3/4" POLYFAST SCREW	2	[1]
14	2309000	5/16 SHAFT SEAL	1	
15	K001168	IMPELLER		
16	8147000	#10 x 8.4" STAINLESS STEEL SCREW	4	[1]
17	240600B	MOTOR COVER	1	
18	23070AS	MOTOR HOUSING	1	
19	233600B	BASE WITH VOLUTE ASSEMBLY	1	
20	K001046	SEALRING, CHAMBER COVER	1	

**PART NOTES:**

[1] - Part requires factory authorized service. Contact Liberty Pumps at 1-800-543-2550

453-2 (B59)



## 453-2 (B59)

#	PART #	DESCRIPTION	QTY	Note
1	23310AB	MOTOR SUPPORT PLATE	1	[1]
2	2357000	O-RING	2	[1]
3	2453000	CAPACITOR	1	[1]
4	8104200	#10 HILO X 5/8" STAINLESS STEEL SCREW	20	
5	2418200	MOTOR	1	[1]
6	2319000	CLAMP, SWITCH CORD	1	
7	K001054	61130A0 PUMP SWITCH, 10' 115V	1	
8	8089000	OIL PLUG, O-RING ASSEMBLY	1	
9	K001082	HANDLE	1	
10	K001008	POWER CORD, 115V, 25 FOOT CORD	1	
11	8105000	PROTECTIVE CAP	1	
12	240700B	CHAMBER COVER	1	
13	8148000	#10 x 4-3/4" POLYFAST SCREW	1	[1]
14	K001254	3043000 5/16" SHAFT SEAL	1	[1]
15	K001168	IMPELLER	1	
16	8147000	#10 x 8.4" STAINLESS STEEL SCREW	4	[1]
17	240600B	MOTOR COVER	1	
18	23070AS	MOTOR HOUSING	1	
19	233600B	BASE WITH VOLUTE ASSEMBLY	1	
20	K001046	SEALRING, CHAMBER COVER	1	

**PART NOTES:**

[1] - Part requires factory authorized service. Contact Liberty Pumps at 1-800-543-2550