



FILE NO.:	6042.128
DATE:	May 31, 2013
SUPERSEDES:	6042.128
DATE:	January 5, 2012

## PARTS LIST

---

# SERIES 4280

"CLOSE COUPLLED"  
OR  
MOTOR MOUNTED PUMP

CENTERLINE DISCHARGE  
"M" DESIGNATION

1-1/4" IMPELLER BORE -- 1-5/8" MECHANICAL SEAL

**NEW DESIGN**



## 4280 POWER FRAMES: ALL SPEEDS

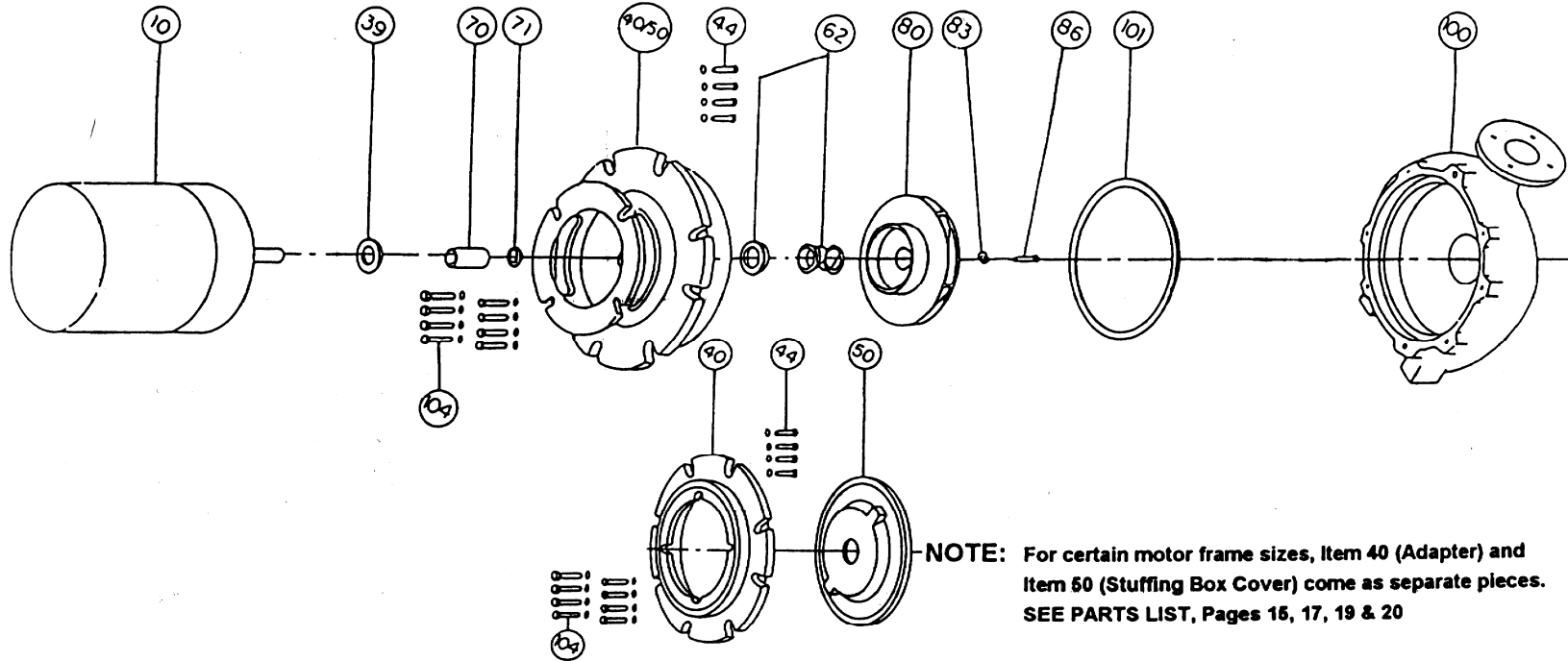
SPEED	MOTOR HORSEPOWER																		
	3/4	1	1 1/2	2	3	5	3	5	7 1/2	10			15	20			25	30	
1150 RPM																			
1750 RPM	1	1 1/2 & 2	3	5	7 1/2	10	7 1/2	10	15	20			25	30			40	50	
3500 RPM	1 1/2	2 & 3	5	7 1/2	10	15	10	15	20	25	30	40			50	60			
FRAME	143JM	145JM	182JM	184JM	213JM	215JM	213JP	215JP	254JM	256JM	284JM	286JM	284JP	286JP	324JM	326JM	324JP	326JP	
PUMP SIZE																			
1 1/2 X 1 X 6	S	S	S	S	S														
3 X 1 1/2 X 6	S	S	S	S	S	S													
3 X 2 X 6	S	S	S	S	S	S													
3 X 2 1/2 X 6	S	S	S	S	S	S													
4 X 3 X 6W	S	S	S	S	S	S			M	M									
1 1/2 X 1 X 8	S	S	S	S			M	M											
3 X 1 1/2 X 8	S	S	S	S			M	M	M	M	M	M			M	M			
3 X 2 X 8	S	S	S	S			M	M	M	M	M	M			M	M			
3 X 2 1/2 X 8	S	S	S	S			M	M	M	M	M	M			M	M			
4 X 3 X 8	S	S	S	S			M	M	M	M	M	M			M	M			
5 X 4 X 8	S	S	S	S			M	M	M	M	M	M			M	M			
6 X 4 X 8	S	S	S	S			M	M	M	M	M	M			M	M			
8 X 8 X 8			S	S			M	M	M	M					M	M			
2 X 1 X 10	S	S	S	S			M	M	M	M			M	M			M	M	
2 X 1.5 X 10	S	S	S	S			M	M	M	M			M	M			M	M	
3 X 1 1/2 X 10	S	S	S	S			M	M	M	M			M	M			M	M	
3 X 2 X 10	S	S	S	S			M	M	M	M			M	M			M	M	
3 X 2 1/2 X 10	S	S	S	S			M	M	M	M			M	M			M	M	
4 X 3 X 10			S	S			M	M	M	M									
5 X 4 X 10							M	M	M	M			M	M			M	M	
6 X 4 X 10							M	M	M	M			M	M					
6 X 5 X 10							M	M	M	M			M	M			M	M	
8 X 6 X 10							M	M	M	M			M	M			M	M	
4 X 3 X 11 1/2				S			M	M	M	M			M	M					
5 X 4 X 11 1/2							M	M	M	M			M	M					
6 X 5 X 11 1/2									M	M			M	M			M	M	
8 X 6 X 11 1/2									M	M			M	M			M	M	
3 X 1 1/2 X 13									M	M			M	M	M	M	M	M	
3 X 2 X 13									M	M			M	M	M	M			
4 X 3 X 13									M	M			M	M	M	M	M	M	
6 X 4 X 13									M	M			M	M	M	M	M	M	
6 X 4 X 13H									M	M			M	M	M	M	M	M	
6 x 5 x 13									M	M			M	M	M	M	M	M	
6 x 5 x 13H									M	M			M	M	M	M	M	M	
8 X 6 X 13									M	M			M	M	M	M	M	M	

"S" DESIGNATION - 7/8" IMPELLER BORE, 1 1/4" MECHANICAL SEAL

"M" DESIGNATION - 1 1/4" IMPELLER BORE, 1 5/8" MECHANICAL SEAL

# 4280 NEW STYLE CENTER LINE DISCHARGE, CLOSE COUPLED/ MOTOR MOUNTED PUMP "M" DESIGNATION

1 1/4" IMPELLER BORE -- 1 5/8" MECHANICAL SEAL  
EXPLODED VIEW



## INDEX

ITEM	DESCRIPTION	PAGE	ITEM	DESCRIPTION	PAGE	ITEM	DESCRIPTION	PAGE
39	WATER SLINGER	21	50	STUFFING BOX	17	83	IMPELLER WASHER	21
40	ADAPTER	17	62	MECHANICAL SEAL KIT	21	86	IMPELLER CAPSCREW	21
40/50	ADAPTER/STUFFING BOX B.F. & A.I.	11 & 12	70	SHAFT SLEEVE	21	100	CASING	3, 4, 5, 6 & 7
40/50	ADAPTER/STUFFING BOX D.I.	13 & 14	71	SHAFT SLEEVE SPACER	21	101	CASING GASKET	18
40/50	ADAPTER/STUFFING BOX A.B.	15 & 16	70/71	SHAFT SLEEVE KIT	21	104	ADAPT. STUFF BOX CAPS.	20
44	MOTOR CAPSCREW	19	80	IMPELLER	8, 9 & 10			

# 4280 PUMP PARTS

CENTERLINE DISCHARGE

"M" SIZE 1 1/4" IMPELLER BORE ----- 1 5/8" MECHANICAL SEAL

<b>ITEM 100 CASING</b>			
<b>PUMP SIZE</b>	<b>CONST.</b>	<b>PART NUMBER</b>	<b>BAR CODE</b>
4 X 3 X 6W	B. F.	427292-011	
4 X 3 X 6W	A. B.	427292-041	
4 X 3 X 6W	D. I.	427293-031	
1 1/2 X 1 X 8	B. F.	426188-011	
1 1/2 X 1 X 8	A. B.	426188-041	
1 1/2 X 1 X 8	D. I.	426189-031	
3 X 1 1/2 X 8	B. F.	426599-011	
3 X 1 1/2 X 8	A. B.	426599-041	
3 X 1 1/2 X 8	D. I.	426600-031	
3 X 2 X 8	B. F.	426125-011	
3 X 2 X 8	A. B.	426125-041	
3 X 2 X 8	D. I.	426126-031	
3 X 2 1/2 X 8	B. F.	427236-011	
3 X 2 1/2 X 8	A. B.	427236-041	
3 X 2 1/2 X 8	D. I.	427237-031	
4 X 3 X 8	B. F.	426129-011	
4 X 3 X 8	A. B.	426129-041	
4 X 3 X 8	D. I.	426130-031	
5 X 4 X 8	B. F.	426107-011	
5 X 4 X 8	A. B.	426107-041	
5 X 4 X 8	D. I.	426108-031	

CASINGS CONTINUED ON PAGE 4

# 4280 PUMP PARTS

CENTERLINE DISCHARGE

"M" SIZE 1 1/4" IMPELLER BORE ----- 1 5/8" MECHANICAL SEAL

## ITEM 100 CASING (cont'd)

PUMP SIZE	CONST.	PART NUMBER	BAR CODE
6 X 4 X 8W	B. F.	426624-011	
6 X 4 X 8W	A. B.	426624-041	
6 X 4 X 8W	D. I.	426625-031	
8 X 8 X 8	B. F.	427913-011	
8 X 8 X 8	A. B.	427913-041	
8 X 8 X 8	D. I.	427914-031	
2 X 1 X 10	B. F.	426137-011	
2 X 1 X 10	A. B.	426137-041	
2 X 1 X 10	D. I.	426138-031	
2 X 1.5 X 10	B. F.	426259-011	
2 X 1.5 X 10	A. B.	426259-041	
2 X 1.5 X 10	D. I.	426260-031	
3 X 1 1/2 X 10	B. F.	426139-011	
3 X 1 1/2 X 10	A. B.	426139-041	
3 X 1 1/2 X 10	D. I.	426140-031	
3 X 2 X 10	B. F.	426143-011	
3 X 2 X 10	A. B.	426143-041	
3 X 2 X 10	D. I.	426144-031	
3 X 2 1/2 X 10	B. F.	427290-011	
3 X 2 1/2 X 10	A. B.	427290-041	
3 X 2 1/2 X 10	D. I.	427291-031	
4 X 3 X 10	B. F.	426149-011	
4 X 3 X 10	A. B.	426149-041	
4 X 3 X 10	D. I.	426150-031	

CASINGS CONTINUED ON PAGE 5

# 4280 PUMP PARTS

## CENTERLINE DISCHARGE

"M" SIZE 1 1/4" IMPELLER BORE ----- 1 5/8" MECHANICAL SEAL

### ITEM 100 CASING (cont'd)

PUMP SIZE	CONST.	PART NUMBER	BAR CODE
5 X 4 X 10	B. F.	426111-011	
5 X 4 X 10	A. B.	426111-041	
5 X 4 X 10	D. I.	426112-031	
6 X 4 X 10	B. F.	426153-011	
6 X 4 X 10	A. B.	426153-041	
6 X 4 X 10	D. I.	426154-031	
6 X 5 X 10	B. F.	427238-011	
6 X 5 X 10	D. I.	427238-041	
6 X 5 X 10	B. F.	427238-031	
8 X 6 X 10	B. F.	426605-011	
8 X 6 X 10	A. B.	426605-041	
8 X 6 X 10	D. I.	426606-031	
4 X 3 X 11 1/2	B. F.	426147-011	
4 X 3 X 11 1/2	A. B.	426147-041	
4 X 3 X 11 1/2	D. I.	426148-031	
5 X 4 X 11 1/2	B. F.	426151-011	
5 X 4 X 11 1/2	A. B.	426151-041	
5 X 4 X 11 1/2	D. I.	426152-031	
6 X 5 X 11 1/2	B. F.	426155-011	
6 X 5 X 11 1/2	A. B.	426155-041	
6 X 5 X 11 1/2	D. I.	426156-031	

CASINGS CONTINUED ON PAGE 6

# 4280 PUMP PARTS

CENTERLINE DISCHARGE

"M" SIZE 1 1/4" IMPELLER BORE ----- 1 5/8" MECHANICAL SEAL

## ITEM 100 CASING (cont'd)

PUMP SIZE	CONST.	PART NUMBER	BAR CODE
8 X 6 X 11 1/2	B. F.	426159-011	
8 X 6 X 11 1/2	A. B.	426159-041	
8 X 6 X 11 1/2	D. I.	426160-031	
3 X 1 1/2 X 13	B. F.	426607-011	
3 X 1 1/2 X 13	A. B.	426607-041	
3 X 1 1/2 X 13	D. I.	426608-031	
3 X 2 X 13	B. F.	426165-011	
3 X 2 X 13	A. B.	426165-041	
3 X 2 X 13	D. I.	426166-031	
4 X 3 X 13	B. F.	426169-011	
4 X 3 X 13	A. B.	426169-041	
4 X 3 X 13	D. I.	426170-031	
6 X 4 X 13 <sup>†</sup>	B.F	427195-011	
6 X 4 X 13 <sup>†</sup>	D.I	427196-031	
6 X 4 X 13H	B.F	427195-017	
6 X 4 X 13H	D.I	427196-037	
6 x 5 x 13	B.F. & A.I.	427191-011	
6 x 5 x 13	D.I.	427192-031	
6 x 5 x 13H	B.F. & A.I.	427191-017	
6 x 5 x 13H	D.I.	427192-037	

**Notes:** † For 6x4x13 units pre-June 2013, casing & impeller must be replaced together. Contact Armstrong for details.

**CASINGS CONTINUED ON PAGE 7**



# 4280 PUMP PARTS

CENTERLINE DISCHARGE

"M" SIZE 1 1/4" IMPELLER BORE ----- 1 5/8" MECHANICAL SEAL

## ITEM 100 CASING (cont'd)

PUMP SIZE	CONST.	PART NUMBER	BAR CODE
8 X 6 X 13	B. F.	426177-011	
8 X 6 X 13	A. B.	426177-041	
8 X 6 X 13	D. I.	426178-031	

# 4280 PUMP PARTS

CENTERLINE DISCHARGE

"M" SIZE 1 1/4" IMPELLER BORE ----- 1 5/8" MECHANICAL SEAL

## ITEM 80 IMPELLER\*

PUMP SIZE	CONSTRUCTION	PART NUMBER	BAR CODE
4 X 3 X 6W	B. F. & A. B.	427118-041	
4 X 3 X 6W	A. I.	427118-011	
1 1/2 X 1 X 8	B. F. & A. B.	426229-041	
1 1/2 X 1 X 8	A. I.	426229-011	
3 X 1 1/2 X 8	B. F. & A. B.	427122-041	
3 X 1 1/2 X 8	A. I.	427122-011	
3 X 2 X 8	B. F. & A. B.	427126-041	
3 X 2 X 8	A. I.	427126-011	
3 X 2 1/2 X 8	B. F. & A. B.	427128-041	
3 X 2 1/2 X 8	A. I.	427128-011	
4 X 3 X 8	B. F. & A. B.	427130-041	
4 X 3 X 8	A. I.	427130-011	
5 X 4 X 8	B. F. & A. B.	427138-041	
5 X 4 X 8	A. I.	427138-011	
6 X 4 X 8W	B. F. & A. B.	427138-041	
6 X 4 X 8W	A. I.	427138-041	
8 X 8 X 8	B. F. & A. B.	427918-041	
8 X 8 X 8	A. I.	427918-011	

**Notes:** \* Impeller Part Numbers are for unbalanced, full diameter impellers. Always specify the Pump Serial Number. If possible, measure the diameter of the impeller being replaced.

IMPELLERS CONTINUED ON PAGE 9

# 4280 PUMP PARTS

## CENTERLINE DISCHARGE

"M" SIZE 1 1/4" IMPELLER BORE ----- 1 5/8" MECHANICAL SEAL

### ITEM 80 IMPELLER\* (cont'd)

PUMP SIZE	CONSTRUCTION	PART NUMBER	BAR CODE
2 X 1 X 10	B. F. & A. B.	427152-041	
2 X 1 X 10	A. I.	427152-011	
2 X 1.5 X 10	B. F. & A. B.	426255-041	
2 X 1.5 X 10	A. I.	426255-011	
3 X 1 1/2 X 10	B. F.	427152-041	
3 X 1 1/2 X 10	A. I.	427152-011	
3 X 2 X 10	B. F. & A. B.	427164-041	
3 X 2 X 10	A. I.	427164-011	
3 X 2 1/2 X 10	B. F. & A. B.	427124-041	
3 X 2 1/2 X 10	A. I.	427124-011	
4 X 3 X 10	B. F. & A. B.	427150-041	
4 X 3 X 10	A. I.	427150-011	
5 X 4 X 10	B. F.	427154-041	
5 X 4 X 10	A. I.	427154-011	
6 X 4 X 10	B. F.	427154-041	
6 X 4 X 10	A. I.	427154-011	
6 X 5 X 10	B. F.	427160-041	
6 X 5 X 10	A. I.	427160-011	
8 X 6 X 10	B. F.	427157-041	
8 X 6 X 10	A. I.	427157-011	
4 X 3 X 11 1/2	B. F.	426282-041	
4 X 3 X 11 1/2	A. I.	426282-011	

**Notes:** \* Impeller Part Numbers are for unbalanced, full diameter impellers. Always specify the Pump Serial Number. If possible, measure the diameter of the impeller being replaced.

IMPELLERS CONTINUED ON PAGE 10

# 4280 PUMP PARTS

## CENTERLINE DISCHARGE

"M" SIZE 1 1/4" IMPELLER BORE ----- 1 5/8" MECHANICAL SEAL

### ITEM 80 IMPELLER\* (cont'd)

PUMP SIZE	CONSTRUCTION**	PART NUMBER	BAR CODE
5 X 4 X 11 1/2	B. F.	426284-041	
5 X 4 X 11 1/2	A. I.	426284-011	
6 X 5 X 11 1/2	B. F.	426288-041	
6 X 5 X 11 1/2	A. I.	426288-011	
8 X 6 X 11 1/2	B. F.	426289-041	
8 X 6 X 11 1/2	A. I.	426289-011	
3 X 1 1/2 X 13	B. F.	427161-041	
3 X 1 1/2 X 13	A. I.	427161-011	
3 X 2 X 13	B. F.	427165-041	
3 X 2 X 13	A. I.	427165-011	
4 X 3 X 13	B. F.	427169-041	
4 X 3 X 13	A. I.	427169-011	
6 X 4 X 13 <sup>†</sup>	B. F.	427186-041	
6 X 4 X 13 <sup>†</sup>	A. I.	427186-011	
6 X 4 X 13H	B. F.	427182-041	
6 X 4 X 13H	A. I.	427182-011	
6 x 5 x 13	B.F.	427182-041	
6 x 5 x 13H	B.F.	427177-041	
8 X 6 X 13	B. F.	427177-041	
8 X 6 X 13	A. I.	427177-011	

**Notes:** \* Impeller Part Numbers are for unbalanced, full diameter impellers. Always specify the Pump Serial Number. If possible, measure the diameter of the impeller being replaced.

† For 6x4x13 units pre-June 2013, casing & impeller must be replaced together. Contact Armstrong for details.

# 4280 PUMP PARTS

## CENTERLINE DISCHARGE

"M" SIZE 1 1/4" IMPELLER BORE ----- 1 5/8" MECHANICAL SEAL

<b>ITEM 40 &amp; 50 COMB. STUFF. BOX &amp; ADAPTER</b>				
<b>BRONZE FITTED ( B.F. ) &amp; ALL IRON ( A.I. ) CONSTRUCTION</b>				
<b>PUMP SIZE</b>	<b>MOTOR FRAME</b>			
	<b>254-256JM</b>	<b>284-326JM</b>	<b>213-215JP</b>	<b>284-326JP</b>
<b>4 X 3 X 6W</b>	<b>426748-011</b>			
<b>1 1/2 X 1 X 8</b>			<b>426750-011</b>	
<b>3 X 1 1/2 X 8</b>	<b>426751-011</b>	<b>426752-011</b>	<b>426750-011</b>	
<b>3 X 2 X 8</b>	<b>426751-011</b>	<b>426752-011</b>	<b>426750-011</b>	
<b>3 X 2 1/2 X 8</b>	<b>426751-011</b>	<b>426752-011</b>		
<b>4 X 3 X 8</b>	<b>426751-011</b>	<b>426752-011</b>	<b>426750-011</b>	
<b>5 X 4 X 8</b>	<b>426751-015</b>	<b>426752-015</b>	<b>426750-015</b>	
<b>6 X 4 X 8W</b>	<b>426751-015</b>	<b>426752-015</b>	<b>426750-015</b>	
<b>8 X 8 X 8</b>	<b>426751-015</b>		<b>426750-015</b>	
<b>2 X 1 X 10</b>	<b>426755-011</b>		<b>426754-011</b>	<b>426756-011</b>
<b>2 X 1.5 X 10</b>	<b>426755-011</b>		<b>426754-011</b>	<b>426756-011</b>
<b>3 X 1 1/2 X 10</b>	<b>426755-011</b>		<b>426754-011</b>	<b>426756-011</b>
<b>3 X 2 X 10</b>	<b>426755-011</b>		<b>426754-011</b>	<b>426756-011</b>
<b>3 X 2 1/2 X 10</b>	<b>426755-015</b>		<b>426754-015</b>	<b>426756-015</b>
<b>4 X 3 X 10</b>	<b>426755-015</b>		<b>426754-015</b>	
<b>5 X 4 X 10</b>	<b>426755-015</b>		<b>426754-011</b>	<b>426756-011</b>
<b>6 X 4 X 10</b>	<b>426755-015</b>		<b>426754-011</b>	<b>426756-011</b>
<b>6 X 5 X 10</b>	<b>426755-011</b>		<b>426754-011</b>	<b>426756-011</b>
<b>8 X 6 X 10</b>	<b>426755-011</b>			<b>426756-011</b>
<b>4 X 3 X 11 1/2</b>	<b>426742-011</b>		<b>426743-011</b>	<b>426744-011</b>
<b>5 X 4 X 11 1/2</b>	<b>426742-011</b>		<b>426743-011</b>	<b>426744-011</b>
<b>6 X 5 X 11 1/2</b>	<b>426742-011</b>			<b>426744-011</b>
<b>8 X 6 X 11 1/2</b>	<b>426742-011</b>			<b>426744-011</b>

CONTINUED ON PAGE 12

SEE PAGE 12 FOR BAR CODES

# 4280 PUMP PARTS

CENTERLINE DISCHARGE

"M" SIZE 1 1/4" IMPELLER BORE ----- 1 5/8" MECHANICAL SEAL

## ITEM 40 & 50 COMB. STUFF. BOX & ADAPTER

BRONZE FITTED ( B.F. ) & ALL IRON ( A.I. ) CONSTRUCTION

PUMP SIZE	MOTOR FRAME			
	254-256JM	284-326JM	213-215JP	284-326JP
3 X 1 1/2 X 13	426759-011	426375-111		426758-011
3 X 2 X 13	426759-011	426375-111		426758-011
4 X 3 X 13	426759-011	426375-111	SEE PAGE 17	426758-011
6 X 4 X 13	426759-011	426375-112	SEE PAGE 17	426758-011
6 X 4 X 13H	426759-011	426375-112	SEE PAGE 17	426758-011
6 x 5 x 13	426759-011	426375-112	SEE PAGE 17	426758-011
6 x 5 x 13H	426759-011	426375-112	SEE PAGE 17	426758-011
8 X 6 X 13	426759-011	426375-112	SEE PAGE 17	426758-011

## BAR CODES

426375-111		426752-011	
426375-112		426752-015	
426742-011		426754-011	
426743-011		426754-015	
426744-011		426755-011	
426748-011		426755-015	
426750-011		426756-011	
426750-015		426756-015	
426751-011		426758-011	
426751-015		426759-011	

# 4280 PUMP PARTS

## CENTERLINE DISCHARGE

"M" SIZE 1 1/4" IMPELLER BORE ----- 1 5/8" MECHANICAL SEAL

<b>ITEM 40 &amp; 50 COMB. STUFF. BOX &amp; ADAPTER</b>				
<b>DUCTILE IRON CONSTRUCTION</b>				
<b>PUMP SIZE</b>	<b>MOTOR FRAME</b>			
	<b>254-256JM</b>	<b>284-326JM</b>	<b>213-215JP</b>	<b>284-326JP</b>
<b>4 X 3 X 6W</b>	<b>426748-031</b>			
<b>1 1/2 X 1 X 8</b>			<b>426750-031</b>	
<b>3 X 1 1/2 X 8</b>	<b>426751-031</b>	<b>426752-031</b>	<b>426750-031</b>	
<b>3 X 2 X 8</b>	<b>426751-031</b>	<b>426752-031</b>	<b>426750-031</b>	
<b>3 X 2 1/2 X 8</b>	<b>426751-031</b>	<b>426752-031</b>		
<b>4 X 3 X 8</b>	<b>426751-031</b>	<b>426752-031</b>	<b>426750-031</b>	
<b>5 X 4 X 8</b>	<b>426751-035</b>	<b>426752-035</b>	<b>426750-035</b>	
<b>6 X 4 X 8W</b>	<b>426751-035</b>	<b>426752-035</b>	<b>426750-035</b>	
<b>8 X 8 X 8</b>	<b>426751-035</b>		<b>426750-035</b>	
<b>2 X 1 X 10</b>	<b>426755-031</b>		<b>426754-031</b>	<b>426756-031</b>
<b>2 X 1.5 X 10</b>	<b>426755-031</b>		<b>426754-031</b>	<b>426756-031</b>
<b>3 X 1 1/2 X 10</b>	<b>426755-031</b>		<b>426754-031</b>	<b>426756-031</b>
<b>3 X 2 X 10</b>	<b>426755-031</b>		<b>426754-031</b>	<b>426756-031</b>
<b>3 X 2 1/2 X 10</b>	<b>426755-035</b>		<b>426754-031</b>	<b>426756-035</b>
<b>4 X 3 X 10</b>	<b>426755-035</b>		<b>426754-035</b>	
<b>5 X 4 X 10</b>	<b>426755-035</b>		<b>426754-031</b>	<b>426756-031</b>
<b>6 X 4 X 10</b>	<b>426755-035</b>		<b>426754-031</b>	<b>426756-031</b>
<b>6 X 5 X 10</b>	<b>426755-031</b>		<b>426754-031</b>	<b>426756-031</b>
<b>8 X 6 X 10</b>	<b>426755-031</b>			<b>426756-031</b>
<b>4 X 3 X 11 1/2</b>	<b>426742-031</b>		<b>426743-031</b>	<b>426744-031</b>
<b>5 X 4 X 11 1/2</b>	<b>426742-031</b>		<b>426743-031</b>	<b>426744-031</b>
<b>6 X 5 X 11 1/2</b>	<b>426742-031</b>			<b>426744-031</b>
<b>8 X 6 X 11 1/2</b>	<b>426742-031</b>			<b>426744-031</b>

CONTINUED ON PAGE 14

SEE PAGE 14 FOR BAR CODES

# 4280 PUMP PARTS

CENTERLINE DISCHARGE

"M" SIZE 1 1/4" IMPELLER BORE ----- 1 5/8" MECHANICAL SEAL

## ITEM 40 & 50 COMB. STUFF. BOX & ADAPTER DUCTILE IRON CONSTRUCTION

PUMP SIZE	MOTOR FRAME			
	254-256JM	284-326JM	213-215JP	284-326JP
3 X 1 1/2 X 13	426759-031	426375-131		426758-031
3 X 2 X 13	426759-031	426375-131		426758-031
4 X 3 X 13	426759-031	426375-131	SEE PAGE 17	426758-031
6 X 4 X 13	426759-031	426375-132	SEE PAGE 17	426758-031
6 X 4 X 13H	426759-031	426375-132	SEE PAGE 17	426758-031
6 x 5 x 13	426759-031	426375-132	SEE PAGE 17	426758-031
6 x 5 x 13H	426759-031	426375-132	SEE PAGE 17	426758-031
8 X 6 X 13	426759-031	426375-132	SEE PAGE 17	426758-031

## BAR CODES

426375-131		426752-031	
426375-132		426752-035	
426742-031		426754-031	
426743-031		426754-035	
426744-031		426755-031	
426748-031		426755-035	
426750-031		426756-031	
426750-035		426756-035	
426751-031		426758-031	
426751-015		426759-031	



# 4280 PUMP PARTS

CENTERLINE DISCHARGE

"M" SIZE 1 1/4" IMPELLER BORE ----- 1 5/8" MECHANICAL SEAL

<b>ITEM 40 &amp; 50 COMB. STUFF. BOX &amp; ADAPTER</b>				
<b>ALL BRONZE CONSTRUCTION</b>				
<b>PUMP SIZE</b>	<b>MOTOR FRAME</b>			
	<b>254-256JM</b>	<b>284-326JM</b>	<b>213-215JP</b>	<b>284-326JP</b>
<b>4 X 3 X 6W</b>	<b>426748-041</b>			
<b>1 1/2 X 1 X 8</b>			<b>426750-041</b>	
<b>3 X 1 1/2 X 8</b>	<b>426751-041</b>	<b>426752-041</b>	<b>426750-041</b>	
<b>3 X 2 X 8</b>	<b>426751-041</b>	<b>426752-041</b>	<b>426750-041</b>	
<b>3 X 2 1/2 X 8</b>	<b>426751-041</b>	<b>426752-041</b>		
<b>4 X 3 X 8</b>	<b>426751-041</b>	<b>426752-041</b>	<b>426750-041</b>	
<b>5 X 4 X 8</b>	<b>426751-045</b>	<b>426752-041</b>	<b>426750-045</b>	
<b>6 X 4 X 8W</b>	<b>426751-045</b>	<b>426752-045</b>	<b>426750-045</b>	
<b>8 X 8 X 8</b>	<b>426751-045</b>		<b>426750-045</b>	
<b>2 X 1 X 10</b>	<b>426755-041</b>		<b>426754-041</b>	<b>426756-041</b>
<b>2 X 1.5 X 10</b>	<b>426755-041</b>		<b>426754-041</b>	<b>426756-041</b>
<b>3 X 1 1/2 X 10</b>	<b>426755-041</b>		<b>426754-041</b>	<b>426756-041</b>
<b>3 X 2 X 10</b>	<b>426755-041</b>		<b>426754-041</b>	<b>426756-041</b>
<b>3 X 2 1/2 X 10</b>	<b>426755-045</b>		<b>426754-045</b>	<b>426756-045</b>
<b>4 X 3 X 10</b>	<b>426755-045</b>		<b>426754-045</b>	
<b>5 X 4 X 10</b>	<b>426755-045</b>		<b>426754-041</b>	<b>426756-041</b>
<b>6 X 4 X 10</b>	<b>426755-045</b>		<b>426754-041</b>	<b>426756-041</b>
<b>6 X 5 X 10</b>	<b>426755-041</b>		<b>426754-041</b>	<b>426756-041</b>
<b>8 X 6 X 10</b>	<b>426755-041</b>			<b>426756-041</b>
<b>4 X 3 X 11 1/2</b>	<b>426742-041</b>		<b>426743-011</b>	<b>426744-041</b>
<b>5 X 4 X 11 1/2</b>	<b>426742-041</b>		<b>426743-011</b>	<b>426744-041</b>
<b>6 X 5 X 11 1/2</b>	<b>426742-011</b>			<b>426744-041</b>
<b>8 X 6 X 11 1/2</b>	<b>426742-011</b>			<b>426744-041</b>

CONTINUED ON PAGE 16

SEE PAGE 16 FOR BAR CODES

# 4280 PUMP PARTS

CENTERLINE DISCHARGE

"M" SIZE 1 1/4" IMPELLER BORE ----- 1 5/8" MECHANICAL SEAL

## ITEM 40 & 50 COMB. STUFF. BOX & ADAPTER ALL BRONZE CONSTRUCTION

PUMP SIZE	MOTOR FRAME			
	254-256JM	284-326JM	213-215JP	284-326JP
3 X 1 1/2 X 13	426759-041	426375-141		426758-041
3 X 2 X 13	426759-041	426375-141		426758-041
4 X 3 X 13	426759-041	426375-141	SEE PAGE 17	426758-041
6 X 4 X 13	426759-041	426375-142	SEE PAGE 17	426758-041
6 X 4 X 13H	426759-041	426375-142	SEE PAGE 17	426758-041
6 x 5 x 13	426759-041	426375-142	SEE PAGE 17	426758-041
6 x 5 x 13H	426759-041	426375-142	SEE PAGE 17	426758-041
8 X 6 X 13	426759-041	426375-142	SEE PAGE 17	426758-041

## BAR CODES

426375-141		426752-041	
426375-142		426752-045	
426742-041		426754-041	
426743-041		426754-045	
426744-041		426755-041	
426748-041		426755-045	
426750-041		426756-041	
426750-045		426756-045	
426751-041		426758-041	
426751-045		426759-041	

# 4280 PUMP PARTS

CENTERLINE DISCHARGE

"M" SIZE 1 1/4" IMPELLER BORE ----- 1 5/8" MECHANICAL SEAL

<b>ITEM 40 ADAPTER</b>		
<b>MOTOR FRAMES 213 - 215JP</b>		
<b>PUMP SIZE</b>	<b>PART NUMBER</b>	<b>BAR CODE</b>
4 X 3 X 13	FOR B.F. - D.I. & A.B. CONSTRUCTIONS  426388-111	
6 X 4 X 13		
6 X 4 X 13H		
6 x 5 x 13		
6 x 5 x 13H		
8 X 6 X 13		

<b>ITEM 50 STUFFING BOX</b>			
<b>MOTOR FRAMES 213 - 215JP</b>			
<b>PUMP SIZE</b>	<b>CONST.</b>	<b>PART NUMBER</b>	<b>BAR CODE</b>
4 X 3 X 13	B.F.	426545-111	
6 X 4 X 13			
6 X 4 X 13H	D.I.	426545-131	
6 x 5 x 13			
6 x 5 x 13H	A.B.	426545-141	
8 X 6 X 13			

# 4280 PUMP PARTS

CENTERLINE DISCHARGE

"M" SIZE 1 1/4" IMPELLER BORE ----- 1 5/8" MECHANICAL SEAL

## ITEM 101 CASING GASKET

PUMP SIZE	PART NUMBER	BAR CODE
4X3X6W	426401-002	
1 1/2 X 1 X 8 3 X 1 1/2 X 8 3 X 2 X 8 3 X 2 1/2 X 8 4 X 3 X 8 5 X 4 X 8 6 X 4 X 8W 8 X 8 X 8	426401-003	
2 X 1 X 10 2 X 1.5 X 10 3 X 1 1/2 X 10 3 X 2 X 10 3 X 2 1/2 X 10 4 X 3 X 10 5 X 4 X 10 6 X 4 X 10 6 X 5 X 10 8 X 6 X 10	426401-004	
4 X 3 X 11 1/2 5 X 4 X 11 1/2 6 X 5 X 11 1/2 8 X 6 X 11 1/2	426401-006	
3 X 1 1/2 X 13 3 X 2 X 13 4 X 3 X 13 6 X 4 X 13 6 X 4 X 13H 6 x 5 x 13 6 x 5 x 13H 8 X 6 X 13	426401-005	

# 4280 PUMP PARTS

CENTERLINE DISCHARGE

"M" SIZE 1 1/4" IMPELLER BORE ----- 1 5/8" MECHANICAL SEAL

## ITEM 44 MOTOR CAPSCREW & WASHER

PUMP SIZE	MOTOR FRAME			
	254-256JM	284-326JM	213-215JP	284-326JP
	4 REQUIRED	4 REQUIRED	4 REQUIRED	4 REQUIRED
4 X 3 X 6W	CAPSCREW 1/2"-13NC 1 1/4" LONG 911125-110	CAPSCREW 5/8"-11NC 1 1/4" LONG 911129-110	CAPSCREW 1/2"-13NC 1 1/4" LONG 911125-110	
1 1/2 X 1 X 8		WASHER 5/8" FLAT 927121-100		
3 X 1 1/2 X 8				
3 X 2 X 8				
3 X 2 1/2 X 8				
4 X 3 X 8				
5 X 4 X 8				
6 x 4 x 8W				
8 X 8 X 8				
2 X 1 X 10				
2 X 1.5 X 10				
3 X 1 1/2 X 10				
3 X 2 X 10				
3 X 2 1/2 X 10				
4 X 3 X 10				
5 X 4 X 10				
6 X 4 X 10				
6 X 5 X 10				
8 X 6 X 10				
4 X 3 X 11 1/2	WASHER 1/2" FLAT 927117-100	CAPSCREW 5/8"-11NC 1 3/4" LONG 911129-114	WASHER 5/8" FLAT 927121-100	
5 X 4 X 11 1/2				
6 X 5 X 11 1/2				
8 X 6 X 11 1/2				
3 X 1 1/2 X 13	WASHER 1/2" FLAT 927117-100	WASHER 5/8" FLAT 927121-100		
3 X 2 X 13				
4 X 3 X 13				
6 X 4 X 13				
6 X 4 X 13H				
6 x 5 x 13				
6 x 5 x 13H				
8 X 6 X 13				

### BAR CODES

911125-110		911129-114	
911129-110		927117-100	
911129-112		927121-100	

# 4280 PUMP PARTS

## CENTERLINE DISCHARGE

"M" SIZE 1 1/4" IMPELLER BORE ----- 1 5/8" MECHANICAL SEAL

### ITEM 104 CASING CAPSCREW & WASHER

PUMP SIZE	NO. REQ'D	SIZE	PART NUMBER	BAR CODE
4 X 3 X 6W	8	CAPSCREW 1/2" - 13NC X 1 1/4"LG.	911125-110	
	8	WASHER 1/2" - SAE FLAT	927117-100	
1 1/2 X 1 X 8 3 X 1 1/2 X 8 3 X 2 X 8 3 X 2 1/2 X 8 4 X 3 X 8 5 X 4 X 8 6 X 4 X 8 8 X 8 X 8	8	HX. HD. CAPSCREW 5/8" - 11NC X 1 1/2"LG.	911129-112	
	8	WASHER 5/8" - SAE FLAT	927121-100	
2 X 1 X 10 2 X 1.5 X 10 3 X 1 1/2 X 10 3 X 2 X 10 3 X 2 1/2 X 10 4 X 3 X 10 5 X 4 X 10 6 X 4 X 10 6 X 5 X 10 8 X 6 X 10	12	CAPSCREW 5/8" - 11NC X 1 1/2"LG.	911129-112	
	12	WASHER 5/8 - SAE FLAT	927121-100	
4 X 3 X 11 1/2 5 X 4 X 11 1/2 6 X 5 X 11 1/2 8 X 6 11 1/2	12	CAPSCREW 1/2" - 13NC X 1 1/2"LG.	911125-112	
	12	WASHER 1/2" - SAE FLAT	927117-100	
3 X 1 1/2 X 13 3 X 2 X 13 4 X 3 X 13 6 X 4 X 13 6 X 4 X 13H 6 x 5 x 13 6 x 5 x 13H 8 X 6 X 13	16	CAPSCREW 5/8" - 11NC X 1 1/2"LG.	911129-112	
	12	WASHER 5/8 - SAE FLAT	927121-100	

# 4280 PUMP PARTS

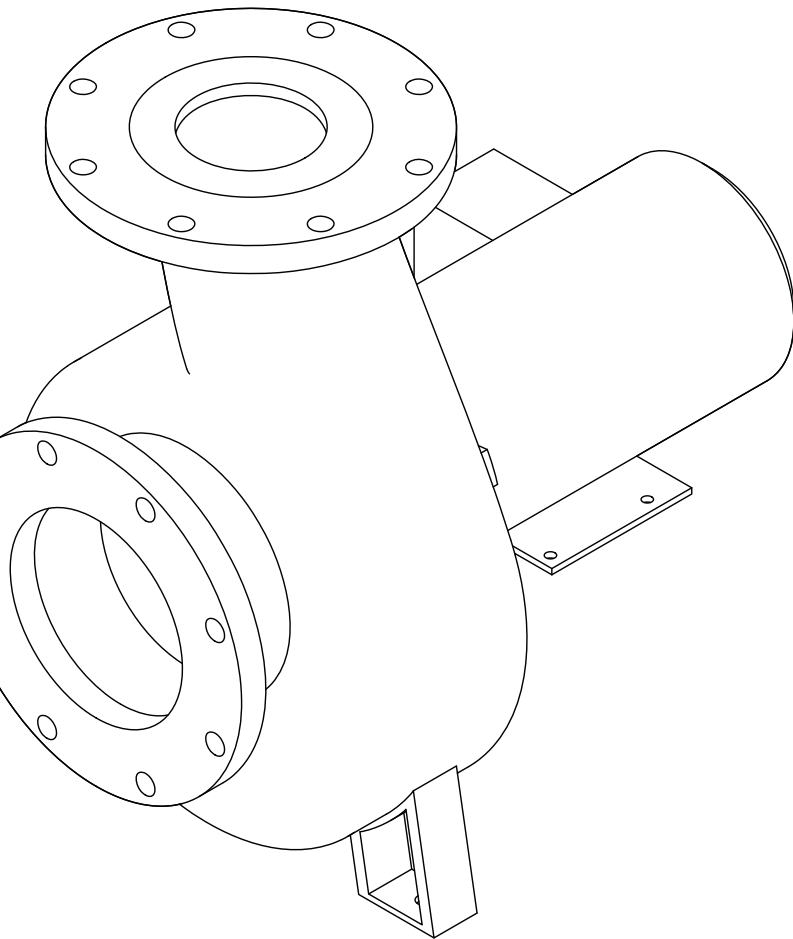
CENTERLINE DISCHARGE

"M" SIZE 1 1/4" IMPELLER BORE ----- 1 5/8" MECHANICAL SEAL

<b>COMMON PARTS</b>				
<b>ITEM NO.</b>	<b>DESCRIPTION</b>	<b>CONST.</b>	<b>PART NUMBER</b>	<b>BAR CODE</b>
70	SHAFT SLEEVE FRAMES 254-256 & 284-326JM	B.F.	425869-003	
70	SHAFT SLEEVE FRAMES 254-256 & 284-326JM	A.I.	425869-004	
70	SHAFT SLEEVE FRAMES 213-215 & 284-326JP	B.F.	425869-021	
70	SHAFT SLEEVE FRAMES 213-215 & 284-326JP	A.I.	425869-022	
62	MECHANICAL SEAL KIT	ALL	975000-984**	
71	SLEEVE SPACER	ALL	425868-004	
39	WATER SLINGER	ALL	419315-000	
83	IMPELLER WASHER	ALL	425742-003	
84	IMPELLER LOCKWASHER	ALL	927213-400	
86	IMPELLER CAPSCREW	ALL	911900-119	

\*\* For liquids above 200°F/93°C use 9975001-833 (-633 if potable drinking water above 200°F/93°C)  
For glycols above 30% by weight use 9975001-837 (-838 if above 200°F/93°C)

<b>ITEMS 70 &amp; 71 SHAFT SLEEVE &amp; SPACER KITS</b>				
<b>ITEM</b>	<b>DESCRIPTION</b>	<b>CONST.</b>	<b>PART</b>	<b>BAR CODE</b>
70 & 71	SHAFT SLV. & SPACER KIT FRAMES 254-256 & 284-326JM	B.F.	810150-154	
70 & 71	SHAFT SLV. & SPACER KIT FRAMES 254-256 & 284-326JM	A.I.	810150-155	
70 & 71	SHAFT SLV. & SPACER KIT FRAMES 213-215 & 284-326JP	B.F.	810150-152	
70 & 71	SHAFT SLV. & SPACER KIT FRAMES 213-215 & 284-3JP26	A.I.	810150-153	



---

## Parts list

---

### Series 4280 closed coupled or motor mounted pump

---

**Centerline discharge**  
**"S" designation**

$\frac{7}{8}$ " impeller bore

$\frac{1}{4}$ " mechanical seal

**File No:** 6042.127

**Date:** MAY 31, 2013

**Supersedes:** 6042.127

**Date:** DECEMBER 21, 2011

---



**4280 POWER FRAMES: ALL SPEEDS**

SPEED	MOTOR HORSEPOWER																	
	1/4	1	1 1/2	2	3	5	7 1/2	10	15	20	25	30	30					
1150 RPM																		
1750 RPM																		
3500 RPM																		
FRAME	143JM	145JM	182JM	184JM	213JM	215JM	213JP	215JP	254JM	256JM	284JM	286JM	284JP	286JP	324JM	326JM	324JP	326JP
<b>PUMP SIZE</b>																		
1 1/2 x 1 x 6	S	S	S	S	S	S												
3 x 1 1/2 x 6	S	S	S	S	S	S	S	S										
3 x 2 x 6	S	S	S	S	S	S	S	S										
3 x 2 1/2 x 6	S	S	S	S	S	S	S	S										
4 x 3 x 6	S	S	S	S	S	S	S	S										
4 x 3 x 6W	S	S	S	S	S	S	S	S	M	M								
1 1/2 x 1 x 8	S	S	S	S	S	S	M	M										
3 x 1 1/2 x 8	S	S	S	S	S	S	M	M	M	M			M	M				
3 x 2 x 8	S	S	S	S	S	S	M	M	M	M			M	M				
3 x 2 1/2 x 8	S	S	S	S	S	S	M	M	M	M			M	M				
4 x 3 x 8	S	S	S	S	S	S	M	M	M	M			M	M				
5 x 4 x 8	S	S	S	S	S	S	M	M	M	M			M	M				
6 x 4 x 8	S	S	S	S	S	S	M	M	M	M			M	M				
8 x 8 x 8	S	S	S	S	S	S	M	M	M	M			M	M				
2 x 1 x 10	S	S	S	S	S	S	M	M	M	M			M	M				
2 x 1 1/2 x 10	S	S	S	S	S	S	M	M	M	M			M	M				
3 x 1 1/2 x 10	S	S	S	S	S	S	M	M	M	M			M	M				
3 x 2 x 10	S	S	S	S	S	S	M	M	M	M			M	M				
3 x 2 1/2 x 10	S	S	S	S	S	S	M	M	M	M			M	M				
4 x 3 x 10	S	S	S	S	S	S	M	M	M	M			M	M				
5 x 4 x 10							M	M	M	M			M	M				
6 x 4 x 10							M	M	M	M			M	M				
8 x 6 x 10							M	M	M	M			M	M				
4 x 3 x 11 1/2				S			M	M	M	M			M	M				
5 x 4 x 11 1/2							M	M	M	M			M	M				
6 x 5 x 11 1/2							M	M	M	M			M	M				
8 x 6 x 11 1/2							M	M	M	M			M	M				
3 x 1 1/2 x 13							M	M	M	M			M	M				
3 x 2 x 13							M	M	M	M			M	M				
4 x 3 x 13							M	M	M	M			M	M				
6 x 4 x 13							M	M	M	M			M	M				
6 x 4 x 13H							M	M	M	M			M	M				
6 x 5 x 13							M	M	M	M			M	M				
6 x 5 x 13H							M	M	M	M			M	M				
8 x 6 x 13							M	M	M	M			M	M				

"S" DESIGNATION - 7/8" IMPELLER BORE, 1 1/4" MECHANICAL SEAL  
 "M" DESIGNATION - 1 1/4" IMPELLER BORE, 1 5/8" MECHANICAL SEAL

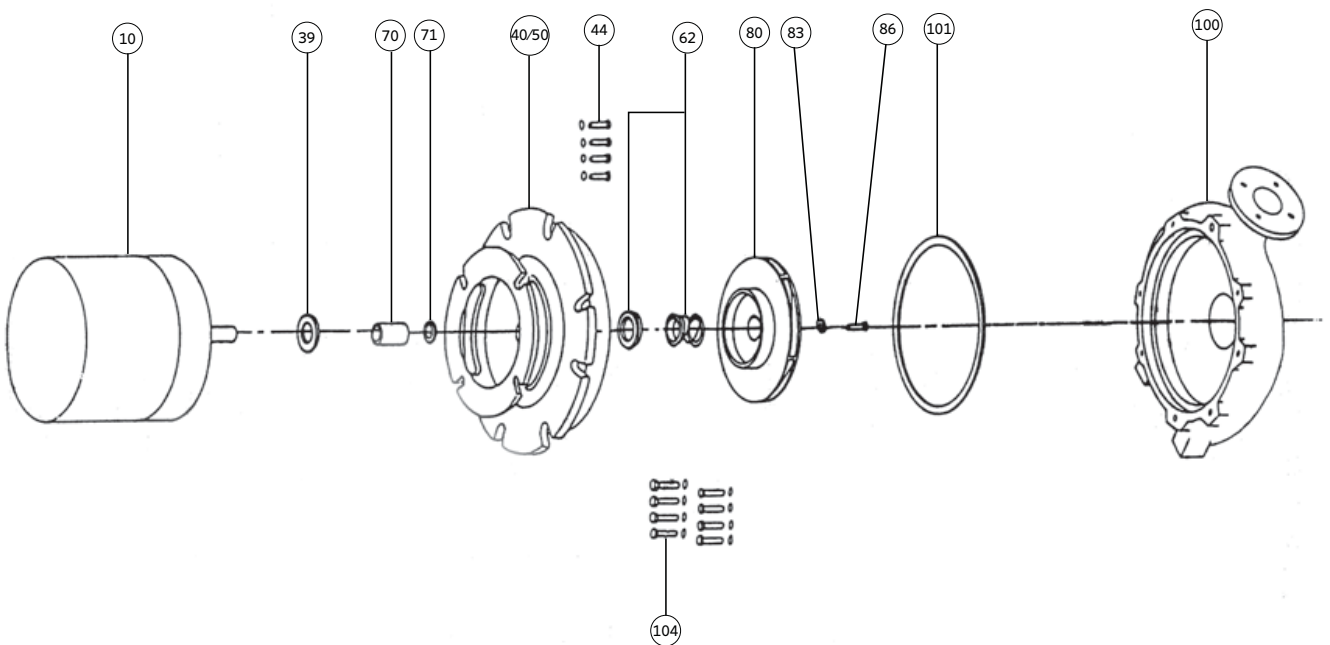
# Model 4280

## 4280 New style center line discharge, close coupled/ motor mounted pump

### "S" DESIGNATION

7/8" IMPELLER BORE - 1 1/4" MECHANICAL SEAL

Exploded View



### INDEX

ITEM	DESCRIPTION	PAGE	ITEM	DESCRIPTION	PAGE	ITEM	DESCRIPTION	PAGE
39	Water slinger	14	62	Mechanical seal	14	83	Impeller washer	14
44	Motor capscrew	12	70	Shaft sleeve	14	86	Impeller capscrew	14
40/50	Adapter/Stuffing box BF	8	71	Shaft sleeve spacer	14	100	Casing	7
40/50	Adapter/Stuffing box AB	9	70/71	Shaft sleeve kit	14	101	Casing gasket	3 & 4
40/50	Adapter/Stuffing box DI	10	80	Impeller	6 & 7	104	Adapt. stuff. box capscrews	13

4

# Model 4280

## Centerline discharge

"S" SIZE  $\frac{7}{8}$ " IMPELLER BORE -  $1\frac{1}{4}$ " MECHANICAL SEAL

### ITEM 100 CASING

PUMP SIZE	CONSTRUCTION	PART NUMBER	BAR CODE
1½ x 1 x 6	BF	426101-011	
1½ x 1 x 6	AB	426101-041	
1½ x 1 x 6	AI - DI	426102-031	
3 x 1½ x 6	BF	426597-011	
3 x 1½ x 6	AB	426597-041	
3 x 1½ x 6	AI - DI	426598-031	
3 x 2 x 6	BF	426109-011	
3 x 2 x 6	AB	426109-041	
3 x 2 x 6	AI - DI	426110-031	
3 x 2½ x 6	BF	427107-011	
3 x 2½ x 6	AB	427107-041	
3 x 2½ x 6	AI - DI	427108-031	
4 x 3 x 6	BF	427292-011	
4 x 3 x 6	AB	427292-041	
4 x 3 x 6	AI - DI	427293-031	
1½ x 1 x 8	BF	426188-011	
1½ x 1 x 8	AB	426188-041	
1½ x 1 x 8	AI - DI	426189-031	
3 x 1½ x 8	BF	426599-011	
3 x 1½ x 8	AB	426599-041	
3 x 1½ x 8	AI - DI	426600-031	
3 x 2 x 8	BF	426125-011	
3 x 2 x 8	AB	426125-041	
3 x 2 x 8	AI - DI	426126-031	
3 x 2½ x 8	BF	427236-011	
3 x 2½ x 8	AB	427236-041	
3 x 2½ x 8	AI - DI	427237-031	
4 x 3 x 8	BF	426129-011	
4 x 3 x 8	AB	426129-041	
4 x 3 x 8	AI - DI	426130-031	
5 x 4 x 8	BF	426107-011	
5 x 4 x 8	AB	426107-041	
5 x 4 x 8	AI - DI	426108-031	

# Model 4280

## Centerline discharge

"S" SIZE 7/8" IMPELLER BORE - 1 1/4" MECHANICAL SEAL

### ITEM 100 CASING

PUMP SIZE	CONSTRUCTION	PART NUMBER	BAR CODE
6 x 4 x 8W	BF	426624-011	
6 x 4 x 8W	AB	426624-041	
6 x 4 x 8W	AI - DI	426625-031	
8 x 8 x 8	BF	427913-011	
8 x 8 x 8	AB	427913-041	
8 x 8 x 8	AI - DI	427913-031	
2 x 1 x 10	BF	426137-011	
2 x 1 x 10	AB	426137-041	
2 x 1 x 10	AI - DI	426138-031	
2 x 1 1/2 x 10	BF	426259-011	
2 x 1 1/2 x 10	AB	426259-041	
2 x 1 1/2 x 10	AI - DI	426260-031	
3 x 1 1/2 x 10	BF	426139-011	
3 x 1 1/2 x 10	AB	426139-041	
3 x 1 1/2 x 10	AI - DI	426140-031	
3 x 2 x 10	BF	426143-011	
3 x 2 x 10	AB	426143-041	
3 x 2 x 10	AI - DI	426144-031	
3 x 2 1/2 x 10	BF	427290-011	
3 x 2 1/2 x 10	AB	427290-041	
3 x 2 1/2 x 10	AI - DI	427291-031	
4 x 3 x 10	BF	426149-011	
4 x 3 x 10	AB	426149-041	
4 x 3 x 10	AI - DI	426150-031	
4 x 3 x 11 1/2	BF	426147-011	
4 x 3 x 11 1/2	AB	426147-041	
4 x 3 x 11 1/2	AI - DI	426148-031	

# Model 4280

## Centerline discharge

"S" SIZE  $\frac{7}{8}$ " IMPELLER BORE -  $1\frac{1}{4}$ " MECHANICAL SEAL

### ITEM 80 IMPELLER\*

PUMP SIZE	CONSTRUCTION	PART NUMBER	BAR CODE
1½ x 1 x 6	BF - AB	427101-041	
1½ x 1 x 6	DI - AI	427101-011	
3 x 1½ x 6	BF - AB	427109-041	
3 x 1½ x 6	DI - AI	427109-011	
3 x 2 x 6	BF - AB	427111-041	
3 x 2 x 6	DI - AI	427111-011	
3 x 2½ x 6	BF - AB	427103-041	
3 x 2½ x 6	DI - AI	427103-011	
4 x 3 x 6	BF - AB	427117-041	
4 x 3 x 6	DI - AI	427117-011	
1½ x 1 x 8	BF - AB	426228-041	
1½ x 1 x 8	DI - AI	426228-011	
3 x 1½ x 8	BF - AB	427121-041	
3 x 1½ x 8	DI - AI	427121-011	
3 x 2 x 8	BF - AB	427125-041	
3 x 2 x 8	DI - AI	427125-011	
3 x 2½ x 8	BF - AB	427127-041	
3 x 2½ x 8	DI - AI	427127-011	
4 x 3 x 8	BF - AB	427129-041	
4 x 3 x 8	DI - AI	427129-011	
5 x 4 x 8	BF - AB	427137-041	
5 x 4 x 8	DI - AI	427137-011	
6 x 4 x 8W	BF - AB	427137-041	
6 x 4 x 8W	DI - AI	427137-011	
8 x 8 x 8	BF - AB	427917-041	
8 x 8 x 8	DI - AI	427917-011	

# Model 4280

## Centerline discharge

"S" SIZE  $\frac{7}{8}$ " IMPELLER BORE -  $1\frac{1}{4}$ " MECHANICAL SEAL

### ITEM 80 IMPELLER\*

PUMP SIZE	CONSTRUCTION	PART NUMBER	BAR CODE
2 x 1 x 10	BF - AB	427151-041	
2 x 1 x 10	DI - AI	427151-011	
2 x 1½ x 10	BF - AB	426255-041	
2 x 1½ x 10	DI - AI	426255-011	
3 x 1½ x 10	BF - AB	427151-041	
3 x 1½ x 10	DI - AI	427151-011	
3 x 2 x 10	BF - AB	427163-041	
3 x 2 x 10	DI - AI	427163-011	
3 x 2½ x 10	BF - AB	427123-041	
3 x 2½ x 10	DI - AI	427123-011	
4 x 3 x 10	BF - AB	427149-041	
4 x 3 x 10	DI - AI	427149-011	
4 x 3 x 11½	BF - AB	426281-041	
4 x 3 x 11½	DI - AI	426281-011	

\* Impeller Part Numbers are for unbalanced, full diameter impellers. Always specify the Pump Serial Number. If possible, measure the diameter of the impeller being replaced.

# Model 4280

## Centerline discharge

"S" SIZE  $\frac{7}{8}$ " IMPELLER BORE -  $1\frac{1}{4}$ " MECHANICAL SEAL

### ITEM 40 & 50 COMB. STUFF BOX & ADAPTER

BRONZE FITTED ( BF ) & ALL IRON ( AI ) CONSTRUCTION

PUMP SIZE	MOTOR FRAME		BAR CODE
	143-184 JM	213-215 JM	
1½ x 1 x 6	426746-011		
1½ x 1 x 6		426747-011	
3 x 1½ x 6	426746-011		
3 x 1½ x 6		426747-011	
3 x 2 x 6	426746-011		
3 x 2 x 6		426747-011	
3 x 2½ x 6	426746-011		
3 x 2½ x 6		426747-011	
4 x 3 x 6	426746-011		
4 x 3 x 6		426747-011	
4 x 3 x 6w	426746-011		
4 x 3 x 6w		426747-011	
1½ x 1 x 8	426749-011		
3 x 1½ x 8	426749-011		
3 x 2 x 8	426749-011		
3 x 2½ x 8	426749-011		
4 x 3 x 8	426749-011		
5 x 4 x 8	426749-011		
6 x 4 x 8w	426749-011		
8 x 8 x 8	426749-011		
2 x 1 x 10	426753-011		
2 x 1½ x 10	426753-011		
3 x 1½ x 10	426753-011		
3 x 2 x 10	426753-011		
3 x 2½ x 10	426753-011		
4 x 3 x 10	426753-011		
4 x 3 x 11½	426741-011		

# Model 4280

## Centerline discharge

"S" SIZE 7/8" IMPELLER BORE - 1 1/4" MECHANICAL SEAL

### ITEM 40 & 50 COMB. STUFF BOX & ADAPTER

ALL BRONZE ( AB ) CONSTRUCTION

PUMP SIZE	MOTOR FRAME		BAR CODE
	143-184 JM	213-215 JM	
1 1/2 x 1 x 6	426746-041		
1 1/2 x 1 x 6		426747-041	
3 x 1 1/2 x 6	426746-041		
3 x 1 1/2 x 6		426747-041	
3 x 2 x 6	426746-041		
3 x 2 x 6		426747-041	
3 x 2 1/2 x 6	426746-041		
3 x 2 1/2 x 6		426747-041	
4 x 3 x 6	426746-041		
4 x 3 x 6		426747-041	
4 x 3 x 6w	426746-041		
4 x 3 x 6w		426747-041	
1 1/2 x 1 x 8	426749-041		
3 x 1 1/2 x 8	426749-041		
3 x 2 x 8	426749-041		
3 x 2 1/2 x 8	426749-041		
4 x 3 x 8	426749-041		
5 x 4 x 8	426749-041		
6 x 4 x 8w	426749-041		
8 x 8 x 8	426749-041		
2 x 1 x 10	426753-041		
2 x 1 1/2 x 10	426753-041		
3 x 1 1/2 x 10	426753-041		
3 x 2 x 10	426753-041		
3 x 2 1/2 x 10	426753-041		
4 x 3 x 10	426753-041		
4 x 3 x 11 1/2	426741-041		



# Model 4280

## Centerline discharge

"S" SIZE  $\frac{7}{8}$ " IMPELLER BORE -  $1\frac{1}{4}$ " MECHANICAL SEAL

### ITEM 40 & 50 COMB. STUFF BOX & ADAPTER

DUCTILE IRON ( DI ) CONSTRUCTION

PUMP SIZE	MOTOR FRAME		BAR CODE
	143-184 JM	213-215 JM	
1½ x 1 x 6	426746-031		
1½ x 1 x 6		426747-031	
3 x 1½ x 6	426746-031		
3 x 1½ x 6		426747-031	
3 x 2 x 6	426746-031		
3 x 2 x 6		426747-031	
3 x 2½ x 6	426746-031		
3 x 2½ x 6		426747-031	
4 x 3 x 6	426746-031		
4 x 3 x 6		426747-031	
4 x 3 x 6w	426746-031		
4 x 3 x 6w		426747-031	
1½ x 1 x 8	426749-031		
3 x 1½ x 8	426749-031		
3 x 2 x 8	426749-031		
3 x 2½ x 8	426749-031		
4 x 3 x 8	426749-031		
5 x 4 x 8	426749-031		
6 x 4 x 8w	426749-031		
8 x 8 x 8	426749-031		
2 x 1 x 10	426753-031		
2 x 1½ x 10	426753-031		
3 x 1½ x 10	426753-031		
3 x 2 x 10	426753-031		
3 x 2½ x 10	426753-031		
4 x 3 x 10	426753-031		
4 x 3 x 11½	426741-031		

# Model 4280

## Centerline discharge

"S" SIZE  $\frac{7}{8}$ " IMPELLER BORE -  $1\frac{1}{4}$ " MECHANICAL SEAL

### ITEM 101 CASING GASKET

PUMP SIZE	PART NUMBER	BAR CODE
1½ x 1 x 6	426401-002	
3 x 1½ x 6	426401-002	
3 x 2 x 6	426401-002	
3 x 2½ x 6	426401-002	
4 x 3 x 6	426401-002	
4 x 3 x 6w	426401-002	
1½ x 1 x 8	426401-003	
3 x 1½ x 8	426401-003	
3 x 2 x 8	426401-003	
3 x 2½ x 8	426401-003	
4 x 3 x 8	426401-003	
5 x 4 x 8	426401-003	
6 x 4 x 8w	426401-003	
8 x 8 x 8	426401-003	
2 x 1 x 10	426401-004	
2 x 1½ x 10	426401-004	
3 x 1½ x 10	426401-004	
3 x 2 x 10	426401-004	
3 x 2½ x 10	426401-004	
4 x 3 x 10	426401-004	
4 x 3 x 11½	426401-006	

# Model 4280

## Centerline discharge

"S" SIZE 7/8" IMPELLER BORE - 1 1/4" MECHANICAL SEAL

### ITEM 44 MOTOR CAPSCREW & WASHER

PUMP SIZE	MOTOR FRAME	
	213-215 JM	143-184 JM
	<b>4 REQUIRED</b>	<b>4 REQUIRED</b>
1 1/2 x 1 x 6	CAPSCREW 1/2"-13NCX1" PART NUMBER 911125-108	
3 x 1 1/2 x 6		
3 x 2 x 6		
3 x 2 1/2 x 6		
4 x 3 x 6		
4 x 3 x 6W		
1 1/2 x 1 x 8	CAPSCREW 3/8"NCX1" PART NUMBER 911121-108	WASHER 3/8" FLAT PART NUMBER 927113-100
3 x 1 1/2 x 8		
3 x 2 x 8		
3 x 2 1/2 x 8		
4 x 3 x 8		
5 x 4 x 8		
6 x 4 x 8W		
8 x 8 x 8		
2 x 1 x 10		
2 x 1 1/2 x 10		
3 x 1 1/2 x 10		
4 x 3 x 10		
4 x 3 x 11 1/2		

#### BAR CODES

927113-100	911121-108
927117-100	911125-108

# Model 4280

## Centerline discharge

"S" SIZE  $\frac{7}{8}$ " IMPELLER BORE -  $1\frac{1}{4}$ " MECHANICAL SEAL

### ITEM 104 CASING CAPSCREW & WASHER

PUMP SIZE	NO. REQUIRED	SIZE	PART NUMBER	BAR CODE
1½ x 1 x 6	8	CAPSCREW ½" - 13NC X 1¼" LG.	911125-110	
3 x 1½ x 6				
3 x 2 x 6				
3 x 2½ x 6	8	WASHER ½" - SAE FLAT	927117-100	
4 x 3 x 6				
4 x 3 x 6w				
1½ x 1 x 8	8	HX. HD. CAPSCREW ⅝" - 11NC X 1½" LG.	911129-112	
3 x 1½ x 8				
3 x 2 x 8				
3 x 2½ x 8				
4 x 3 x 8	8	WASHER ⅝" - SAE FLAT	927121-100	
5 x 4 x 8				
6 x 4 x 8				
8 x 8 x 8				
2 x 1 x 10	12	CAPSCREW ⅝" - 11NC X 1½" LG.	911129-112	
2 x 1½ x 10				
3 x 1½ x 10				
3 x 2 x 10	12	WASHER ⅝" - SAE FLAT	927121-100	
3 x 2½ x 10				
4 x 3 x 10				
4 x 3 x 11 ½	16	CAPSCREW ½" - 13NC X 1½" LG	911125-112	
	16	WASHER ½" - SAE FLAT	927117-100	

# Model 4280

## Centerline discharge

"S" SIZE 7/8" IMPELLER BORE - 1 1/4" MECHANICAL SEAL

### COMMON PARTS

ITEM NUMBER	DESCRIPTION	CONSTRUCTION	PART NUMBER	BAR CODE
70	SHAFT SLEEVE	BF & AB	425869-001	
70	SHAFT SLEEVE	AI	425869-002	
62K	MECHANICAL SEAL KIT	ALL	975000-982**	
71	SLEEVE SPACER	ALL	425868-005	
39	WATER SLINGER	ALL	406622-000	
83	IMPELLER WASHER	ALL	425742-001	
86	IMPELLER CAPSCREW	ALL	911900-114	

\*\* For liquids above 200°F/93°C use 9975001-813 (-613 if potable drinking water above 200°F/93°C) For glycols above 30% by weight use 9975001-817 (-818 if above 200°F/93°C)

### ITEMS 70 & 71 SHAFT SLEEVE & SPACER KITS

ITEM NUMBER	DESCRIPTION	CONSTRUCTION	PART NUMBER	BAR CODE
70 & 71	SH. SLV. & SPACER KIT	BF & AB	810150-150	
70 & 71	SH. SLV. & SPACER KIT	AI	810150-151	

#### TORONTO

+1 416 755 2291

#### BUFFALO

+1 716 693 8813

#### BIRMINGHAM

+44 (0) 8444 145 145

#### MANCHESTER

+44 (0) 8444 145 145

#### BANGALORE

+91 (0) 80 4906 3555

#### SHANGHAI

+86 21 3756 6696