

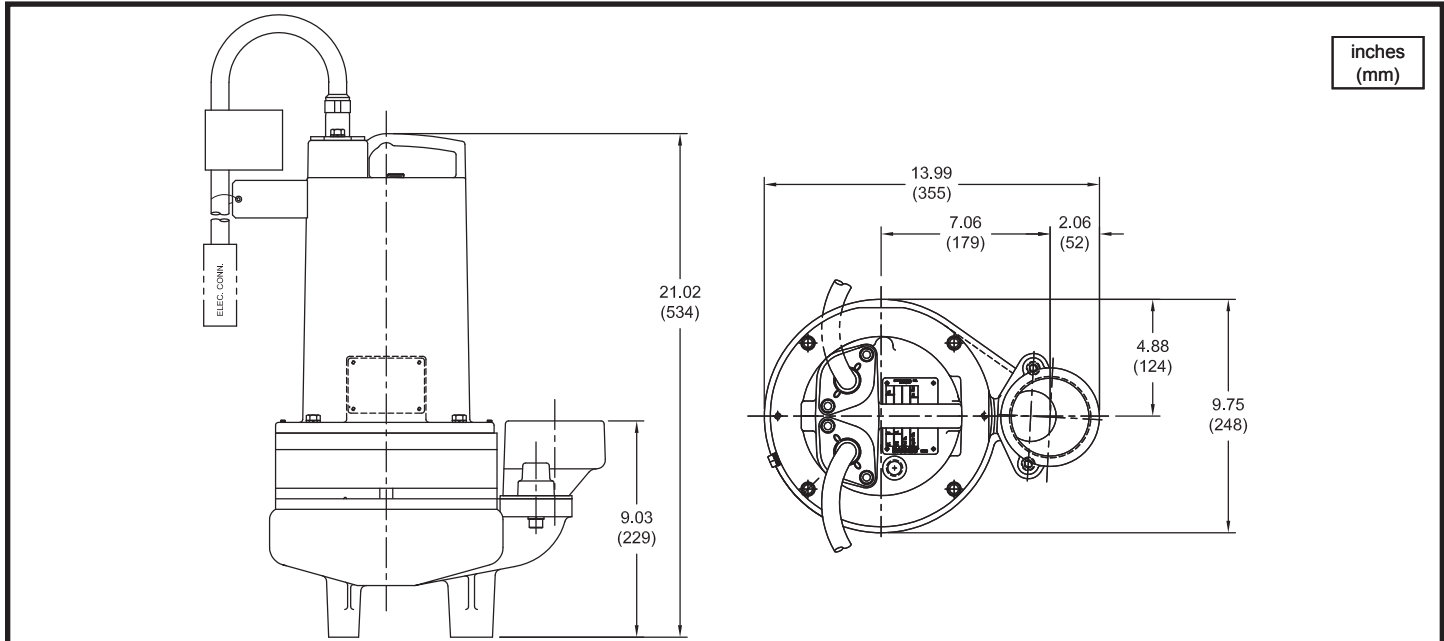
Series 3SEV-DS

2" Spherical Solids Handling
Vortex, Double Seal

BARNES®

www.cranepumps.com

3" Discharge



MODEL NO	PART NO	HP	VOLT/PH	Hz	RPM (Nom)	NEMA START CODE	INSUL. CLASS	FULL LOAD AMPS	LOCKED ROTOR AMPS	CORD SIZE	CORD TYPE	CORD O.D inch (mm)
3SEV514DS	104949	0.5	120/1	60	1750	F	B	12.0	21.3	14/3	SJTOW	0.375 (9.5)
3SEV524DS	104950	0.5	240/1	60	1750	J	B	6.3	14.9	14/3	SOW	0.530 (13.5)
3SEV594DS	104951	0.5	200-240/3	60	1750	H/L	B	3.7/3.8	9.8/11.0	14/4	SOW	0.570 (14.5)
3SEV544DS	104952	0.5	480/3	60	1750	K	B	1.9	5.3	14/4	SOW	0.570 (14.5)
3SEV554DS	104953	0.5	600/3	60	1750	H	B	1.4	3.4	14/4	SOW	0.570 (14.5)
3SEV724DS	104958	0.75	240/1	60	1750	G/K	F	7.1	25.8	14/3	SOW	0.530 (13.5)
3SEV794DS	104959	0.75	200-240/3	60	1750	H/K	F	4.8/4.6	13.7/15.4	14/4	SOW	0.570 (14.5)
3SEV744DS	104960	0.75	480/3	60	1750	K	F	2.3	7.7	14/4	SOW	0.570 (14.5)
3SEV754DS	104961	0.75	600/3	60	1750	L	F	1.6	7.2	14/4	SOW	0.570 (14.5)
3SEV1024DS	104966	1.0	240/1	60	1750	D/G	B	8.5	25.8	14/3	SOW	0.530 (13.5)
3SEV1094DS	104967	1.0	200-240/3	60	1750	E/H	B	5.3/5.1	13.7/15.4	14/4	SOW	0.570 (14.5)
3SEV1044DS	104968	1.0	480/3	60	1750	H	B	2.5	7.7	14/4	SOW	0.570 (14.5)
3SEV1054DS	104969	1.0	600/3	60	1750	J	F	2.2	7.2	14/4	SOW	0.570 (14.5)
3SEV512DS*	104998	0.5	120/1	60	3450	G	B	12.6	24.6	14/3	SJTOW	0.375 (9.5)
3SEV522DS	104999	0.5	240/1	60	3450	E	B	6.0	10.2	14/3	SOW	0.530 (13.5)
3SEV592DS	105000	0.5	200-240/3	60	3450	P/R	B	5.8/5.3	19.9/18.4	14/4	SOW	0.570 (14.5)
3SEV542DS	105002	0.5	480/3	60	3450	R	B	2.6	9.1	14/4	SOW	0.570 (14.5)
3SEV552DS	105003	0.5	600/3	60	3450	T	B	2.1	8.7	14/4	SOW	0.570 (14.5)
3SEV1022DS	105009	1.0	240/1	60	3450	F	B	10.7	21.8	14/3	SOW	0.530 (13.5)
3SEV1092DS	105010	1.0	200-240/3	60	3450	H/J	B	7.9/7.5	19.9/18.4	14/4	SOW	0.570 (14.5)
3SEV1042DS	105012	1.0	480/3	60	3450	J	B	3.7	9.1	14/4	SOW	0.570 (14.5)
3SEV1052DS	105013	1.0	600/3	60	3450	L	B	2.9	8.7	14/4	SOW	0.570 (14.5)

OPTIONAL - Temperature sensor cord for 3 phase models is 14/3 SOW, 0.530 (13.5mm) O.D.
 OPTIONAL - Moisture sensor cord is 18/5 SOW, 0.470 (11.9mm) O.D.
 OPTIONAL - Moisture & Temperature sensor cord for 3 phase models is 18/5 SOW, 0.470 (11.9mm) O.D.
 (*) Pump is CSA listed **ONLY**.

IMPORTANT !

- 1.) PUMP MAY BE OPERATED "DRY" FOR EXTENDED PERIODS WITHOUT DAMAGE TO MOTOR AND/OR SEALS.
- 2.) INSTALLATIONS SUCH AS DECORATIVE FOUNTAINS OR WATER FEATURES PROVIDED FOR VISUAL ENJOYMENT MUST BE INSTALLED IN ACCORDANCE WITH THE NATIONAL ELECTRIC CODE ANSI/NFPA 70 AND/OR THE AUTHORITY HAVING JURISDICTION. THIS PUMP IS NOT INTENDED FOR USE IN SWIMMING POOLS, RECREATIONAL WATER PARKS, OR INSTALLATIONS IN WHICH HUMAN CONTACT WITH PUMPED MEDIA IS A COMMON OCCURRENCE.

SECTION 1B
PAGE 48
DATE 8/16

CRANE®

A Crane Co. Company

PUMPS & SYSTEMS

USA: (937) 778-8947 • Canada: (905) 457-6223 • International: (937) 615-3598