

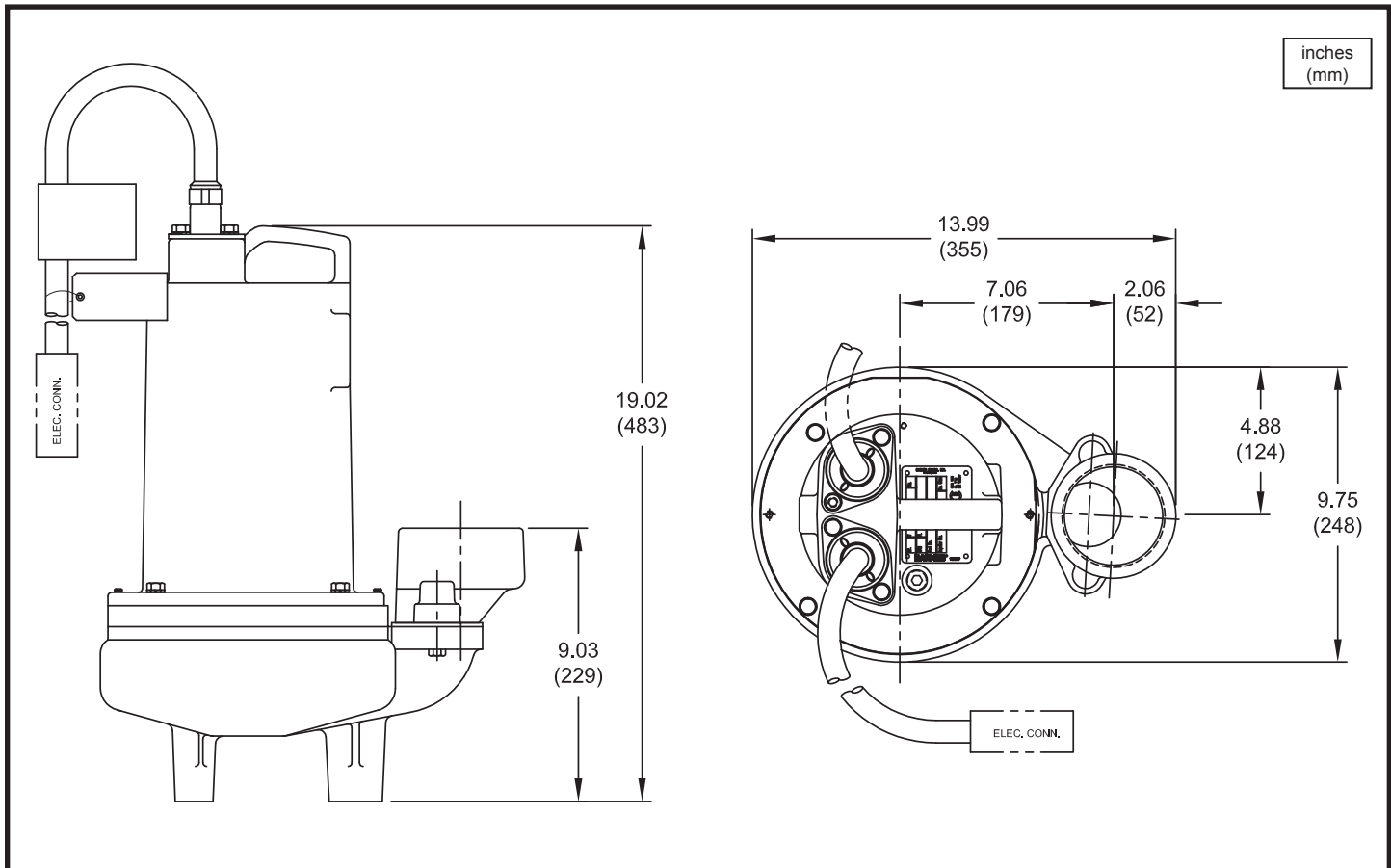
Series 3SE-L

2" Spherical Solids Handling
Single Seal

BARNES®

www.cranepumps.com

1½", 2" & 3" Discharge



MODEL NO	PART NO	HP	VOLT/PH	Hz	RPM (Nom)	NEMA START CODE	INSUL. CLASS	FULL LOAD AMPS	LOCKED ROTOR AMPS	CORD SIZE	CORD TYPE	CORD O.D. inch (mm)
3SE514L	104892	0.5	120/1	60	1750	F	B	11.6	21.3	14/3	SJTOW	0.375 (9.5)
3SE524L	104893	0.5	240/1	60	1750	J	B	5.9	14.9	14/3	SOW	0.530 (13.5)
3SE594L	104894	0.5	200-240/3	60	1750	H/L	B	3.2/3.0	9.8/11.0	14/4	SOW	0.570 (14.5)
3SE544L	104895	0.5	480/3	60	1750	K	B	1.5	5.3	14/4	SOW	0.570 (14.5)
3SE554L	104896	0.5	600/3	60	1750	H	B	1.0	3.4	14/4	SOW	0.570 (14.5)
3SE774L	104902	0.75	200-240/1	60	1750	G/K	F	7.4/7.0	21.5/25.8	14/3	SOW	0.530 (13.5)
3SE794L	104903	0.75	200-240/3	60	1750	H/K	B	4.8/4.5	13.7/15.4	14/4	SOW	0.570 (14.5)
3SE744L	104904	0.75	480/3	60	1750	K	B	2.2	7.7	14/4	SOW	0.570 (14.5)
3SE754L	104905	0.75	600/3	60	1750	L	B	1.5	7.2	14/4	SOW	0.570 (14.5)
3SE1074L	104910	1.0	200-240/1	60	1750	D/G	F	8.8/8.3	21.5/25.8	14/3	SOW	0.530 (13.5)
3SE1094L	104911	1.0	200-240/3	60	1750	E/H	B	5.14/4.9	13.7/15.4	14/3	SOW	0.570 (14.5)
3SE1044L	104912	1.0	480/3	60	1750	H	B	2.4	7.7	14/4	SOW	0.570 (14.5)
3SE1054L	104913	1.0	600/3	60	1750	J	B	1.9	7.2	14/4	SOW	0.570 (14.5)

OPTIONAL - Temperature sensor cord for 3 phase models is 14/3 SOW, 0.530 (13.5mm) O.D.

IMPORTANT !

- 1.) PUMP MAY BE OPERATED "DRY" FOR EXTENDED PERIODS WITHOUT DAMAGE TO MOTOR AND/OR SEALS.
- 2.) INSTALLATIONS SUCH AS DECORATIVE FOUNTAINS OR WATER FEATURES PROVIDED FOR VISUAL ENJOYMENT MUST BE INSTALLED IN ACCORDANCE WITH THE NATIONAL ELECTRIC CODE ANSI/NFPA 70 AND/OR THE AUTHORITY HAVING JURISDICTION. THIS PUMP IS NOT INTENDED FOR USE IN SWIMMING POOLS, RECREATIONAL WATER PARKS, OR INSTALLATIONS IN WHICH HUMAN CONTACT WITH PUMPED MEDIA IS A COMMON OCCURRENCE.

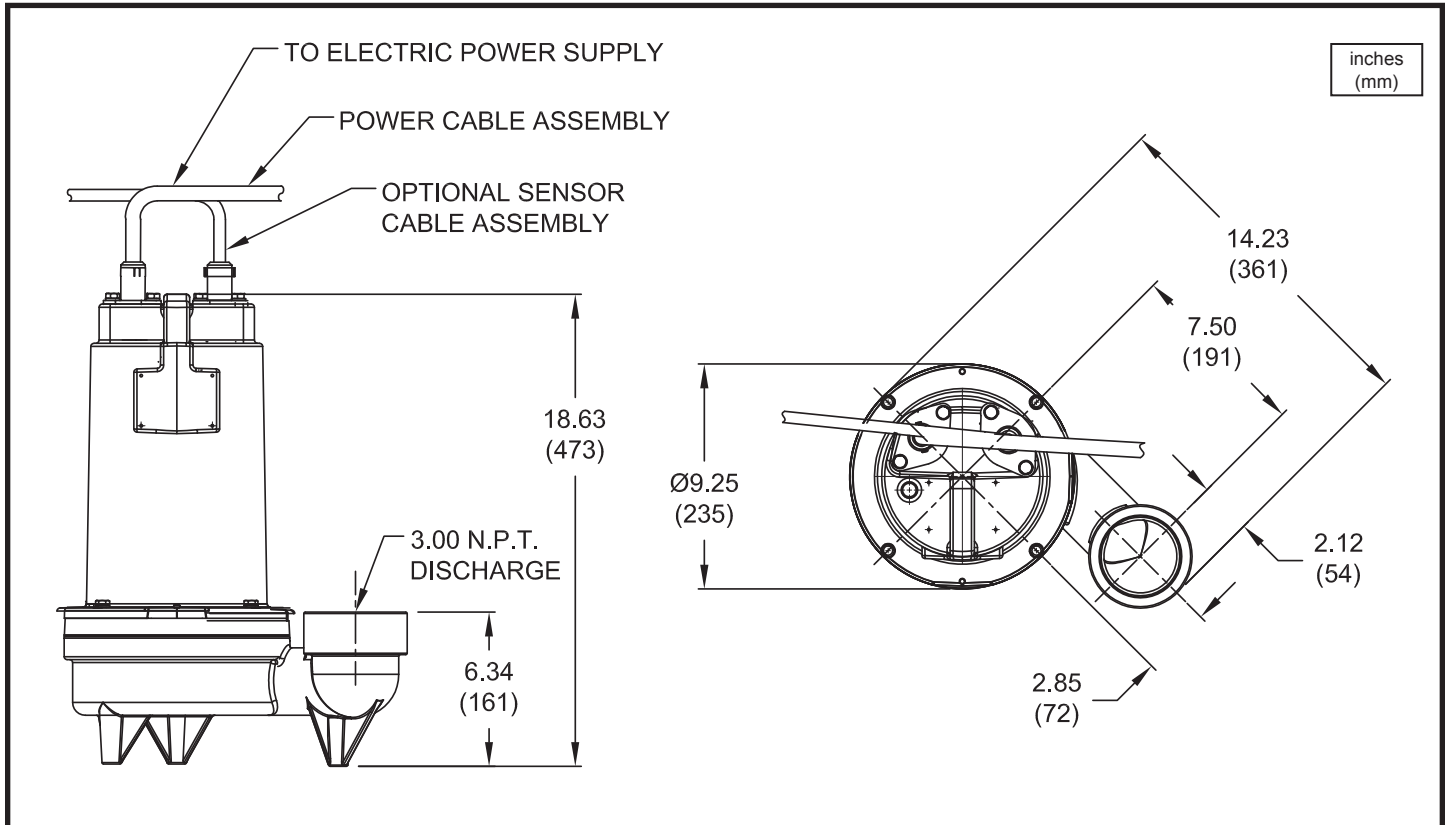
SECTION 1B
PAGE 38
DATE 8/16

CRANE
A Crane Co. Company

PUMPS & SYSTEMS

USA: (937) 778-8947 • Canada: (905) 457-6223 • International: (937) 615-3598

1½", 2" & 3" Discharge



MODEL NO	PART NO	HP	VOLT/PH	Hz	RPM (Nom)	NEMA START CODE	INSUL. CLASS	FULL LOAD AMPS	LOCKED ROTOR AMPS	CORD SIZE	CORD TYPE	CORD O.D inch (mm)
3SE1522L	132775	1.5	230/1	60	3450	A	F	12.0	31.0	12/3	SOOW/SOW	0.61 (15.5)
3SE1592L	132842	1.5	200-230/3	60	3450	C/F	F	9.8/8.6	31.3/36.0	12/4	SOOW/SOW	0.68 (17.3)
3SE1542L	132844	1.5	460/3	60	3450	F	F	4.3	18.0	14/4	SOOW/SOW	0.57 (14.5)
3SE1552L	132846	1.5	575/3	60	3450	F	B	3.4	14.4	14/4	SOOW/SOW	0.57 (14.5)
3SE2022L	132848	2.0	230/1	60	3450	A	F	13.5	31.0	12/3	SOOW/SOW	0.61 (15.5)
3SE2092L	132850	2.0	200-230/3	60	3450	A/C	F	11.5/10.0	31.3/36.0	12/4	SOOW/SOW	0.68 (17.3)
3SE2042L	132852	2.0	460/3	60	3450	C	F	5.0	18.0	14/4	SOOW/SOW	0.57 (14.5)
3SE2052L	132854	2.0	575/3	60	3450	C	B	4.0	14.4	14/4	SOOW/SOW	0.57 (14.5)

OPTIONAL - Temperature sensor cord for 3 phase models are 14-3 / 18-5 SOOW / SOW, 0.53 (13.5mm) / 0.47 (11.9mm) O.D.

IMPORTANT !

- 1.) PUMP MAY BE OPERATED "DRY" FOR EXTENDED PERIODS WITHOUT DAMAGE TO MOTOR AND/OR SEALS.
- 2.) INSTALLATIONS SUCH AS DECORATIVE FOUNTAINS OR WATER FEATURES PROVIDED FOR VISUAL ENJOYMENT MUST BE INSTALLED IN ACCORDANCE WITH THE NATIONAL ELECTRIC CODE ANSI/NFPA 70 AND/OR THE AUTHORITY HAVING JURISDICTION. THIS PUMP IS NOT INTENDED FOR USE IN SWIMMING POOLS, RECREATIONAL WATER PARKS, OR INSTALLATIONS IN WHICH HUMAN CONTACT WITH PUMPED MEDIA IS A COMMON OCCURRENCE.

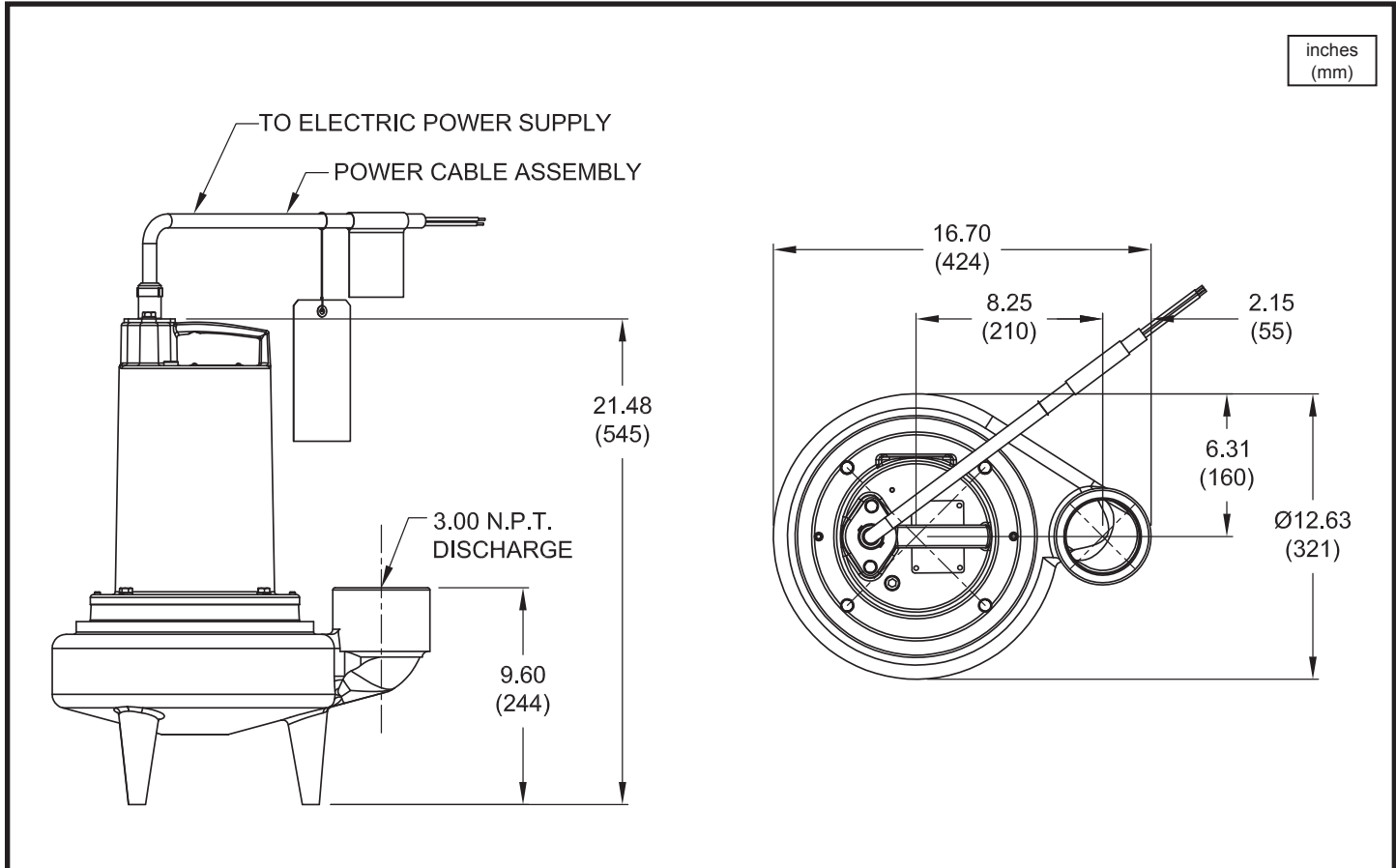
Series 3SE-L

2½" Spherical Solids Handling
Single Seal

BARNES®

www.cranepumps.com

1½", 2" & 3" Discharge



MODEL NO	PART NO	HP	VOLT/PH	Hz	RPM (Nom)	NEMA START CODE	INSUL. CLASS	FULL LOAD AMPS	LOCKED ROTOR AMPS	CORD SIZE	CORD TYPE	CORD O.D inch (mm)
3SE1524L	132725	1.5	230/1	60	1750	C	F	16.0	44.6	12/3	SOOW/SOW	0.610 (15.5)
3SE1594L	132730	1.5	200-230/3	60	1750	D/G	F	13.3/11.6	35.8/41.2	12/4	SOOW/SOW	0.680 (17.4)
3SE1544L	132735	1.5	460/3	60	1750	G	F	5.8	20.6	14/4	SOOW/SOW	0.570 (14.5)
3SE1554L	132740	1.5	575/3	60	1750	G	B	4.6	16.4	14/4	SOOW/SOW	0.570 (14.5)
3SE2024L	132750	2.0	230/1	60	1750	A	F	19.0	44.6	10/3	SOOW/SOW	0.660 (16.8)
3SE2094L	132752	2.0	200-230/3	60	1750	B/D	F	15.2/13.2	35.8/41.2	12/4	SOOW/SOW	0.680 (17.4)
3SE2044L	132754	2.0	460/3	60	1750	D	F	6.6	20.6	14/4	SOOW/SOW	0.570 (14.5)
3SE2054L	132756	2.0	575/3	60	1750	D	B	5.2	16.4	14/4	SOOW/SOW	0.570 (14.5)

Optional - Temperature Sensor Cord for 3 Phase models are 14/3 & 18/5. SOOW / SOW, 0.530 (13.5mm) / 0.470 (11.9mm) O.D.

IMPORTANT !

- 1.) PUMP MAY BE OPERATED "DRY" FOR EXTENDED PERIODS WITHOUT DAMAGE TO MOTOR AND/OR SEALS.
- 2.) INSTALLATIONS SUCH AS DECORATIVE FOUNTAINS OR WATER FEATURES PROVIDED FOR VISUAL ENJOYMENT MUST BE INSTALLED IN ACCORDANCE WITH THE NATIONAL ELECTRIC CODE ANSI/NFPA 70 AND/OR THE AUTHORITY HAVING JURISDICTION. THIS PUMP IS NOT INTENDED FOR USE IN SWIMMING POOLS, RECREATIONAL WATER PARKS, OR INSTALLATIONS IN WHICH HUMAN CONTACT WITH PUMPED MEDIA IS A COMMON OCCURRENCE.

SECTION 1B
PAGE 52
DATE 8/16

CRANE®

A Crane Co. Company

PUMPS & SYSTEMS

USA: (937) 778-8947 • Canada: (905) 457-6223 • International: (937) 615-3598

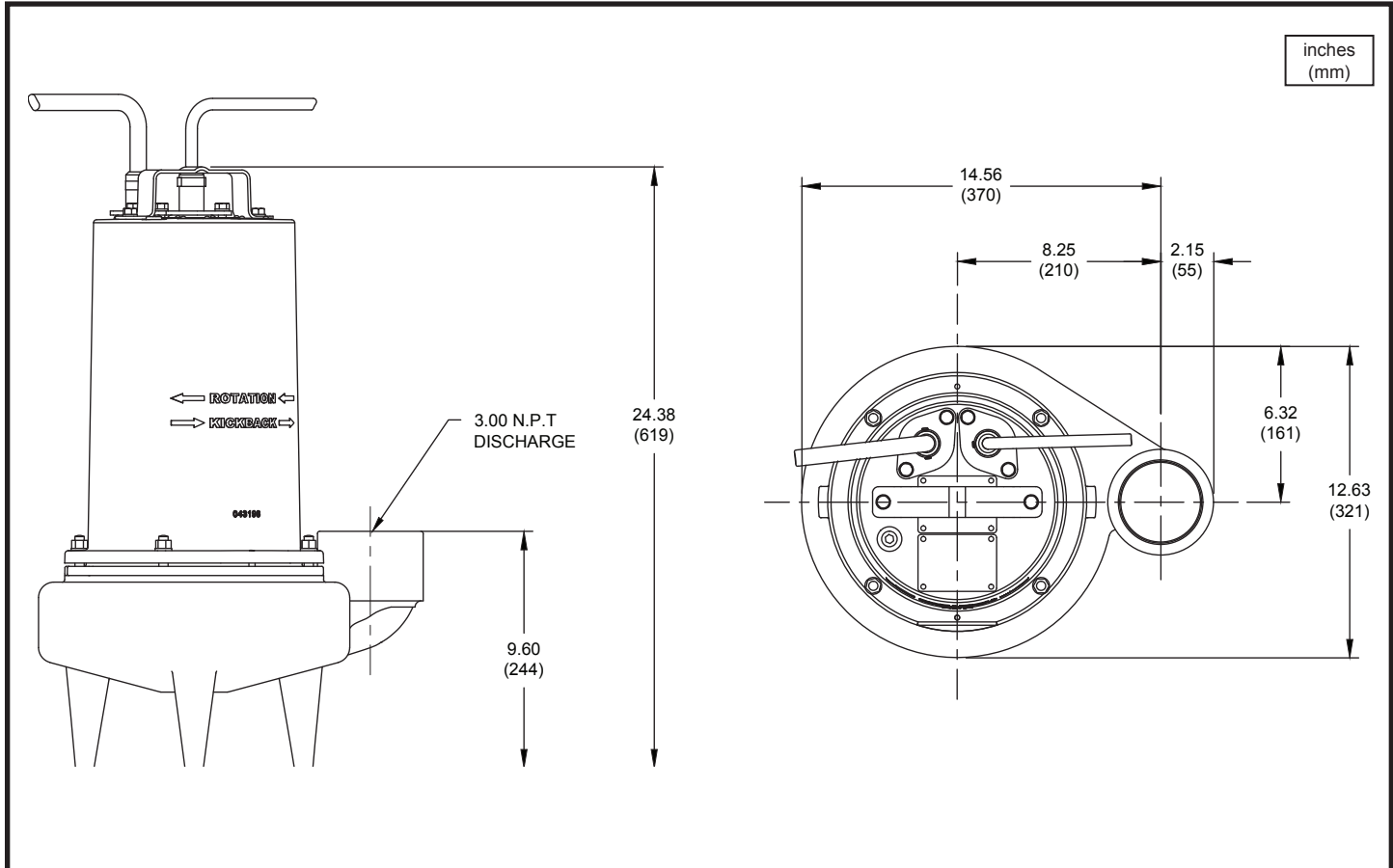
Series 3SE-L

2½" Spherical Solids Handling
Single Seal

BARNES®

www.cranepumps.com

1½", 2" & 3" Discharge



MODEL NO	PART NO	HP	VOLT/PH	Hz	RPM (Nom)	NEMA START CODE	INSUL. CLASS	FULL LOAD AMPS	LOCKED ROTOR AMPS	CORD SIZE	CORD TYPE	CORD O.D inch (mm)
3SE3024L	133115	3.0	230/1	60	1750	A	F	28.0	59.0	10/3	SOOW/SOW	.66 (16.8)
3SE3034L	133116	3.0	230/3	60	1750	D	F	19.0	56.0	12/4	SOOW/SOW	.68 (17.4)
3SE3044L	133117	3.0	460/3	60	1750	D	F	9.0	28.0	14/4	SOOW/SOW	.57 (14.5)
3SE3054L	133118	3.0	575/3	60	1750	E	B	8.3	23.0	14/4	SOOW/SOW	.57 (14.5)

OPTIONAL - Temperature sensor cord for 3 phase models is 18/5 SOOW/SOW, 0.470 (11.9mm) O.D.

IMPORTANT !

- PUMP MAY BE OPERATED "DRY" FOR EXTENDED PERIODS WITHOUT DAMAGE TO MOTOR AND/OR SEALS.
- INSTALLATIONS SUCH AS DECORATIVE FOUNTAINS OR WATER FEATURES PROVIDED FOR VISUAL ENJOYMENT MUST BE INSTALLED IN ACCORDANCE WITH THE NATIONAL ELECTRIC CODE ANSI/NFPA 70 AND/OR THE AUTHORITY HAVING JURISDICTION. THIS PUMP IS NOT INTENDED FOR USE IN SWIMMING POOLS, RECREATIONAL WATER PARKS, OR INSTALLATIONS IN WHICH HUMAN CONTACT WITH PUMPED MEDIA IS A COMMON OCCURRENCE.

SECTION 1B
PAGE 58
DATE 11/15

CRANE
A Crane Co. Company

PUMPS & SYSTEMS

USA: (937) 778-8947 • Canada: (905) 457-6223 • International: (937) 615-3598

Series 3SE-L

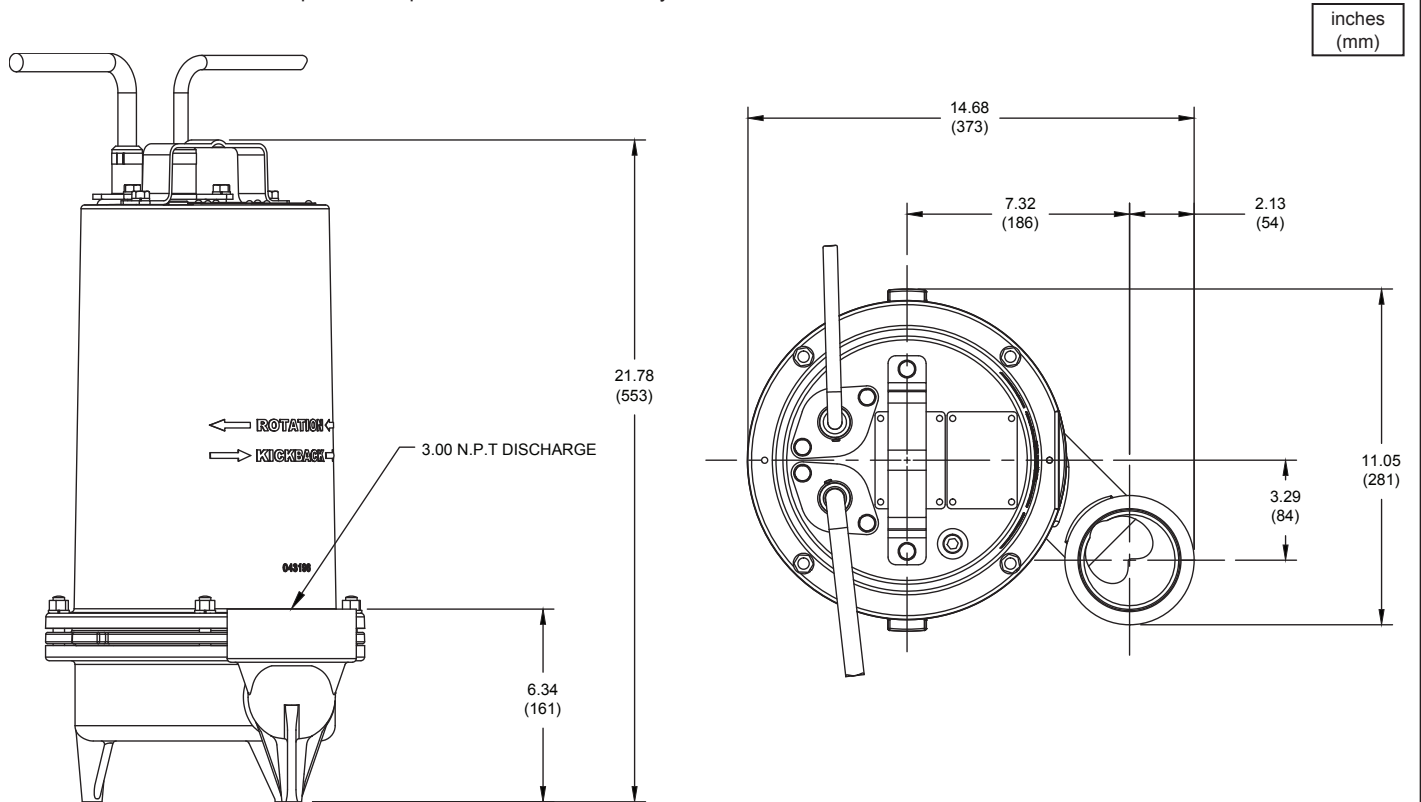
1½" Spherical Solids Handling
Single Seal

BARNES®

www.cranepumps.com

1½", 2" & 3" Discharge

Shown with Power Cord and Optional Temperature Sensor Cord Entry



MODEL NO	PART NO	HP	VOLT/PH	Hz	RPM (Nom)	NEMA START CODE	FULL LOAD AMPS	LOCKED ROTOR AMPS	CORD SIZE	CORD TYPE	CORD O.D inch (mm)
3SE3032L	133153	3.0	230/3	60	3450	B	16.4	40.0	12/4	SOOW/SOW	.68 (17.4)
3SE3042L	133154	3.0	460/3	60	3450	B	8.2	20.0	14/4	SOOW/SOW	.57 (14.5)
3SE3052L	133155	3.0	575/3	60	3450	B	6.5	16.0	14/4	SOOW/SOW	.57 (14.5)

OPTIONAL - Temperature sensor cord for 3 phase models is 18/5 SOOW/SOW, 0.470 (11.9mm) O.D.

IMPORTANT !

- PUMP MAY BE OPERATED "DRY" FOR EXTENDED PERIODS WITHOUT DAMAGE TO MOTOR AND/OR SEALS.
- INSTALLATIONS SUCH AS DECORATIVE FOUNTAINS OR WATER FEATURES PROVIDED FOR VISUAL ENJOYMENT MUST BE INSTALLED IN ACCORDANCE WITH THE NATIONAL ELECTRIC CODE ANSI/NFPA 70 AND/OR THE AUTHORITY HAVING JURISDICTION. THIS PUMP IS NOT INTENDED FOR USE IN SWIMMING POOLS, RECREATIONAL WATER PARKS, OR INSTALLATIONS IN WHICH HUMAN CONTACT WITH PUMPED MEDIA IS A COMMON OCCURRENCE.

SECTION 1B
PAGE 70
DATE 3/14

CRANE®

A Crane Co. Company

PUMPS & SYSTEMS

USA: (937) 778-8947 • Canada: (905) 457-6223 • International: (937) 615-3598