

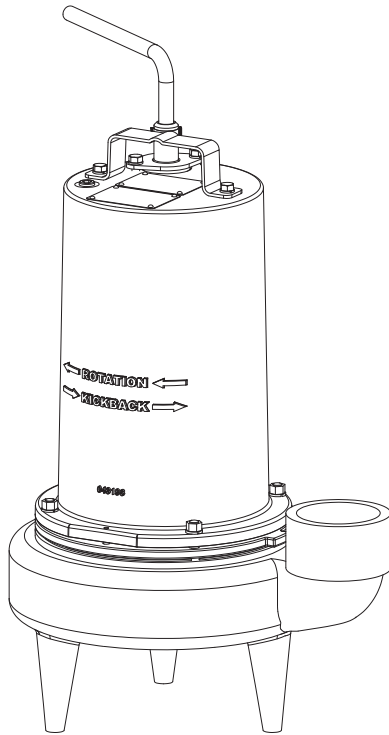
# Series 3SE-HD

2½" Spherical Solids Handling  
Heavy Duty, Single Seal

# BARNES®

www.cranepumps.com

## 1½", 2" & 3" Discharge



### Series: 3SE-HD 1.5 & 2HP, 1750RPM, 60Hz



Sample Specifications: Section 1 Page 3.

#### DESCRIPTION:

SUBMERSIBLE NON-CLOG SEWAGE PUMP  
DESIGNED FOR TYPICAL RAW SEWAGE  
APPLICATIONS

<b>DISCHARGE</b> .....	3" NPT, Female, Vertical
<b>LIQUID TEMPERATURE</b> .....	104°F (40°C) Continuous
<b>VOLUTE</b> .....	Cast Iron ASTM, Class 30
<b>MOTOR HOUSING</b> .....	Cast Iron ASTM A-48, Class 30
<b>SEAL PLATE</b> .....	Cast Iron ASTM, Class 30
<b>IMPELLER: Design</b> .....	2 Vane, semi-open with pump out vanes on back side. Dynamically balanced, ISO G6.3
<i>Material</i> .....	Cast Iron ASTM, Class 20
<b>SHAFT</b> .....	416 Stainless Steel
<b>SQUARE RINGS</b> .....	Buna-N
<b>HARDWARE</b> .....	300 Series Stainless Steel
<b>PAINT</b> .....	Air Dry Enamel
<b>SEAL: Design</b> .....	Inboard Single Mechanical, Oil filled reservoir with Secondary Exclusion Seal
<i>Material</i> .....	Carbon/Ceramic/Buna-N Hardware -300 Series Stainless
<b>CORD ENTRY</b> .....	30 ft. (9.1m) Cord. Quick connect custom molded for sealing and strain relief
<b>SPEED</b> .....	1750 RPM (Nominal)
<b>UPPER BEARING</b> .....	Single Row, Ball, Oil lubricated
<i>Load</i> .....	Radial
<b>LOWER BEARING</b> .....	Single Row, Ball, Oil lubricated
<i>Load</i> .....	Radial & Thrust
<b>MOTOR: Design</b> .....	NEMA L -Single Phase, NEMA B -Three phase Torque Curve, Oil Filled, Squirrel Cage Induction
<i>Insulation</i> .....	Class B
<b>SINGLE PHASE</b> .....	Permanent Split Capacitor (PSC) Includes Overload Protection in Motor
<b>THREE PHASE</b> .....	200-230/460 is Tri-Voltage. Requires Overload Protection to be included in control panel
<b>OPTIONAL EQUIPMENT</b> .....	Seal Material, Impeller Trims, Additional cord

#### RECOMMENDED:

<i>Accessories</i> .....	Break Away Fitting (BAF) Check Valve Control Panel
<i>Seal Kit PN</i> .....	130182
<i>Service Kit PN</i> .....	130209

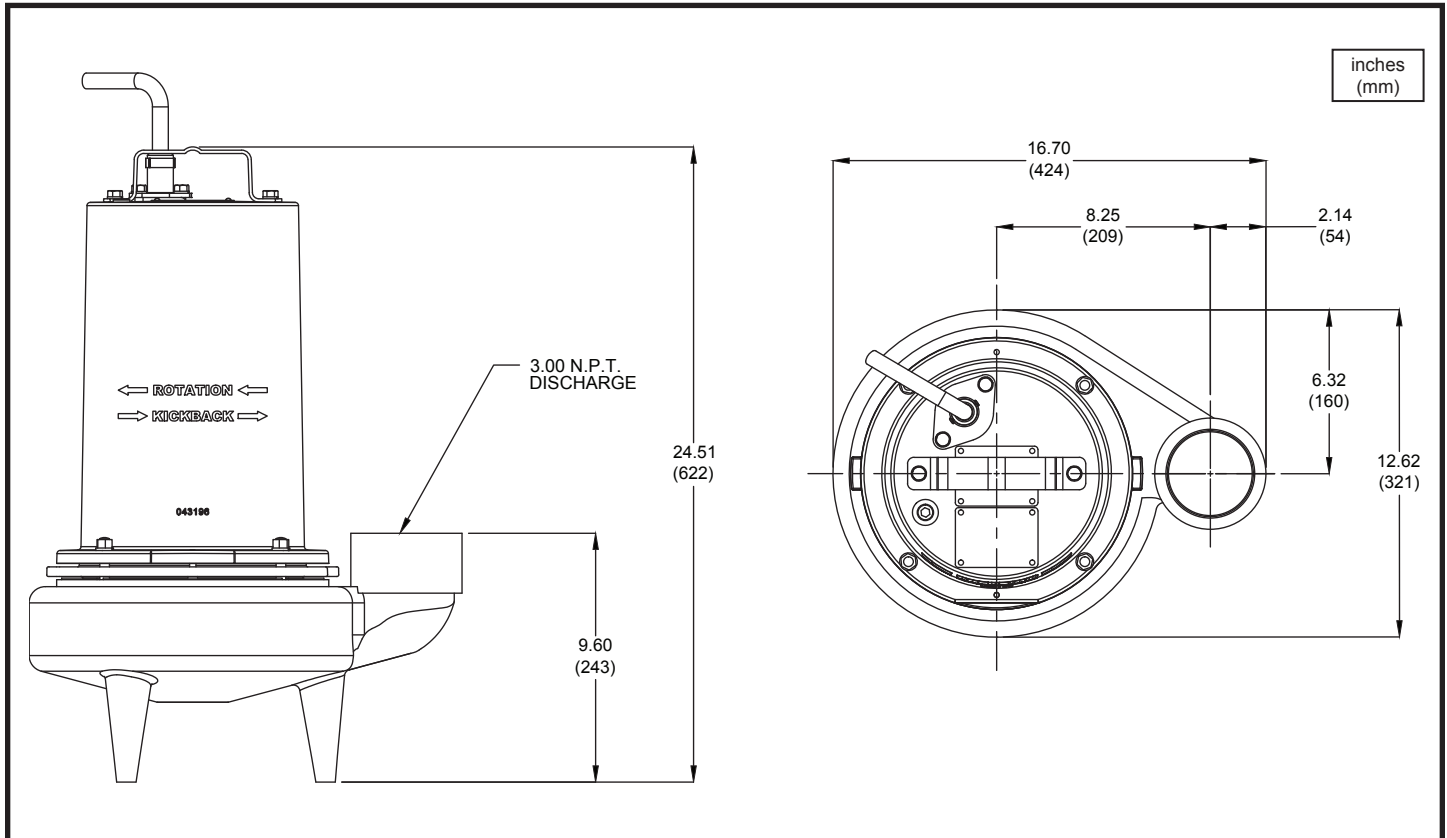
SECTION 1B  
PAGE 54  
DATE 6/12

# CRANE®

A Crane Co. Company

## PUMPS & SYSTEMS

USA: (937) 778-8947 • Canada: (905) 457-6223 • International: (937) 615-3598



MODEL NO	PART NO	HP	VOLT/PH	Hz	RPM (Nom)	NEMA START CODE	FULL LOAD AMPS	LOCKED ROTOR AMPS	CORD SIZE	CORD TYPE	CORD O.D inch (mm)
3SE1524HD	133463	1.5	230/1	60	1750	B	12.6	23.0	12/3	SOOW/SOW	.61 (15.5)
3SE1594HD	133464	1.5	200-230/3	60	1750	H/L	8.8/8.0	30.4/36.0	12/4	SOOW/SOW	.68 (17.4)
3SE1544HD	133465	1.5	460/3	60	1750	L	4.0	17.5	14/4	SOOW/SOW	.57 (14.5)
3SE2024HD	133466	2.0	230/1	60	1750	B	14.5	29.0	12/3	SOOW/SOW	.61 (15.5)
3SE2094HD	133467	2.0	200-230/3	60	1750	J/M	15.4/14.0	44.1/50.8	12/4	SOOW/SOW	.68 (17.4)
3SE2044HD	133468	2.0	460/3	60	1750	M	7.0	25.4	14/4	SOOW/SOW	.57 (14.5)

**IMPORTANT !**

- 1.) PUMP MAY BE OPERATED "DRY" FOR EXTENDED PERIODS WITHOUT DAMAGE TO MOTOR AND/OR SEALS.
- 2.) INSTALLATIONS SUCH AS DECORATIVE FOUNTAINS OR WATER FEATURES PROVIDED FOR VISUAL ENJOYMENT MUST BE INSTALLED IN ACCORDANCE WITH THE NATIONAL ELECTRIC CODE ANSI/NFPA 70 AND/OR THE AUTHORITY HAVING JURISDICTION. THIS PUMP IS NOT INTENDED FOR USE IN SWIMMING POOLS, RECREATIONAL WATER PARKS, OR INSTALLATIONS IN WHICH HUMAN CONTACT WITH PUMPED MEDIA IS A COMMON OCCURRENCE.

# Series 3SE-HD

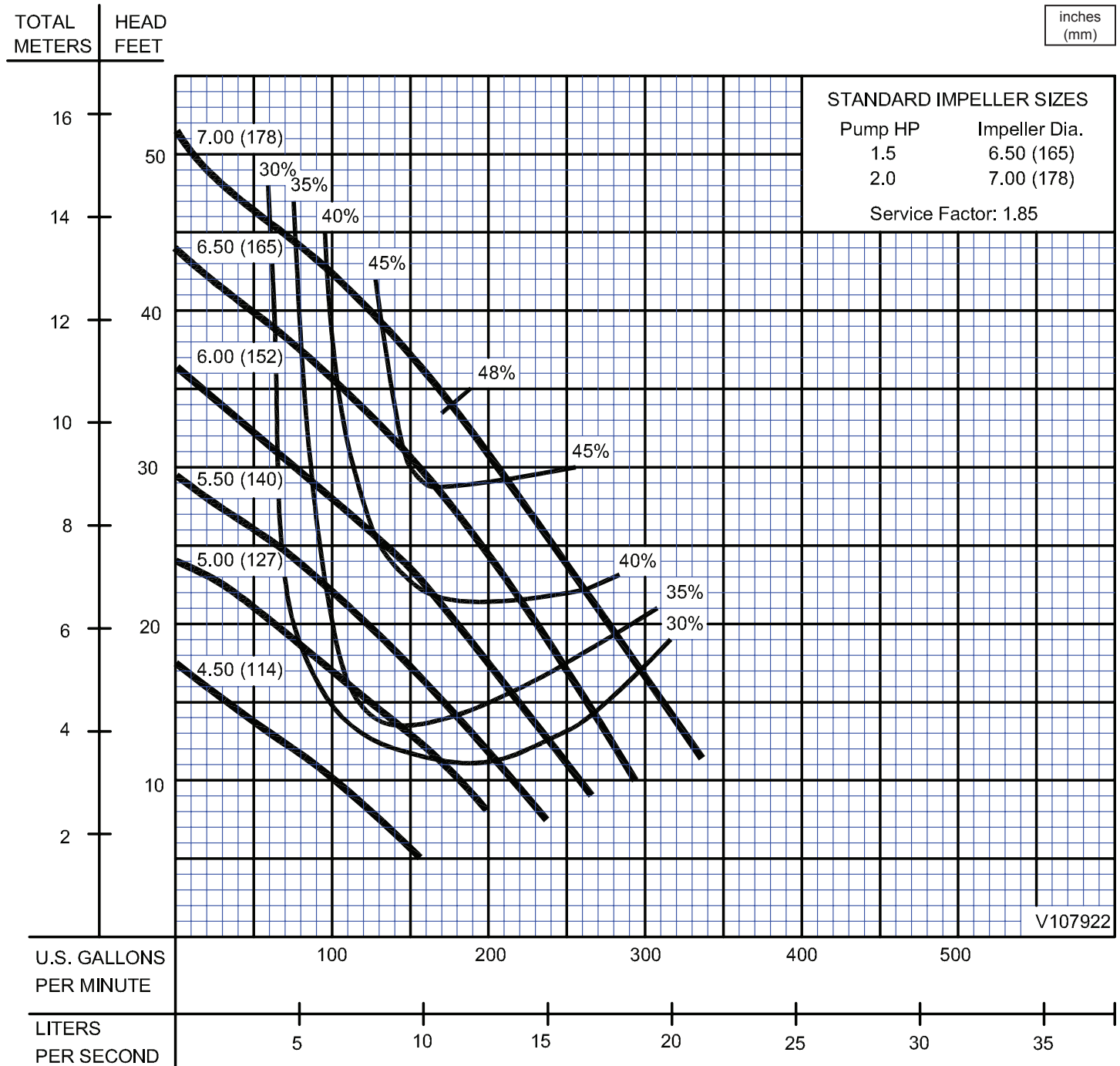
Performance Curve

1.5 & 2.0HP, 1750RPM, 60Hz (Heavy Duty)

# BARNES®

www.cranepumps.com

**1½", 2" & 3" Discharge**



Testing is performed with water, specific gravity 1.0 @ 68° F @ (20°C), other fluids may vary performance

SECTION 1B  
PAGE 56  
DATE 6/04

**CRANE**  
A Crane Co. Company

**PUMPS & SYSTEMS**

USA: (937) 778-8947 • Canada: (905) 457-6223 • International: (937) 615-3598