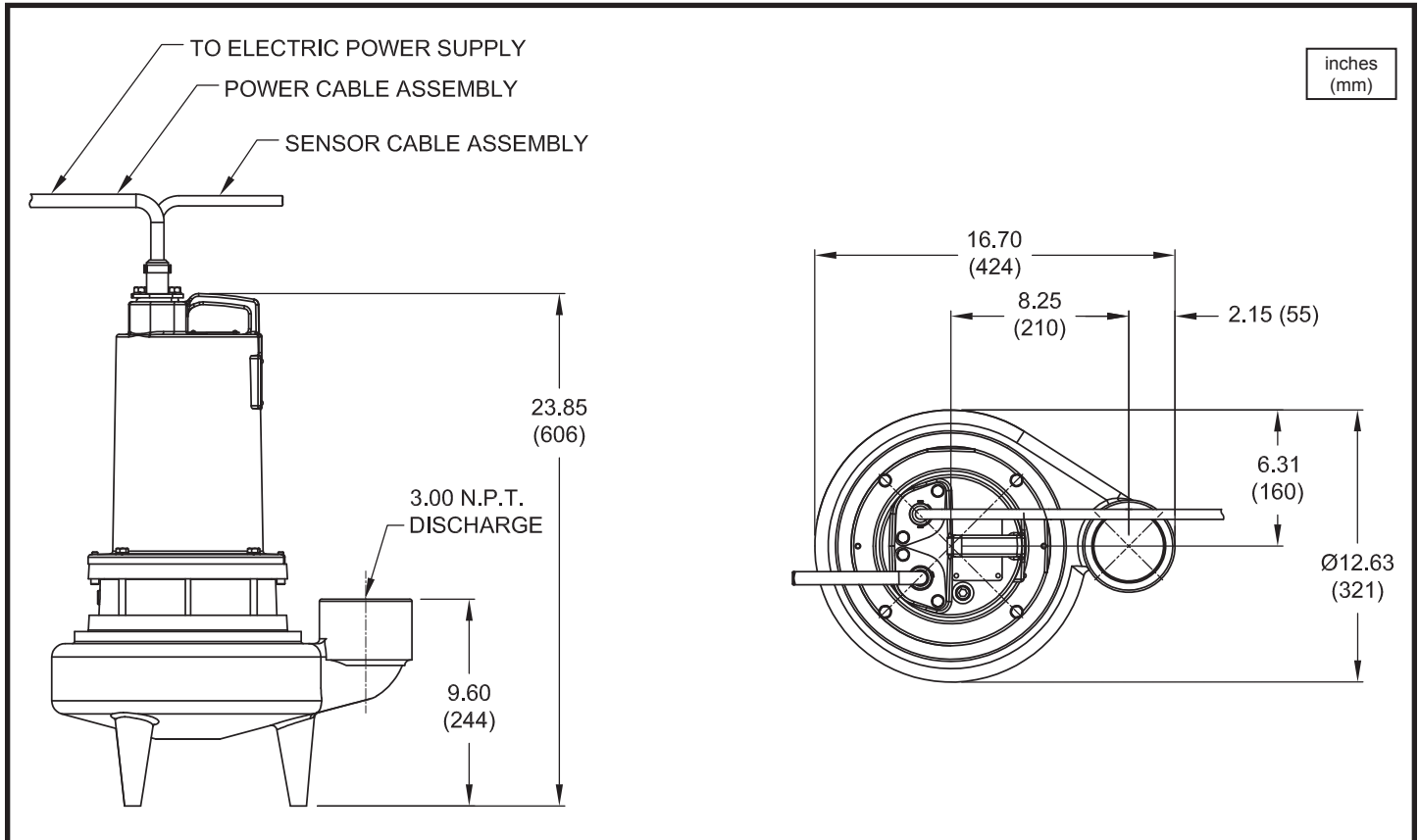


1½", 2" & 3" Discharge



MODEL NO	PART NO	HP	VOLT/PH	Hz	RPM (Nom)	NEMA START CODE	INSUL. CLASS	FULL LOAD AMPS	LOCKED ROTOR AMPS	CORD SIZE	CORD TYPE	CORD O.D inch (mm)
3SE1524DS	132745	1.5	230/1	60	1750	C	F	16.0	44.6	12/3	SOOW / SOW	0.610 (15.5)
3SE1594DS	132758	1.5	200-230/3	60	1750	D/G	F	13.3/11.6	35.8/41.2	12/4	SOOW / SOW	0.680 (17.4)
3SE1544DS	132760	1.5	460/3	60	1750	G	F	5.8	20.6	14/4	SOOW / SOW	0.570 (14.5)
3SE1554DS	132761	1.5	575/3	60	1750	G	B	4.6	16.4	14/4	SOOW / SOW	0.570 (14.5)
3SE2024DS	132765	2.0	230/1	60	1750	A	F	19.0	44.6	10/3	SOOW / SOW	0.660 (16.8)
3SE2094DS	132768	2.0	200-230/3	60	1750	B/D	F	15.2/13.2	35.8/41.2	12/4	SOOW / SOW	0.680 (17.4)
3SE2044DS	132770	2.0	460/3	60	1750	D	F	6.6	20.6	14/4	SOOW / SOW	0.570 (14.5)
3SE2054DS	132772	2.0	575/3	60	1750	D	B	5.2	16.4	14/4	SOOW / SOW	0.570 (14.5)

Moisture & Temperature sensor cord for all models is 18/5 SOOW/SOW, 0.47 (11.9mm) O.D.
OPTIONAL Temperature only sensor cord for 3 phase models is 14/3 SOOW/SOW, 0.53 (13.5mm) O.D.

IMPORTANT !

- PUMP MAY BE OPERATED "DRY" FOR EXTENDED PERIODS WITHOUT DAMAGE TO MOTOR AND/OR SEALS.
- INSTALLATIONS SUCH AS DECORATIVE FOUNTAINS OR WATER FEATURES PROVIDED FOR VISUAL ENJOYMENT MUST BE INSTALLED IN ACCORDANCE WITH THE NATIONAL ELECTRIC CODE ANSI/NFPA 70 AND/OR THE AUTHORITY HAVING JURISDICTION. THIS PUMP IS NOT INTENDED FOR USE IN SWIMMING POOLS, RECREATIONAL WATER PARKS, OR INSTALLATIONS IN WHICH HUMAN CONTACT WITH PUMPED MEDIA IS A COMMON OCCURRENCE.

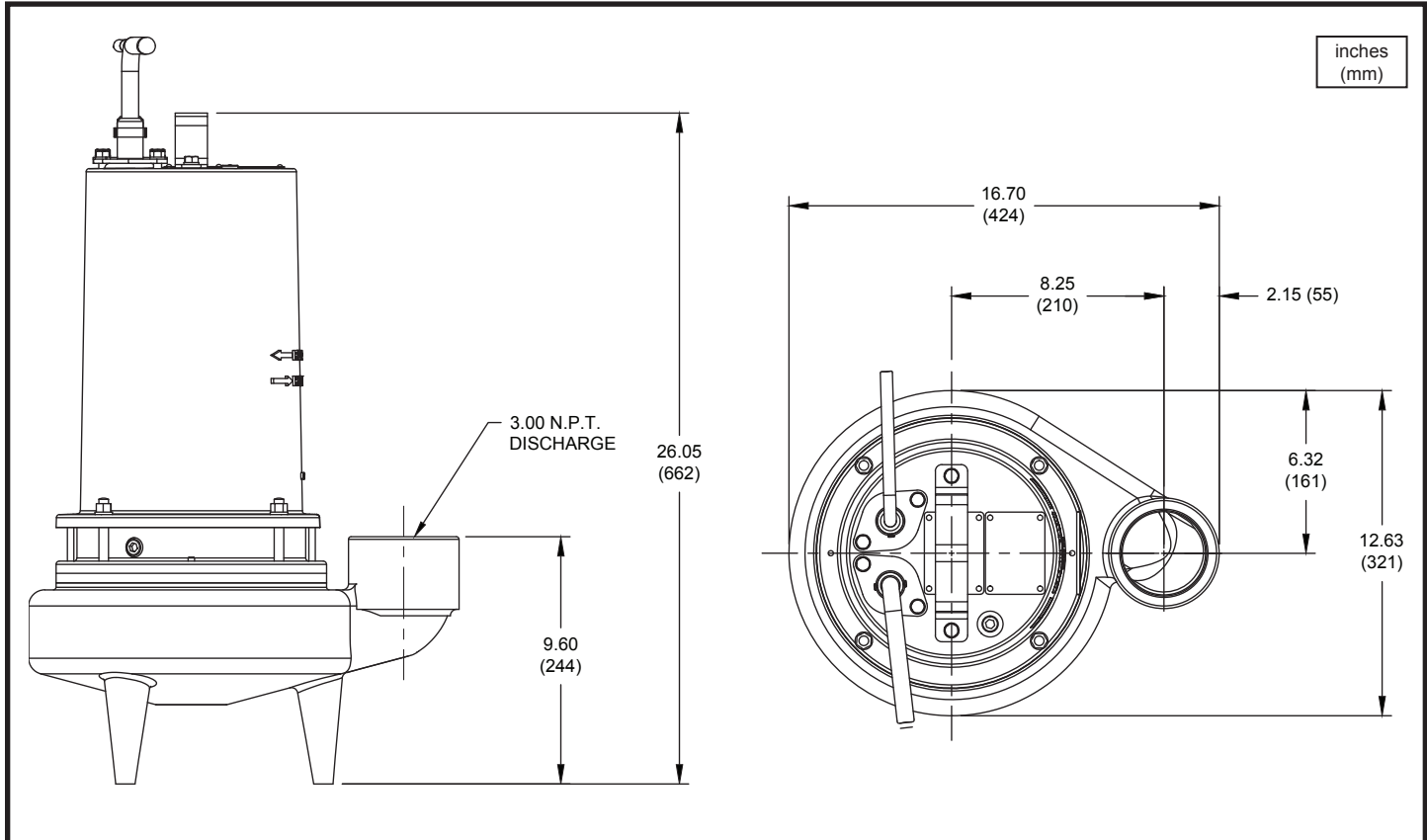
Series 3SE-DS

2½" Spherical Solids Handling
Double Seal

BARNES®

www.cranepumps.com

1½", 2" & 3" Discharge



MODEL NO	PART NO	HP	VOLT/PH	Hz	RPM (Nom)	NEMA START CODE	INSUL. CLASS	FULL LOAD AMPS	LOCKED ROTOR AMPS	CORD SIZE	CORD TYPE	CORD O.D inch (mm)
3SE3024DS	133121	3.0	230/1	60	1750	A	F	28.0	59.0	10/3	SOOW/SOW	.66 (16.8)
3SE3034DS	133122	3.0	230/3	60	1750	D	F	19.0	56.0	12/4	SOOW/SOW	.68 (17.4)
3SE3044DS	133123	3.0	460/3	60	1750	D	F	9.0	28.0	14/4	SOOW/SOW	.57 (14.5)
3SE3054DS	133124	3.0	575/3	60	1750	E	B	8.3	23.0	14/4	SOOW/SOW	.57 (14.5)

Moisture/Temperature sensor cord for all models is 18/5 SOOW/SOW, 0.47 (11.9mm) O.D.

IMPORTANT !

- PUMP MAY BE OPERATED "DRY" FOR EXTENDED PERIODS WITHOUT DAMAGE TO MOTOR AND/OR SEALS.
- INSTALLATIONS SUCH AS DECORATIVE FOUNTAINS OR WATER FEATURES PROVIDED FOR VISUAL ENJOYMENT MUST BE INSTALLED IN ACCORDANCE WITH THE NATIONAL ELECTRIC CODE ANSI/NFPA 70 AND/OR THE AUTHORITY HAVING JURISDICTION. THIS PUMP IS NOT INTENDED FOR USE IN SWIMMING POOLS, RECREATIONAL WATER PARKS, OR INSTALLATIONS IN WHICH HUMAN CONTACT WITH PUMPED MEDIA IS A COMMON OCCURRENCE.

SECTION 1B
PAGE 64
DATE 11/15

CRANE®

A Crane Co. Company

PUMPS & SYSTEMS

USA: (937) 778-8947 • Canada: (905) 457-6223 • International: (937) 615-3598