

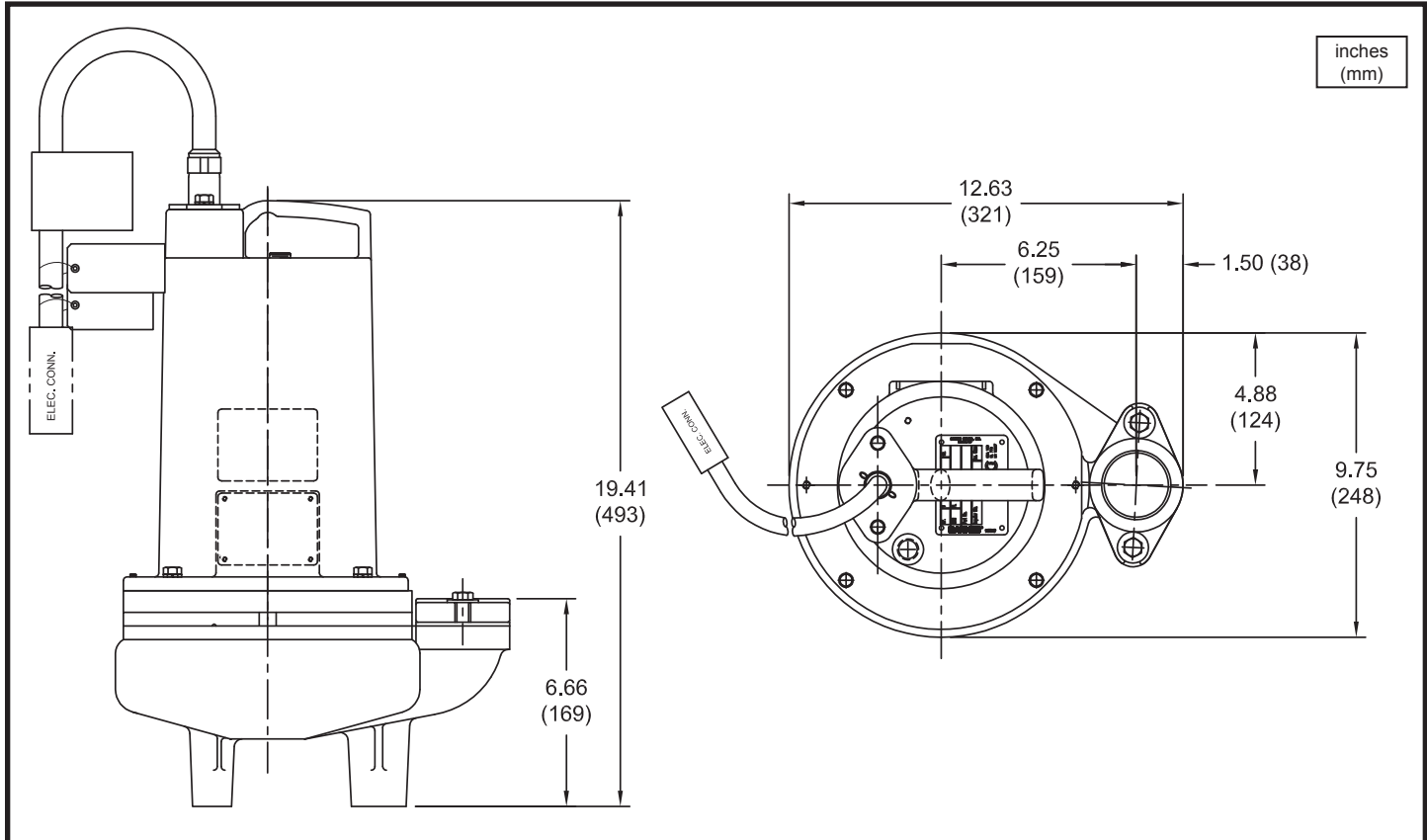
Series 2SEV-L

2" Spherical Solids Handling
Vortex, Single Seal

BARNES®

www.cranepumps.com

2" Discharge



| MODEL NO | PART NO | HP | VOLT/PH | Hz | RPM (Nom) | NEMA START CODE | INSUL. CLASS | FULL LOAD AMPS | LOCKED ROTOR AMPS | CORD SIZE | CORD TYPE | CORD O.D inch (mm) |
|-----------|---------|-----|-----------|----|-----------|-----------------|--------------|----------------|-------------------|-----------|-----------|--------------------|
| 2SEV1522L | 104187 | 1.5 | 240/1 | 60 | 3450 | A | F | 13.5 | 31.5 | 12/3 | SOW | 0.610 (15.5) |
| 2SEV1592L | 104188 | 1.5 | 200/240/3 | 60 | 3450 | C | F | 10.8/9.8 | 27.0 | 14/4 | SOW | 0.600 (15.2) |
| 2SEV1542L | 104189 | 1.5 | 480/3 | 60 | 3450 | F | F | 4.9 | 13.5 | 14/4 | SOW | 0.600 (15.2) |
| 2SEV1552L | 105774 | 1.5 | 600/3 | 60 | 3450 | F | B | 3.9 | 11.0 | 14/4 | SOW | 0.600 (15.2) |
| 2SEV2022L | 104190 | 2.0 | 240/1 | 60 | 3450 | C | F | 16.0 | 42.0 | 12/3 | SOW | 0.610 (15.5) |
| 2SEV2092L | 104191 | 2.0 | 200/240/3 | 60 | 3450 | J | F | 13.2/12.0 | 30.0 | 14/4 | SOW | 0.600 (15.2) |
| 2SEV2042L | 104192 | 2.0 | 480/3 | 60 | 3450 | J | F | 6.0 | 15.0 | 14/4 | SOW | 0.600 (15.2) |
| 2SEV2052L | 105775 | 2.0 | 600/3 | 60 | 3450 | J | B | 4.8 | 12.0 | 14/4 | SOW | 0.600 (15.2) |

OPTIONAL - Temperature sensor cord for 3 phase models is 14/3 SOW, 0.530 (13.5mm) O.D.

IMPORTANT !

- PUMP MAY BE OPERATED "DRY" FOR EXTENDED PERIODS WITHOUT DAMAGE TO MOTOR AND/OR SEALS.
- INSTALLATIONS SUCH AS DECORATIVE FOUNTAINS OR WATER FEATURES PROVIDED FOR VISUAL ENJOYMENT MUST BE INSTALLED IN ACCORDANCE WITH THE NATIONAL ELECTRIC CODE ANSI/NFPA 70 AND/OR THE AUTHORITY HAVING JURISDICTION. THIS PUMP IS NOT INTENDED FOR USE IN SWIMMING POOLS, RECREATIONAL WATER PARKS, OR INSTALLATIONS IN WHICH HUMAN CONTACT WITH PUMPED MEDIA IS A COMMON OCCURRENCE.

SECTION 1B
PAGE 32
DATE 8/16

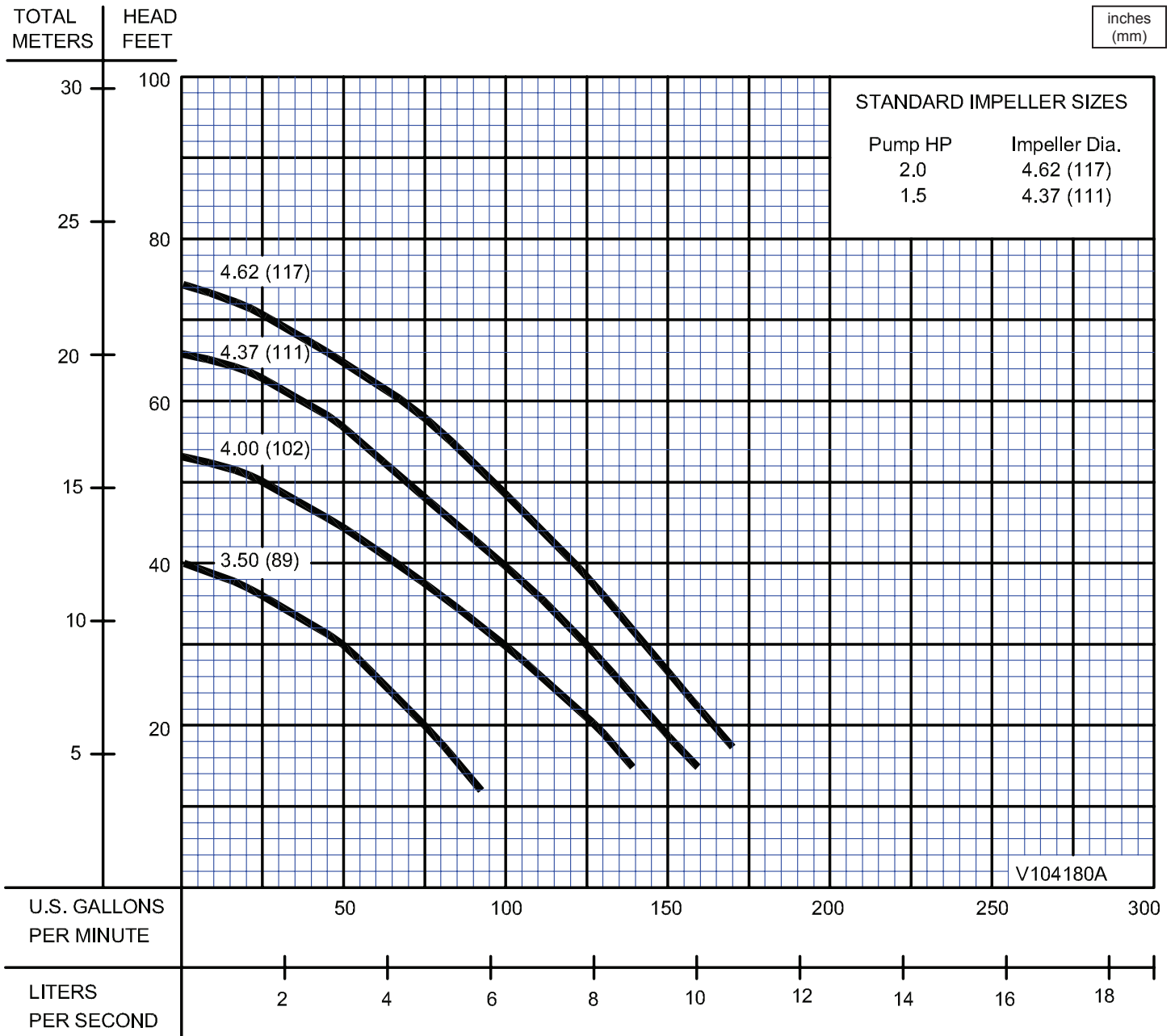
CRANE®

A Crane Co. Company

PUMPS & SYSTEMS

USA: (937) 778-8947 • Canada: (905) 457-6223 • International: (937) 615-3598

2" Discharge

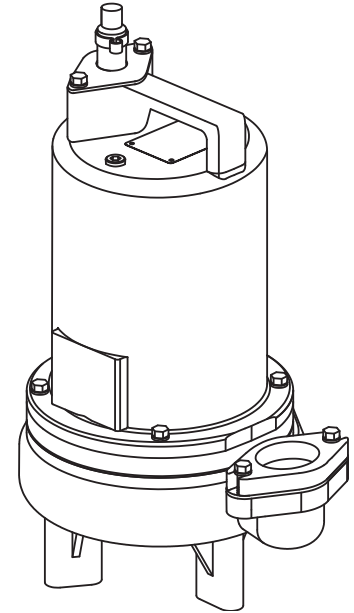


Testing is performed with water, specific gravity 1.0 @ 68° F @ (20°C), other fluids may vary performance

| | |
|---------------------------------|--|
| DISCHARGE | 2" NPT, Female, Vertical, Bolt-on Flange |
| LIQUID TEMPERATURE | 104°F (40°C) Continuous |
| VOLUTE | Cast Iron ASTM A-48, Class 30 |
| MOTOR HOUSING | Cast Iron ASTM A-48, Class 30 |
| SEAL PLATE | Cast Iron ASTM A-48, Class 30 |
| IMPELLER: Design | Vortex, open, with pump out vanes on back side. Dynamically balanced, ISO G6.3 |
| <i>Material</i> | Cast Iron ASTM A-48, Class 30 |
| SHAFT | 416 Stainless Steel |
| SQUARE RINGS | Buna-N |
| HARDWARE | 300 Series Stainless Steel |
| PAINT | Air Dry Enamel |
| SEAL: Design | Single Mechanical |
| <i>Material</i> | Carbon/Ceramic/Buna-N |
| | Hardware -300 Series Stainless |
| CORD ENTRY | 20 ft. (6m) Cord. Quick connect custom molded for sealing and strain relief. Plug supplied on 120V, 0.50HP, units. |
| SPEED | 1750 & 3450 RPM (Nominal) |
| UPPER BEARING | Single Row, Ball, Oil lubricated |
| <i>Load</i> | Radial |
| LOWER BEARING | Single Row, Ball, Oil lubricated |
| <i>Load</i> | Radial & Thrust |
| MOTOR: Design | NEMA L -Single Phase, NEMA B -Three phase Torque Curve, Oil Filled, Squirrel Cage Induction |
| <i>Insulation</i> | Class B |
| | Class F on selected models |
| SINGLE PHASE | Permanent Split Capacitor (PSC) |
| | Includes Overload Protection in Motor |
| THREE PHASE | 200-240/480 is Tri-Voltage. 600V. Requires Overload Protection to be included in control panel |
| OPTIONAL EQUIPMENT | Seal Material, Impeller Trims, Additional cord, Normally Closed Temperature Sensors with cord for 3 phase pumps (Requires relay in control panel). |

RECOMMENDED:

| | |
|-----------------------------|--|
| <i>Accessories</i> | Break Away Fitting (BAF) Check Valve Control Panel |
| <i>Seal Kit PN</i> | 130180 |
| <i>Service Kit PN</i> | 130207 |



Series: 2SEV-L
0.5, 0.75, 1.0HP,
1750 & 3450RPM, 60Hz



Sample Specifications: Section 1 Page 8.

DESCRIPTION:

SUBMERSIBLE NON-CLOG SEWAGE PUMP
DESIGNED FOR TYPICAL RAW SEWAGE
APPLICATIONS

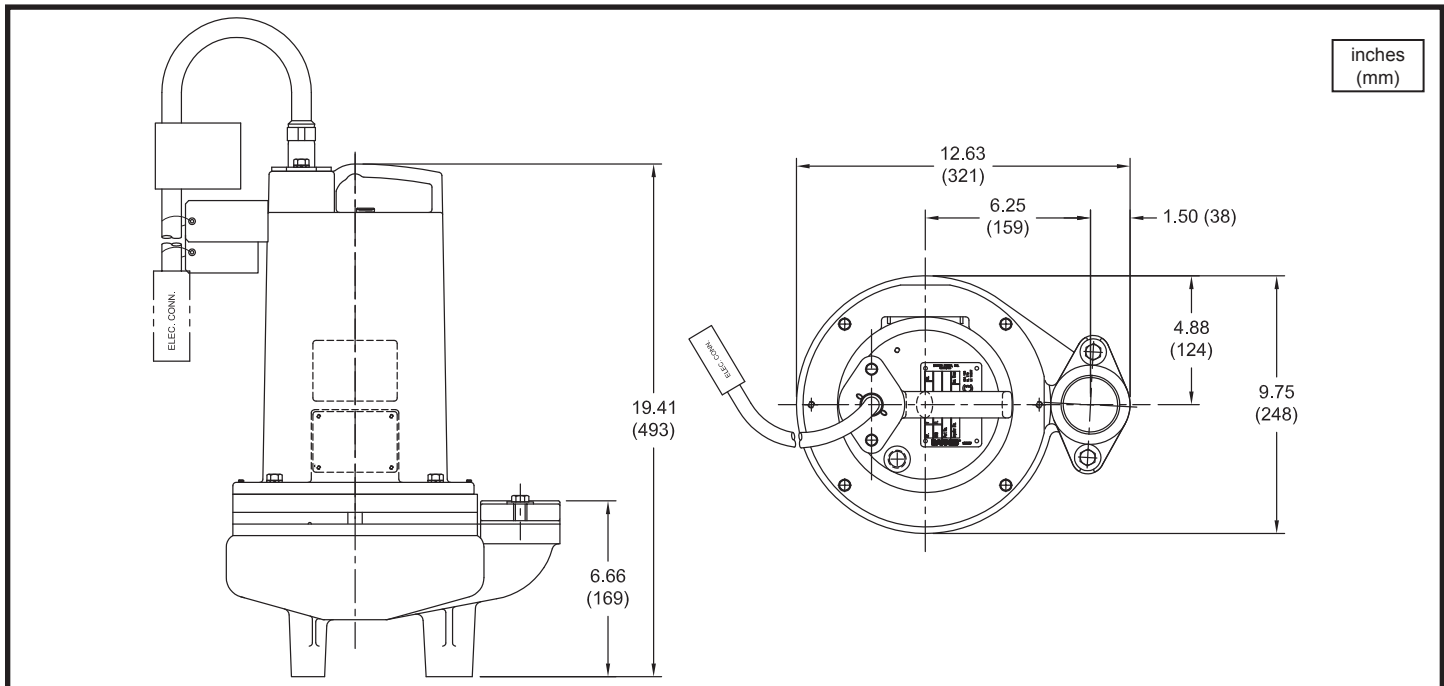
Series 2SEV-L

2" Spherical Solids Handling
Vortex, Single Seal

BARNES®

www.cranepumps.com

2" Discharge



| MODEL NO | PART NO | HP | VOLT/PH | Hz | RPM (Nom) | NEMA START CODE | INSUL. CLASS | FULL LOAD AMPS | LOCKED ROTOR AMPS | CORD SIZE | CORD TYPE | CORD O.D. inch (mm) |
|-----------|---------|------|-----------|----|-----------|-----------------|--------------|----------------|-------------------|-----------|-----------|---------------------|
| 2SEV514L | 104918 | 0.5 | 120/1 | 60 | 1750 | F | B | 12.0 | 21.3 | 14/3 | SJTOW | 0.375 (9.5) |
| 2SEV524L | 104919 | 0.5 | 240/1 | 60 | 1750 | J | B | 6.3 | 14.9 | 14/3 | SOW | 0.530 (13.5) |
| 2SEV594L | 104920 | 0.5 | 200-240/3 | 60 | 1750 | H/L | B | 3.7/3.8 | 9.8/11.0 | 14/4 | SOW | 0.570 (14.5) |
| 2SEV544L | 104921 | 0.5 | 480/3 | 60 | 1750 | K | B | 1.9 | 5.3 | 14/4 | SOW | 0.570 (14.5) |
| 2SEV554L | 104922 | 0.5 | 600/3 | 60 | 1750 | H | B | 1.4 | 3.4 | 14/4 | SOW | 0.570 (14.5) |
| 2SEV724L | 104928 | 0.75 | 240/1 | 60 | 1750 | K | F | 7.1 | 25.8 | 14/3 | SOW | 0.530 (13.5) |
| 2SEV794L | 104929 | 0.75 | 200-240/3 | 60 | 1750 | H/K | B | 4.8/4.6 | 13.7/15.4 | 14/4 | SOW | 0.570 (14.5) |
| 2SEV744L | 104930 | 0.75 | 480/3 | 60 | 1750 | K | B | 2.3 | 7.7 | 14/4 | SOW | 0.570 (14.5) |
| 2SEV754L | 104931 | 0.75 | 600/3 | 60 | 1750 | L | B | 1.6 | 7.2 | 14/4 | SOW | 0.570 (14.5) |
| 2SEV1024L | 104936 | 1.0 | 240/1 | 60 | 1750 | G | F | 8.5 | 25.8 | 14/3 | SOW | 0.530 (13.5) |
| 2SEV1094L | 104937 | 1.0 | 200-240/3 | 60 | 1750 | E/H | B | 5.3/5.1 | 13.7/15.4 | 14/3 | SOW | 0.570 (14.5) |
| 2SEV1044L | 104938 | 1.0 | 480/3 | 60 | 1750 | H | B | 2.5 | 7.7 | 14/4 | SOW | 0.570 (14.5) |
| 2SEV1054L | 104939 | 1.0 | 600/3 | 60 | 1750 | J | B | 2.2 | 7.2 | 14/4 | SOW | 0.570 (14.5) |
| 2SEV512L | 104970 | 0.5 | 120/1 | 60 | 3450 | G | B | 12.6 | 24.6 | 14/3 | SJTOW | 0.375 (9.5) |
| 2SEV522L | 104971 | 0.5 | 240/1 | 60 | 3450 | E | B | 6.0 | 10.2 | 14/3 | SOW | 0.530 (13.5) |
| 2SEV592L | 104972 | 0.5 | 200-240/3 | 60 | 3450 | P/R | B | 5.8/5.3 | 19.9/18.4 | 14/4 | SOW | 0.570 (14.5) |
| 2SEV542L | 104974 | 0.5 | 480/3 | 60 | 3450 | R | B | 2.6 | 9.1 | 14/4 | SOW | 0.570 (14.5) |
| 2SEV552L | 104975 | 0.5 | 600/3 | 60 | 3450 | T | B | 2.1 | 8.7 | 14/4 | SOW | 0.570 (14.5) |
| 2SEV1022L | 104982 | 1.0 | 240/1 | 60 | 3450 | F | B | 10.7 | 21.8 | 14/3 | SOW | 0.530 (13.5) |
| 2SEV1092L | 104983 | 1.0 | 200-240/3 | 60 | 3450 | H/J | B | 7.9/7.5 | 19.9/18.4 | 14/3 | SOW | 0.570 (14.5) |
| 2SEV1042L | 104985 | 1.0 | 480/3 | 60 | 3450 | J | B | 3.7 | 9.1 | 14/4 | SOW | 0.570 (14.5) |
| 2SEV1052L | 104986 | 1.0 | 600/3 | 60 | 3450 | L | B | 2.9 | 8.7 | 14/4 | SOW | 0.570 (14.5) |

OPTIONAL - Temperature sensor cord for 3 phase models is 14/3 SOW, 0.530 (13.5mm) O.D.

IMPORTANT !

- PUMP MAY BE OPERATED "DRY" FOR EXTENDED PERIODS WITHOUT DAMAGE TO MOTOR AND/OR SEALS.
- INSTALLATIONS SUCH AS DECORATIVE FOUNTAINS OR WATER FEATURES PROVIDED FOR VISUAL ENJOYMENT MUST BE INSTALLED IN ACCORDANCE WITH THE NATIONAL ELECTRIC CODE ANSI/NFPA 70 AND/OR THE AUTHORITY HAVING JURISDICTION. THIS PUMP IS NOT INTENDED FOR USE IN SWIMMING POOLS, RECREATIONAL WATER PARKS, OR INSTALLATIONS IN WHICH HUMAN CONTACT WITH PUMPED MEDIA IS A COMMON OCCURRENCE.

SECTION 1B
PAGE 24
DATE 6/17

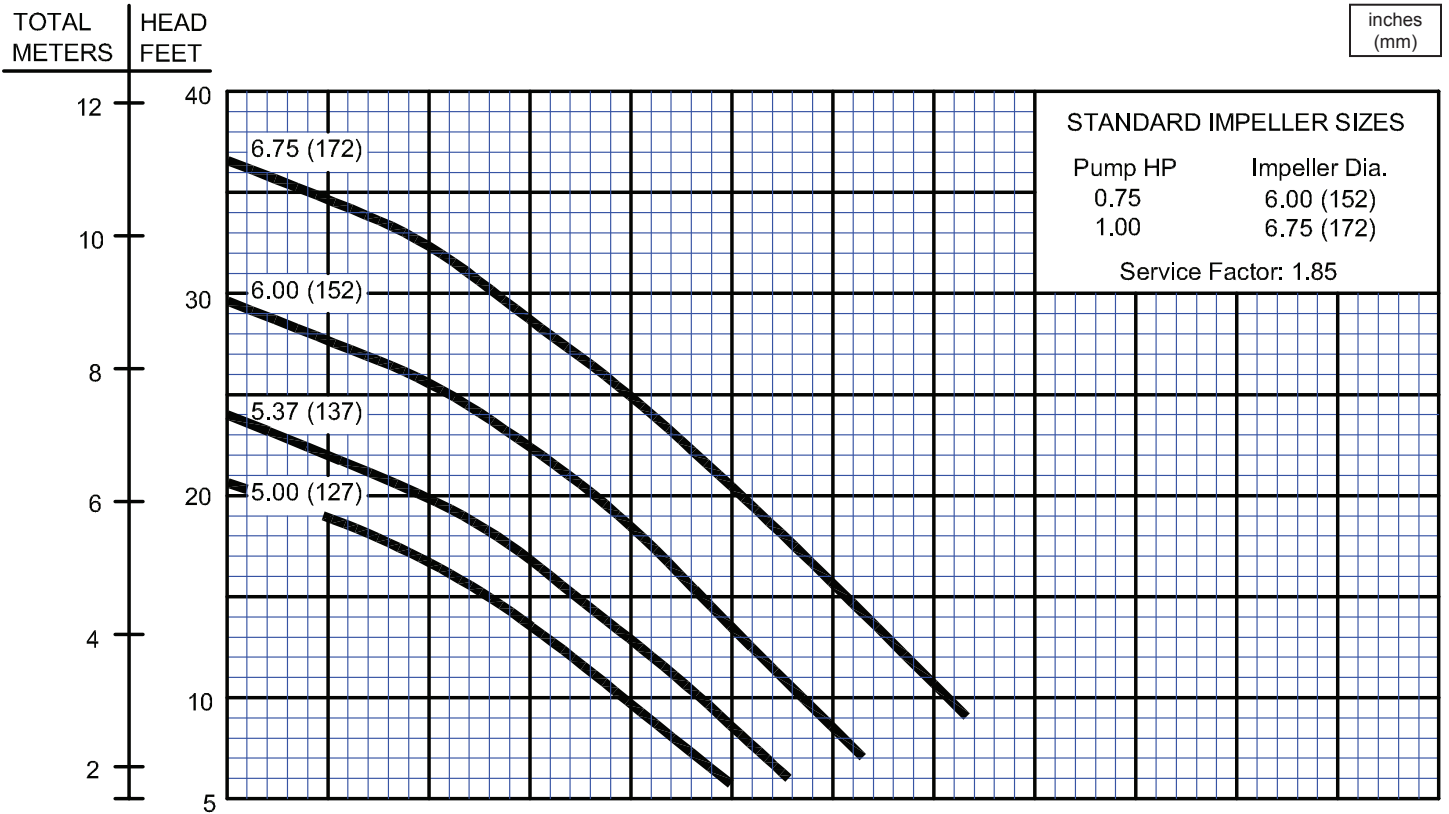
CRANE®

A Crane Co. Company

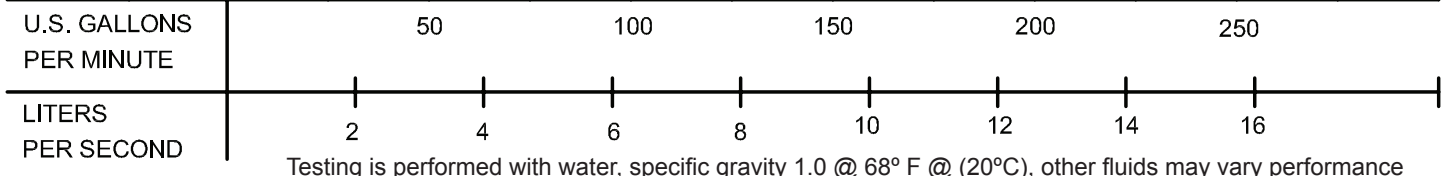
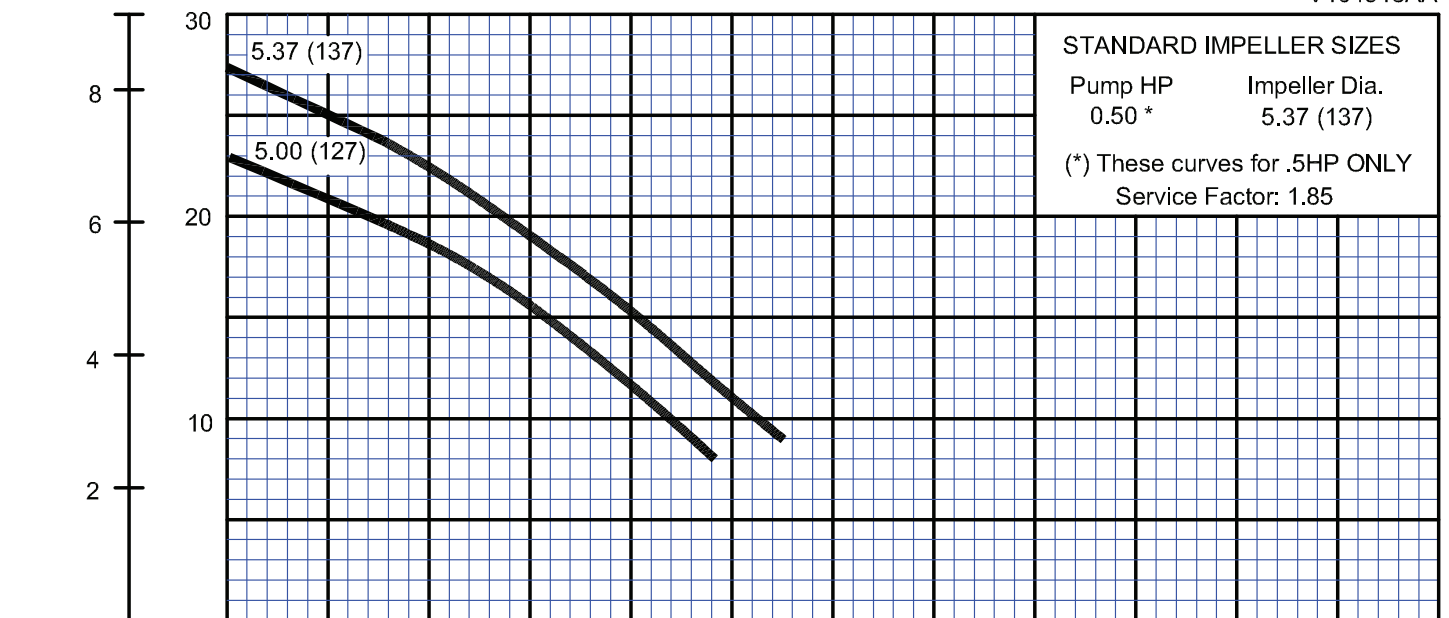
PUMPS & SYSTEMS

USA: (937) 778-8947 • Canada: (905) 457-6223 • International: (937) 615-3598

2" Discharge



V104918AA



Testing is performed with water, specific gravity 1.0 @ 68° F @ (20°C), other fluids may vary performance

Series 2SEV-L

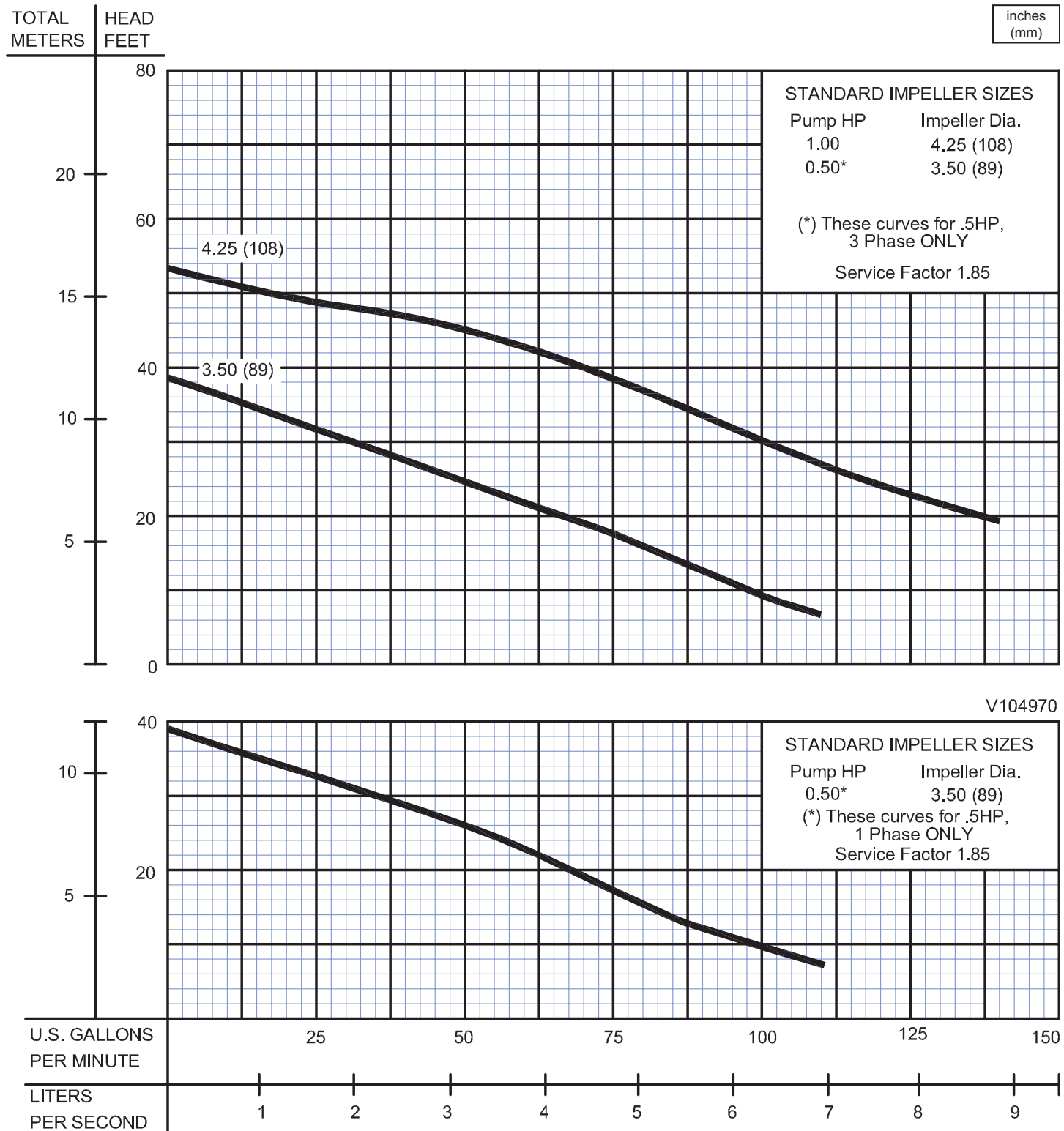
Performance Curve

.5HP & 1HP, 3450RPM, 60Hz

BARNES®

www.cranepumps.com

2" Discharge



Testing is performed with water, specific gravity 1.0 @ 68° F @ (20°C), other fluids may vary performance

SECTION 1B
PAGE 26
DATE 6/04

CRANE®

A Crane Co. Company

PUMPS & SYSTEMS

USA: (937) 778-8947 • Canada: (905) 457-6223 • International: (937) 615-3598