

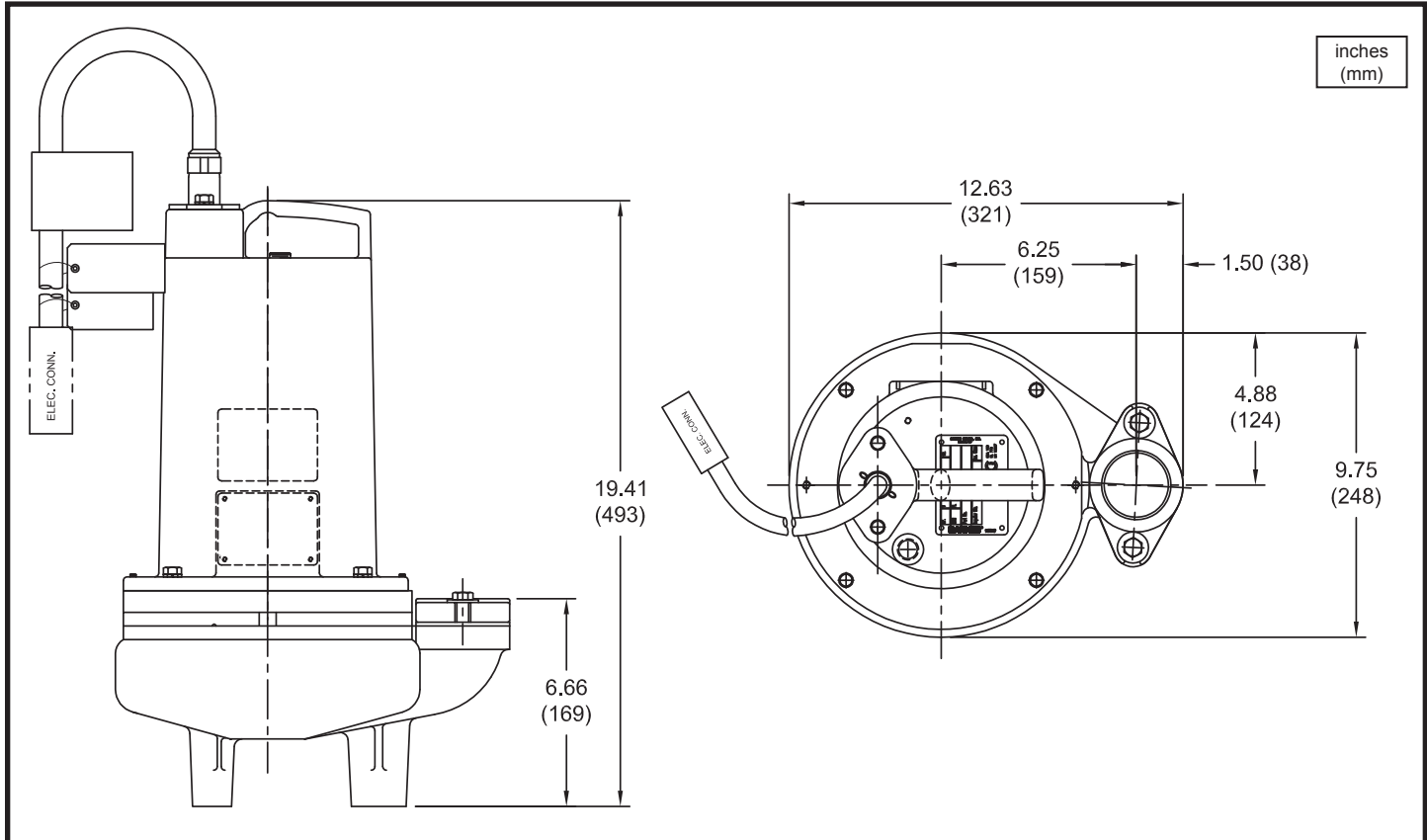
Series 2SEV-L

2" Spherical Solids Handling
Vortex, Single Seal

BARNES®

www.cranepumps.com

2" Discharge



MODEL NO	PART NO	HP	VOLT/PH	Hz	RPM (Nom)	NEMA START CODE	INSUL. CLASS	FULL LOAD AMPS	LOCKED ROTOR AMPS	CORD SIZE	CORD TYPE	CORD O.D inch (mm)
2SEV1522L	104187	1.5	240/1	60	3450	A	F	13.5	31.5	12/3	SOW	0.610 (15.5)
2SEV1592L	104188	1.5	200/240/3	60	3450	C	F	10.8/9.8	27.0	14/4	SOW	0.600 (15.2)
2SEV1542L	104189	1.5	480/3	60	3450	F	F	4.9	13.5	14/4	SOW	0.600 (15.2)
2SEV1552L	105774	1.5	600/3	60	3450	F	B	3.9	11.0	14/4	SOW	0.600 (15.2)
2SEV2022L	104190	2.0	240/1	60	3450	C	F	16.0	42.0	12/3	SOW	0.610 (15.5)
2SEV2092L	104191	2.0	200/240/3	60	3450	J	F	13.2/12.0	30.0	14/4	SOW	0.600 (15.2)
2SEV2042L	104192	2.0	480/3	60	3450	J	F	6.0	15.0	14/4	SOW	0.600 (15.2)
2SEV2052L	105775	2.0	600/3	60	3450	J	B	4.8	12.0	14/4	SOW	0.600 (15.2)

OPTIONAL - Temperature sensor cord for 3 phase models is 14/3 SOW, 0.530 (13.5mm) O.D.

IMPORTANT !

- PUMP MAY BE OPERATED "DRY" FOR EXTENDED PERIODS WITHOUT DAMAGE TO MOTOR AND/OR SEALS.
- INSTALLATIONS SUCH AS DECORATIVE FOUNTAINS OR WATER FEATURES PROVIDED FOR VISUAL ENJOYMENT MUST BE INSTALLED IN ACCORDANCE WITH THE NATIONAL ELECTRIC CODE ANSI/NFPA 70 AND/OR THE AUTHORITY HAVING JURISDICTION. THIS PUMP IS NOT INTENDED FOR USE IN SWIMMING POOLS, RECREATIONAL WATER PARKS, OR INSTALLATIONS IN WHICH HUMAN CONTACT WITH PUMPED MEDIA IS A COMMON OCCURRENCE.

SECTION 1B
PAGE 32
DATE 8/16

CRANE®

A Crane Co. Company

PUMPS & SYSTEMS

USA: (937) 778-8947 • Canada: (905) 457-6223 • International: (937) 615-3598

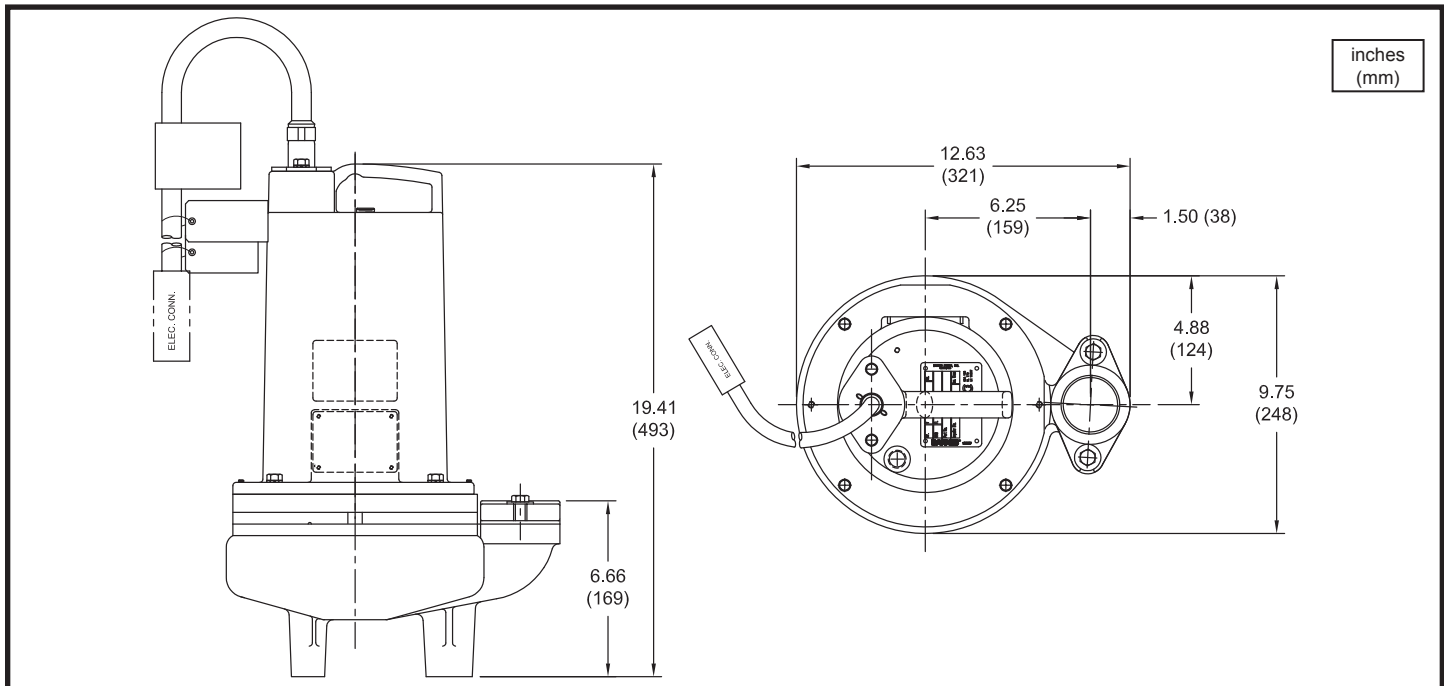
Series 2SEV-L

2" Spherical Solids Handling
Vortex, Single Seal

BARNES®

www.cranepumps.com

2" Discharge



MODEL NO	PART NO	HP	VOLT/PH	Hz	RPM (Nom)	NEMA START CODE	INSUL. CLASS	FULL LOAD AMPS	LOCKED ROTOR AMPS	CORD SIZE	CORD TYPE	CORD O.D. inch (mm)
2SEV514L	104918	0.5	120/1	60	1750	F	B	12.0	21.3	14/3	SJTOW	0.375 (9.5)
2SEV524L	104919	0.5	240/1	60	1750	J	B	6.3	14.9	14/3	SOW	0.530 (13.5)
2SEV594L	104920	0.5	200-240/3	60	1750	H/L	B	3.7/3.8	9.8/11.0	14/4	SOW	0.570 (14.5)
2SEV544L	104921	0.5	480/3	60	1750	K	B	1.9	5.3	14/4	SOW	0.570 (14.5)
2SEV554L	104922	0.5	600/3	60	1750	H	B	1.4	3.4	14/4	SOW	0.570 (14.5)
2SEV724L	104928	0.75	240/1	60	1750	K	F	7.1	25.8	14/3	SOW	0.530 (13.5)
2SEV794L	104929	0.75	200-240/3	60	1750	H/K	B	4.8/4.6	13.7/15.4	14/4	SOW	0.570 (14.5)
2SEV744L	104930	0.75	480/3	60	1750	K	B	2.3	7.7	14/4	SOW	0.570 (14.5)
2SEV754L	104931	0.75	600/3	60	1750	L	B	1.6	7.2	14/4	SOW	0.570 (14.5)
2SEV1024L	104936	1.0	240/1	60	1750	G	F	8.5	25.8	14/3	SOW	0.530 (13.5)
2SEV1094L	104937	1.0	200-240/3	60	1750	E/H	B	5.3/5.1	13.7/15.4	14/3	SOW	0.570 (14.5)
2SEV1044L	104938	1.0	480/3	60	1750	H	B	2.5	7.7	14/4	SOW	0.570 (14.5)
2SEV1054L	104939	1.0	600/3	60	1750	J	B	2.2	7.2	14/4	SOW	0.570 (14.5)
2SEV512L	104970	0.5	120/1	60	3450	G	B	12.6	24.6	14/3	SJTOW	0.375 (9.5)
2SEV522L	104971	0.5	240/1	60	3450	E	B	6.0	10.2	14/3	SOW	0.530 (13.5)
2SEV592L	104972	0.5	200-240/3	60	3450	P/R	B	5.8/5.3	19.9/18.4	14/4	SOW	0.570 (14.5)
2SEV542L	104974	0.5	480/3	60	3450	R	B	2.6	9.1	14/4	SOW	0.570 (14.5)
2SEV552L	104975	0.5	600/3	60	3450	T	B	2.1	8.7	14/4	SOW	0.570 (14.5)
2SEV1022L	104982	1.0	240/1	60	3450	F	B	10.7	21.8	14/3	SOW	0.530 (13.5)
2SEV1092L	104983	1.0	200-240/3	60	3450	H/J	B	7.9/7.5	19.9/18.4	14/3	SOW	0.570 (14.5)
2SEV1042L	104985	1.0	480/3	60	3450	J	B	3.7	9.1	14/4	SOW	0.570 (14.5)
2SEV1052L	104986	1.0	600/3	60	3450	L	B	2.9	8.7	14/4	SOW	0.570 (14.5)

OPTIONAL - Temperature sensor cord for 3 phase models is 14/3 SOW, 0.530 (13.5mm) O.D.

IMPORTANT !

- PUMP MAY BE OPERATED "DRY" FOR EXTENDED PERIODS WITHOUT DAMAGE TO MOTOR AND/OR SEALS.
- INSTALLATIONS SUCH AS DECORATIVE FOUNTAINS OR WATER FEATURES PROVIDED FOR VISUAL ENJOYMENT MUST BE INSTALLED IN ACCORDANCE WITH THE NATIONAL ELECTRIC CODE ANSI/NFPA 70 AND/OR THE AUTHORITY HAVING JURISDICTION. THIS PUMP IS NOT INTENDED FOR USE IN SWIMMING POOLS, RECREATIONAL WATER PARKS, OR INSTALLATIONS IN WHICH HUMAN CONTACT WITH PUMPED MEDIA IS A COMMON OCCURRENCE.

SECTION 1B
PAGE 24
DATE 6/17

CRANE
A Crane Co. Company

PUMPS & SYSTEMS

USA: (937) 778-8947 • Canada: (905) 457-6223 • International: (937) 615-3598