

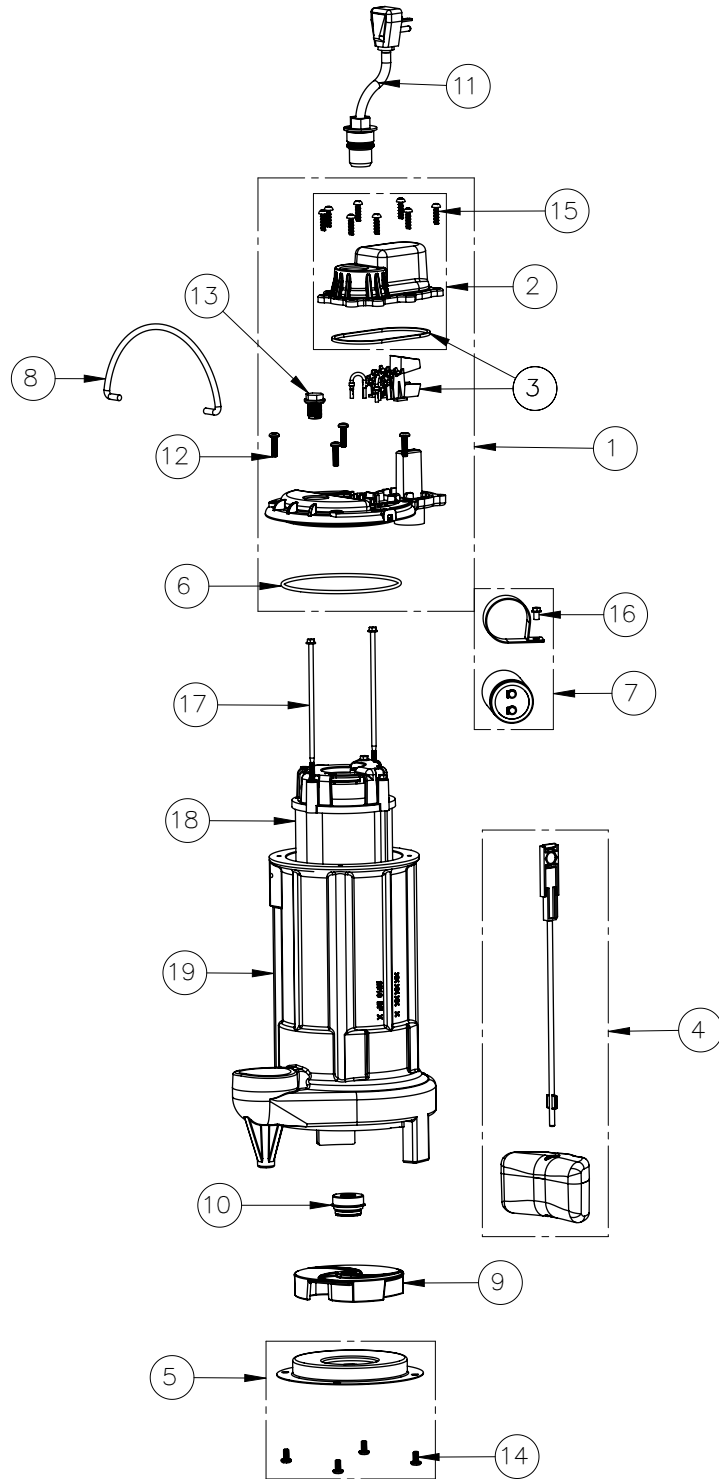
297HV**297HV (B59)**

#	PART #	DESCRIPTION	QTY	Note
1	K001332	VMF MOTOR COVER KIT	1	
2	K001329	VMF SWITCH COVER KIT	1	
3	K001330	VMF SWITCH AND SEALRING KIT	1	
4	K001050	VMF FLOAT AND ROD KIT	1	
5	K001349	290 SERIES STAMPING INLET KIT	1	
6	2357000	O-RING	1	[1]
7	K001354	CAPACITOR KIT	1	
8	K001082	HANDLE	1	
9	K001351	290 SERIES IMPELLER KIT	1	
10	50980A0	1/2 INCH UNITIZED SEAL	1	[1]
11	K001058	POWER CORD, 10FT. 230V	1	
12	8072000	#10 - 24 x 3/4" SCREW	4	
13	8089000	OIL PLUG, O-RING ASSEMBLY	1	
14	8092000	#10 - 24 x 3/8" SCREW	4	
15	8104200	#10 HILO X 5/8" STAINLESS STEEL SCREW	8	
16	8160000	CAPACITOR SCREW	1	[1]
17	2904E20	8-32 SCREW 5.688	2	
18	2426200	MOTOR, 230V	1	[1]
19	290300J	CAST IRON HOUSING	1	

PART NOTES:

[1] - Part requires factory authorized service. Contact Liberty Pumps at 1-800-543-2550

297HV-2 (B59)



297HV-2**297HV-2 (B59)**

#	PART #	DESCRIPTION	QTY	Note
1	K001332	VMF MOTOR COVER KIT	1	
2	K001329	VMF SWITCH COVER KIT	1	
3	K001330	VMF SWITCH AND SEALRING KIT	1	
4	K001050	VMF FLOAT AND ROD KIT	1	
5	K001349	290 SERIES STAMPING INLET KIT	1	
6	2357000	O-RING	1	[1]
7	K001354	CAPACITOR KIT	1	
8	K001082	HANDLE	1	
9	K001351	290 SERIES IMPELLER KIT	1	
10	50980A0	1/2 INCH UNITIZED SEAL	1	[1]
11	K001059	POWER CORD, 230V, 25 FOOT CORD	1	
12	8072000	#10 - 24 x 3/4" SCREW	4	
13	8089000	OIL PLUG, O-RING ASSEMBLY	1	
14	8092000	#10 - 24 x 3/8" SCREW	4	
15	8104200	#10 HILO X 5/8" STAINLESS STEEL SCREW	8	
16	8160000	CAPACITOR SCREW	1	[1]
17	2904E20	8-32 SCREW 5.688	1	
18	2426200	MOTOR, 230V	1	[1]
19	290300J	CAST IRON HOUSING	1	

PART NOTES:

[1] - Part requires factory authorized service. Contact Liberty Pumps at 1-800-543-2550