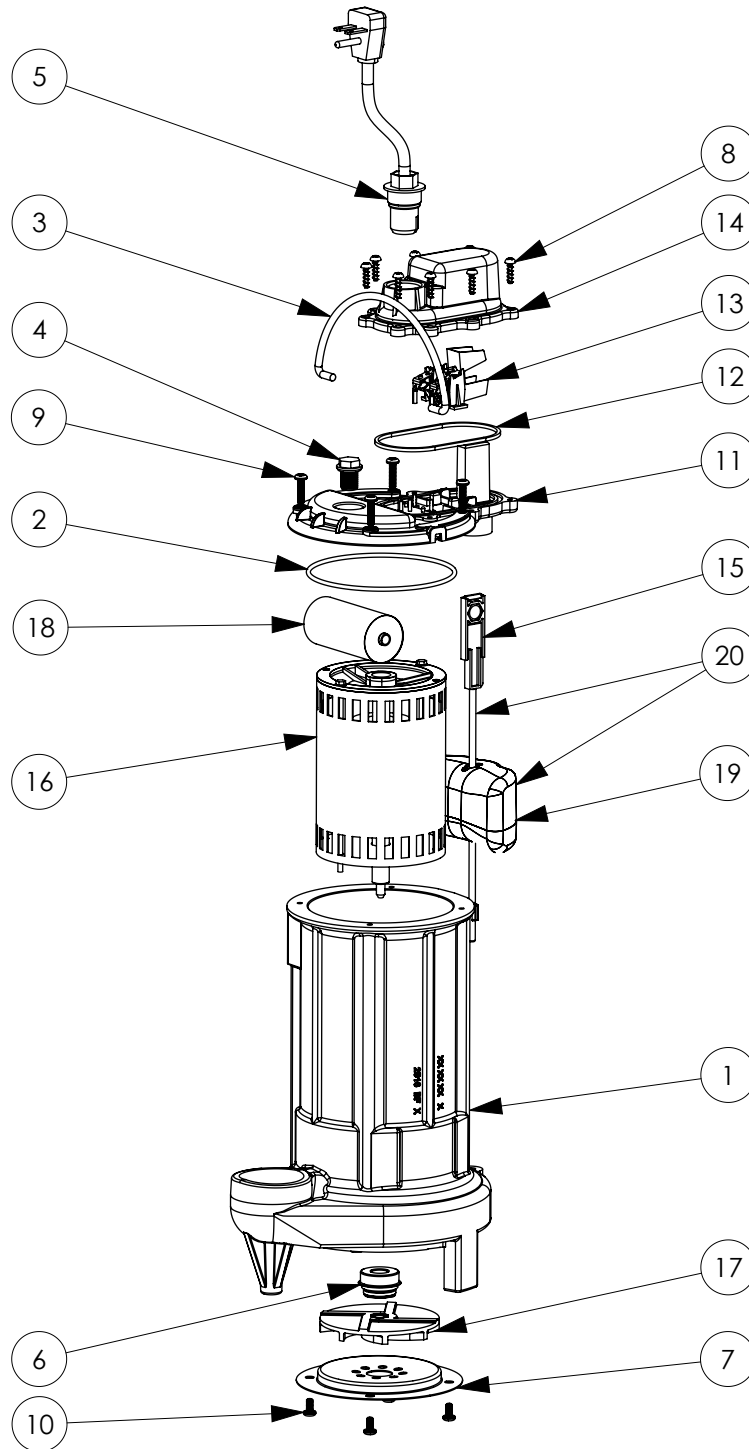


287HV

287HV (B10)



287HV**287HV (B10)**

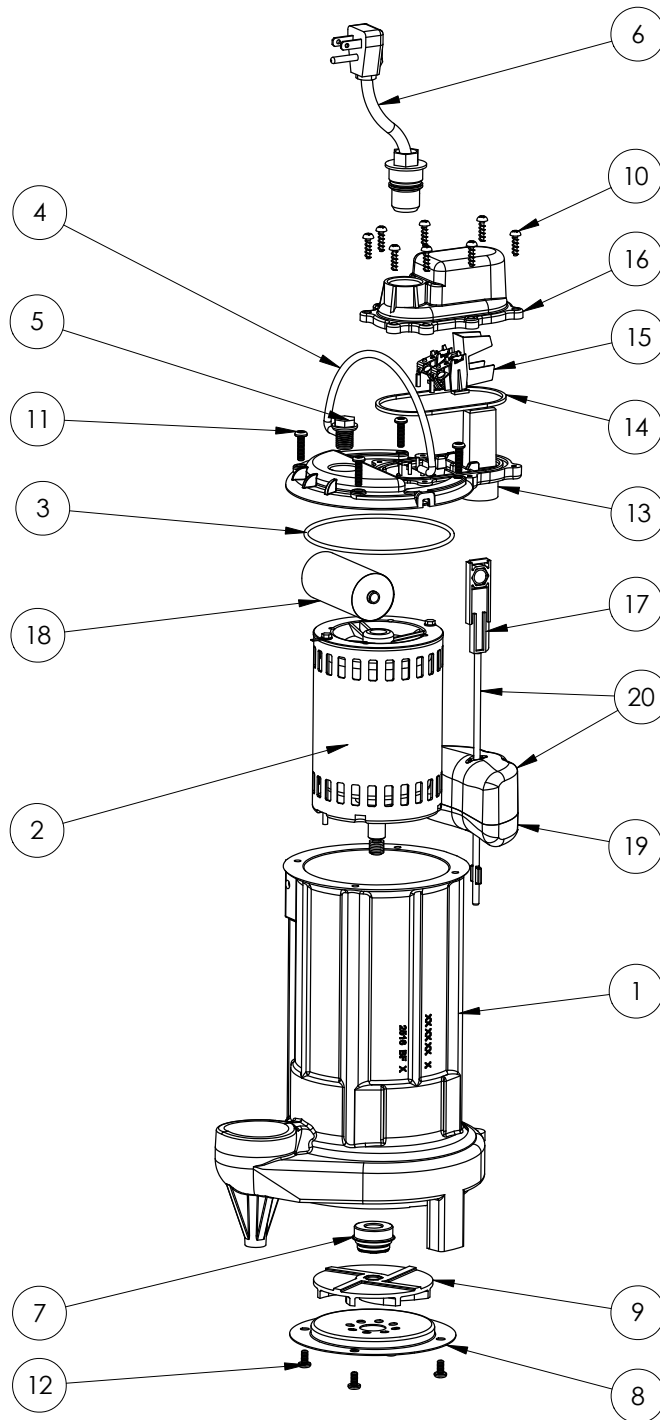
#	PART #	DESCRIPTION	QTY	Note
1	25160AJ	HOUSING	1	
2	2357000	O-RING	1	[1]
3	K001082	HANDLE	1	
4	8089000	OIL PLUG, O-RING ASSEMBLY	1	
5	K001058	POWER CORD, 10FT. 230V	1	
6	50980A0	1/2 INCH UNITIZED SEAL	1	[1]
7	2414000	280 SERIES STAMPING INLET	1	
8	8104200	#10 HILO X 5/8" STAINLESS STEEL SCREW	8	
9	8072000	#10 - 24 x 3/4" SCREW	4	
10	8092000	#10 - 24 x 3/8" SCREW	4	
11	206500B	VMF MOTOR COVER, BLACK	1	
12	2072000	SEALRING, SWITCH COVER	1	
13	K001012	VMF SWITCH	1	
14	K001069	VMF SWITCH COVER, BLACK	1	
15	2076000	VMF FLOAT ROD	1	
16	2522000	MOTOR, .5HP 230V	1	[1]
17	K001091	280 SERIES IMPELLER KIT	1	
18	25210A0	CAPACITOR	1	[1]
19	2362000	VMF FLOAT	1	[1]
20	K001050	VMF FLOAT AND ROD KIT	1	

PART NOTES:

[1] - Part requires factory authorized service. Contact Liberty Pumps at 1-800-543-2550

287HV

287HV (B11)



287HV**287HV (B11)**

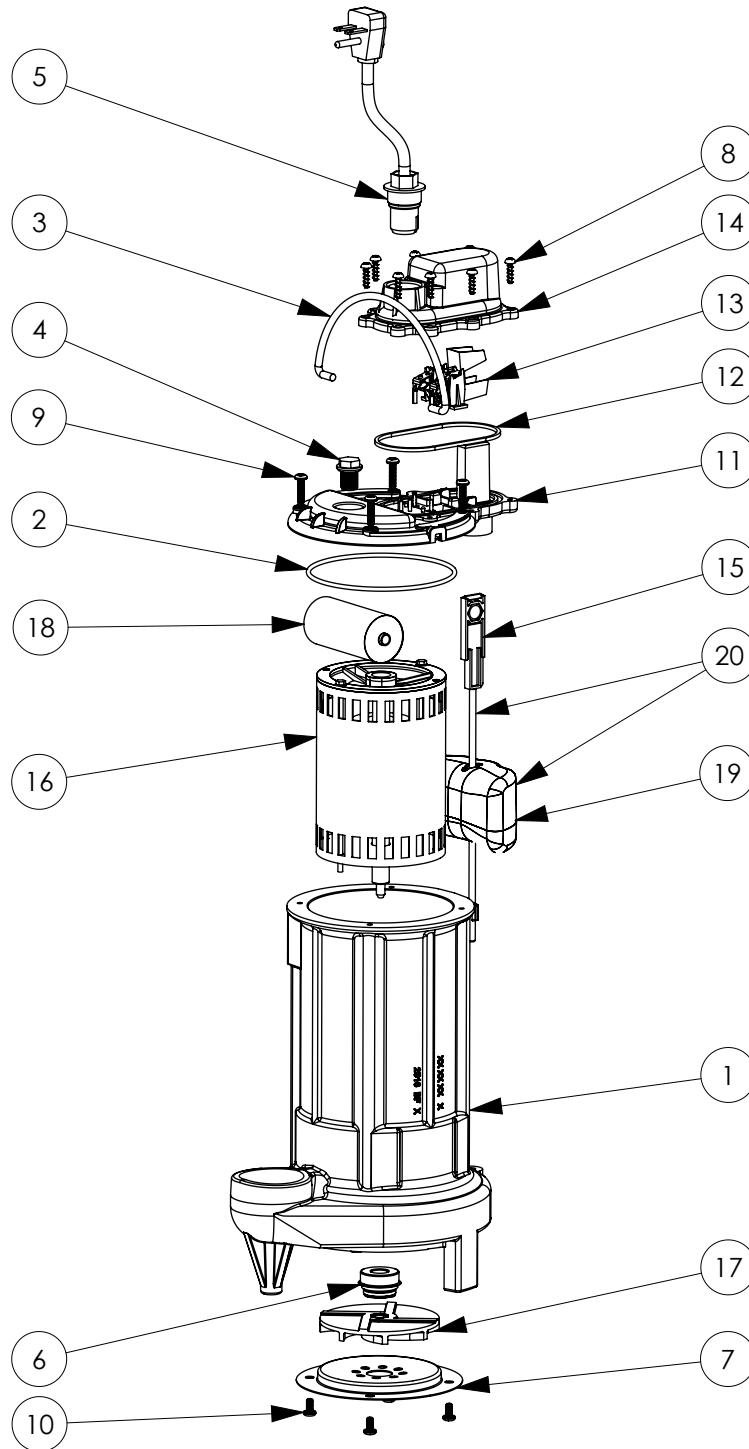
#	PART #	DESCRIPTION	QTY	Note
1	2516000	CAST IRON HOUSING WITHOUT HOLE	1	
2	2522000	MOTOR, .5HP 230V	1	[1]
3	2357000	O-RING	1	[1]
4	K001082	HANDLE	1	
5	8089000	OIL PLUG, O-RING ASSEMBLY	1	
6	K001058	POWER CORD, 10FT. 230V	1	
7	5098000	1/2 INCH UNITIZED SEAL	1	
8	2414000	280 SERIES STAMPING INLET	1	
9	K001091	280 SERIES IMPELLER KIT	1	
10	8104200	#10 HILO X 5/8" STAINLESS STEEL SCREW	8	
11	8072000	#10 - 24 x 3/4" SCREW	4	
12	8092000	#10 - 24 x 3/8" SCREW	4	
13	206500G	VMF MOTOR COVER GREY	1	
14	2072000	SEALRING, SWITCH COVER	1	
15	K001012	VMF SWITCH	1	
16	K001069	VMF SWITCH COVER, BLACK	1	
17	2076000	VMF FLOAT ROD	1	
18	2521000	CAPACITOR	1	
19	2362000	VMF FLOAT	1	[1]
20	K001050	VMF FLOAT AND ROD KIT	1	

PART NOTES:

[1] - Part requires factory authorized service. Contact Liberty Pumps at 1-800-543-2550

287HV

287HV (B20)



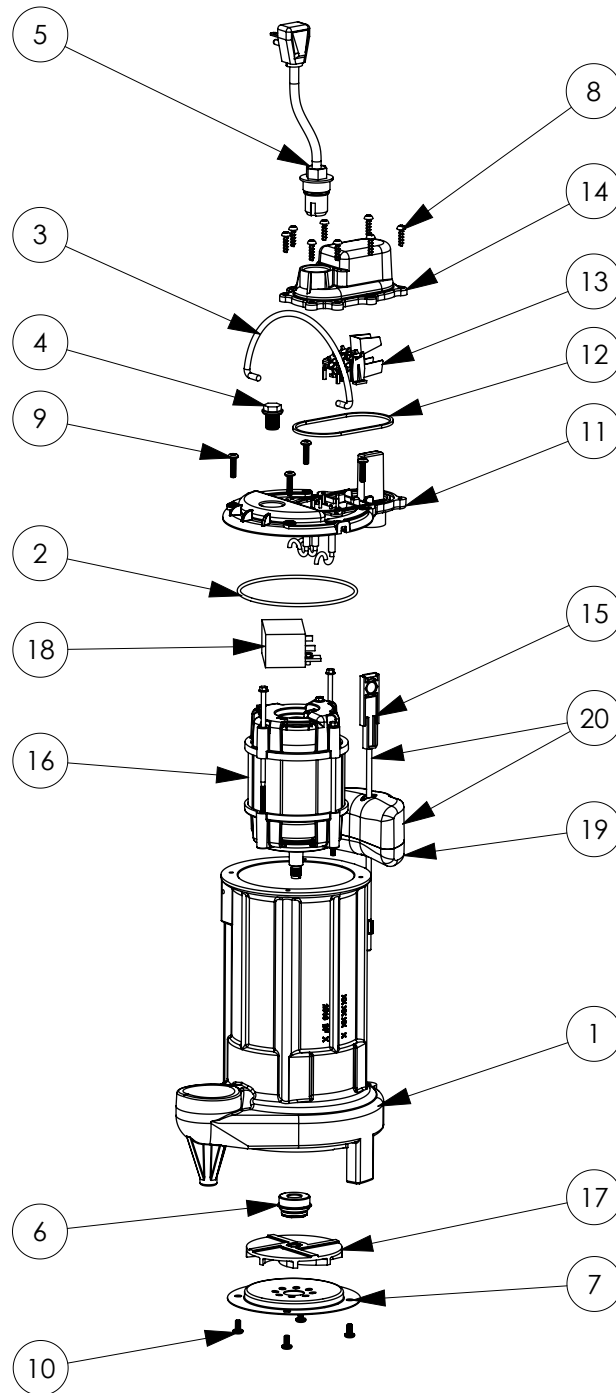
287HV**287HV (B20)**

#	PART #	DESCRIPTION	QTY	Note
1	25160AJ	HOUSING	1	
2	2357000	O-RING	1	[1]
3	K001082	HANDLE	1	
4	8089000	OIL PLUG, O-RING ASSEMBLY	1	
5	K001058	POWER CORD, 10FT. 230V	1	
6	50980A0	1/2 INCH UNITIZED SEAL	1	[1]
7	2414000	280 SERIES STAMPING INLET	1	
8	8104200	#10 HILO X 5/8" STAINLESS STEEL SCREW	8	
9	8072000	#10 - 24 x 3/4" SCREW	4	
10	8092000	#10 - 24 x 3/8" SCREW	4	
11	206500B	VMF MOTOR COVER, BLACK	1	
12	2072000	SEALRING, SWITCH COVER	1	
13	K001012	VMF SWITCH	1	
14	K001069	VMF SWITCH COVER, BLACK	1	
15	2076000	VMF FLOAT ROD	1	
16	2522000	MOTOR, .5HP 230V	1	[1]
17	K001091	280 SERIES IMPELLER KIT	1	
18	25210A0	CAPACITOR	1	[1]
19	2362000	VMF FLOAT	1	[1]
20	K001050	VMF FLOAT AND ROD KIT	1	

PART NOTES:

[1] - Part requires factory authorized service. Contact Liberty Pumps at 1-800-543-2550

287HV (B39)



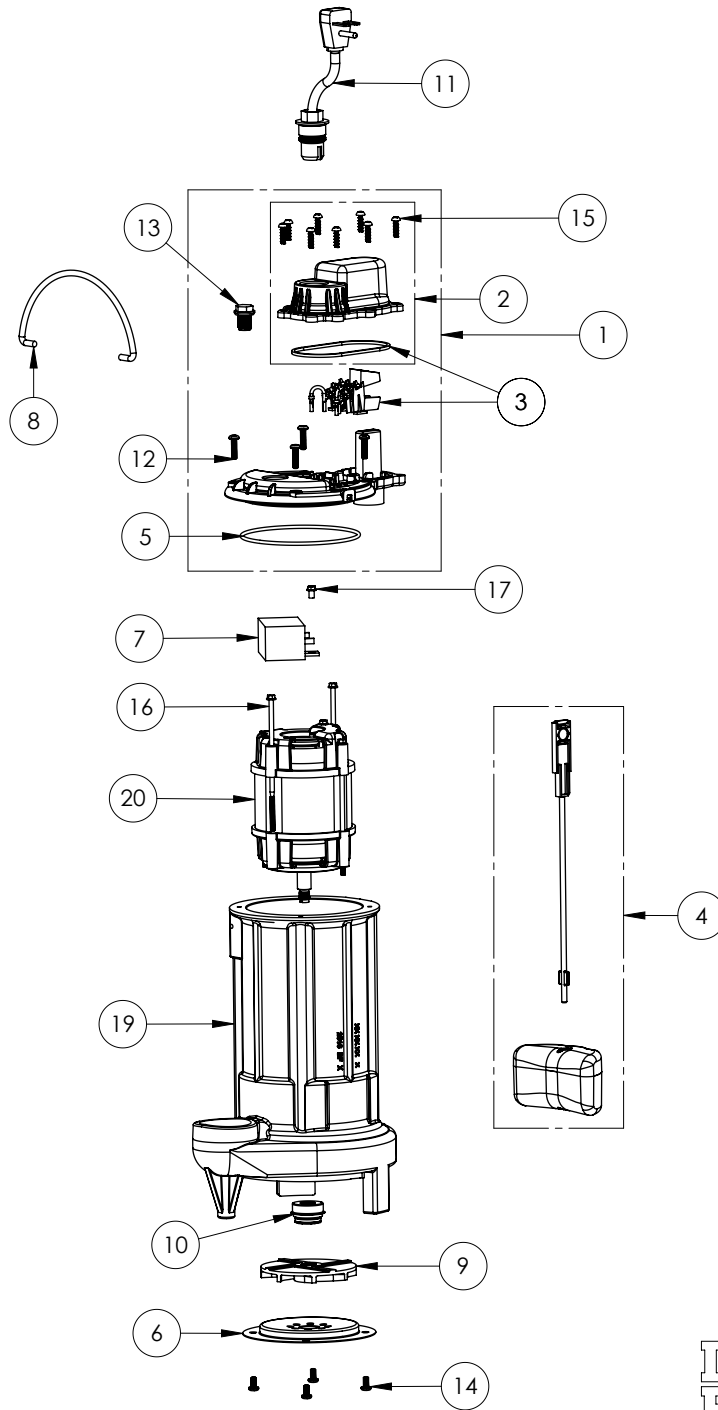
287HV**287HV (B39)**

#	PART #	DESCRIPTION	QTY	Note
1	25162CJ	HOUSING	1	
2	2357000	O-RING	1	[1]
3	K001082	HANDLE	1	
4	8089000	OIL PLUG, O-RING ASSEMBLY	1	
5	K001058	POWER CORD, 10FT. 230V	1	
6	50980A0	1/2 INCH UNITIZED SEAL	1	[1]
7	2414000	280 SERIES STAMPING INLET	1	
8	8104200	#10 HILO X 5/8" STAINLESS STEEL SCREW	8	
9	8072000	#10 - 24 x 3/4" SCREW	4	
10	8092000	#10 - 24 x 3/8" SCREW	4	
11	206500B	VMF MOTOR COVER, BLACK	1	
12	2072000	SEALRING, SWITCH COVER	1	
13	K001012	VMF SWITCH	1	
14	K001069	VMF SWITCH COVER, BLACK	1	
15	2076000	VMF FLOAT ROD	1	
16	2424200	MOTOR, .5HP 230V	1	[1]
17	K001091	280 SERIES IMPELLER KIT	1	
18	2455000	CAPACITOR	1	[1]
19	2362000	VMF FLOAT	1	[1]
20	K001050	VMF FLOAT AND ROD KIT	1	

PART NOTES:

[1] - Part requires factory authorized service. Contact Liberty Pumps at 1-800-543-2550

287HV (B59)



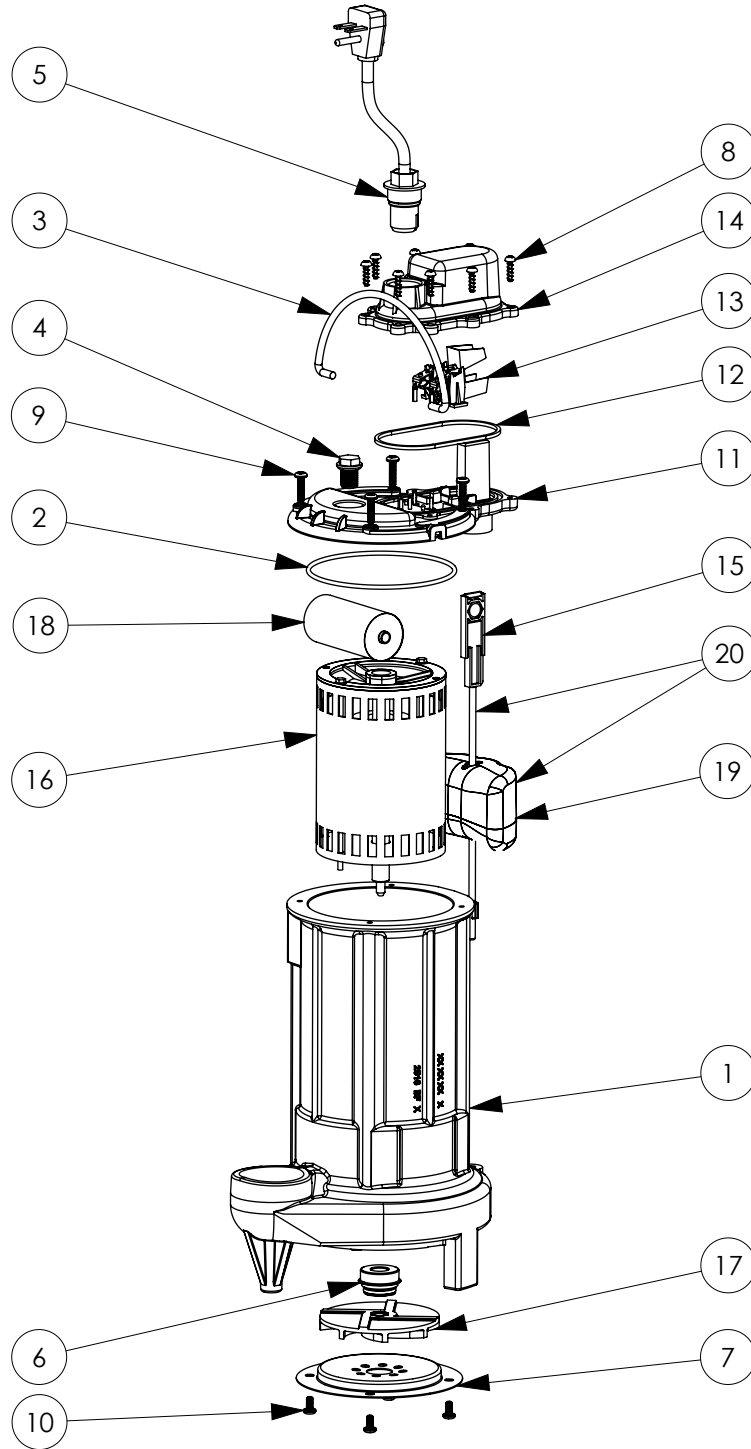
287HV**287HV (B59)**

#	PART #	DESCRIPTION	QTY	Note
1	K001332	VMF MOTOR COVER KIT	1	
2	K001329	VMF SWITCH COVER KIT	1	
3	K001330	VMF SWITCH AND SEALRING KIT	1	
4	K001050	VMF FLOAT AND ROD KIT	1	
5	2357000	O-RING	1	[1]
6	2414000	280 SERIES STAMPING INLET	1	
7	2455000	CAPACITOR	1	[1]
8	K001082	HANDLE	1	
9	K001091	280 SERIES IMPELLER KIT	1	
10	50980A0	1/2 INCH UNITIZED SEAL	1	[1]
11	K001058	POWER CORD, 10FT. 230V	1	
12	8072000	#10 - 24 x 3/4" SCREW	4	
13	8089000	OIL PLUG, O-RING ASSEMBLY	1	
14	8092000	#10 - 24 x 3/8" SCREW	4	
15	8104200	#10 HILO X 5/8" STAINLESS STEEL SCREW	8	
16	8150000	#8-32 x 4-7/8" SCREW	2	[1]
17	8160000	CAPACITOR SCREW	1	[1]
19	25162CJ	HOUSING	1	
20	2424200	MOTOR, .5HP 230V	1	[1]

PART NOTES:

[1] - Part requires factory authorized service. Contact Liberty Pumps at 1-800-543-2550

287HV-2 (B10)



287HV-2**287HV-2 (B10)**

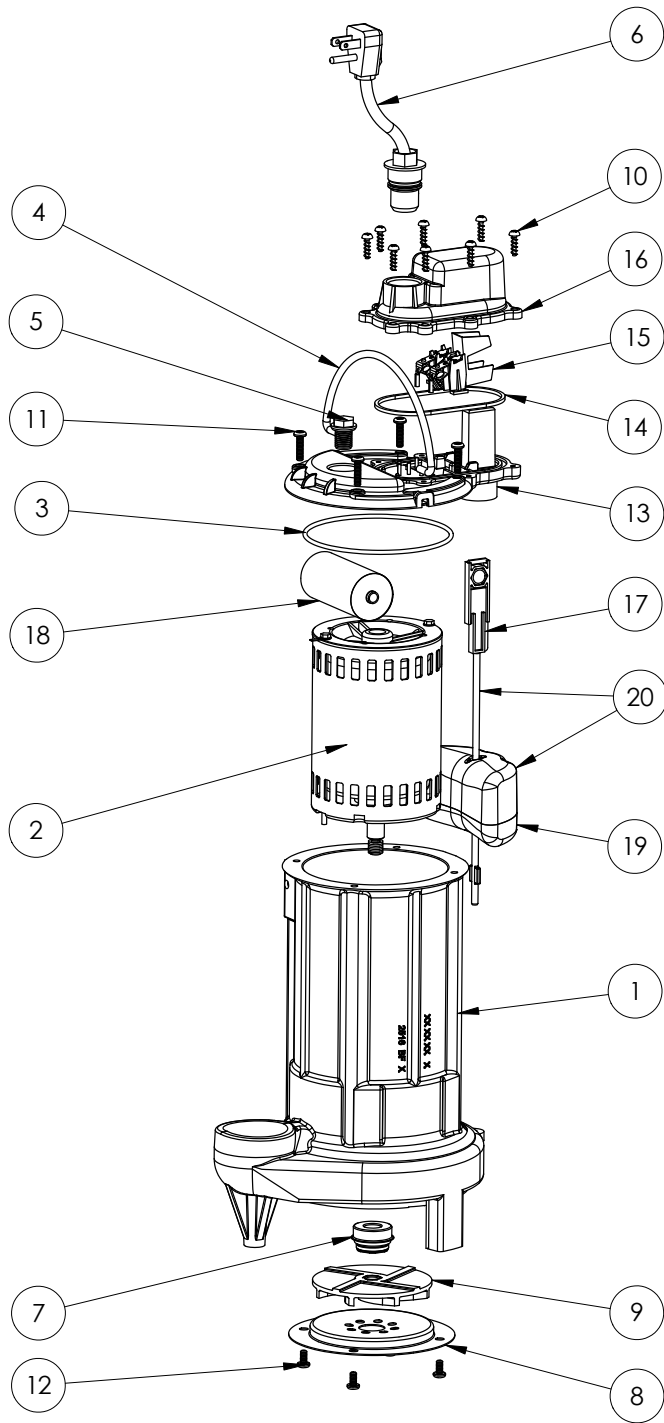
#	PART #	DESCRIPTION	QTY	Note
1	25160AJ	HOUSING	1	
2	2357000	O-RING	1	[1]
3	K001082	HANDLE	1	
4	8089000	OIL PLUG, O-RING ASSEMBLY	1	
5	K001059	POWER CORD, 230V, 25 FOOT CORD	1	
6	50980A0	1/2 INCH UNITIZED SEAL	1	[1]
7	2414000	280 SERIES STAMPING INLET	1	
8	8104200	#10 HILO X 5/8" STAINLESS STEEL SCREW	8	
9	8072000	#10 - 24 x 3/4" SCREW	4	
10	8092000	#10 - 24 x 3/8" SCREW	4	
11	206500B	VMF MOTOR COVER, BLACK	1	
12	2072000	SEALRING, SWITCH COVER	1	
13	K001012	VMF SWITCH	1	
14	K001069	VMF SWITCH COVER, BLACK	1	
15	2076000	VMF FLOAT ROD	1	
16	2522000	MOTOR, .5HP 230V	1	[1]
17	K001091	280 SERIES IMPELLER KIT	1	
18	25210A0	CAPACITOR	1	[1]
19	2362000	VMF FLOAT	1	[1]
20	K001050	VMF FLOAT AND ROD KIT	1	

PART NOTES:

[1] - Part requires factory authorized service. Contact Liberty Pumps at 1-800-543-2550

287HV-2

287HV-2 (B11)



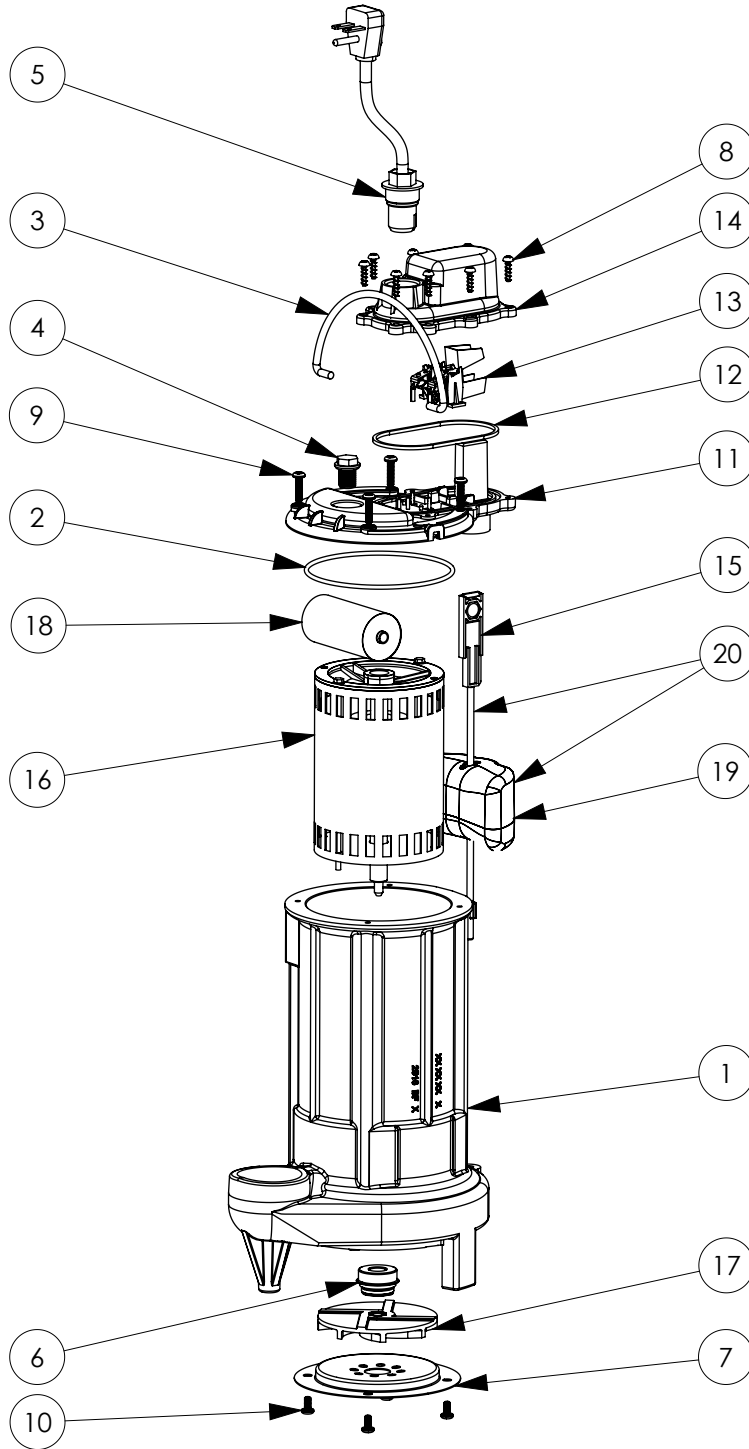
287HV-2**287HV-2 (B11)**

#	PART #	DESCRIPTION	QTY	Note
1	2516000	CAST IRON HOUSING WITHOUT HOLE	1	
2	2522000	MOTOR, .5HP 230V	1	[1]
3	2357000	O-RING	1	[1]
4	K001082	HANDLE	1	
5	8089000	OIL PLUG, O-RING ASSEMBLY	1	
6	K001059	POWER CORD, 230V, 25 FOOT CORD	1	
7	5098000	1/2 INCH UNITIZED SEAL	1	
8	2414000	280 SERIES STAMPING INLET	1	
9	K001091	280 SERIES IMPELLER KIT	1	
10	8104200	#10 HILO X 5/8" STAINLESS STEEL SCREW	8	
11	8072000	#10 - 24 x 3/4" SCREW	4	
12	8092000	#10 - 24 x 3/8" SCREW	4	
13	206500G	VMF MOTOR COVER GREY	1	
14	2072000	SEALRING, SWITCH COVER	1	
15	K001012	VMF SWITCH	1	
16	K001069	VMF SWITCH COVER, BLACK	1	
17	2076000	VMF FLOAT ROD	1	
18	2521000	CAPACITOR	1	
19	2362000	VMF FLOAT	1	[1]
20	K001050	VMF FLOAT AND ROD KIT	1	

PART NOTES:

[1] - Part requires factory authorized service. Contact Liberty Pumps at 1-800-543-2550

287HV-2 (B20)



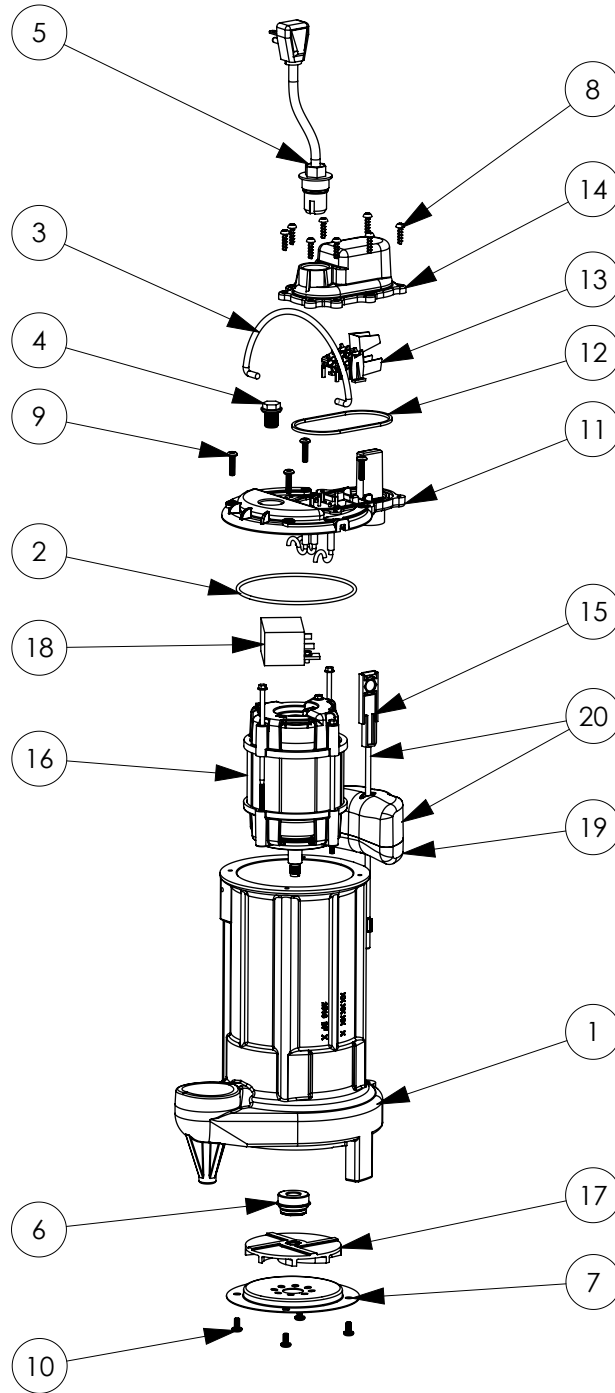
287HV-2**287HV-2 (B20)**

#	PART #	DESCRIPTION	QTY	Note
1	25160AJ	HOUSING	1	
2	2357000	O-RING	1	[1]
3	K001082	HANDLE	1	
4	8089000	OIL PLUG, O-RING ASSEMBLY	1	
5	K001059	POWER CORD, 230V, 25 FOOT CORD	1	
6	50980A0	1/2 INCH UNITIZED SEAL	1	[1]
7	2414000	280 SERIES STAMPING INLET	1	
8	8104200	#10 HILO X 5/8" STAINLESS STEEL SCREW	8	
9	8072000	#10 - 24 x 3/4" SCREW	4	
10	8092000	#10 - 24 x 3/8" SCREW	4	
11	206500B	VMF MOTOR COVER, BLACK	1	
12	2072000	SEALRING, SWITCH COVER	1	
13	K001012	VMF SWITCH	1	
14	K001069	VMF SWITCH COVER, BLACK	1	
15	2076000	VMF FLOAT ROD	1	
16	2522000	MOTOR, .5HP 230V	1	[1]
17	K001091	280 SERIES IMPELLER KIT	1	
18	25210A0	CAPACITOR	1	[1]
19	2362000	VMF FLOAT	1	[1]
20	K001050	VMF FLOAT AND ROD KIT	1	

PART NOTES:

[1] - Part requires factory authorized service. Contact Liberty Pumps at 1-800-543-2550

287HV-2 (B39)



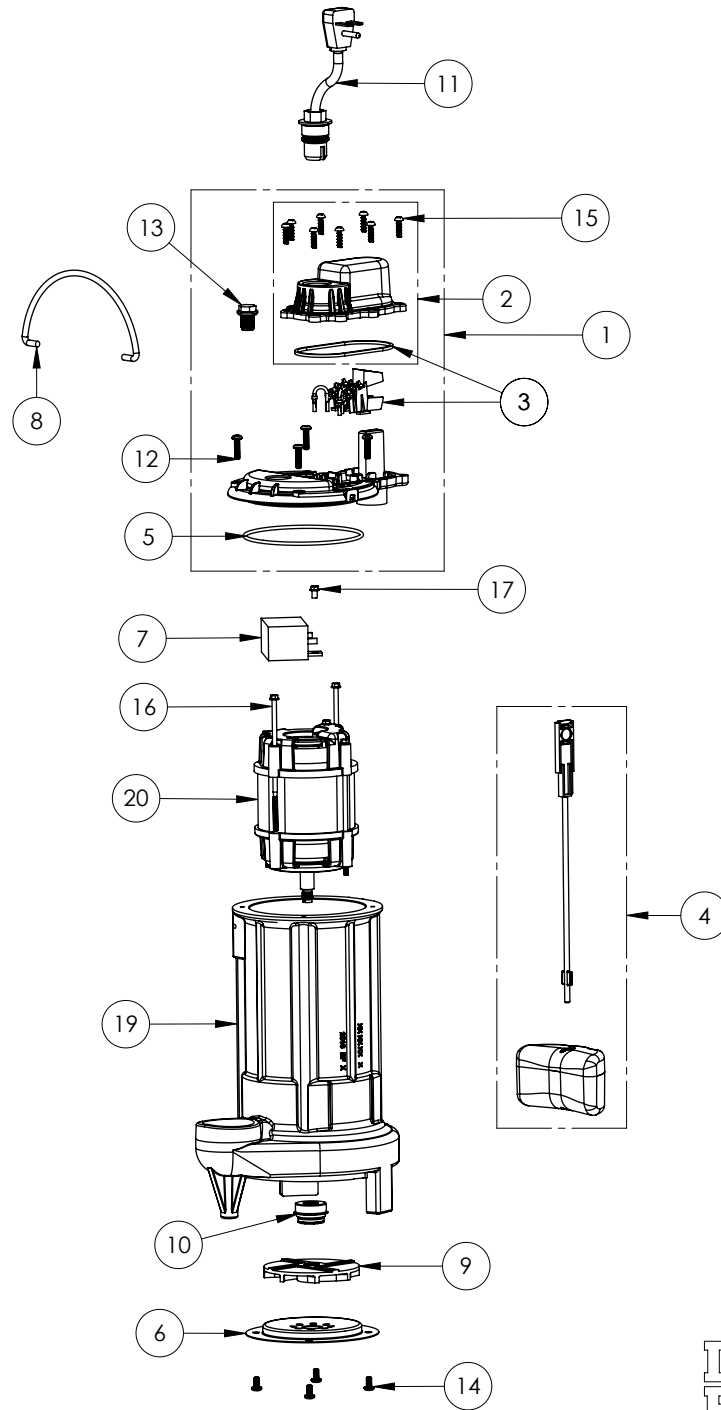
287HV-2**287HV-2 (B39)**

#	PART #	DESCRIPTION	QTY	Note
1	25162CJ	HOUSING	1	
2	2357000	O-RING	1	[1]
3	K001082	HANDLE	1	
4	8089000	OIL PLUG, O-RING ASSEMBLY	1	
5	K001059	POWER CORD, 230V, 25 FOOT CORD	1	
6	50980A0	1/2 INCH UNITIZED SEAL	1	[1]
7	2414000	280 SERIES STAMPING INLET	1	
8	8104200	#10 HILO X 5/8" STAINLESS STEEL SCREW	8	
9	8072000	#10 - 24 x 3/4" SCREW	4	
10	8092000	#10 - 24 x 3/8" SCREW	4	
11	206500B	VMF MOTOR COVER, BLACK	1	
12	2072000	SEALRING, SWITCH COVER	1	
13	K001012	VMF SWITCH	1	
14	K001069	VMF SWITCH COVER, BLACK	1	
15	2076000	VMF FLOAT ROD	1	
16	2424200	MOTOR, .5HP 230V	1	[1]
17	K001091	280 SERIES IMPELLER KIT	1	
18	2455000	CAPACITOR	1	[1]
19	2362000	VMF FLOAT	1	[1]
20	K001050	VMF FLOAT AND ROD KIT	1	

PART NOTES:

[1] - Part requires factory authorized service. Contact Liberty Pumps at 1-800-543-2550

287HV-2 (B59)



287HV-2**287HV-2 (B59)**

#	PART #	DESCRIPTION	QTY	Note
1	K001332	VMF MOTOR COVER KIT	1	
2	K001329	VMF SWITCH COVER KIT	1	
3	K001330	VMF SWITCH AND SEALRING KIT	1	
4	K001050	VMF FLOAT AND ROD KIT	1	
5	2357000	O-RING	1	[1]
6	2414000	280 SERIES STAMPING INLET	1	
7	2455000	CAPACITOR	1	[1]
8	K001082	HANDLE	1	
9	K001091	280 SERIES IMPELLER KIT	1	
10	50980A0	1/2 INCH UNITIZED SEAL	1	[1]
11	K001059	POWER CORD, 230V, 25 FOOT CORD	1	
12	8072000	#10 - 24 x 3/4" SCREW	4	
13	8089000	OIL PLUG, O-RING ASSEMBLY	1	
14	8092000	#10 - 24 x 3/8" SCREW	4	
15	8104200	#10 HILO X 5/8" STAINLESS STEEL SCREW	8	
16	8150000	#8-32 x 4-7/8" SCREW	2	[1]
17	8160000	CAPACITOR SCREW	1	[1]
19	25162CJ	HOUSING	1	
20	2424200	MOTOR, .5HP 230V	1	[1]

PART NOTES:

[1] - Part requires factory authorized service. Contact Liberty Pumps at 1-800-543-2550