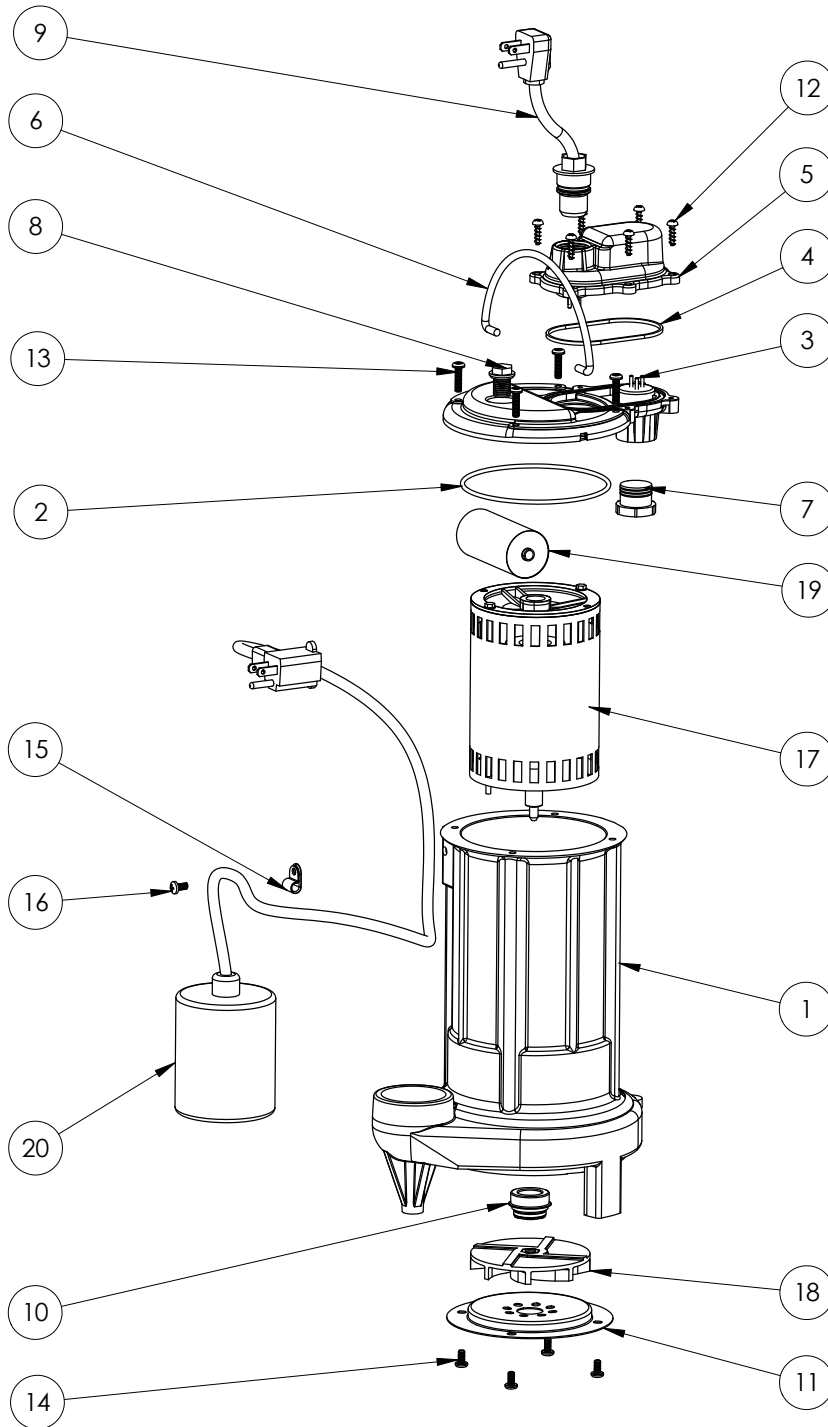


283HV (B10)



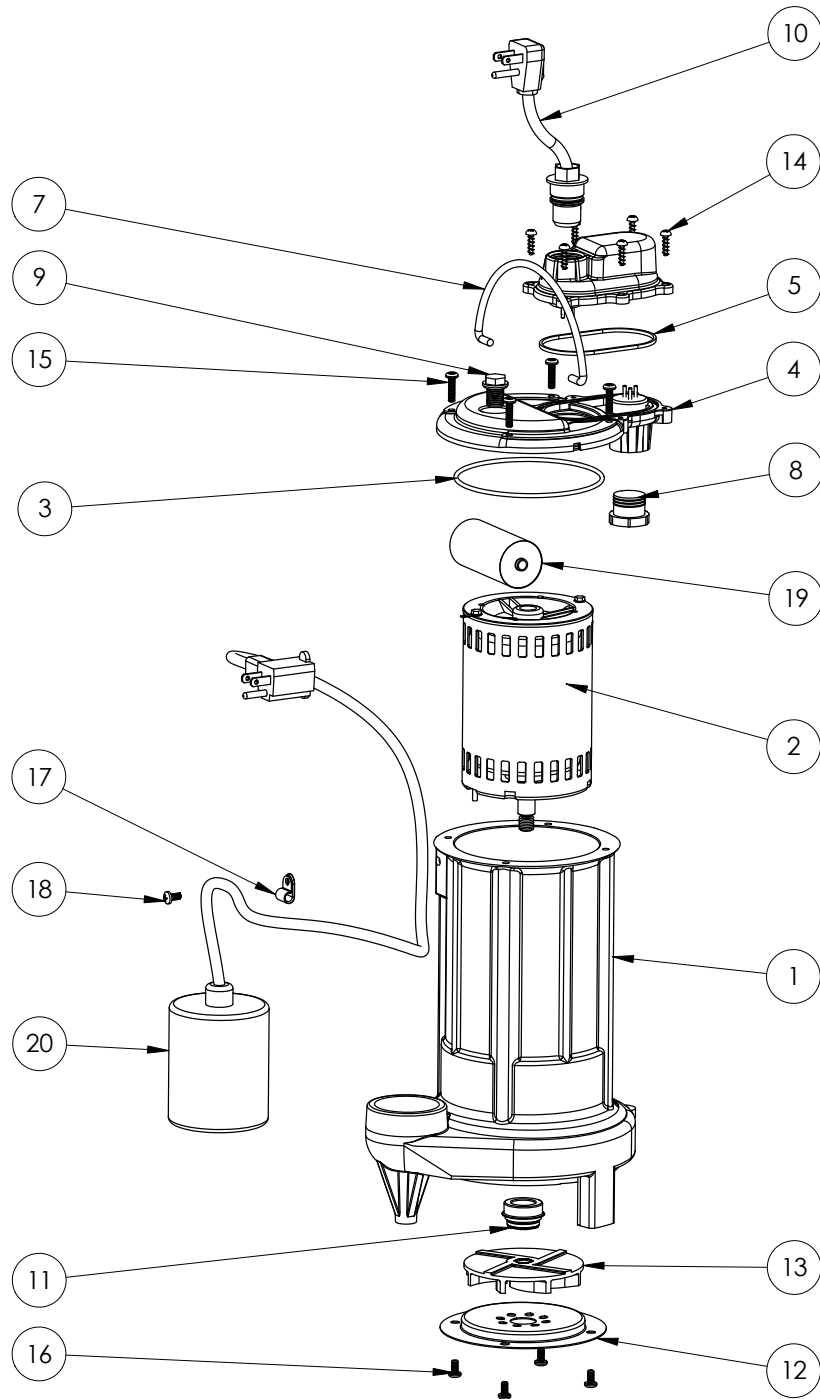
283HV**283HV (B10)**

#	PART #	DESCRIPTION	QTY	Note
1	25160AG	CAST IRON HOUSING WITH HOLE	1	
2	2357000	O-RING	1	[1]
3	240600G	MOTOR COVER, GREY	1	
4	K001046	SEALRING, CHAMBER COVER	1	
5	240700G	CHAMBER COVER, GREY	1	
6	K001082	HANDLE	1	
7	8105000	PROTECTIVE CAP	1	
8	8089000	OIL PLUG, O-RING ASSEMBLY	1	
9	K001058	POWER CORD, 10FT. 230V	1	
10	5098000	1/2 INCH UNITIZED SEAL	1	
11	2414000	280 SERIES STAMPING INLET	1	
12	8104200	#10 HILO X 5/8" STAINLESS STEEL SCREW	6	
13	8072000	#10 - 24 x 3/4" SCREW	4	
14	8092000	#10 - 24 x 3/8" SCREW	4	
15	8014000	CABLE CLAMP	1	
16	8082000	#10-24 x 3/8 EPOXY LOCK SCREW	1	
17	2522000	MOTOR, .5HP 230V	1	[1]
18	K001091	280 SERIES IMPELLER KIT	1	
19	2521000	CAPACITOR	1	
20	K001019	61140A0 PUMP SWITCH, 10' 230V, INCLUDES MOUNTING HARDWARE	1	

PART NOTES:

[1] - Part requires factory authorized service. Contact Liberty Pumps at 1-800-543-2550

283HV (B11)



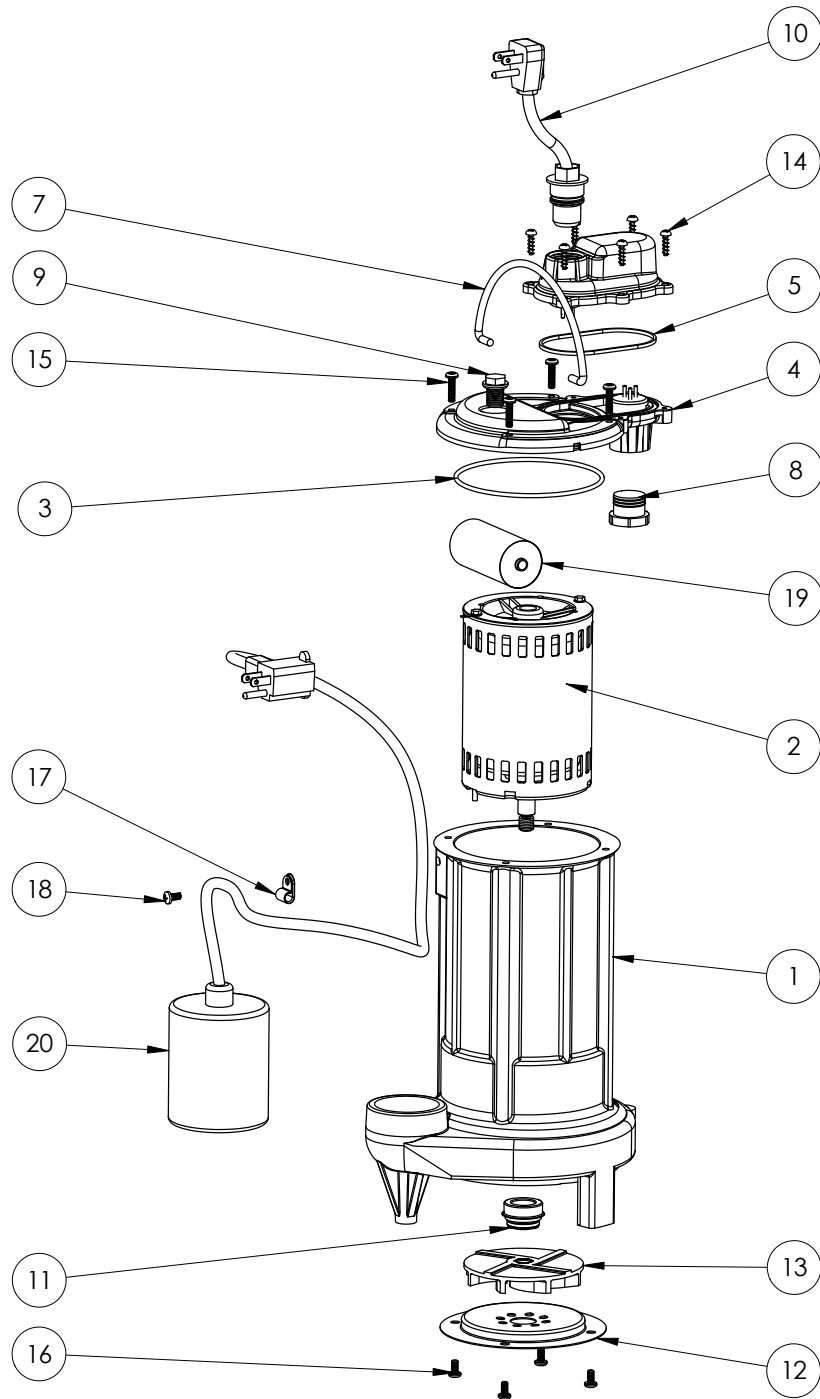
283HV**283HV (B11)**

#	PART #	DESCRIPTION	QTY	Note
1	25160AG	CAST IRON HOUSING WITH HOLE	1	
2	2522000	MOTOR, .5HP 230V	1	[1]
3	2357000	O-RING	1	[1]
4	240600G	MOTOR COVER, GREY	1	
5	K001046	SEALRING, CHAMBER COVER	1	
6	240700G	CHAMBER COVER, GREY	1	
7	K001082	HANDLE	1	
8	8105000	PROTECTIVE CAP	1	
9	8089000	OIL PLUG, O-RING ASSEMBLY	1	
10	K001058	POWER CORD, 10FT. 230V	1	
11	5098000	1/2 INCH UNITIZED SEAL	1	
12	2414000	280 SERIES STAMPING INLET	1	
13	K001091	280 SERIES IMPELLER KIT	1	
14	8104200	#10 HILO X 5/8" STAINLESS STEEL SCREW	6	
15	8072000	#10 - 24 x 3/4" SCREW	4	
16	8092000	#10 - 24 x 3/8" SCREW	4	
17	8014000	CABLE CLAMP	1	
18	8082000	#10-24 x 3/8 EPOXY LOCK SCREW	1	
19	2521000	CAPACITOR	1	
20	K001019	61140A0 PUMP SWITCH, 10' 230V, INCLUDES MOUNTING HARDWARE	1	

PART NOTES:

[1] - Part requires factory authorized service. Contact Liberty Pumps at 1-800-543-2550

283HV (B20)



283HV**283HV (B20)**

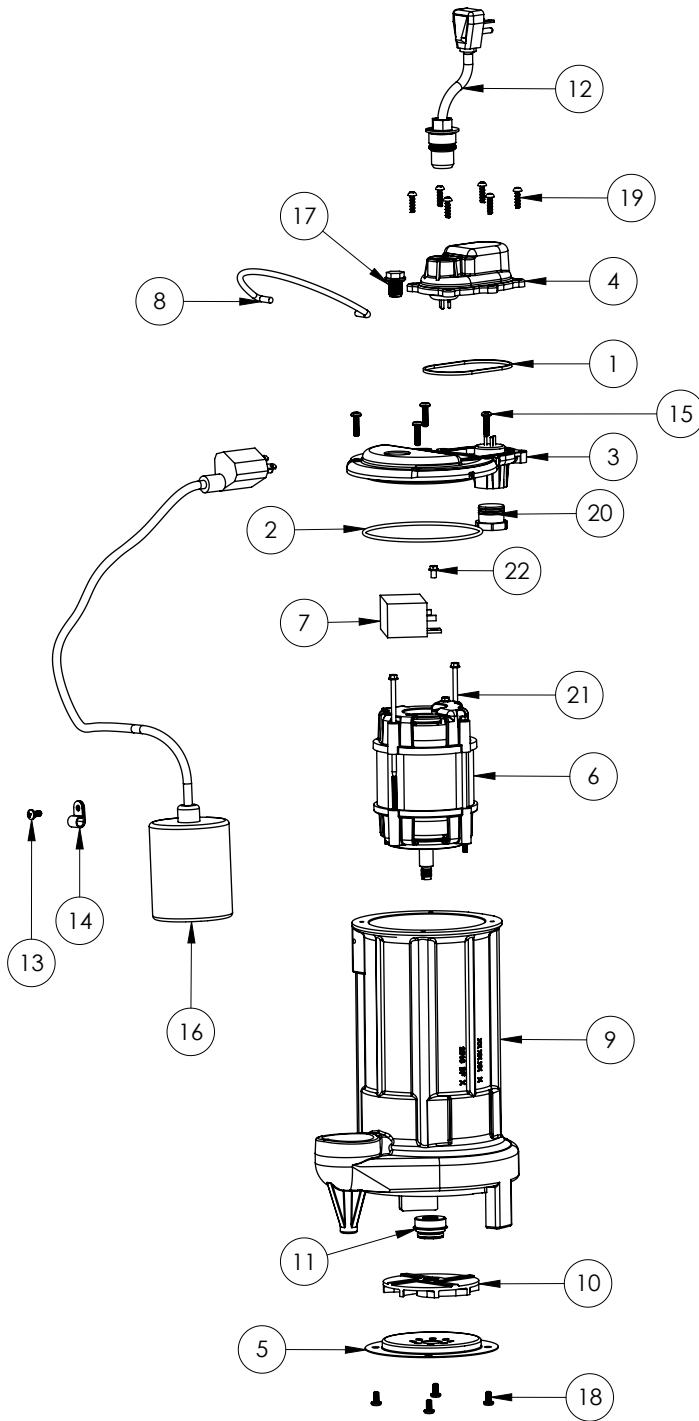
#	PART #	DESCRIPTION	QTY	Note
1	25160AG	CAST IRON HOUSING WITH HOLE	1	
2	2522000	MOTOR, .5HP 230V	1	[1]
3	2357000	O-RING	1	[1]
4	240600G	MOTOR COVER, GREY	1	
5	K001046	SEALRING, CHAMBER COVER	1	
6	240700G	CHAMBER COVER, GREY	1	
7	K001082	HANDLE	1	
8	8105000	PROTECTIVE CAP	1	
9	8089000	OIL PLUG, O-RING ASSEMBLY	1	
10	K001058	POWER CORD, 10FT. 230V	1	
11	50980A0	1/2 INCH UNITIZED SEAL	1	[1]
12	2414000	280 SERIES STAMPING INLET	1	
13	K001091	280 SERIES IMPELLER KIT	1	
14	8104200	#10 HILO X 5/8" STAINLESS STEEL SCREW	6	
15	8072000	#10 - 24 x 3/4" SCREW	4	
16	8092000	#10 - 24 x 3/8" SCREW	4	
17	8014000	CABLE CLAMP	1	
18	8082000	#10-24 x 3/8 EPOXY LOCK SCREW	1	
19	2521000	CAPACITOR	1	
20	K001019	61140A0 PUMP SWITCH, 10' 230V, INCLUDES MOUNTING HARDWARE	1	

PART NOTES:

[1] - Part requires factory authorized service. Contact Liberty Pumps at 1-800-543-2550

283HV

283HV (B39)



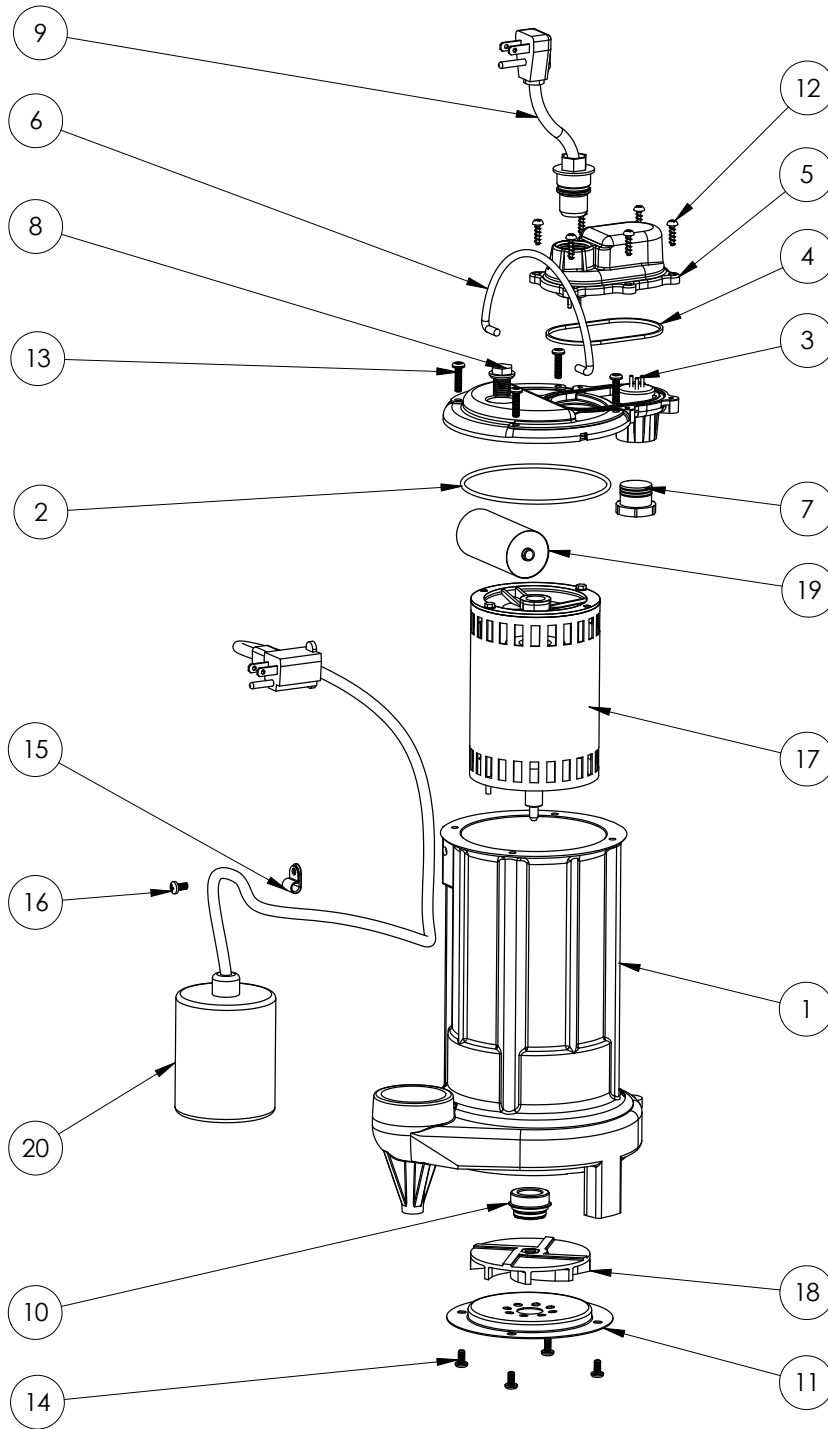
283HV**283HV (B39)**

#	PART #	DESCRIPTION	QTY	Note
1	K001046	SEALRING, CHAMBER COVER	1	
2	2357000	O-RING	1	[1]
3	240600B	MOTOR COVER	1	
4	240700B	CHAMBER COVER	1	
5	2414000	280 SERIES STAMPING INLET	1	
6	2424200	MOTOR, .5HP 230V	1	[1]
7	2455000	CAPACITOR	1	[1]
8	K001082	HANDLE	1	
9	25162CJ	HOUSING	1	
10	K001091	280 SERIES IMPELLER KIT	1	
11	50980A0	1/2 INCH UNITIZED SEAL	1	[1]
12	K001058	POWER CORD, 10FT. 230V	1	
13	8082000	#10-24 x 3/8 EPOXY LOCK SCREW	1	
14	8014000	CABLE CLAMP	1	
15	8072000	#10 - 24 x 3/4" SCREW	4	
16	K001019	61140A0 PUMP SWITCH, 10' 230V, INCLUDES MOUNTING HARDWARE	1	
17	8089000	OIL PLUG, O-RING ASSEMBLY	1	
18	8092000	#10 - 24 x 3/8" SCREW	4	
19	8104200	#10 HILO X 5/8" STAINLESS STEEL SCREW	6	
20	8105000	PROTECTIVE CAP	1	
21	8150000	#8-32 x 4-7/8" SCREW	2	[1]
22	8160000	CAPACITOR SCREW	1	[1]

PART NOTES:

[1] - Part requires factory authorized service. Contact Liberty Pumps at 1-800-543-2550

283HV-2 (B10)



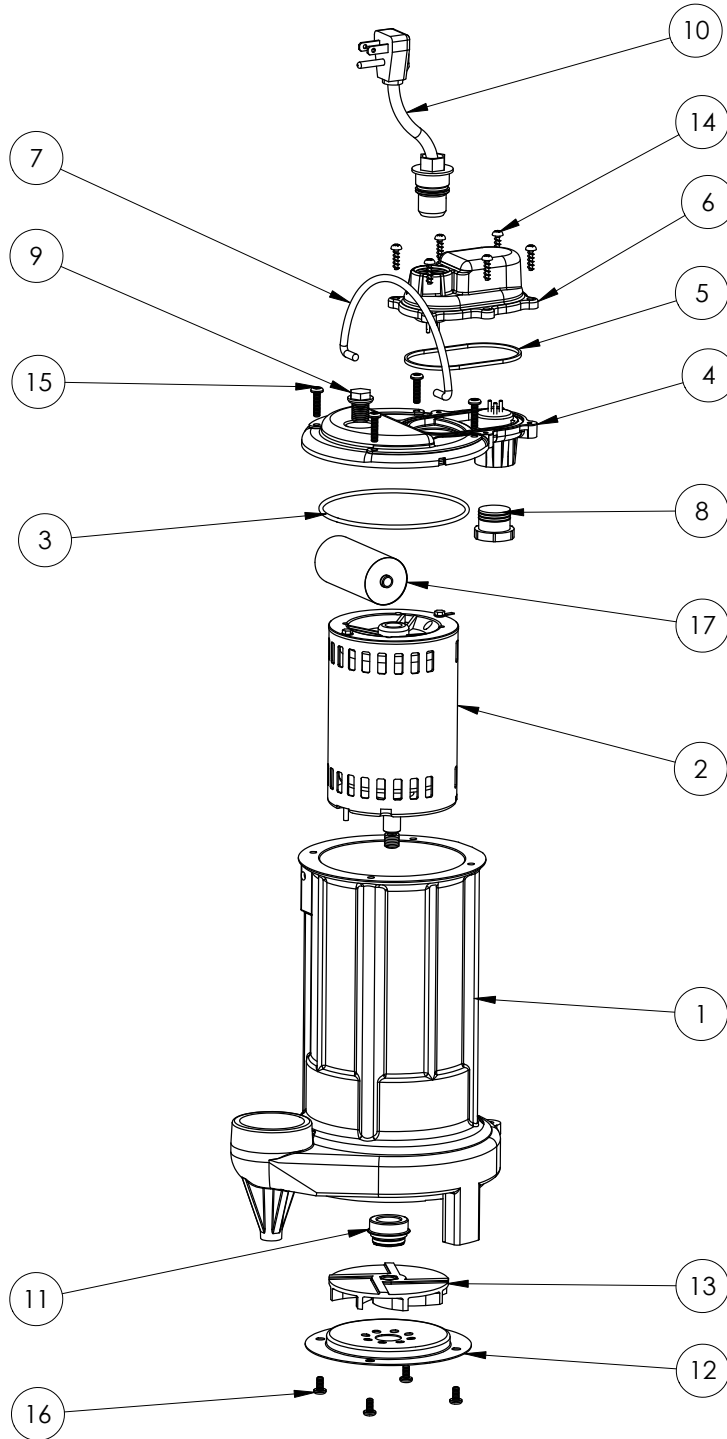
283HV-2**283HV-2 (B10)**

#	PART #	DESCRIPTION	QTY	Note
1	25160AG	CAST IRON HOUSING WITH HOLE	1	
2	2357000	O-RING	1	[1]
3	240600G	MOTOR COVER, GREY	1	
4	K001046	SEALRING, CHAMBER COVER	1	
5	240700G	CHAMBER COVER, GREY	1	
6	K001082	HANDLE	1	
7	8105000	PROTECTIVE CAP	1	
8	8089000	OIL PLUG, O-RING ASSEMBLY	1	
9	K001059	POWER CORD, 230V, 25 FOOT CORD	1	
10	5098000	1/2 INCH UNITIZED SEAL	1	
11	2414000	280 SERIES STAMPING INLET	1	
12	8104200	#10 HILO X 5/8" STAINLESS STEEL SCREW	6	
13	8072000	#10 - 24 x 3/4" SCREW	4	
14	8092000	#10 - 24 x 3/8" SCREW	4	
15	8014000	CABLE CLAMP	1	
16	8082000	#10-24 x 3/8 EPOXY LOCK SCREW	1	
17	2522000	MOTOR, .5HP 230V	1	[1]
18	K001091	280 SERIES IMPELLER KIT	1	
19	2521000	CAPACITOR	1	
20	K001062	PUMP SWITCH, 25FT. INCLUDES MOUNTING HARDWARE	1	

PART NOTES:

[1] - Part requires factory authorized service. Contact Liberty Pumps at 1-800-543-2550

283HV-2 (B11)



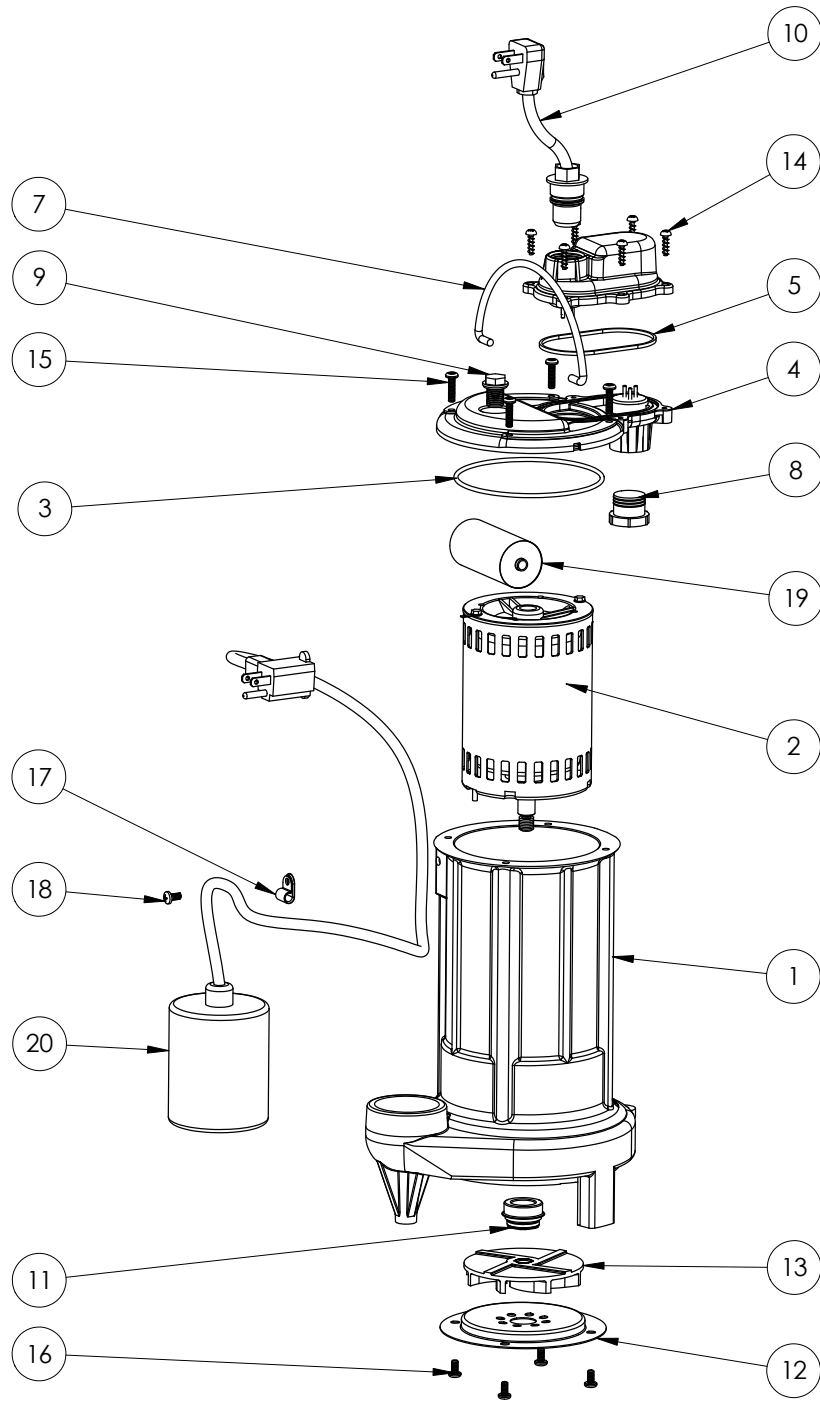
283HV-2**283HV-2 (B11)**

#	PART #	DESCRIPTION	QTY	Note
1	25160AG	CAST IRON HOUSING WITH HOLE	1	
2	2522000	MOTOR, .5HP 230V	1	[1]
3	2357000	O-RING	1	[1]
4	240600G	MOTOR COVER, GREY	1	
5	K001046	SEALRING, CHAMBER COVER	1	
6	240700G	CHAMBER COVER, GREY	1	
7	K001082	HANDLE	1	
8	8105000	PROTECTIVE CAP	1	
9	8089000	OIL PLUG, O-RING ASSEMBLY	1	
10	K001059	POWER CORD, 230V, 25 FOOT CORD	1	
11	5098000	1/2 INCH UNITIZED SEAL	1	
12	2414000	280 SERIES STAMPING INLET	1	
13	K001091	280 SERIES IMPELLER KIT	1	
14	8104200	#10 HILO X 5/8" STAINLESS STEEL SCREW	6	
15	8072000	#10 - 24 x 3/4" SCREW	4	
16	8092000	#10 - 24 x 3/8" SCREW	4	
17	2521000	CAPACITOR	1	

PART NOTES:

[1] - Part requires factory authorized service. Contact Liberty Pumps at 1-800-543-2550

283HV-2 (B20)



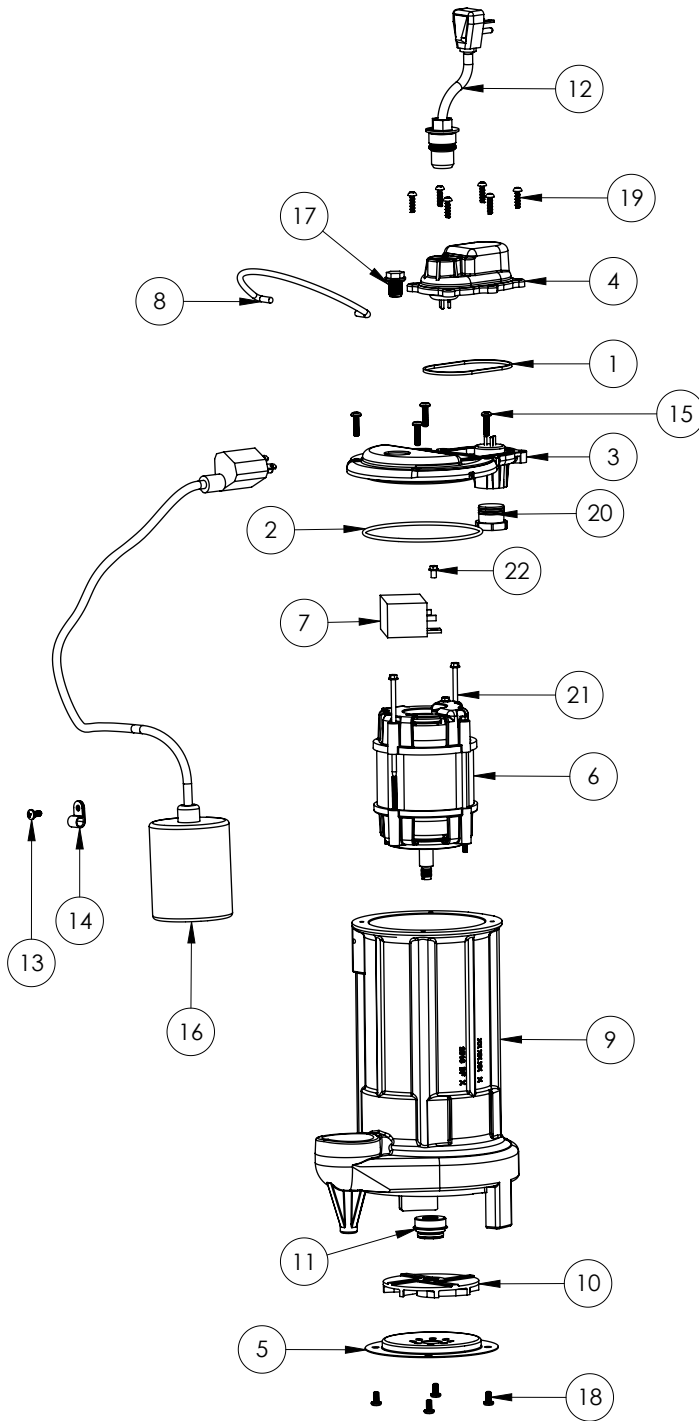
283HV-2**283HV-2 (B20)**

#	PART #	DESCRIPTION	QTY	Note
1	25160AG	CAST IRON HOUSING WITH HOLE	1	
2	2522000	MOTOR, .5HP 230V	1	[1]
3	2357000	O-RING	1	[1]
4	240600G	MOTOR COVER, GREY	1	
5	K001046	SEALRING, CHAMBER COVER	1	
6	240700G	CHAMBER COVER, GREY	1	
7	K001082	HANDLE	1	
8	8105000	PROTECTIVE CAP	1	
9	8089000	OIL PLUG, O-RING ASSEMBLY	1	
10	K001059	POWER CORD, 230V, 25 FOOT CORD	1	
11	50980A0	1/2 INCH UNITIZED SEAL	1	[1]
12	2414000	280 SERIES STAMPING INLET	1	
13	K001091	280 SERIES IMPELLER KIT	1	
14	8104200	#10 HILO X 5/8" STAINLESS STEEL SCREW	6	
15	8072000	#10 - 24 x 3/4" SCREW	4	
16	8092000	#10 - 24 x 3/8" SCREW	4	
17	8014000	CABLE CLAMP	1	
18	8082000	#10-24 x 3/8 EPOXY LOCK SCREW	1	
19	2521000	CAPACITOR	1	
20	K001062	PUMP SWITCH, 25FT. INCLUDES MOUNTING HARDWARE	1	

PART NOTES:

[1] - Part requires factory authorized service. Contact Liberty Pumps at 1-800-543-2550

283HV-2 (B39)



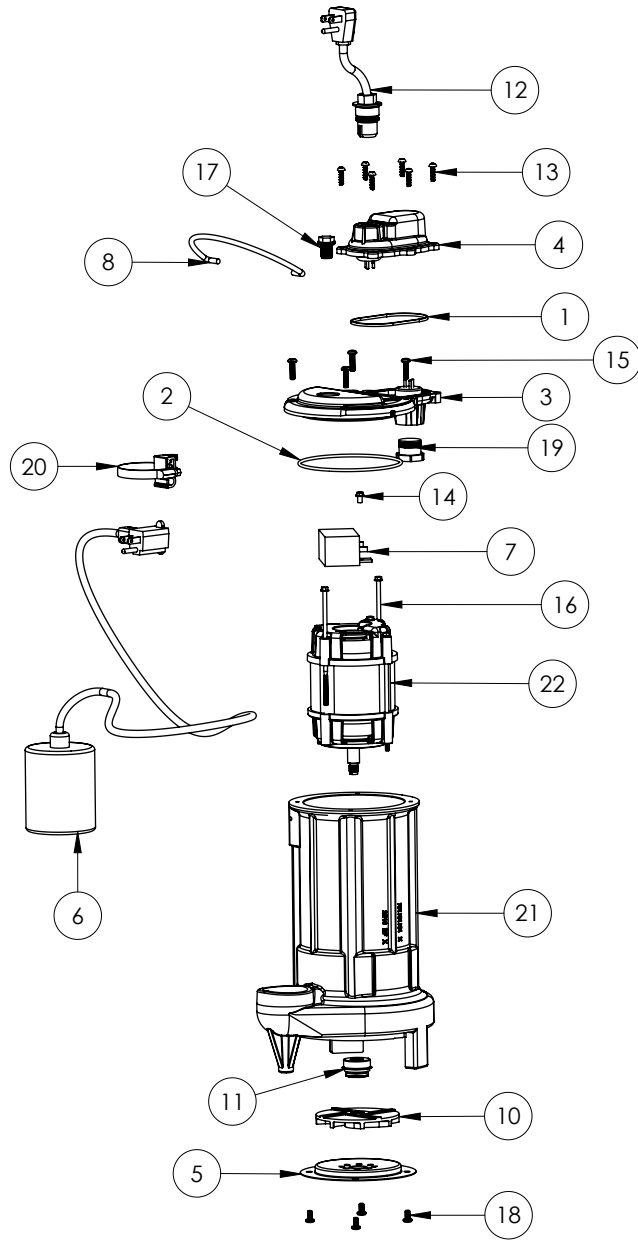
283HV-2**283HV-2 (B39)**

#	PART #	DESCRIPTION	QTY	Note
1	K001046	SEALRING, CHAMBER COVER	1	
2	2357000	O-RING	1	[1]
3	240600B	MOTOR COVER	1	
4	240700B	CHAMBER COVER	1	
5	2414000	280 SERIES STAMPING INLET	1	
6	2424200	MOTOR, .5HP 230V	1	[1]
7	2455000	CAPACITOR	1	[1]
8	K001082	HANDLE	1	
9	25162CJ	HOUSING	1	
10	K001091	280 SERIES IMPELLER KIT	1	
11	50980A0	1/2 INCH UNITIZED SEAL	1	[1]
12	K001059	POWER CORD, 230V, 25 FOOT CORD	1	
13	8082000	#10-24 x 3/8 EPOXY LOCK SCREW	1	
14	8014000	CABLE CLAMP	1	
15	8072000	#10 - 24 x 3/4" SCREW	4	
16	K001431	61140B0 PUMP SWITCH, 25' 230V	1	
17	8089000	OIL PLUG, O-RING ASSEMBLY	1	
18	8092000	#10 - 24 x 3/8" SCREW	4	
19	8104200	#10 HILO X 5/8" STAINLESS STEEL SCREW	6	
20	8105000	PROTECTIVE CAP	1	
21	8150000	#8-32 x 4-7/8" SCREW	2	[1]
22	8160000	CAPACITOR SCREW	1	[1]

PART NOTES:

[1] - Part requires factory authorized service. Contact Liberty Pumps at 1-800-543-2550

283HV-2X (B39)



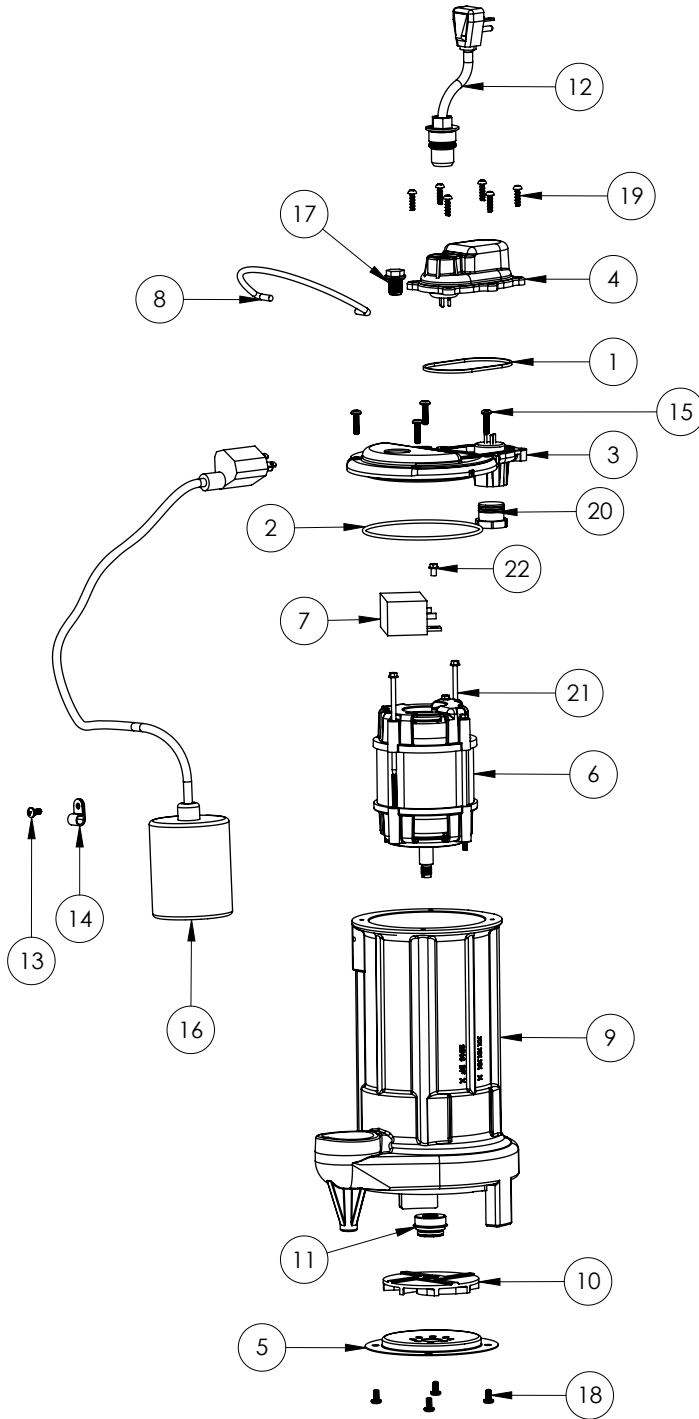
283HV-2X**283HV-2X (B39)**

#	PART #	DESCRIPTION	QTY	Note
1	K001046	SEALRING, CHAMBER COVER	1	
2	2357000	O-RING	1	[1]
3	240600B	MOTOR COVER	1	
4	240700B	CHAMBER COVER	1	
5	2414000	280 SERIES STAMPING INLET	1	
6	K001062	PUMP SWITCH, 25FT. INCLUDES MOUNTING HARDWARE	1	
7	2455000	CAPACITOR	1	[1]
8	K001082	HANDLE	1	
10	K001091	280 SERIES IMPELLER KIT	1	
11	50980A0	1/2 INCH UNITIZED SEAL	1	[1]
12	K001059	POWER CORD, 230V, 25 FOOT CORD	1	
15	8072000	#10 - 24 x 3/4" SCREW	4	
13	8104200	#10 HILO X 5/8" STAINLESS STEEL SCREW	6	
14	8160000	CAPACITOR SCREW	1	[1]
17	8089000	OIL PLUG, O-RING ASSEMBLY	1	
16	8150000	#8-32 x 4-7/8" SCREW	2	[1]
18	8092000	#10 - 24 x 3/8" SCREW	4	
19	8105000	PROTECTIVE CAP	1	
20	5870000	SWITCH CLAMP	1	
21	25162CJ	HOUSING	1	
22	2424200	MOTOR, .5HP 230V	1	[1]

PART NOTES:

[1] - Part requires factory authorized service. Contact Liberty Pumps at 1-800-543-2550

283HV-3 (B39)



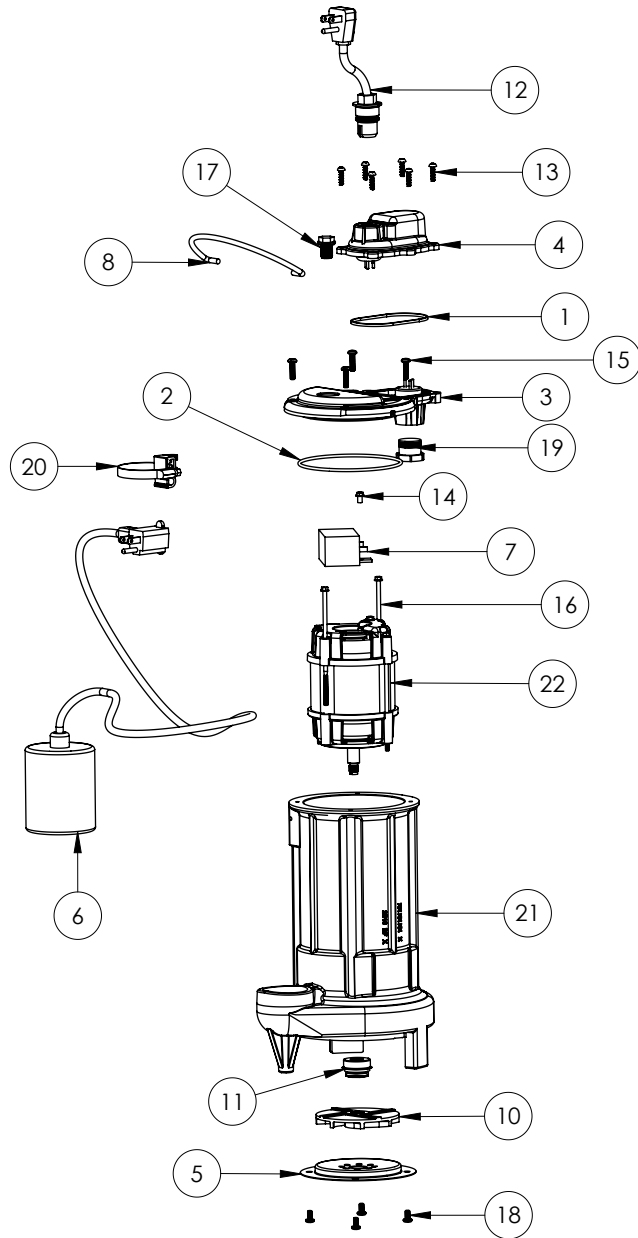
283HV-3**283HV-3 (B39)**

#	PART #	DESCRIPTION	QTY	Note
1	K001046	SEALRING, CHAMBER COVER	1	
2	2357000	O-RING	1	[1]
3	240600B	MOTOR COVER	1	
4	240700B	CHAMBER COVER	1	
5	2414000	280 SERIES STAMPING INLET	1	
6	2424200	MOTOR, .5HP 230V	1	[1]
7	2455000	CAPACITOR	1	[1]
8	K001082	HANDLE	1	
9	25162CJ	HOUSING	1	
10	K001091	280 SERIES IMPELLER KIT	1	
11	50980A0	1/2 INCH UNITIZED SEAL	1	[1]
12	K001344	POWER CORD, 35FT.	1	
13	8082000	#10-24 x 3/8 EPOXY LOCK SCREW	1	
14	8014000	CABLE CLAMP	1	
15	8072000	#10 - 24 x 3/4" SCREW	4	
16	K001348	PUMP SWITCH, 35FT.	1	
17	8089000	OIL PLUG, O-RING ASSEMBLY	1	
18	8092000	#10 - 24 x 3/8" SCREW	4	
19	8104200	#10 HILO X 5/8" STAINLESS STEEL SCREW	6	
20	8105000	PROTECTIVE CAP	1	
21	8150000	#8-32 x 4-7/8" SCREW	2	[1]
22	8160000	CAPACITOR SCREW	1	[1]

PART NOTES:

[1] - Part requires factory authorized service. Contact Liberty Pumps at 1-800-543-2550

283HV-3X (B39)



283HV-3X**283HV-3X (B39)**

#	PART #	DESCRIPTION	QTY	Note
1	K001046	SEALRING, CHAMBER COVER	1	
2	2357000	O-RING	1	[1]
3	240600B	MOTOR COVER	1	
4	240700B	CHAMBER COVER	1	
5	2414000	280 SERIES STAMPING INLET	1	
6	61140C0	35' SWITCH, 230V N/O	1	
7	2455000	CAPACITOR	1	[1]
8	K001082	HANDLE	1	
10	K001091	280 SERIES IMPELLER KIT	1	
11	50980A0	1/2 INCH UNITIZED SEAL	1	[1]
12	K001344	POWER CORD, 35FT.	1	
13	8104200	#10 HILO X 5/8" STAINLESS STEEL SCREW	6	
14	8160000	CAPACITOR SCREW	1	[1]
15	8072000	#10 - 24 x 3/4" SCREW	4	
16	8150000	#8-32 x 4-7/8" SCREW	1	[1]
17	8089000	OIL PLUG, O-RING ASSEMBLY	1	
18	8092000	#10 - 24 x 3/8" SCREW	4	
19	8105000	PROTECTIVE CAP	1	
20	5870000	SWITCH CLAMP	1	
21	25162CJ	HOUSING	1	
22	2424200	MOTOR, .5HP 230V	1	[1]

PART NOTES:

[1] - Part requires factory authorized service. Contact Liberty Pumps at 1-800-543-2550