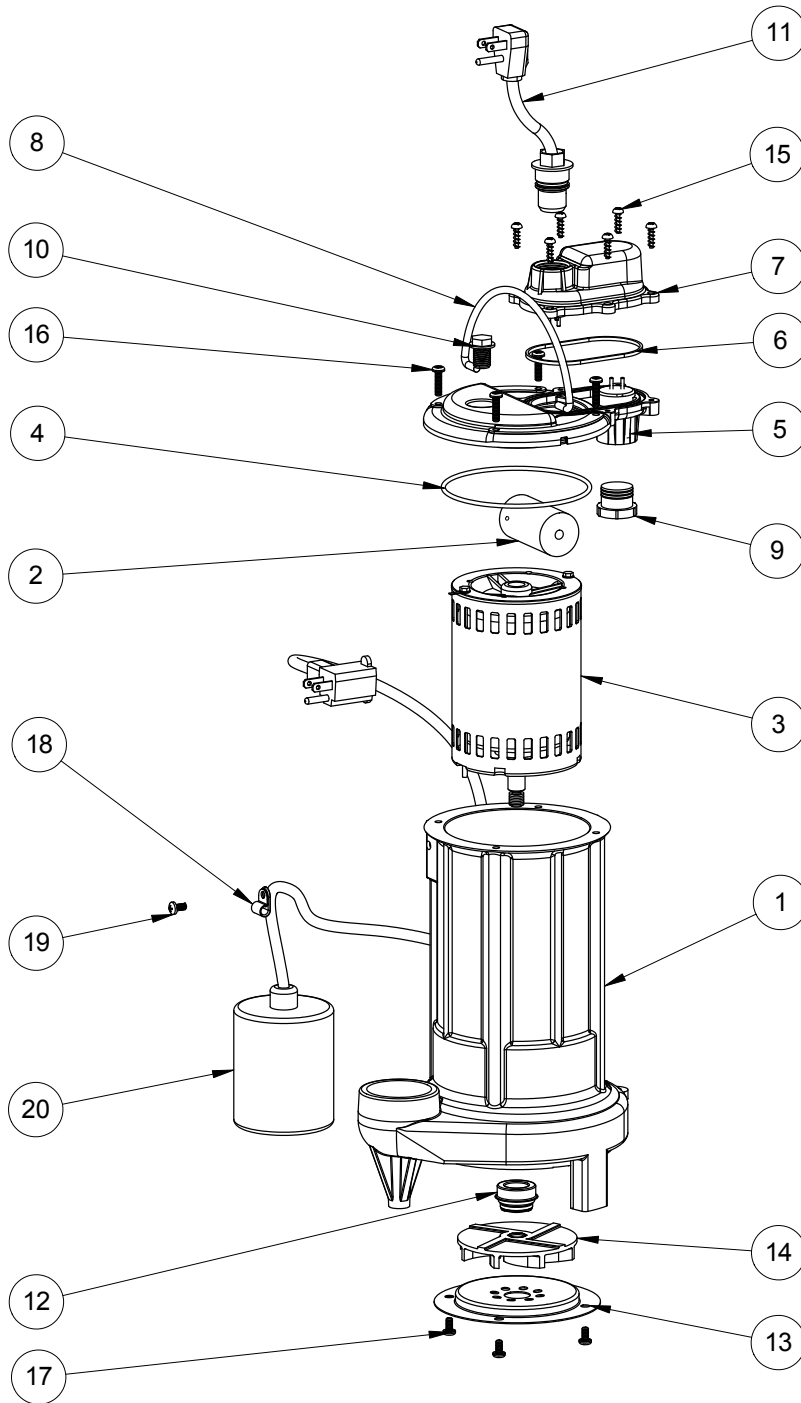


283 (B10)



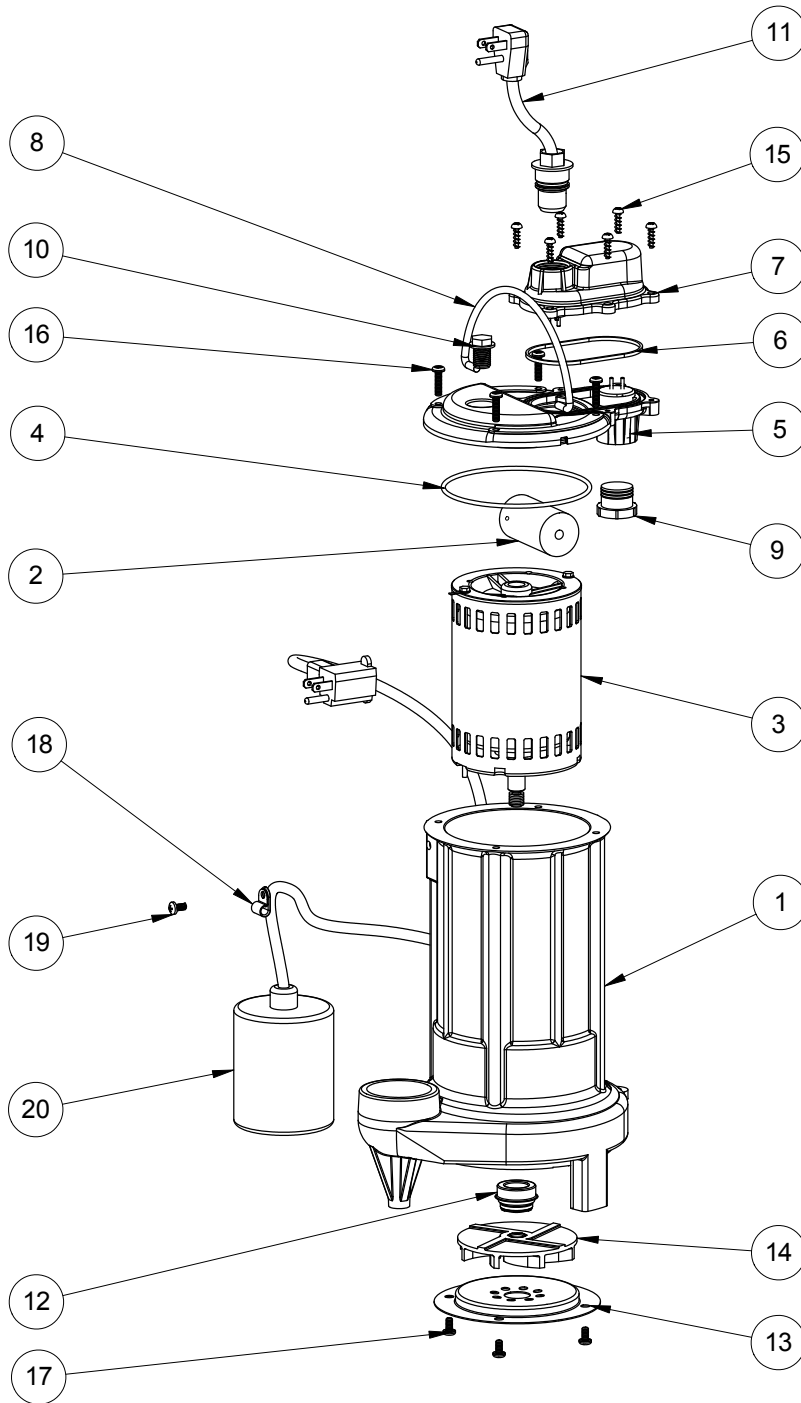
283 (B10)

#	PART #	DESCRIPTION	QTY	Note
1	25160AG	CAST IRON HOUSING WITH HOLE	1	
2	25200B0	CAPACITOR	1	[1]
3	2517000	MOTOR, .8 HP	1	
4	2357000	O-RING	1	[1]
5	240600G	MOTOR COVER, GREY	1	
6	K001046	SEALRING, CHAMBER COVER	1	
7	240700G	CHAMBER COVER, GREY	1	
8	K001082	HANDLE	1	
9	8105000	PROTECTIVE CAP	1	
10	8089000	OIL PLUG, O-RING ASSEMBLY	1	
11	K001010	POWER CORD, 115V, 10 FOOT CORD	1	
12	5098000	1/2 INCH UNITIZED SEAL	1	
13	2414000	280 SERIES STAMPING INLET	1	
14	K001091	280 SERIES IMPELLER KIT	1	
15	8104200	#10 HILO X 5/8" STAINLESS STEEL SCREW	6	
16	8072000	#10 - 24 x 3/4" SCREW	4	
17	8092000	#10 - 24 x 3/8" SCREW	4	
18	8014000	CABLE CLAMP	1	
19	8082000	#10-24 x 3/8 EPOXY LOCK SCREW	1	
20	K001170	PUMP SWITCH, 10FT.	1	

PART NOTES:

[1] - Part requires factory authorized service. Contact Liberty Pumps at 1-800-543-2550

283 (B20)



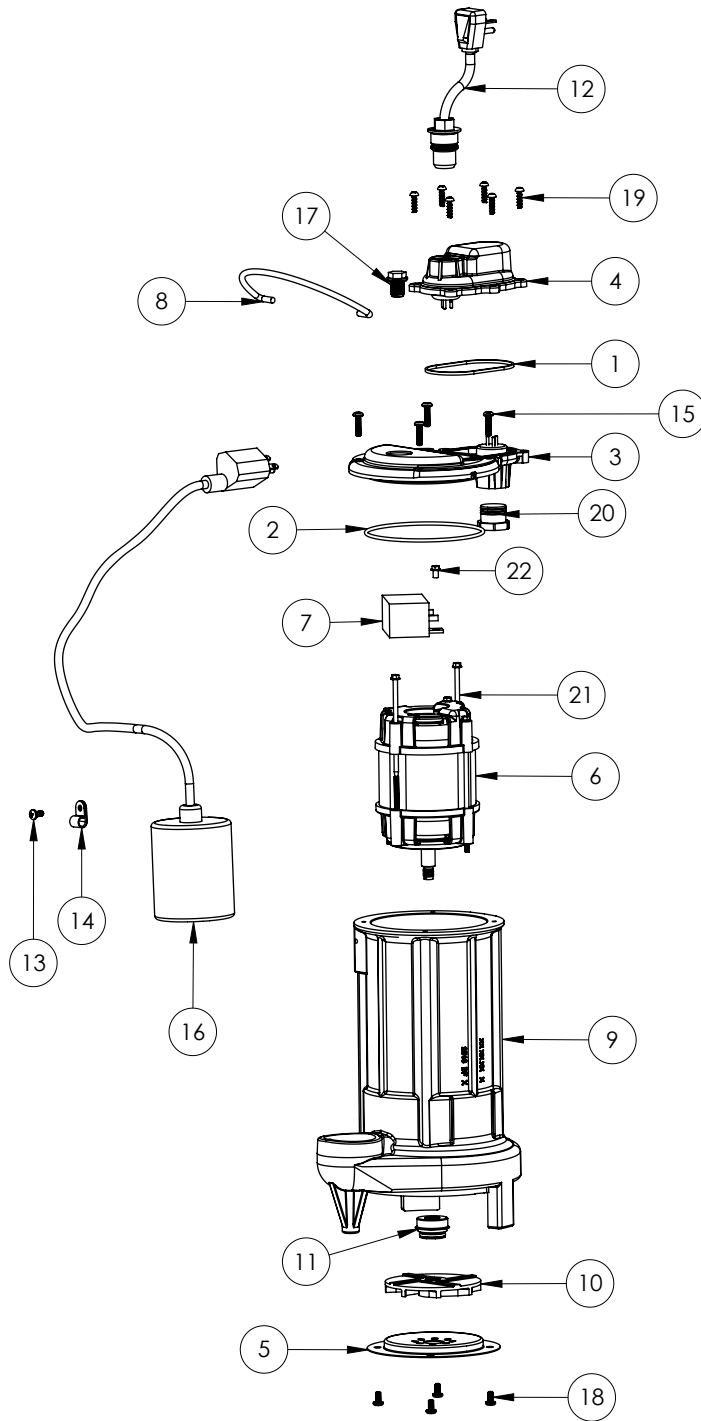
283 (B20)

#	PART #	DESCRIPTION	QTY	Note
1	25160AG	CAST IRON HOUSING WITH HOLE	1	
2	25200B0	CAPACITOR	1	[1]
3	2517000	MOTOR, .8 HP	1	
4	2357000	O-RING	1	[1]
5	240600G	MOTOR COVER, GREY	1	
6	K001046	SEALRING, CHAMBER COVER	1	
7	240700G	CHAMBER COVER, GREY	1	
8	K001082	HANDLE	1	
9	8105000	PROTECTIVE CAP	1	
10	8089000	OIL PLUG, O-RING ASSEMBLY	1	
11	K001010	POWER CORD, 115V, 10 FOOT CORD	1	
12	50980A0	1/2 INCH UNITIZED SEAL	1	[1]
13	2414000	280 SERIES STAMPING INLET	1	
14	K001091	280 SERIES IMPELLER KIT	1	
15	8104200	#10 HILO X 5/8" STAINLESS STEEL SCREW	6	
16	8072000	#10 - 24 x 3/4" SCREW	4	
17	8092000	#10 - 24 x 3/8" SCREW	4	
18	8014000	CABLE CLAMP	1	
19	8082000	#10-24 x 3/8 EPOXY LOCK SCREW	1	
20	K001170	PUMP SWITCH, 10FT.	1	

PART NOTES:

[1] - Part requires factory authorized service. Contact Liberty Pumps at 1-800-543-2550

283 (B39)



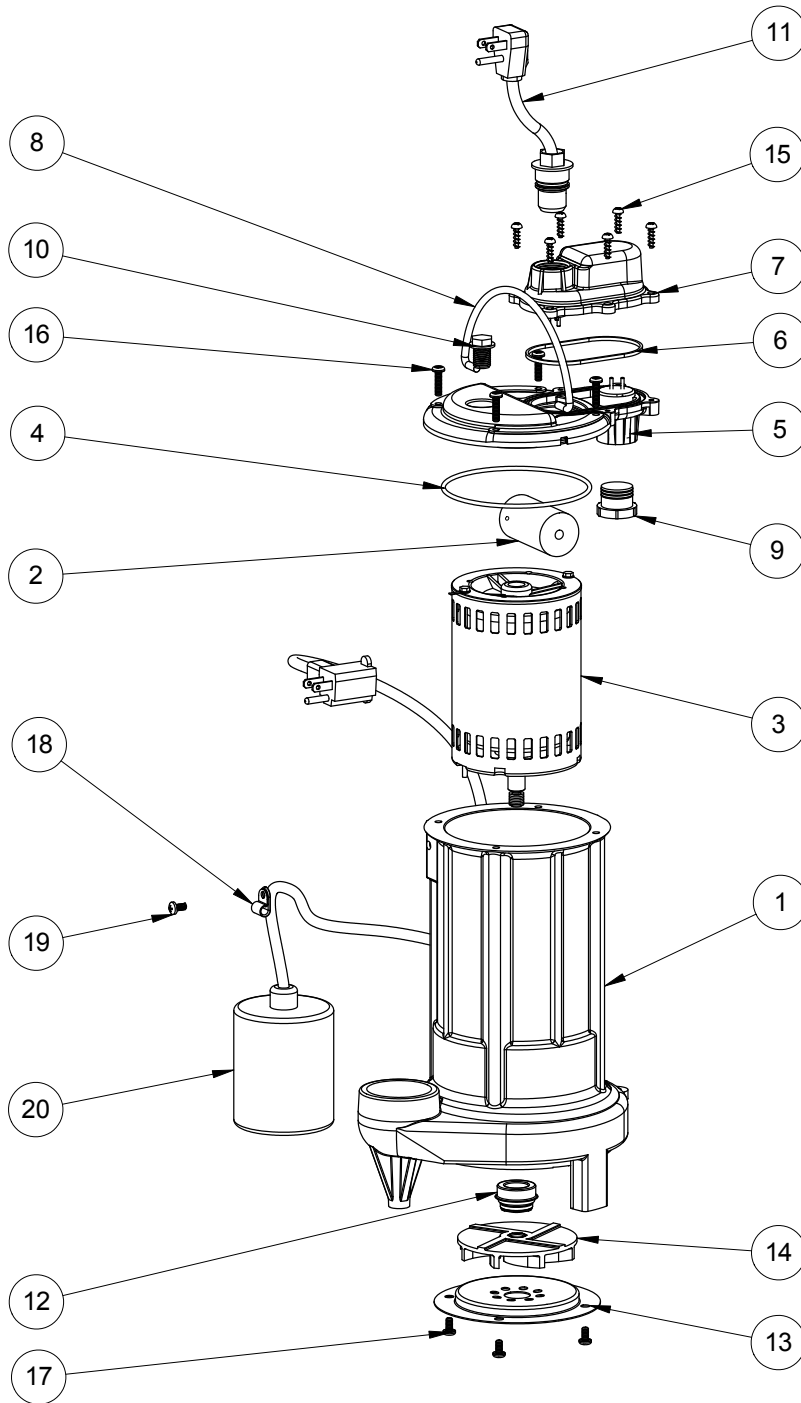
283 (B39)

#	PART #	DESCRIPTION	QTY	Note
1	K001046	SEALRING, CHAMBER COVER	1	
2	2357000	O-RING	1	[1]
3	240600B	MOTOR COVER	1	
4	240700B	CHAMBER COVER	1	
5	2414000	280 SERIES STAMPING INLET	1	
6	2420200	2 POLE 115V MOTOR	1	[1]
7	K001305	CAPACITOR	1	
8	K001082	HANDLE	1	
9	25162CJ	HOUSING	1	
10	K001091	280 SERIES IMPELLER KIT	1	
11	50980A0	1/2 INCH UNITIZED SEAL	1	[1]
12	K001010	POWER CORD, 115V, 10 FOOT CORD	1	
13	8082000	#10-24 x 3/8 EPOXY LOCK SCREW	1	
14	8014000	CABLE CLAMP	1	
15	8072000	#10 - 24 x 3/4" SCREW	4	
16	K001170	PUMP SWITCH, 10FT.	1	
17	8089000	OIL PLUG, O-RING ASSEMBLY	1	
18	8092000	#10 - 24 x 3/8" SCREW	4	
19	8104200	#10 HILO X 5/8" STAINLESS STEEL SCREW	6	
20	8105000	PROTECTIVE CAP	1	
21	8150000	#8-32 x 4-7/8" SCREW	2	[1]
22	8160000	CAPACITOR SCREW	1	[1]

PART NOTES:

[1] - Part requires factory authorized service. Contact Liberty Pumps at 1-800-543-2550

283-2 (B10)



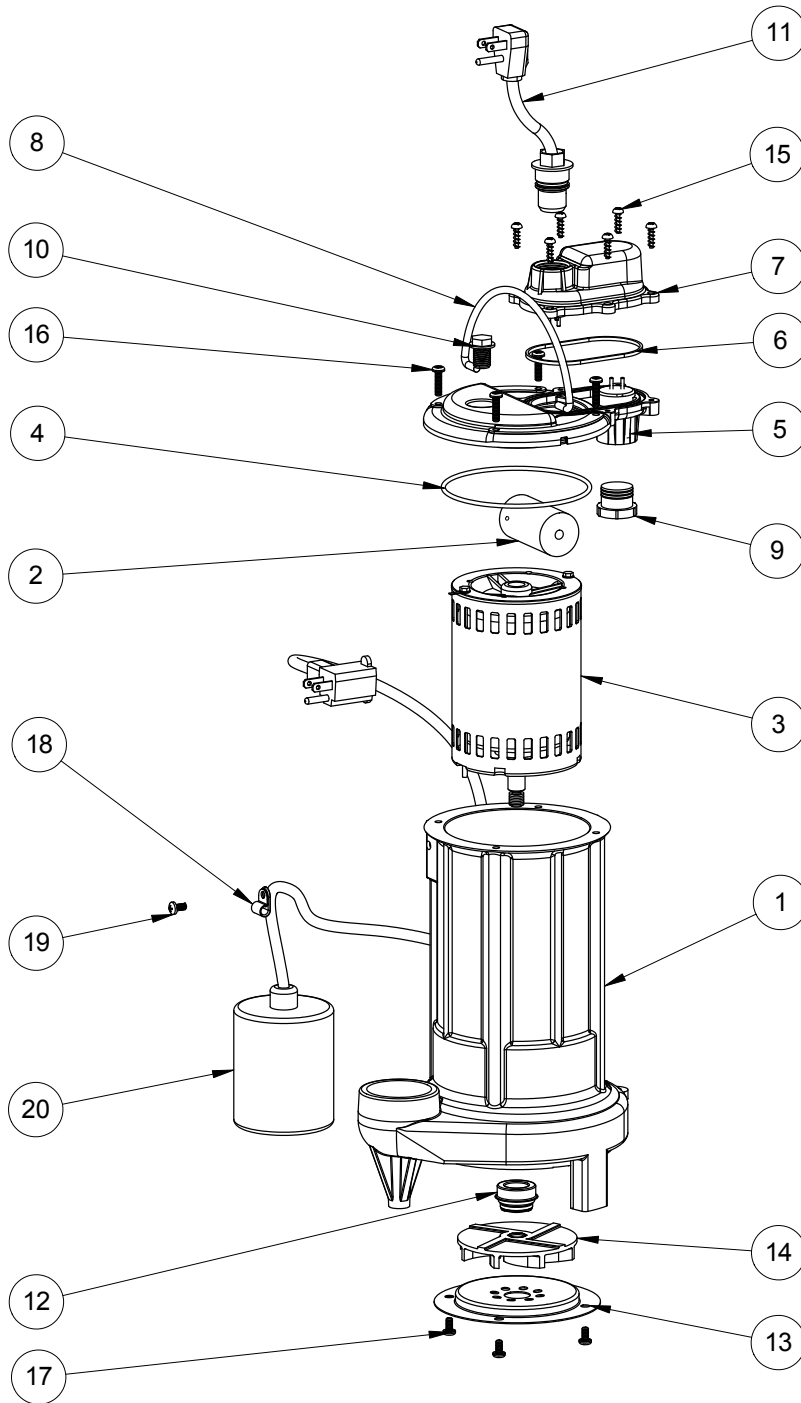
283-2 (B10)

#	PART #	DESCRIPTION	QTY	Note
1	25160AG	CAST IRON HOUSING WITH HOLE	1	
2	25200B0	CAPACITOR	1	[1]
3	2517000	MOTOR, .8 HP	1	
4	2357000	O-RING	1	[1]
5	240600G	MOTOR COVER, GREY	1	
6	K001046	SEALRING, CHAMBER COVER	1	
7	240700G	CHAMBER COVER, GREY	1	
8	K001082	HANDLE	1	
9	8105000	PROTECTIVE CAP	1	
10	8089000	OIL PLUG, O-RING ASSEMBLY	1	
11	K001008	POWER CORD, 115V, 25 FOOT CORD	1	
12	5098000	1/2 INCH UNITIZED SEAL	1	
13	2414000	280 SERIES STAMPING INLET	1	
14	K001091	280 SERIES IMPELLER KIT	1	
15	8104200	#10 HILO X 5/8" STAINLESS STEEL SCREW	6	
16	8072000	#10 - 24 x 3/4" SCREW	4	
17	8092000	#10 - 24 x 3/8" SCREW	4	
18	8014000	CABLE CLAMP	1	
19	8082000	#10-24 x 3/8 EPOXY LOCK SCREW	1	
20	K001119	PUMP SWITCH, 25FT.	1	

PART NOTES:

[1] - Part requires factory authorized service. Contact Liberty Pumps at 1-800-543-2550

283-2 (B20)



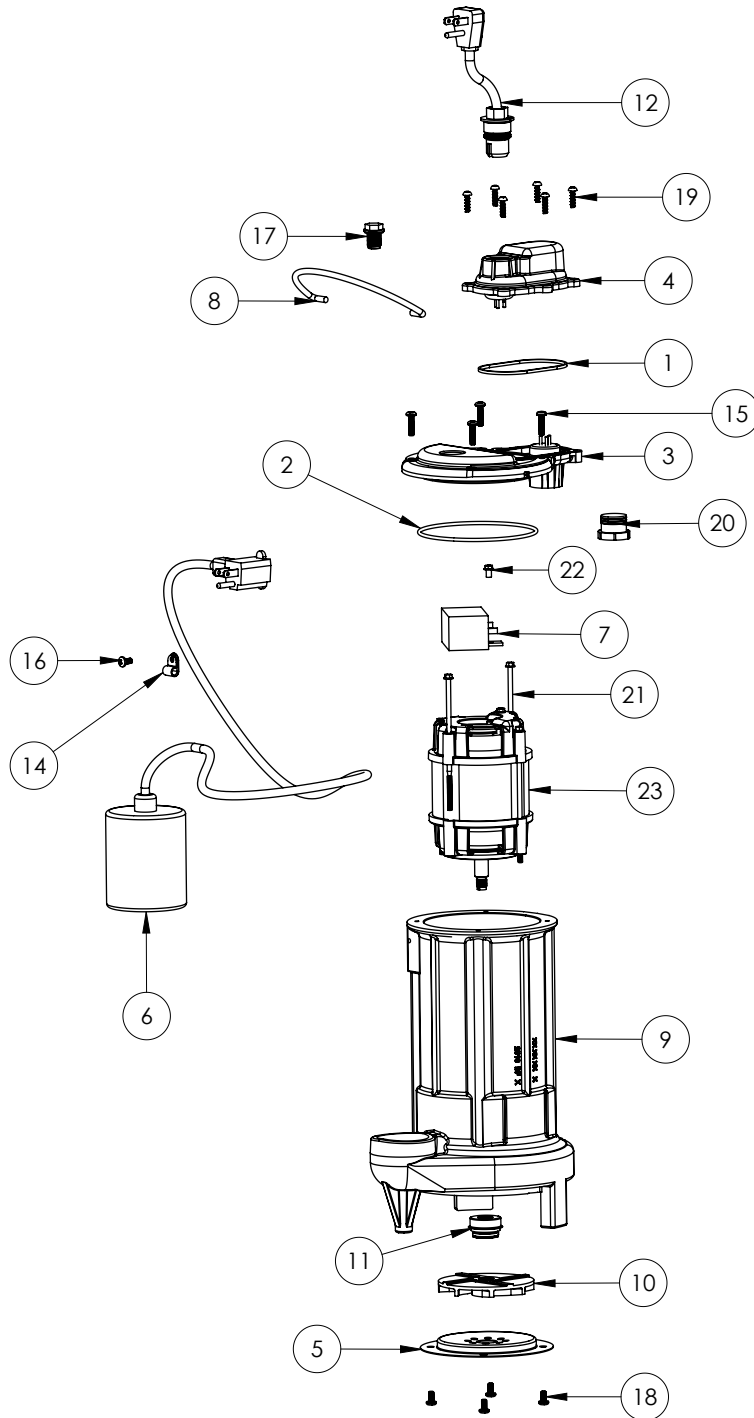
283-2 (B20)

#	PART #	DESCRIPTION	QTY	Note
1	25160AG	CAST IRON HOUSING WITH HOLE	1	
2	25200B0	CAPACITOR	1	[1]
3	2517000	MOTOR, .8 HP	1	
4	2357000	O-RING	1	[1]
5	240600G	MOTOR COVER, GREY	1	
6	K001046	SEALRING, CHAMBER COVER	1	
7	240700G	CHAMBER COVER, GREY	1	
8	K001082	HANDLE	1	
9	8105000	PROTECTIVE CAP	1	
10	8089000	OIL PLUG, O-RING ASSEMBLY	1	
11	K001008	POWER CORD, 115V, 25 FOOT CORD	1	
12	50980A0	1/2 INCH UNITIZED SEAL	1	[1]
13	2414000	280 SERIES STAMPING INLET	1	
14	K001091	280 SERIES IMPELLER KIT	1	
15	8104200	#10 HILO X 5/8" STAINLESS STEEL SCREW	6	
16	8072000	#10 - 24 x 3/4" SCREW	4	
17	8092000	#10 - 24 x 3/8" SCREW	4	
18	8014000	CABLE CLAMP	1	
19	8082000	#10-24 x 3/8 EPOXY LOCK SCREW	1	
20	K001119	PUMP SWITCH, 25FT.	1	

PART NOTES:

[1] - Part requires factory authorized service. Contact Liberty Pumps at 1-800-543-2550

283-2 (B39)



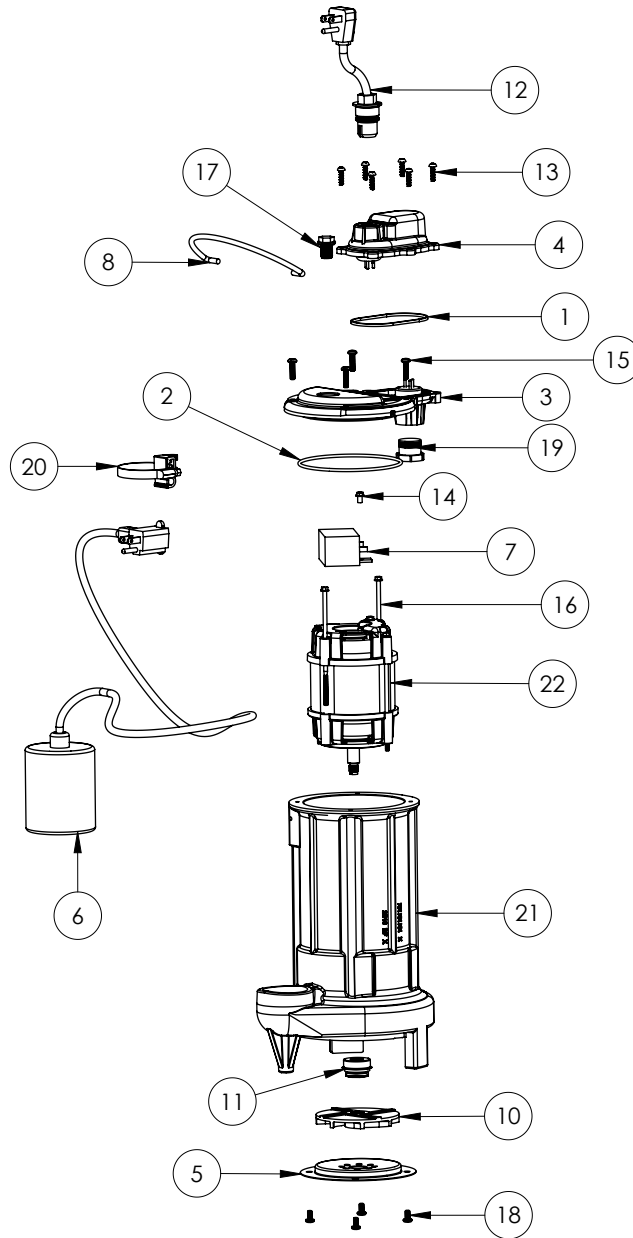
283-2 (B39)

#	PART #	DESCRIPTION	QTY	Note
1	K001046	SEALRING, CHAMBER COVER	1	
2	2357000	O-RING	1	[1]
3	240600B	MOTOR COVER	1	
4	240700B	CHAMBER COVER	1	
5	2414000	280 SERIES STAMPING INLET	1	
6	K001004	61130B0, 25' PUMP SWITCH KIT	1	
7	K001305	CAPACITOR	1	
8	K001082	HANDLE	1	
9	25162CJ	HOUSING	1	
10	K001091	280 SERIES IMPELLER KIT	1	
11	50980A0	1/2 INCH UNITIZED SEAL	1	[1]
12	K001008	POWER CORD, 115V, 25 FOOT CORD	1	
14	8014000	CABLE CLAMP	1	
15	8072000	#10 - 24 x 3/4" SCREW	4	
16	8082000	#10-24 x 3/8 EPOXY LOCK SCREW	1	
17	8089000	OIL PLUG, O-RING ASSEMBLY	1	
18	8092000	#10 - 24 x 3/8" SCREW	4	
19	8104200	#10 HILO X 5/8" STAINLESS STEEL SCREW	6	
20	8105000	PROTECTIVE CAP	1	
21	8150000	#8-32 x 4-7/8" SCREW	2	[1]
22	8160000	CAPACITOR SCREW	1	[1]
23	2420200	2 POLE 115V MOTOR	1	[1]

PART NOTES:

[1] - Part requires factory authorized service. Contact Liberty Pumps at 1-800-543-2550

283-2X (B39)



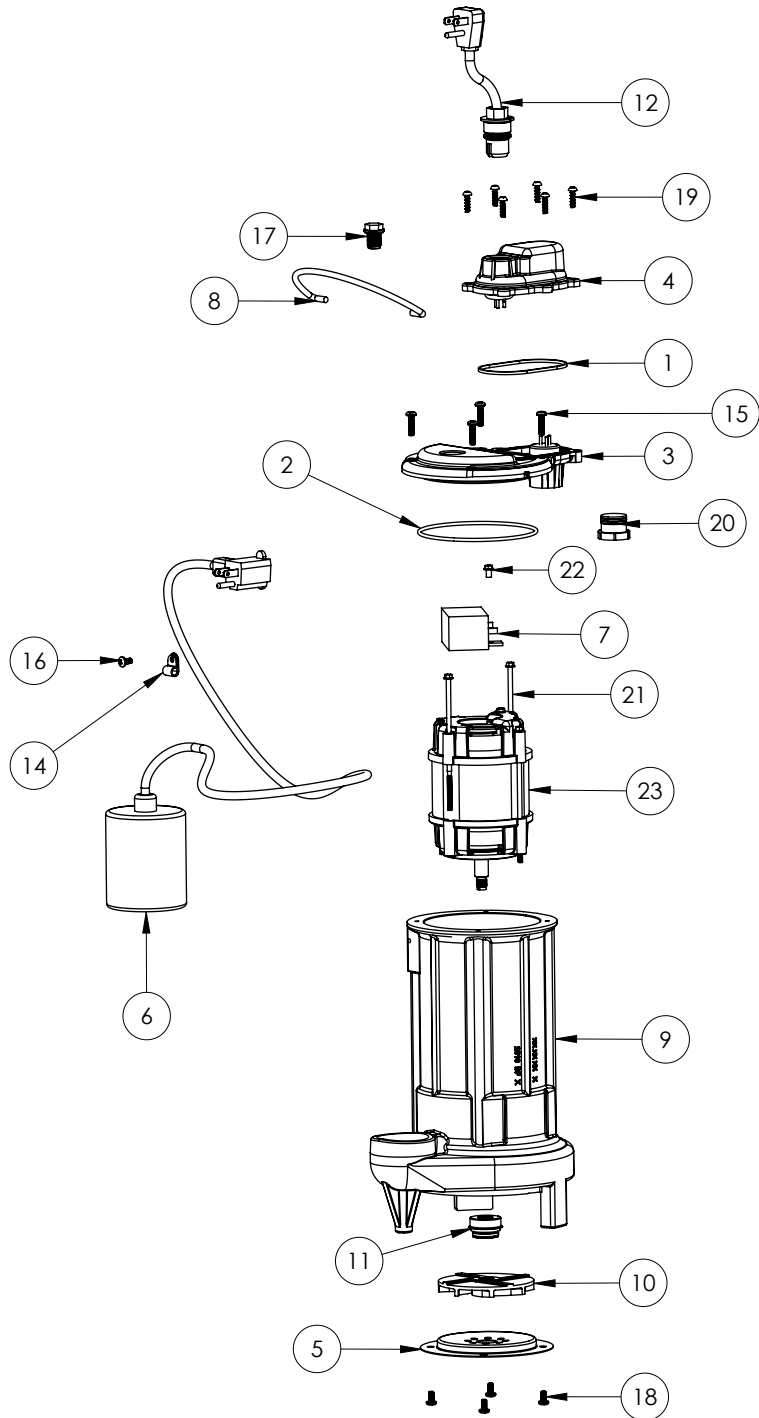
283-2X (B39)

#	PART #	DESCRIPTION	QTY	Note
1	K001046	SEALRING, CHAMBER COVER	1	
2	2357000	O-RING	1	[1]
3	240600B	MOTOR COVER	1	
4	240700B	CHAMBER COVER	1	
5	2414000	280 SERIES STAMPING INLET	1	
6	K001119	PUMP SWITCH, 25FT.	1	
7	K001305	CAPACITOR	1	
8	K001082	HANDLE	1	
10	K001091	280 SERIES IMPELLER KIT	1	
11	50980A0	1/2 INCH UNITIZED SEAL	1	[1]
12	K001008	POWER CORD, 115V, 25 FOOT CORD	1	
13	8104200	#10 HILO X 5/8" STAINLESS STEEL SCREW	4	
14	8160000	CAPACITOR SCREW	1	[1]
15	8072000	#10 - 24 x 3/4" SCREW	1	
16	8150000	#8-32 x 4-7/8" SCREW	2	[1]
17	8089000	OIL PLUG, O-RING ASSEMBLY	1	
18	8092000	#10 - 24 x 3/8" SCREW	4	
19	8105000	PROTECTIVE CAP	1	
20	5870000	SWITCH CLAMP	1	
21	25162CJ	HOUSING	1	
22	2420200	2 POLE 115V MOTOR	1	[1]

PART NOTES:

[1] - Part requires factory authorized service. Contact Liberty Pumps at 1-800-543-2550

283-3 (B39)



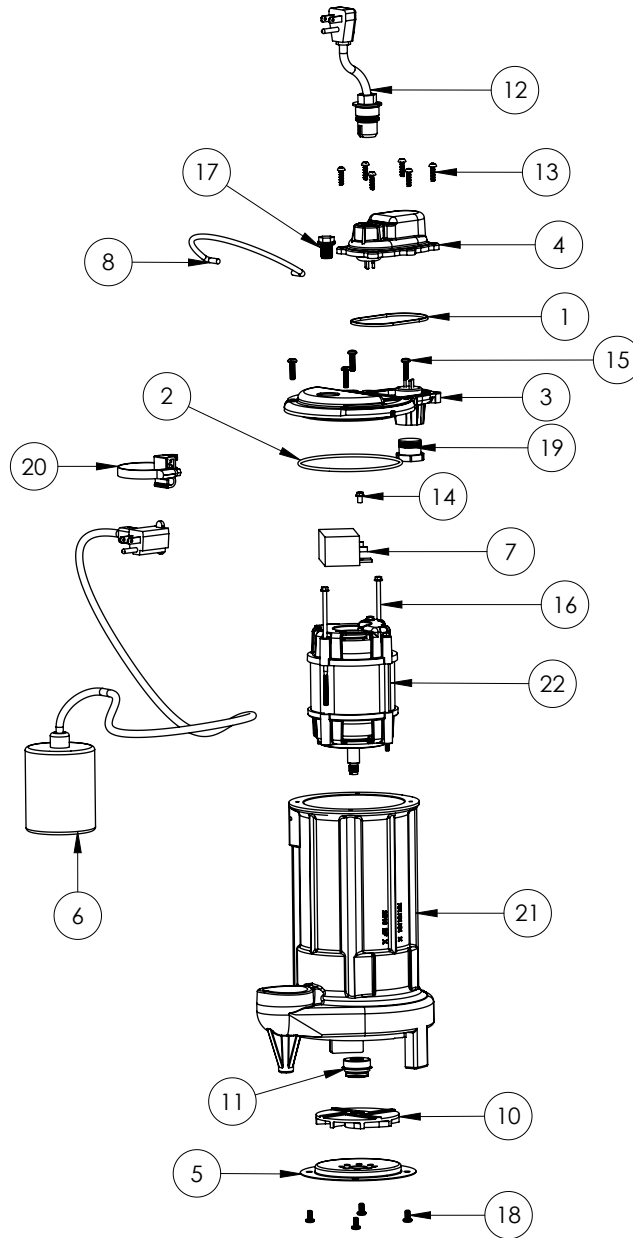
283-3 (B39)

#	PART #	DESCRIPTION	QTY	Note
1	K001046	SEALRING, CHAMBER COVER	1	
2	2357000	O-RING	1	[1]
3	240600B	MOTOR COVER	1	
4	240700B	CHAMBER COVER	1	
5	2414000	280 SERIES STAMPING INLET	1	
6	K001347	PUMP SWITCH, 35FT.	1	
7	K001305	CAPACITOR	1	
8	K001082	HANDLE	1	
9	25162CJ	HOUSING	1	
10	K001091	280 SERIES IMPELLER KIT	1	
11	50980A0	1/2 INCH UNITIZED SEAL	1	[1]
12	K001346	POWER CORD, 35FT.	1	
14	8014000	CABLE CLAMP	1	
15	8072000	#10 - 24 x 3/4" SCREW	4	
16	8082000	#10-24 x 3/8 EPOXY LOCK SCREW	1	
17	8089000	OIL PLUG, O-RING ASSEMBLY	1	
18	8092000	#10 - 24 x 3/8" SCREW	4	
19	8104200	#10 HILO X 5/8" STAINLESS STEEL SCREW	6	
20	8105000	PROTECTIVE CAP	1	
21	8150000	#8-32 x 4-7/8" SCREW	2	[1]
22	8160000	CAPACITOR SCREW	1	[1]
23	2420200	2 POLE 115V MOTOR	1	[1]

PART NOTES:

[1] - Part requires factory authorized service. Contact Liberty Pumps at 1-800-543-2550

283-3X (B39)



283-3X (B39)

#	PART #	DESCRIPTION	QTY	Note
1	K001046	SEALRING, CHAMBER COVER	1	
2	2357000	O-RING	1	[1]
3	240600B	MOTOR COVER	1	
4	240700B	CHAMBER COVER	1	
5	2414000	280 SERIES STAMPING INLET	1	
6	61130C0	35' SW. FLOAT 115V N/O	1	
7	K001305	CAPACITOR	1	
8	K001082	HANDLE	1	
10	K001091	280 SERIES IMPELLER KIT	1	
11	50980A0	1/2 INCH UNITIZED SEAL	1	[1]
12	K001346	POWER CORD, 35FT.	1	
13	8104200	#10 HILO X 5/8" STAINLESS STEEL SCREW	6	
14	8160000	CAPACITOR SCREW	4	[1]
15	8072000	#10 - 24 x 3/4" SCREW	4	
16	8150000	#8-32 x 4-7/8" SCREW	2	[1]
17	8089000	OIL PLUG, O-RING ASSEMBLY	1	
18	8092000	#10 - 24 x 3/8" SCREW	1	
20	5870000	SWITCH CLAMP	1	
19	8105000	PROTECTIVE CAP	1	
21	25162CJ	HOUSING	1	
22	2424200	MOTOR, .5HP 230V	1	[1]

PART NOTES:

[1] - Part requires factory authorized service. Contact Liberty Pumps at 1-800-543-2550