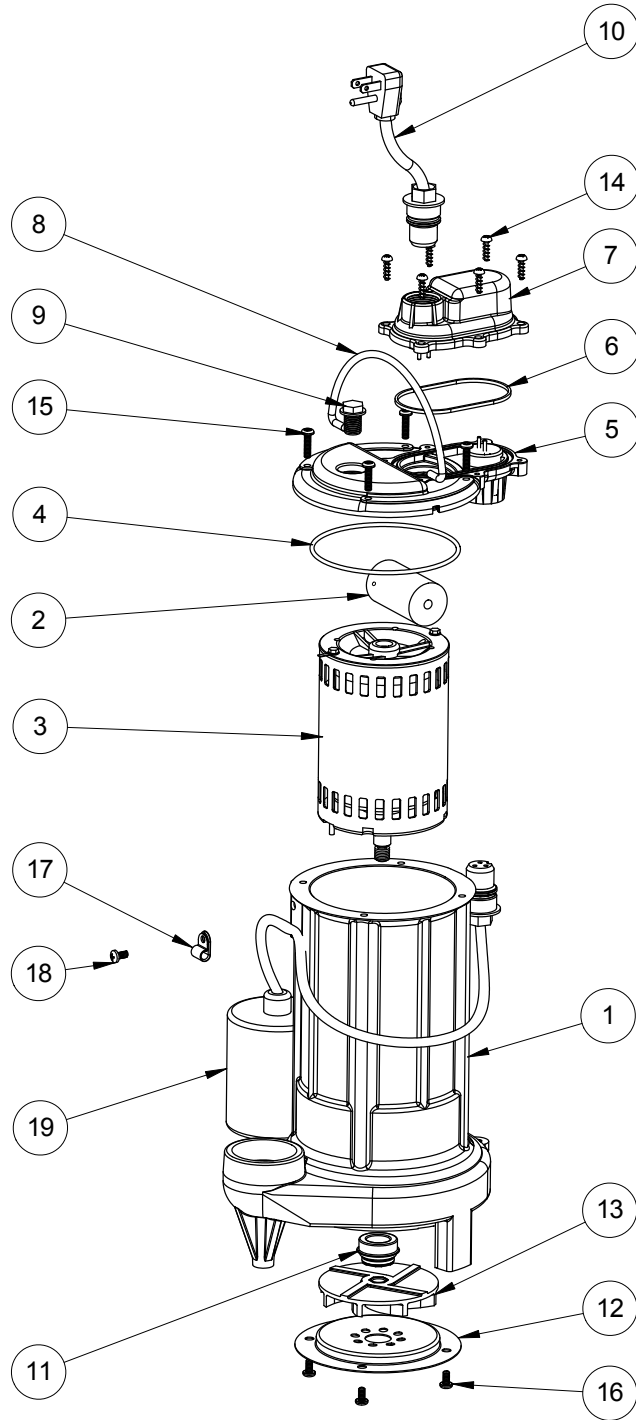


281 (B10)



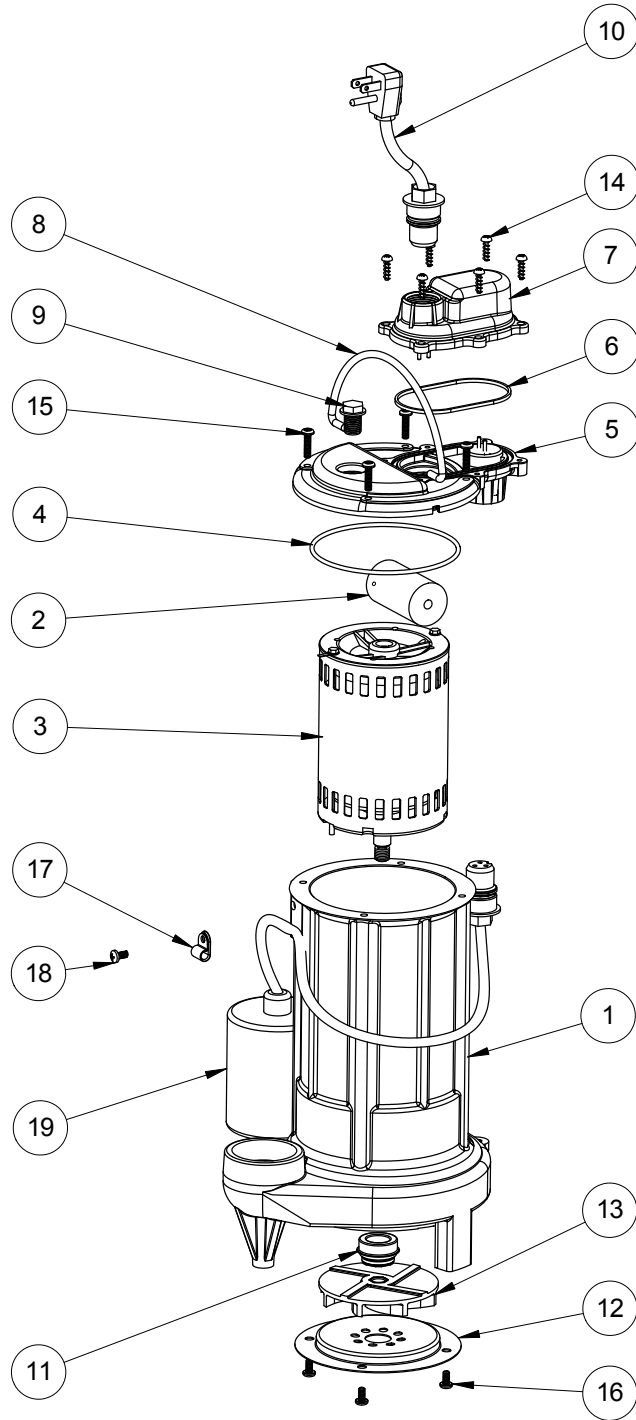
281 (B10)

#	PART #	DESCRIPTION	QTY	Note
1	25160AG	CAST IRON HOUSING WITH HOLE	1	
2	25200B0	CAPACITOR	1	[1]
3	2517000	MOTOR, .8 HP	1	
4	2357000	O-RING	1	[1]
5	240600G	MOTOR COVER, GREY	1	
6	K001046	SEALRING, CHAMBER COVER	1	
7	240700G	CHAMBER COVER, GREY	1	
8	K001082	HANDLE	1	
9	8089000	OIL PLUG, O-RING ASSEMBLY	1	
10	K001010	POWER CORD, 115V, 10 FOOT CORD	1	
11	5098000	1/2 INCH UNITIZED SEAL	1	
12	2414000	280 SERIES STAMPING INLET	1	
13	K001091	280 SERIES IMPELLER KIT	1	
14	8104200	#10 HILO X 5/8" STAINLESS STEEL SCREW	6	
15	8072000	#10 - 24 x 3/4" SCREW	4	
16	8092000	#10 - 24 x 3/8" SCREW	4	
17	8014000	CABLE CLAMP	1	
18	8082000	#10-24 x 3/8 EPOXY LOCK SCREW	1	
19	K001080	2405000 MECHANICAL SWITCH W/ QUICKPLUG	1	

PART NOTES:

[1] - Part requires factory authorized service. Contact Liberty Pumps at 1-800-543-2550

281 (B20)



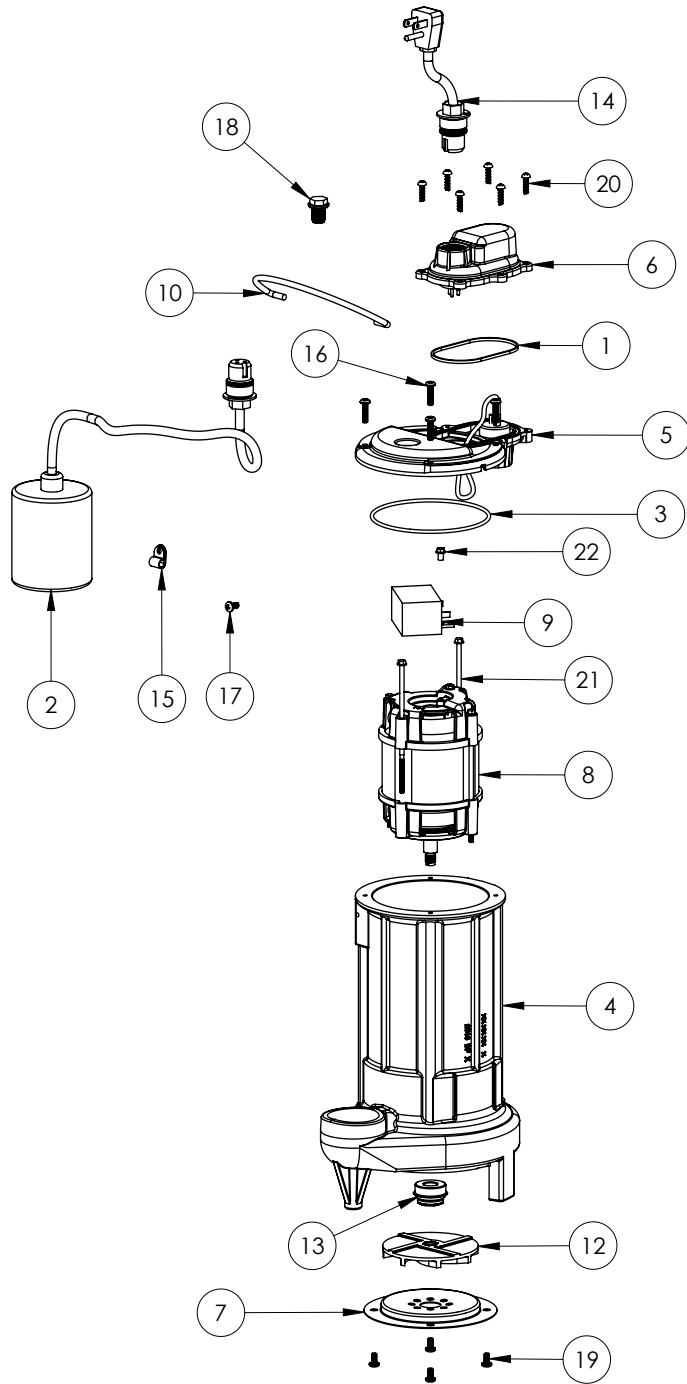
281 (B20)

#	PART #	DESCRIPTION	QTY	Note
1	25160AG	CAST IRON HOUSING WITH HOLE	1	
2	25200B0	CAPACITOR	1	[1]
3	2517000	MOTOR, .8 HP	1	
4	2357000	O-RING	1	[1]
5	240600G	MOTOR COVER, GREY	1	
6	K001046	SEALRING, CHAMBER COVER	1	
7	240700G	CHAMBER COVER, GREY	1	
8	K001082	HANDLE	1	
9	8089000	OIL PLUG, O-RING ASSEMBLY	1	
10	K001010	POWER CORD, 115V, 10 FOOT CORD	1	
11	50980A0	1/2 INCH UNITIZED SEAL	1	[1]
12	2414000	280 SERIES STAMPING INLET	1	
13	K001091	280 SERIES IMPELLER KIT	1	
14	8104200	#10 HILO X 5/8" STAINLESS STEEL SCREW	6	
15	8072000	#10 - 24 x 3/4" SCREW	4	
16	8092000	#10 - 24 x 3/8" SCREW	4	
17	8014000	CABLE CLAMP	1	
18	8082000	#10-24 x 3/8 EPOXY LOCK SCREW	1	
19	K001080	2405000 MECHANICAL SWITCH W/ QUICKPLUG	1	

PART NOTES:

[1] - Part requires factory authorized service. Contact Liberty Pumps at 1-800-543-2550

281 (B39)



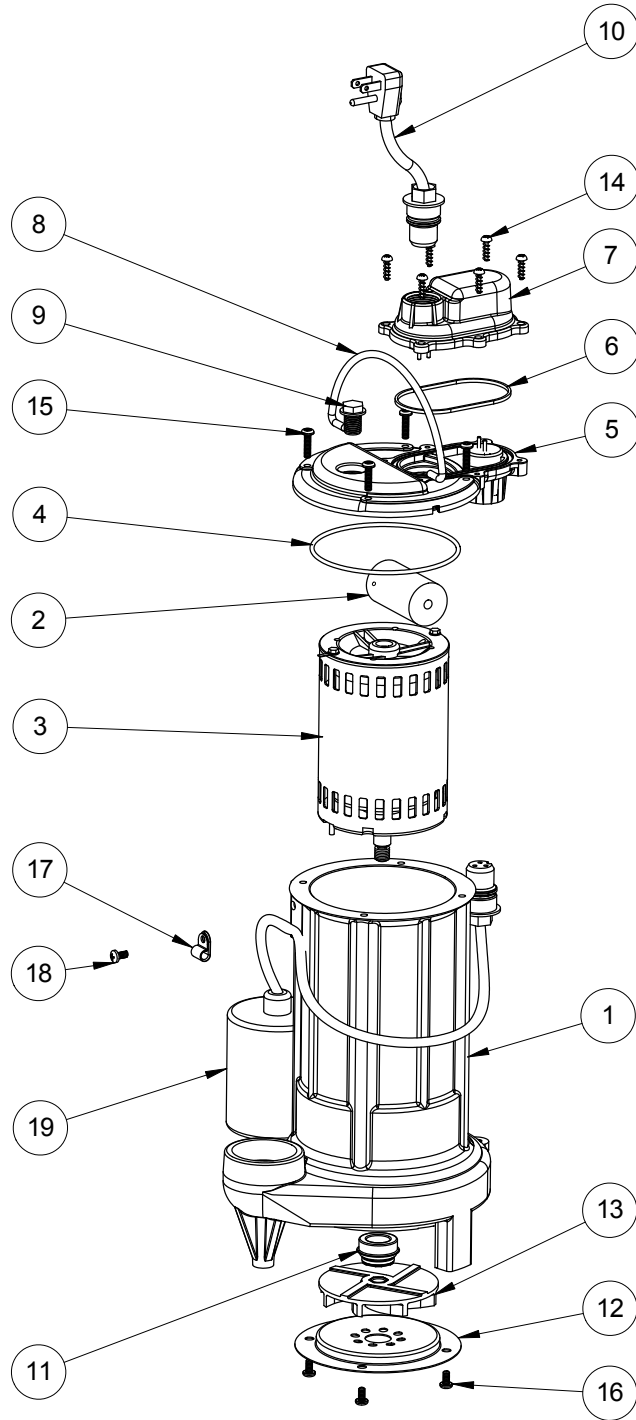
281 (B39)

#	PART #	DESCRIPTION	QTY	Note
1	K001046	SEALRING, CHAMBER COVER	1	
2	K001363	PUMP SWITCH KIT	1	
3	2357000	O-RING	1	[1]
4	25162CJ	HOUSING	1	
5	240600B	MOTOR COVER	1	
6	240700B	CHAMBER COVER	1	
7	2414000	280 SERIES STAMPING INLET	1	
8	2420200	2 POLE 115V MOTOR	1	[1]
9	K001305	CAPACITOR	1	
10	K001082	HANDLE	1	
12	K001091	280 SERIES IMPELLER KIT	1	
13	50980A0	1/2 INCH UNITIZED SEAL	1	[1]
14	K001010	POWER CORD, 115V, 10 FOOT CORD	1	
15	8014000	CABLE CLAMP	1	
16	8072000	#10 - 24 x 3/4" SCREW	4	
17	8082000	#10-24 x 3/8 EPOXY LOCK SCREW	1	
18	8089000	OIL PLUG, O-RING ASSEMBLY	1	
19	8092000	#10 - 24 x 3/8" SCREW	4	
20	8104200	#10 HILO X 5/8" STAINLESS STEEL SCREW	6	
21	8150000	#8-32 x 4-7/8" SCREW	2	[1]
22	8160000	CAPACITOR SCREW	1	[1]

PART NOTES:

[1] - Part requires factory authorized service. Contact Liberty Pumps at 1-800-543-2550

281-2 (B10)



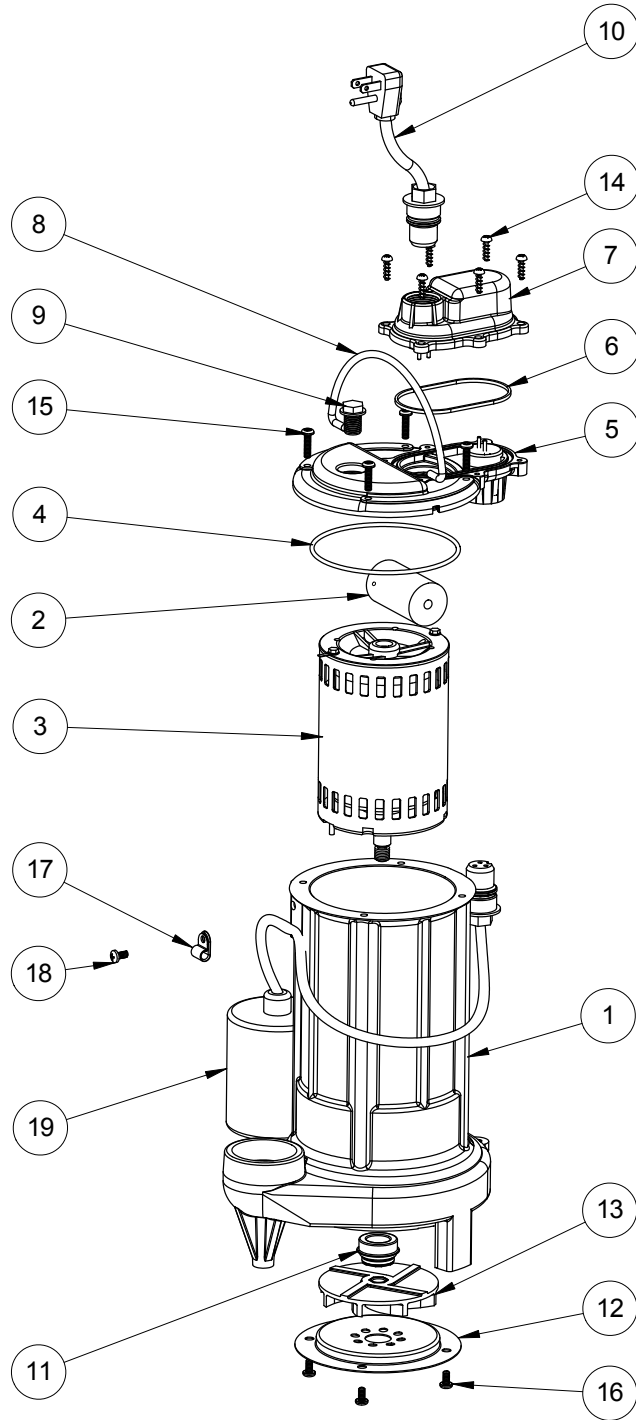
281-2**281-2 (B10)**

#	PART #	DESCRIPTION	QTY	Note
1	25160AG	CAST IRON HOUSING WITH HOLE	1	
2	25200B0	CAPACITOR	1	[1]
3	2517000	MOTOR, .8 HP	1	
4	2357000	O-RING	1	[1]
5	240600G	MOTOR COVER, GREY	1	
6	K001046	SEALRING, CHAMBER COVER	1	
7	240700G	CHAMBER COVER, GREY	1	
8	K001082	HANDLE	1	
9	8089000	OIL PLUG, O-RING ASSEMBLY	1	
10	K001008	POWER CORD, 115V, 25 FOOT CORD	1	
11	5098000	1/2 INCH UNITIZED SEAL	1	
12	2414000	280 SERIES STAMPING INLET	1	
13	K001091	280 SERIES IMPELLER KIT	1	
14	8104200	#10 HILO X 5/8" STAINLESS STEEL SCREW	6	
15	8072000	#10 - 24 x 3/4" SCREW	4	
16	8092000	#10 - 24 x 3/8" SCREW	4	
17	8014000	CABLE CLAMP	1	
18	8082000	#10-24 x 3/8 EPOXY LOCK SCREW	1	
19	K001080	2405000 MECHANICAL SWITCH W/ QUICKPLUG	1	

PART NOTES:

[1] - Part requires factory authorized service. Contact Liberty Pumps at 1-800-543-2550

281-2 (B20)



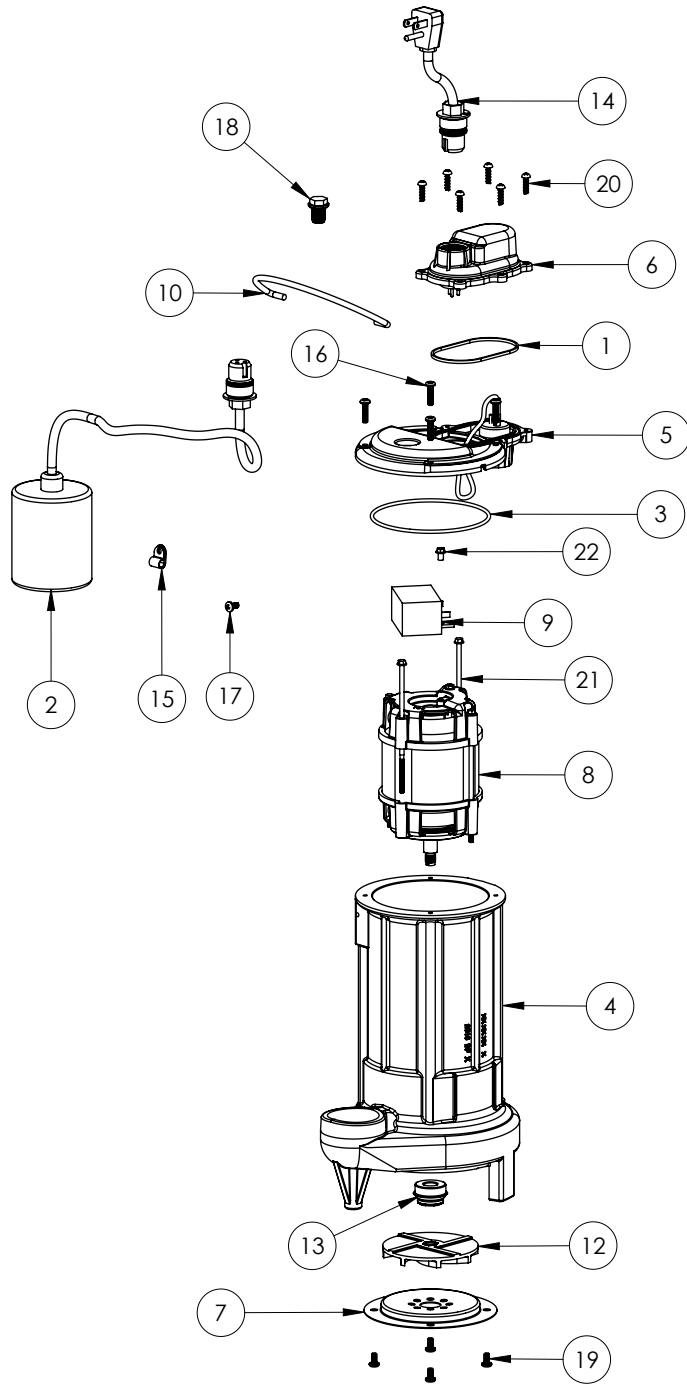
281-2**281-2 (B20)**

#	PART #	DESCRIPTION	QTY	Note
1	25160AG	CAST IRON HOUSING WITH HOLE	1	
2	25200B0	CAPACITOR	1	[1]
3	2517000	MOTOR, .8 HP	1	
4	2357000	O-RING	1	[1]
5	240600G	MOTOR COVER, GREY	1	
6	K001046	SEALRING, CHAMBER COVER	1	
7	240700G	CHAMBER COVER, GREY	1	
8	K001082	HANDLE	1	
9	8089000	OIL PLUG, O-RING ASSEMBLY	1	
10	K001008	POWER CORD, 115V, 25 FOOT CORD	1	
11	50980A0	1/2 INCH UNITIZED SEAL	1	[1]
12	2414000	280 SERIES STAMPING INLET	1	
13	K001091	280 SERIES IMPELLER KIT	1	
14	8104200	#10 HILO X 5/8" STAINLESS STEEL SCREW	6	
15	8072000	#10 - 24 x 3/4" SCREW	4	
16	8092000	#10 - 24 x 3/8" SCREW	4	
17	8014000	CABLE CLAMP	1	
18	8082000	#10-24 x 3/8 EPOXY LOCK SCREW	1	
19	K001080	2405000 MECHANICAL SWITCH W/ QUICKPLUG	1	

PART NOTES:

[1] - Part requires factory authorized service. Contact Liberty Pumps at 1-800-543-2550

281-2 (B39)



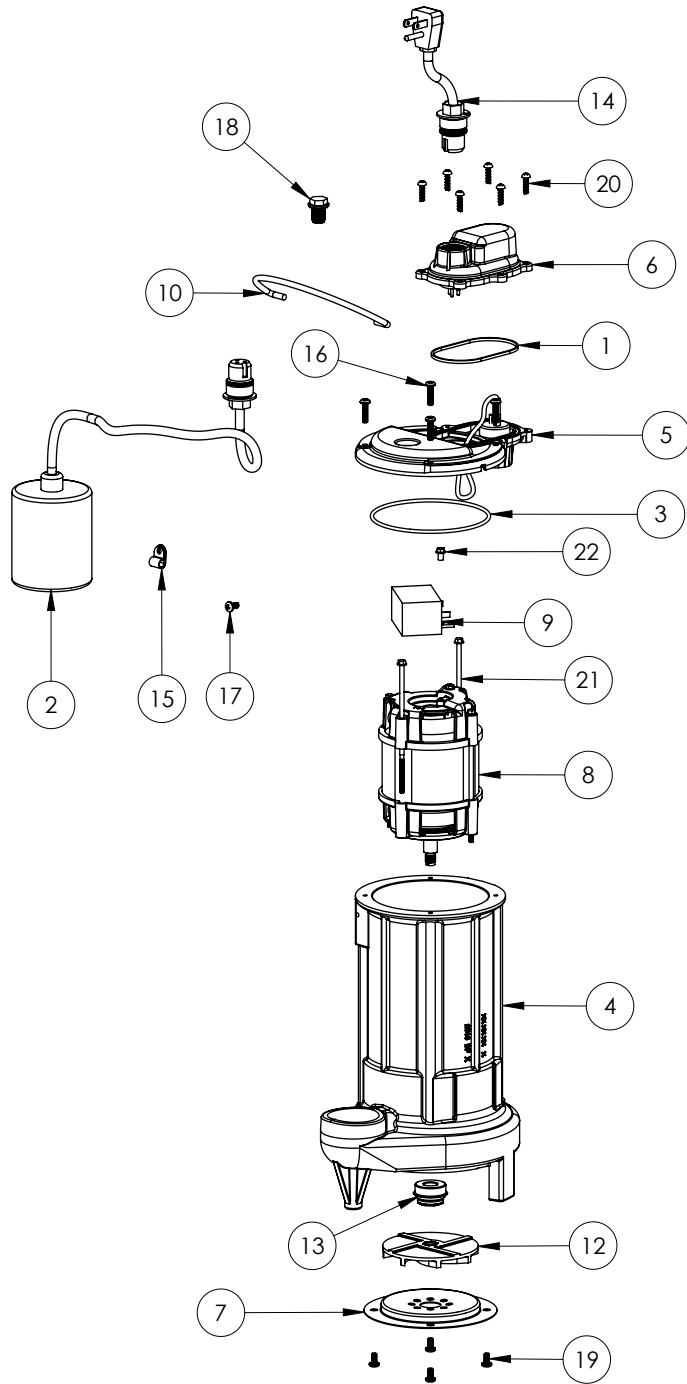
281-2 (B39)

#	PART #	DESCRIPTION	QTY	Note
1	K001046	SEALRING, CHAMBER COVER	1	
2	K001363	PUMP SWITCH KIT	1	
3	2357000	O-RING	1	[1]
4	25162CJ	HOUSING	1	
5	240600B	MOTOR COVER	1	
6	240700B	CHAMBER COVER	1	
7	2414000	280 SERIES STAMPING INLET	1	
8	2420200	2 POLE 115V MOTOR	1	[1]
9	K001305	CAPACITOR	1	
10	K001082	HANDLE	1	
12	K001091	280 SERIES IMPELLER KIT	1	
13	50980A0	1/2 INCH UNITIZED SEAL	1	[1]
14	K001008	POWER CORD, 115V, 25 FOOT CORD	1	
15	8014000	CABLE CLAMP	1	
16	8072000	#10 - 24 x 3/4" SCREW	4	
17	8082000	#10-24 x 3/8 EPOXY LOCK SCREW	1	
18	8089000	OIL PLUG, O-RING ASSEMBLY	1	
19	8092000	#10 - 24 x 3/8" SCREW	4	
20	8104200	#10 HILO X 5/8" STAINLESS STEEL SCREW	6	
21	8150000	#8-32 x 4-7/8" SCREW	2	[1]
22	8160000	CAPACITOR SCREW	1	[1]

PART NOTES:

[1] - Part requires factory authorized service. Contact Liberty Pumps at 1-800-543-2550

281-3 (B39)



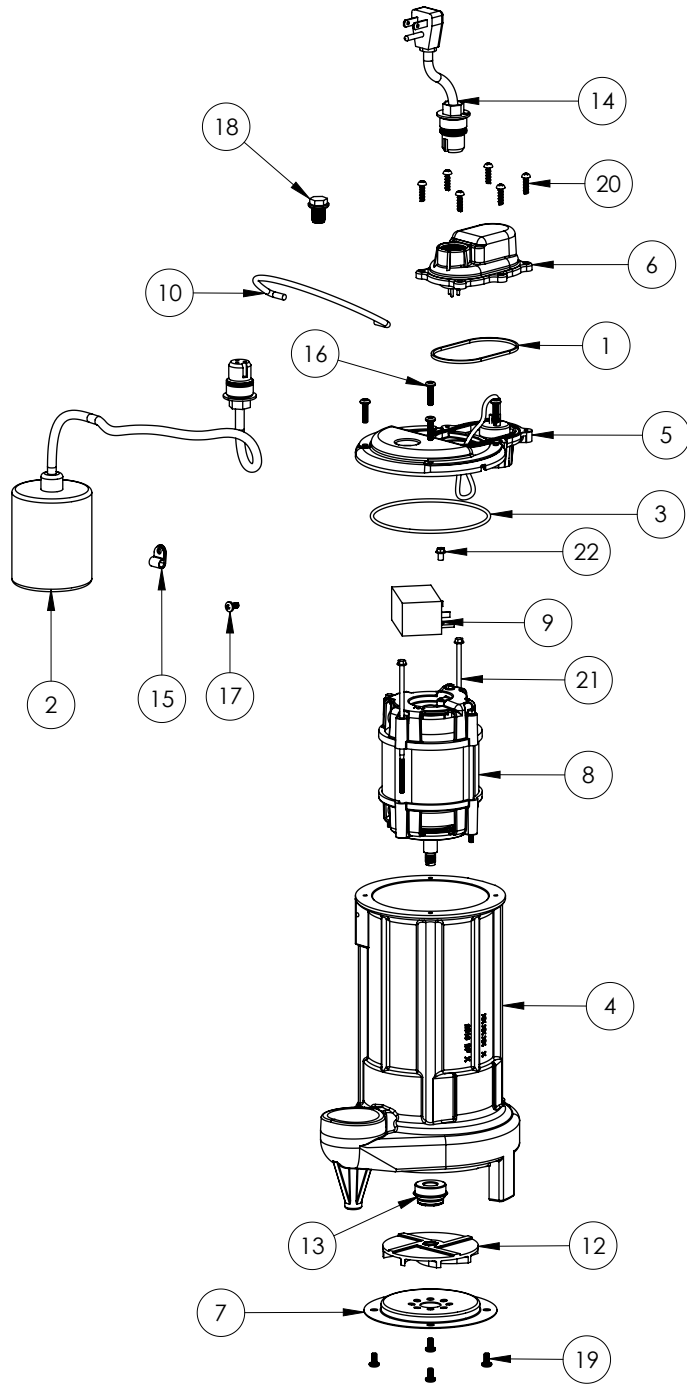
281-3 (B39)

#	PART #	DESCRIPTION	QTY	Note
1	K001046	SEALRING, CHAMBER COVER	1	
2	K001363	PUMP SWITCH KIT	1	
3	2357000	O-RING	1	[1]
4	25162CJ	HOUSING	1	
5	240600B	MOTOR COVER	1	
6	240700B	CHAMBER COVER	1	
7	2414000	280 SERIES STAMPING INLET	1	
8	2420200	2 POLE 115V MOTOR	1	[1]
9	K001305	CAPACITOR	1	
10	K001082	HANDLE	1	
12	K001091	280 SERIES IMPELLER KIT	1	
13	50980A0	1/2 INCH UNITIZED SEAL	1	[1]
14	K001346	POWER CORD, 35FT.	1	
15	8014000	CABLE CLAMP	1	
16	8072000	#10 - 24 x 3/4" SCREW	4	
17	8082000	#10-24 x 3/8 EPOXY LOCK SCREW	1	
18	8089000	OIL PLUG, O-RING ASSEMBLY	1	
19	8092000	#10 - 24 x 3/8" SCREW	4	
20	8104200	#10 HILO X 5/8" STAINLESS STEEL SCREW	6	
21	8150000	#8-32 x 4-7/8" SCREW	2	[1]
22	8160000	CAPACITOR SCREW	1	[1]

PART NOTES:

[1] - Part requires factory authorized service. Contact Liberty Pumps at 1-800-543-2550

281-5 (B39)



281-5 (B39)

#	PART #	DESCRIPTION	QTY	Note
1	K001046	SEALRING, CHAMBER COVER	1	
2	K001363	PUMP SWITCH KIT	1	
3	2357000	O-RING	1	[1]
4	25162CJ	HOUSING	1	
5	240600B	MOTOR COVER	1	
6	240700B	CHAMBER COVER	1	
7	2414000	280 SERIES STAMPING INLET	1	
8	2420200	2 POLE 115V MOTOR	1	[1]
9	K001305	CAPACITOR	1	
10	K001082	HANDLE	1	
12	K001091	280 SERIES IMPELLER KIT	1	
13	50980A0	1/2 INCH UNITIZED SEAL	1	[1]
14	K001345	POWER CORD, 50FT.	1	
15	8014000	CABLE CLAMP	1	
16	8072000	#10 - 24 x 3/4" SCREW	4	
17	8082000	#10-24 x 3/8 EPOXY LOCK SCREW	1	
18	8089000	OIL PLUG, O-RING ASSEMBLY	1	
19	8092000	#10 - 24 x 3/8" SCREW	4	
20	8104200	#10 HILO X 5/8" STAINLESS STEEL SCREW	6	
21	8150000	#8-32 x 4-7/8" SCREW	2	[1]
22	8160000	CAPACITOR SCREW	1	[1]

PART NOTES:

[1] - Part requires factory authorized service. Contact Liberty Pumps at 1-800-543-2550