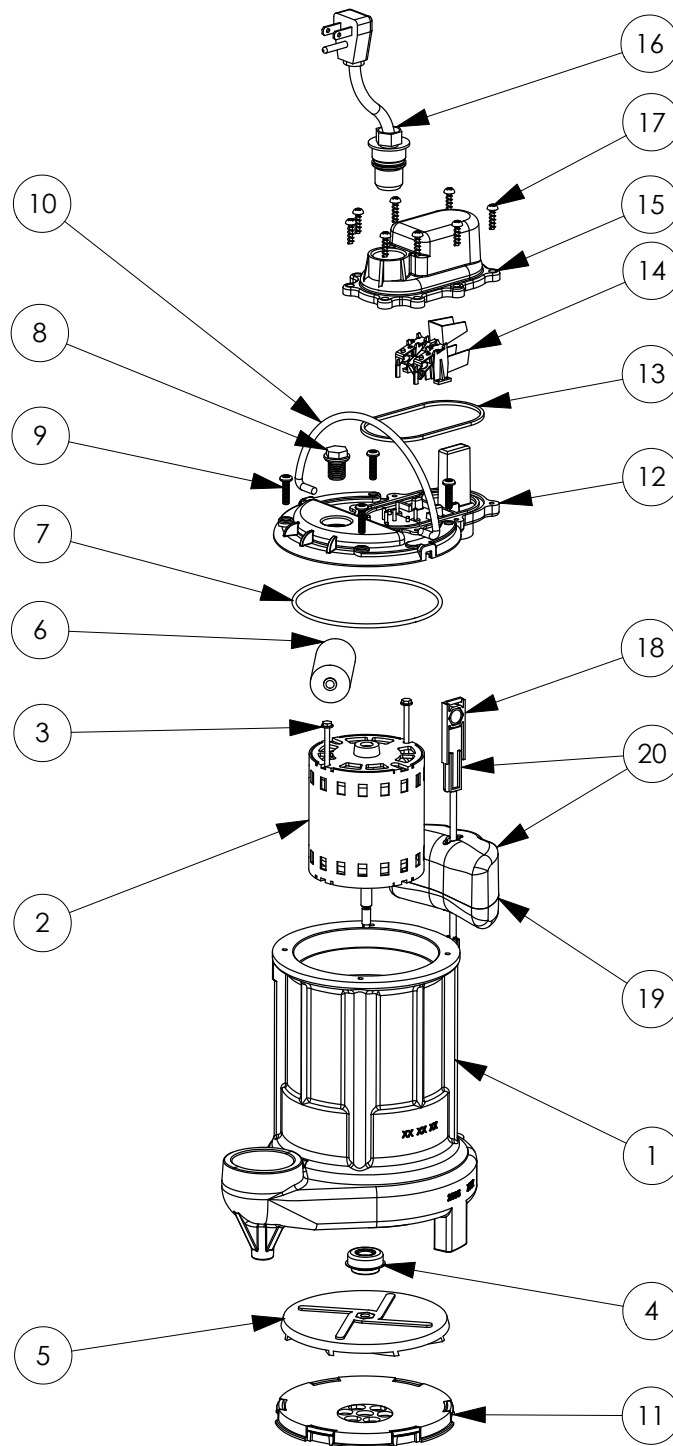


257 (B10)



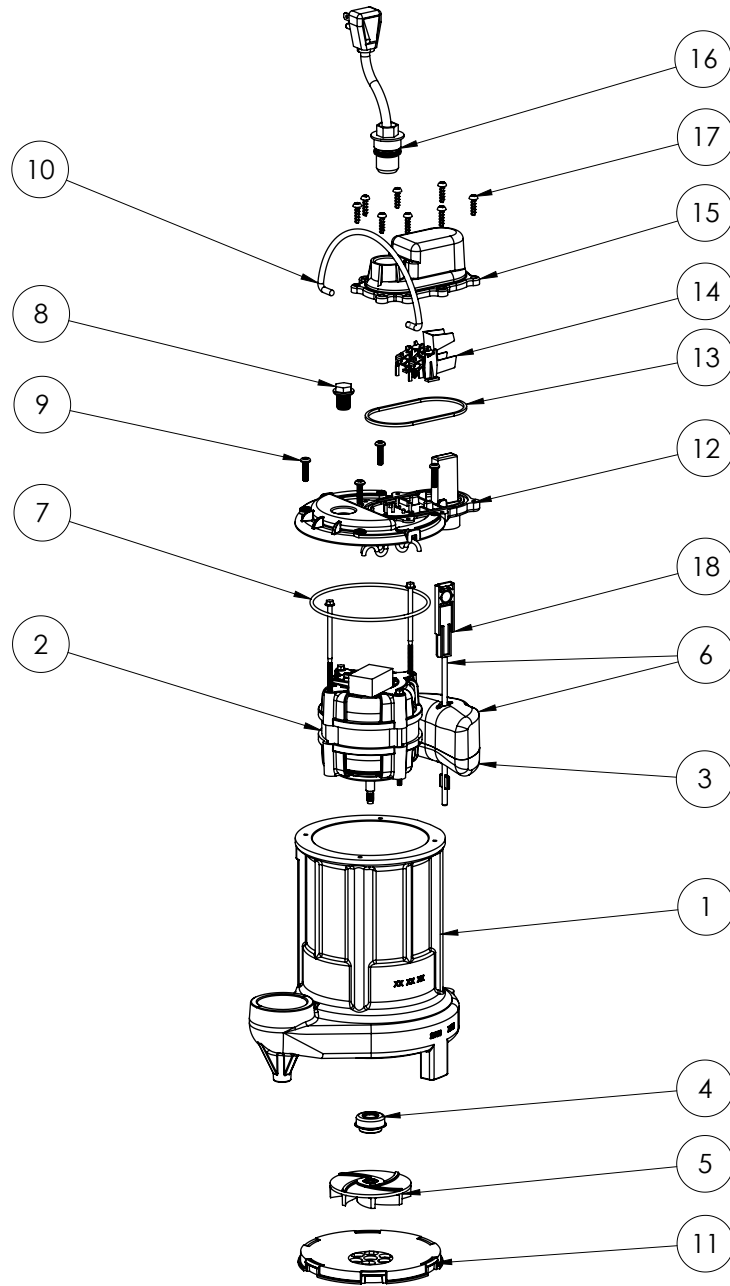
257 (B10)

#	PART #	DESCRIPTION	QTY	Note
1	250500G	CAST IRON HOUSING WITHOUT HOLE	1	
2	2329000	PSC MOTOR	1	
3	8079000	MOTOR STATOR BOLTS	2	[1]
4	2309000	5/16 SHAFT SEAL	1	
5	K001093	IMPELLER	1	
6	23430E0	CAPACITOR	1	
7	2357000	O-RING	1	[1]
8	8089000	OIL PLUG, O-RING ASSEMBLY	1	
9	8072000	#10 - 24 x 3/4" SCREW	4	
10	K001082	HANDLE	1	
11	2502000	PLASTIC SCREEN	1	
12	206500G	VMF MOTOR COVER GREY	1	
13	2072000	SEALRING, SWITCH COVER	1	
14	K001012	VMF SWITCH	1	
15	K001069	VMF SWITCH COVER, BLACK	1	
16	K001010	POWER CORD, 115V, 10 FOOT CORD	1	
17	8104200	#10 HILO X 5/8" STAINLESS STEEL SCREW	8	
18	2075000	VMF FLOAT ROD	1	[1]
19	2362000	VMF FLOAT	1	[1]
20	K001048	VMF FLOAT AND ROD KIT	1	

PART NOTES:

[1] - Part requires factory authorized service. Contact Liberty Pumps at 1-800-543-2550

257 (B36)



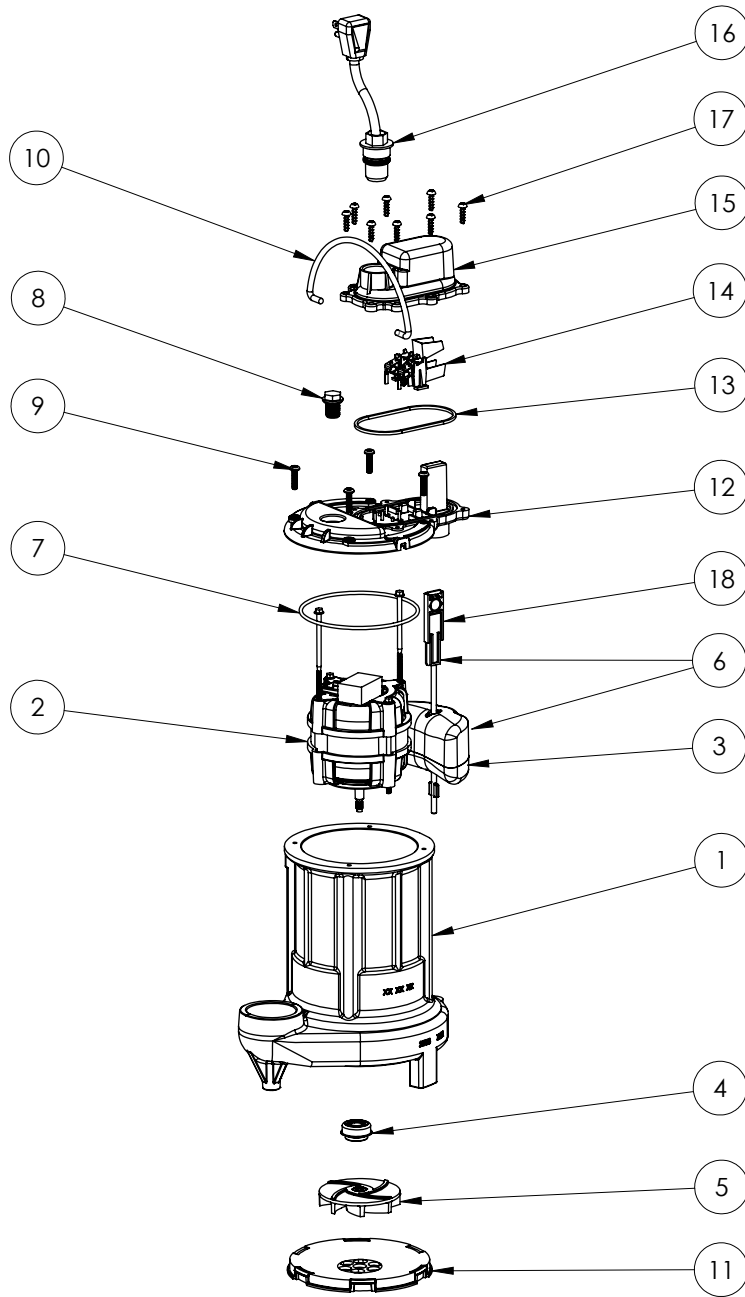
257 (B36)

#	PART #	DESCRIPTION	QTY	Note
1	25050BJ	CAST IRON HOUSING WITHOUT HOLE FOR SWITCH MOUNT	1	
2	2415200	PSC MOTOR	1	[1]
3	2362000	VMF FLOAT	1	[1]
4	2309000	5/16 SHAFT SEAL	1	
5	K001331	IMPELLER	1	
6	K001048	VMF FLOAT AND ROD KIT	1	
7	2357000	O-RING	1	[1]
8	8089000	OIL PLUG, O-RING ASSEMBLY	1	
9	8072000	#10 - 24 x 3/4" SCREW	4	
10	K001082	HANDLE	1	
11	2502000	PLASTIC SCREEN	1	
12	206500B	VMF MOTOR COVER, BLACK	1	
13	2072000	SEALRING, SWITCH COVER	1	
14	K001012	VMF SWITCH	1	
15	K001069	VMF SWITCH COVER, BLACK	1	
16	K001010	POWER CORD, 115V, 10 FOOT CORD	1	
17	8104200	#10 HILO X 5/8" STAINLESS STEEL SCREW	8	
18	2075000	VMF FLOAT ROD	1	[1]

PART NOTES:

[1] - Part requires factory authorized service. Contact Liberty Pumps at 1-800-543-2550

257 (B51)



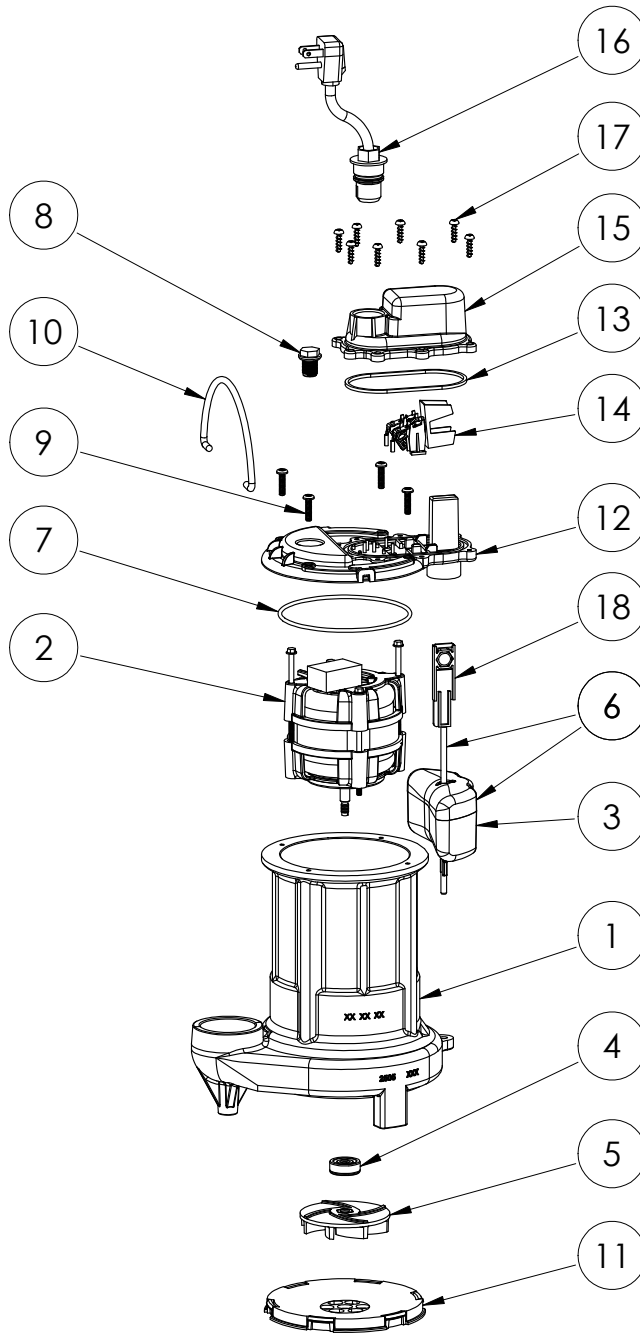
257 (B51)

#	PART #	DESCRIPTION	QTY	Note
1	25050BJ	CAST IRON HOUSING WITHOUT HOLE FOR SWITCH MOUNT	1	
2	2415200	PSC MOTOR	1	[1]
3	2362000	VMF FLOAT	1	[1]
4	2309000	5/16 SHAFT SEAL	1	
5	K001331	IMPELLER	1	
6	K001048	VMF FLOAT AND ROD KIT	1	
7	2357000	O-RING	1	[1]
8	8089000	OIL PLUG, O-RING ASSEMBLY	1	
9	8072000	#10 - 24 x 3/4" SCREW	4	
10	K001082	HANDLE	1	
11	2502000	PLASTIC SCREEN	1	
12	206500B	VMF MOTOR COVER, BLACK	1	
13	2072000	SEALRING, SWITCH COVER	1	
14	K001012	VMF SWITCH	1	
15	K001069	VMF SWITCH COVER, BLACK	1	
16	K001010	POWER CORD, 115V, 10 FOOT CORD	1	
17	8104200	#10 HILO X 5/8" STAINLESS STEEL SCREW	8	
18	2075000	VMF FLOAT ROD	1	[1]

PART NOTES:

[1] - Part requires factory authorized service. Contact Liberty Pumps at 1-800-543-2550

257 (B59)



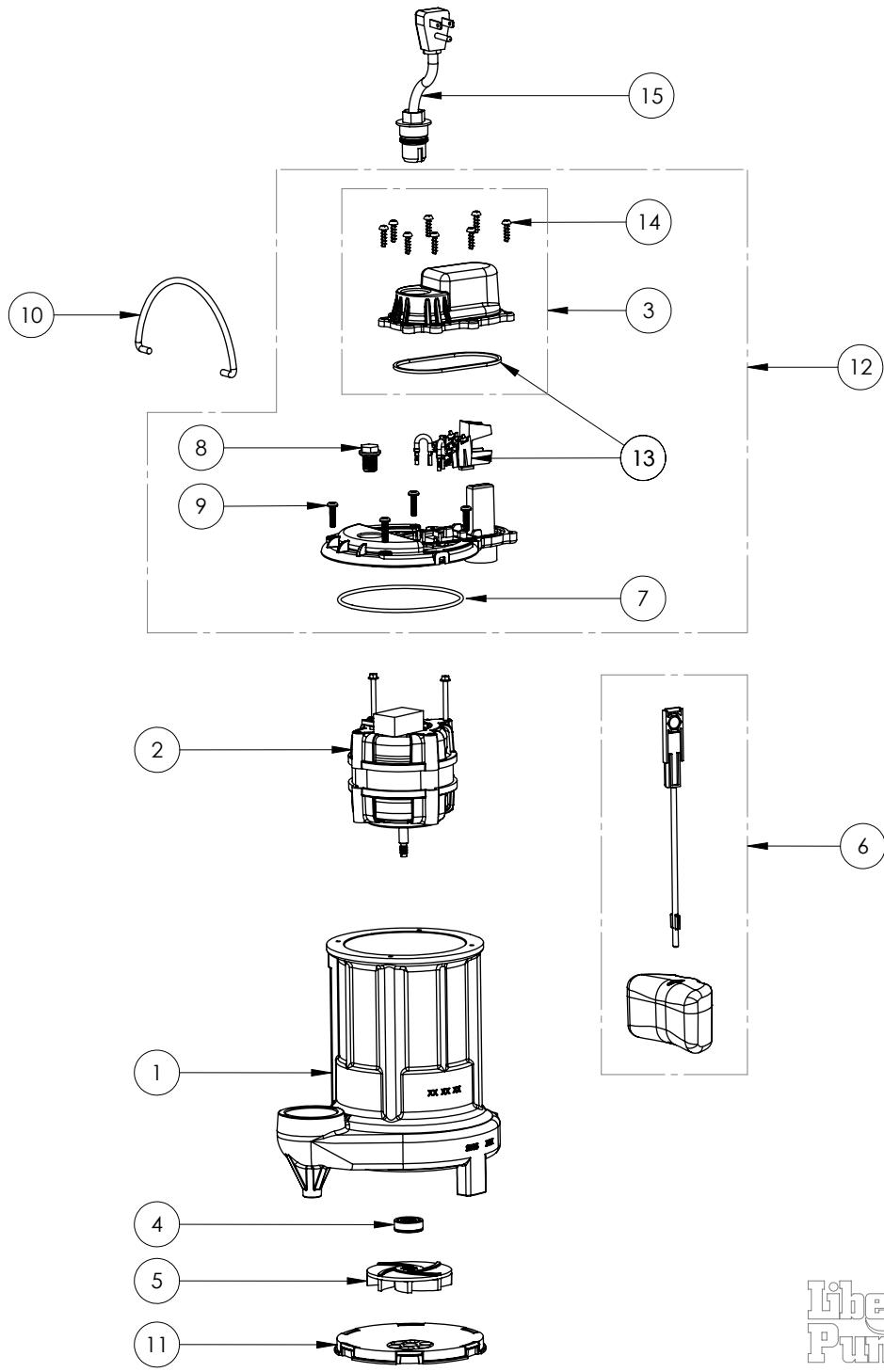
257 (B59)

#	PART #	DESCRIPTION	QTY	Note
1	25050BJ	CAST IRON HOUSING WITHOUT HOLE FOR SWITCH MOUNT	1	
2	2415200	PSC MOTOR	1	[1]
3	2362000	VMF FLOAT	1	[1]
4	K001254	3043000 5/16" SHAFT SEAL	1	[1]
5	K001331	IMPELLER	1	
6	K001048	VMF FLOAT AND ROD KIT	1	
7	2357000	O-RING	1	[1]
8	8089000	OIL PLUG, O-RING ASSEMBLY	1	
9	8072000	#10 - 24 x 3/4" SCREW	4	
10	K001082	HANDLE	1	
11	2502000	PLASTIC SCREEN	1	
12	206500B	VMF MOTOR COVER, BLACK	1	
13	2072000	SEALRING, SWITCH COVER	1	
14	K001012	VMF SWITCH	1	
15	K001069	VMF SWITCH COVER, BLACK	1	
16	K001010	POWER CORD, 115V, 10 FOOT CORD	1	
17	8104200	#10 HILO X 5/8" STAINLESS STEEL SCREW	8	
18	2075000	VMF FLOAT ROD	1	[1]

PART NOTES:

[1] - Part requires factory authorized service. Contact Liberty Pumps at 1-800-543-2550

257 (B60)



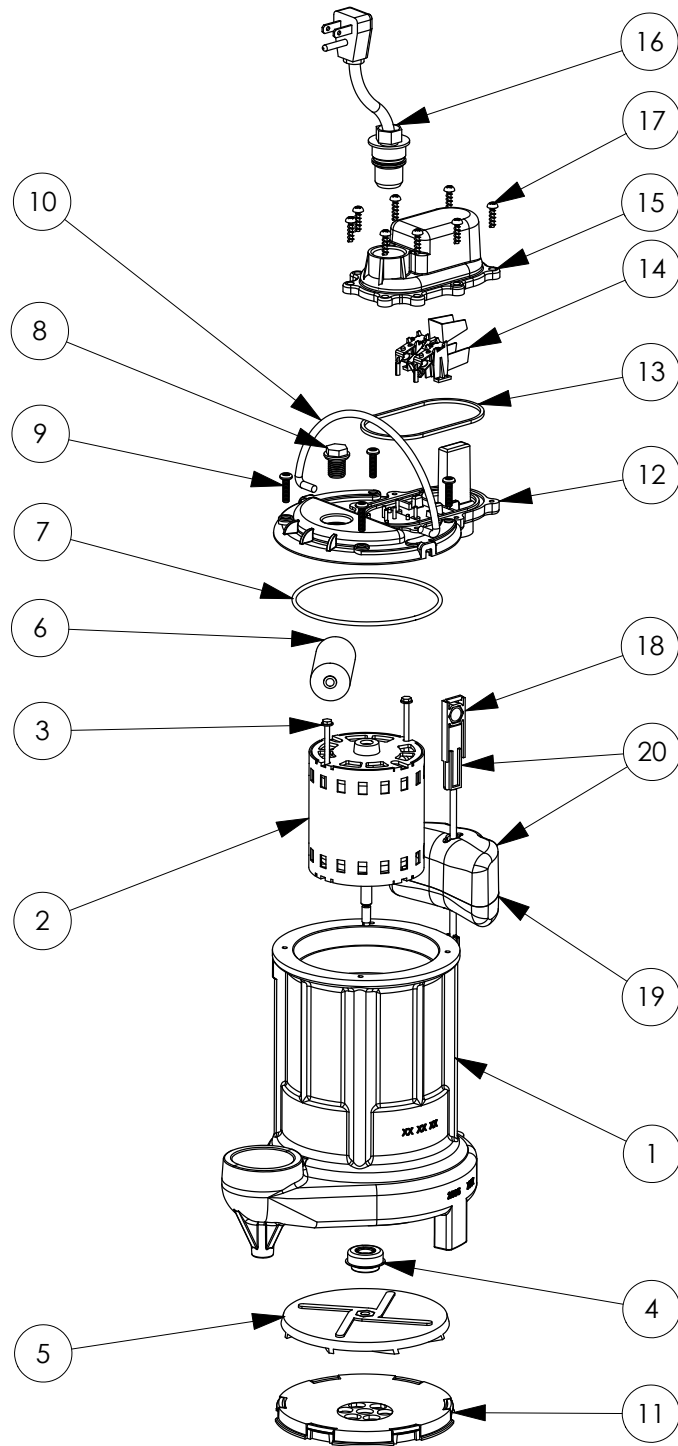
257 (B60)

#	PART #	DESCRIPTION	QTY	Note
1	25050BJ	CAST IRON HOUSING WITHOUT HOLE FOR SWITCH MOUNT	1	
2	2415200	PSC MOTOR	1	[1]
3	K001329	VMF SWITCH COVER KIT	1	
4	K001254	3043000 5/16" SHAFT SEAL	1	[1]
5	K001331	IMPELLER	1	
6	K001048	VMF FLOAT AND ROD KIT	1	
7	2357000	O-RING	1	[1]
8	8089000	OIL PLUG, O-RING ASSEMBLY	1	
9	8072000	#10 - 24 x 3/4" SCREW	4	
10	K001082	HANDLE	1	
11	2502000	PLASTIC SCREEN	1	
12	K001332	VMF MOTOR COVER KIT	1	
13	K001330	VMF SWITCH AND SEALRING KIT	1	
14	8104200	#10 HILO X 5/8" STAINLESS STEEL SCREW	8	
15	K001010	POWER CORD, 115V, 10 FOOT CORD	1	

PART NOTES:

[1] - Part requires factory authorized service. Contact Liberty Pumps at 1-800-543-2550

257-2 (B10)



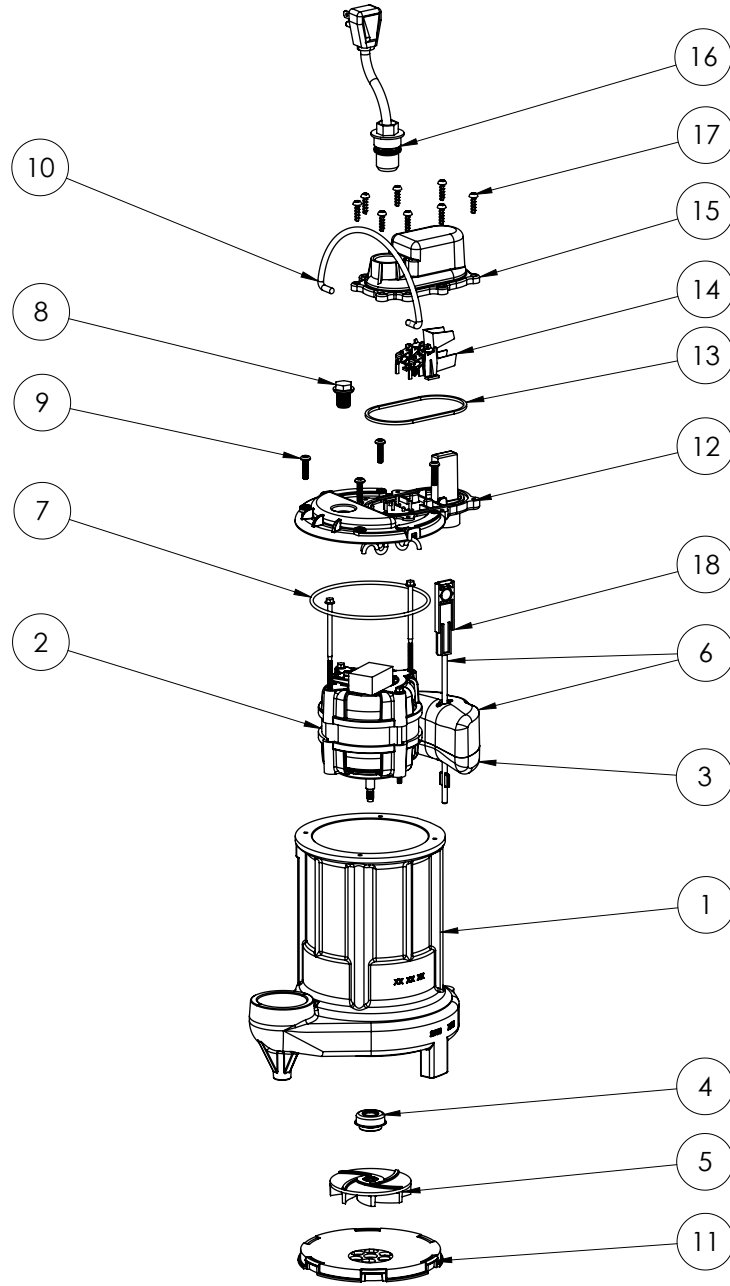
257-2 (B10)

#	PART #	DESCRIPTION	QTY	Note
1	250500G	CAST IRON HOUSING WITHOUT HOLE	1	
2	2329000	PSC MOTOR	1	
3	8079000	MOTOR STATOR BOLTS	2	[1]
4	2309000	5/16 SHAFT SEAL	1	
5	K001093	IMPELLER	1	
6	23430E0	CAPACITOR	1	
7	2357000	O-RING	1	[1]
8	8089000	OIL PLUG, O-RING ASSEMBLY	1	
9	8072000	#10 - 24 x 3/4" SCREW	4	
10	K001082	HANDLE	1	
11	2502000	PLASTIC SCREEN	1	
12	206500G	VMF MOTOR COVER GREY	1	
13	2072000	SEALRING, SWITCH COVER	1	
14	K001012	VMF SWITCH	1	
15	K001069	VMF SWITCH COVER, BLACK	1	
16	K001008	POWER CORD, 115V, 25 FOOT CORD	1	
17	8104200	#10 HILO X 5/8" STAINLESS STEEL SCREW	8	
18	2075000	VMF FLOAT ROD	1	[1]
19	2362000	VMF FLOAT	1	[1]
20	K001048	VMF FLOAT AND ROD KIT	1	

PART NOTES:

[1] - Part requires factory authorized service. Contact Liberty Pumps at 1-800-543-2550

257-2 (B36)



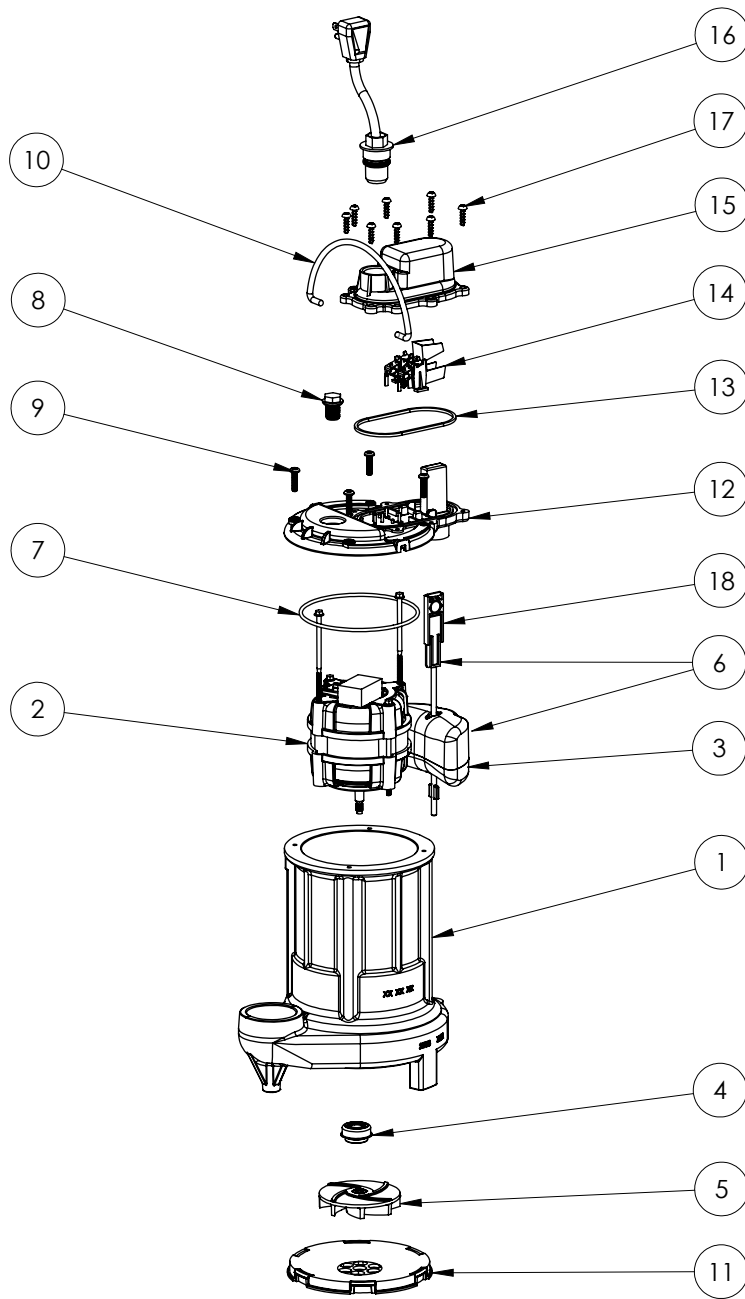
257-2 (B36)

#	PART #	DESCRIPTION	QTY	Note
1	25050BJ	CAST IRON HOUSING WITHOUT HOLE FOR SWITCH MOUNT	1	
2	2415200	PSC MOTOR	1	[1]
3	2362000	VMF FLOAT	1	[1]
4	2309000	5/16 SHAFT SEAL	1	
5	K001331	IMPELLER	1	
6	K001048	VMF FLOAT AND ROD KIT	1	
7	2357000	O-RING	1	[1]
8	8089000	OIL PLUG, O-RING ASSEMBLY	1	
9	8072000	#10 - 24 x 3/4" SCREW	4	
10	K001082	HANDLE	1	
11	2502000	PLASTIC SCREEN	1	
12	206500B	VMF MOTOR COVER, BLACK	1	
13	2072000	SEALRING, SWITCH COVER	1	
14	K001012	VMF SWITCH	1	
15	K001069	VMF SWITCH COVER, BLACK	1	
16	K001008	POWER CORD, 115V, 25 FOOT CORD	1	
17	8104200	#10 HILO X 5/8" STAINLESS STEEL SCREW	8	
18	2075000	VMF FLOAT ROD	1	[1]

PART NOTES:

[1] - Part requires factory authorized service. Contact Liberty Pumps at 1-800-543-2550

257-2 (B51)



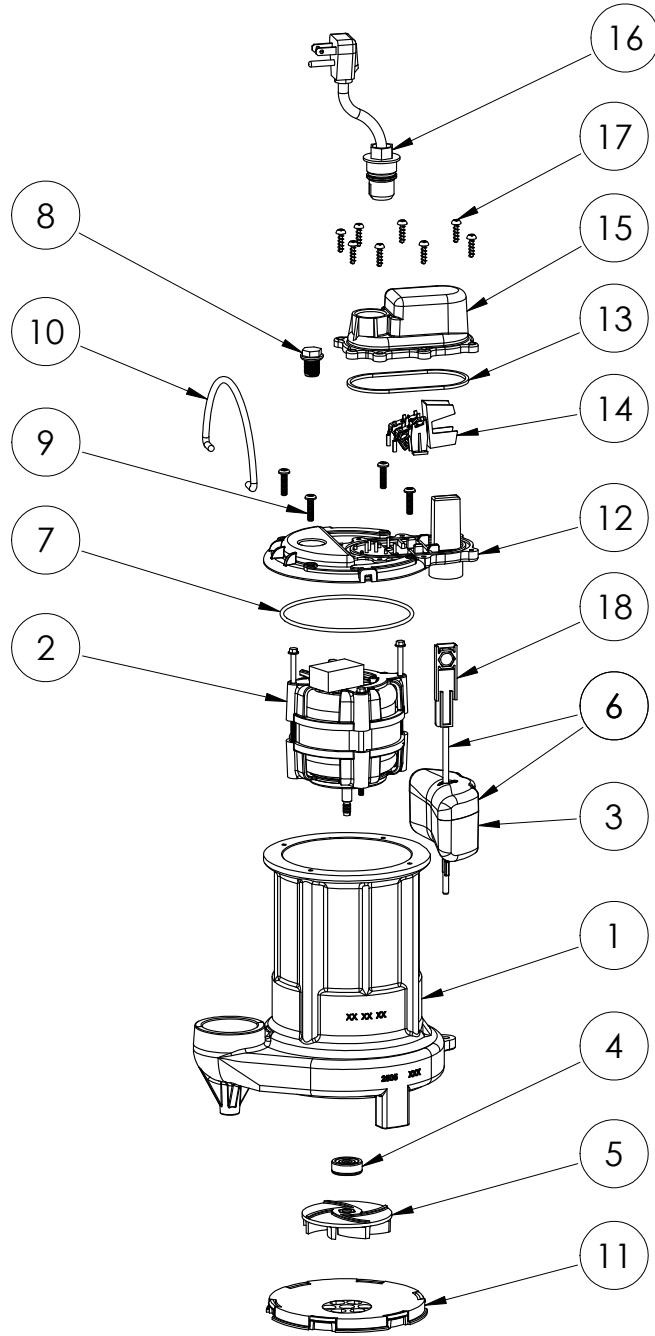
257-2 (B51)

#	PART #	DESCRIPTION	QTY	Note
1	25050BJ	CAST IRON HOUSING WITHOUT HOLE FOR SWITCH MOUNT	1	
2	2415200	PSC MOTOR	1	[1]
3	2362000	VMF FLOAT	1	[1]
4	2309000	5/16 SHAFT SEAL	1	
5	K001331	IMPELLER	1	
6	K001048	VMF FLOAT AND ROD KIT	1	
7	2357000	O-RING	1	[1]
8	8089000	OIL PLUG, O-RING ASSEMBLY	1	
9	8072000	#10 - 24 x 3/4" SCREW	4	
10	K001082	HANDLE	1	
11	2502000	PLASTIC SCREEN	1	
12	206500B	VMF MOTOR COVER, BLACK	1	
13	2072000	SEALRING, SWITCH COVER	1	
14	K001012	VMF SWITCH	1	
15	K001069	VMF SWITCH COVER, BLACK	1	
16	K001008	POWER CORD, 115V, 25 FOOT CORD	1	
17	8104200	#10 HILO X 5/8" STAINLESS STEEL SCREW	8	
18	2075000	VMF FLOAT ROD	1	[1]

PART NOTES:

[1] - Part requires factory authorized service. Contact Liberty Pumps at 1-800-543-2550

257-2 (B59)



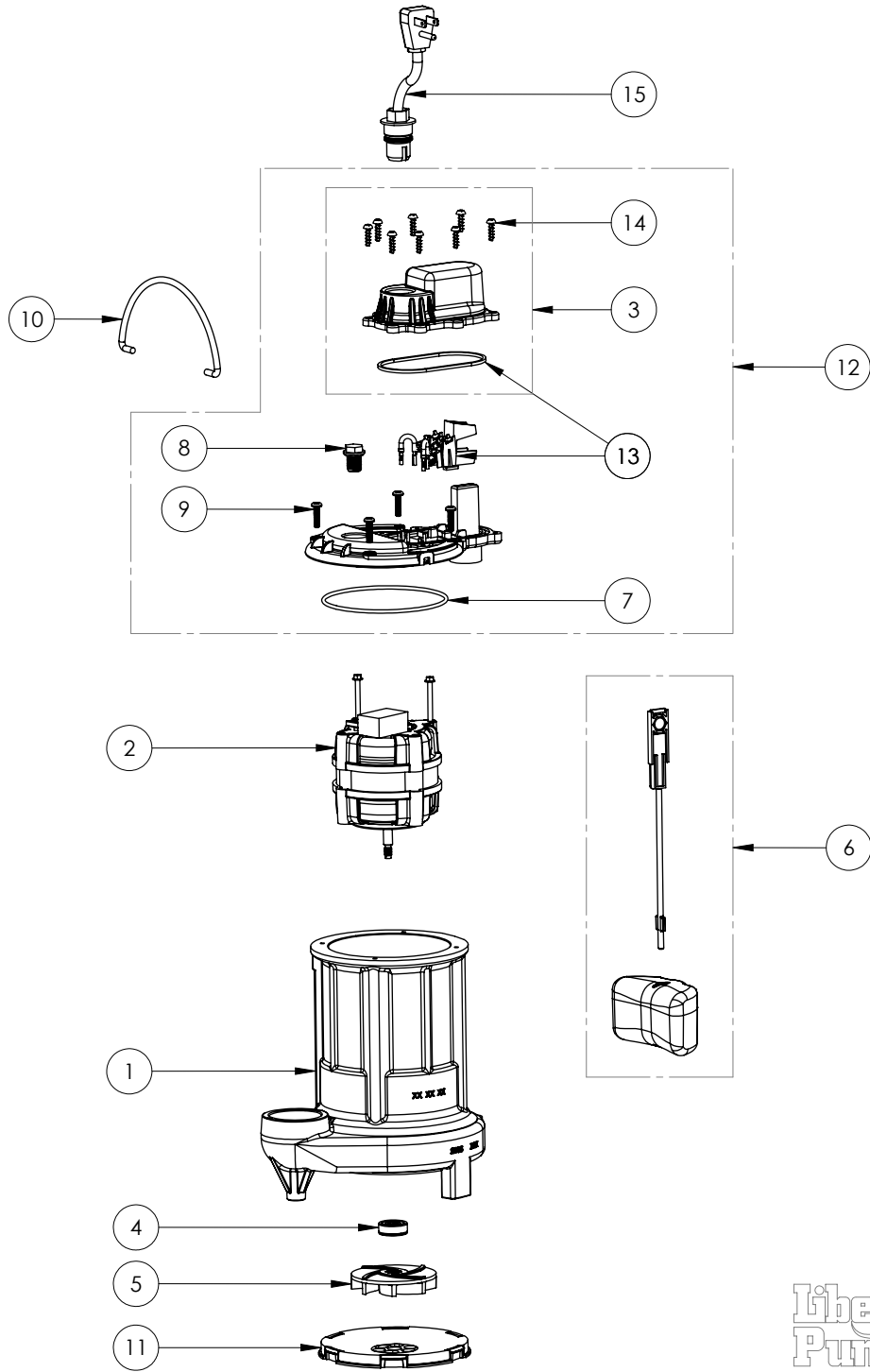
257-2 (B59)

#	PART #	DESCRIPTION	QTY	Note
1	25050BJ	CAST IRON HOUSING WITHOUT HOLE FOR SWITCH MOUNT	1	
2	2415200	PSC MOTOR	1	[1]
3	2362000	VMF FLOAT	1	[1]
4	K001254	3043000 5/16" SHAFT SEAL	1	[1]
5	K001331	IMPELLER	1	
6	K001048	VMF FLOAT AND ROD KIT	1	
7	2357000	O-RING	1	[1]
8	8089000	OIL PLUG, O-RING ASSEMBLY	1	
9	8072000	#10 - 24 x 3/4" SCREW	4	
10	K001082	HANDLE	1	
11	2502000	PLASTIC SCREEN	1	
12	206500B	VMF MOTOR COVER, BLACK	1	
13	2072000	SEALRING, SWITCH COVER	1	
14	K001012	VMF SWITCH	1	
15	K001069	VMF SWITCH COVER, BLACK	1	
16	K001008	POWER CORD, 115V, 25 FOOT CORD	1	
17	8104200	#10 HILO X 5/8" STAINLESS STEEL SCREW	8	
18	2075000	VMF FLOAT ROD	1	[1]

PART NOTES:

[1] - Part requires factory authorized service. Contact Liberty Pumps at 1-800-543-2550

257-2 (B60)



Liberty
Pumps

257-2 (B60)

#	PART #	DESCRIPTION	QTY	Note
1	25050BJ	CAST IRON HOUSING WITHOUT HOLE FOR SWITCH MOUNT	1	
2	2415200	PSC MOTOR	1	[1]
3	K001329	VMF SWITCH COVER KIT	1	
4	K001254	3043000 5/16" SHAFT SEAL	1	[1]
5	K001331	IMPELLER	1	
6	K001048	VMF FLOAT AND ROD KIT	1	
7	2357000	O-RING	1	[1]
8	8089000	OIL PLUG, O-RING ASSEMBLY	1	
9	8072000	#10 - 24 x 3/4" SCREW	4	
10	K001082	HANDLE	1	
11	2502000	PLASTIC SCREEN	1	
12	K001332	VMF MOTOR COVER KIT	1	
13	K001330	VMF SWITCH AND SEALRING KIT	1	
14	8104200	#10 HILO X 5/8" STAINLESS STEEL SCREW	8	
15	K001008	POWER CORD, 115V, 25 FOOT CORD	1	

PART NOTES:

[1] - Part requires factory authorized service. Contact Liberty Pumps at 1-800-543-2550