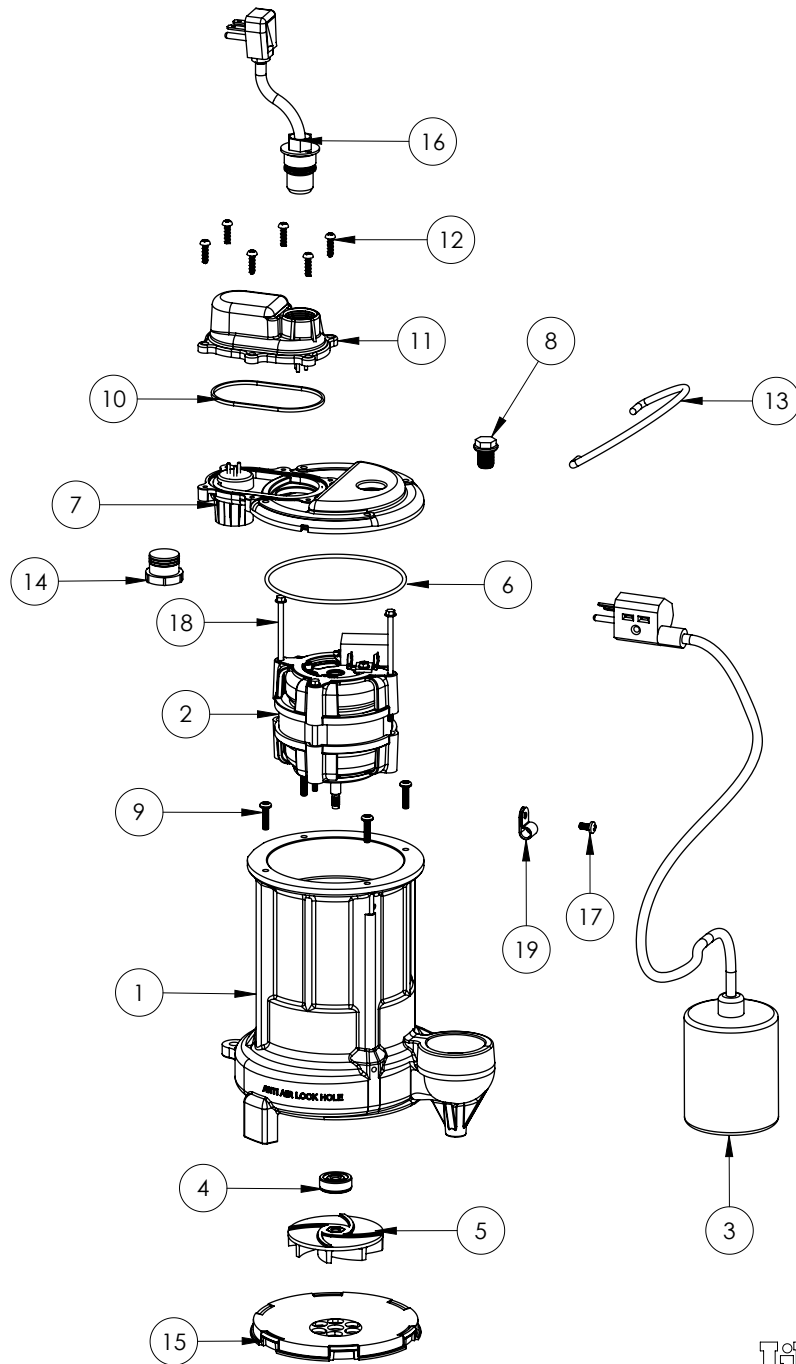


# 253HV (B59)



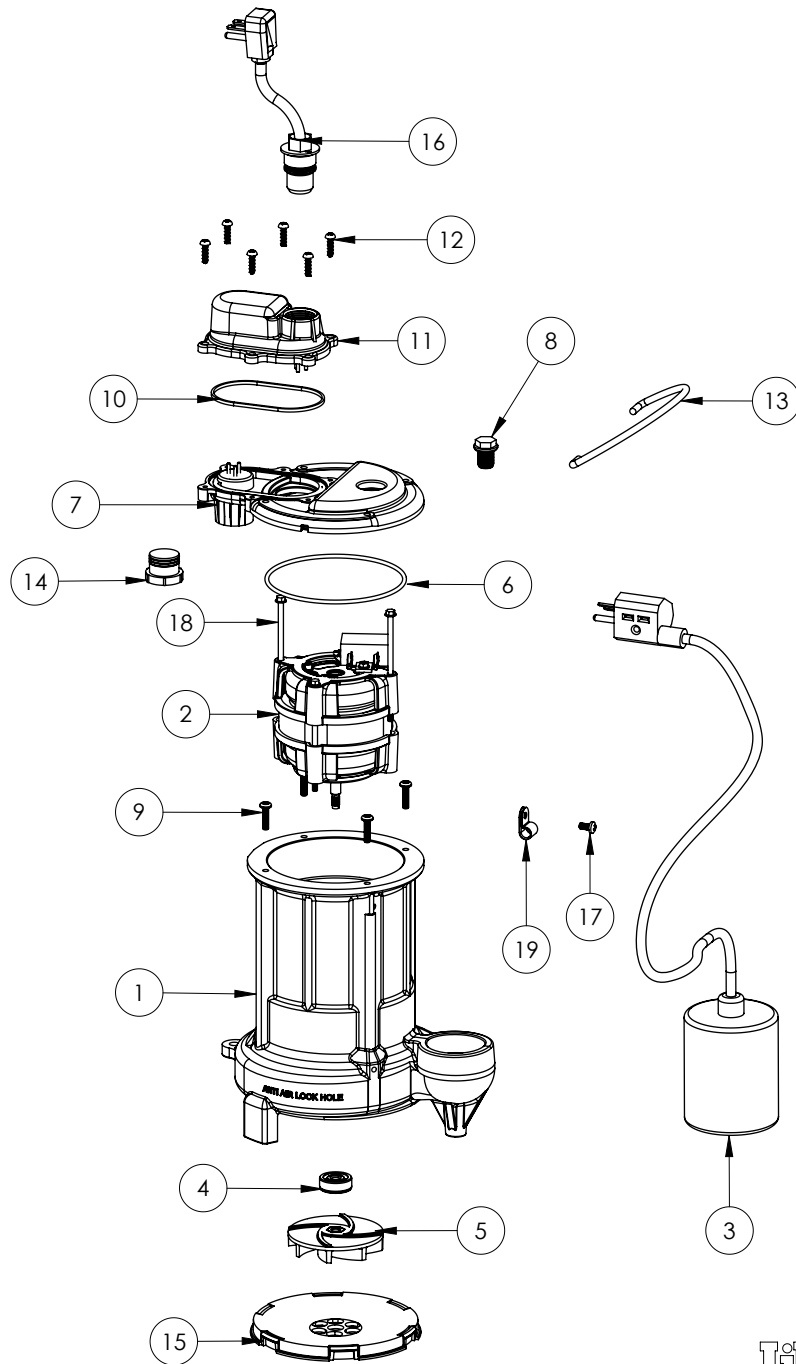
**253HV****253HV (B59)**

#	PART #	DESCRIPTION	QTY	Note
1	25050CJ	CAST IRON HOUSING WITH HOLE FOR SWITCH	1	
2	2421200	MOTOR	1	[1]
3	K001019	61140A0 PUMP SWITCH, 10' 230V, INCLUDES MOUNTING HARDWARE	1	
4	K001254	3043000 5/16" SHAFT SEAL	1	[1]
5	K001331	IMPELLER	1	
6	2357000	O-RING	1	[1]
7	240600B	MOTOR COVER	1	
8	8089000	OIL PLUG, O-RING ASSEMBLY	1	
9	8072000	#10 - 24 x 3/4" SCREW	4	
10	K001046	SEALRING, CHAMBER COVER	1	
11	240700B	CHAMBER COVER	1	
12	8104200	#10 HILO X 5/8" STAINLESS STEEL SCREW	6	
13	K001082	HANDLE	1	
14	8105000	PROTECTIVE CAP	1	
15	2502000	PLASTIC SCREEN	1	
16	K001058	POWER CORD, 10FT. 230V	1	
17	8082000	#10-24 x 3/8 EPOXY LOCK SCREW	1	
18	8153000	#8-32 UNC X 3.5 LG STATOR BOLT	2	[1]
19	8014000	CABLE CLAMP	1	

**PART NOTES:**

[1] - Part requires factory authorized service. Contact Liberty Pumps at 1-800-543-2550

253HV-2 (B59)



**253HV-2****253HV-2 (B59)**

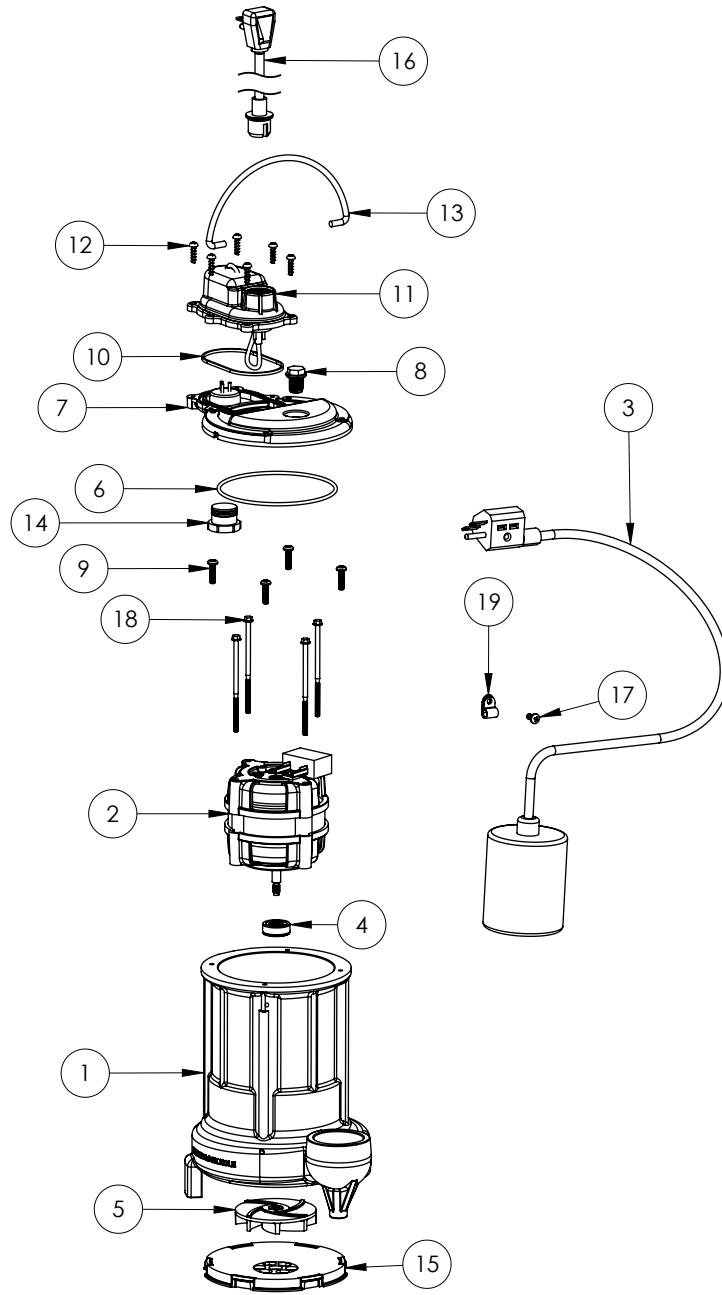
#	PART #	DESCRIPTION	QTY	Note
1	25050CJ	CAST IRON HOUSING WITH HOLE FOR SWITCH	1	
2	2421200	MOTOR	1	[1]
3	K001431	61140B0 PUMP SWITCH, 25' 230V	1	
4	K001254	3043000 5/16" SHAFT SEAL	1	[1]
5	K001331	IMPELLER	1	
6	2357000	O-RING	1	[1]
7	240600B	MOTOR COVER	1	
8	8089000	OIL PLUG, O-RING ASSEMBLY	1	
9	8072000	#10 - 24 x 3/4" SCREW	1	
10	K001046	SEALRING, CHAMBER COVER	1	
11	240700B	CHAMBER COVER	1	
12	8104200	#10 HILO X 5/8" STAINLESS STEEL SCREW	6	
13	K001082	HANDLE	1	
14	8105000	PROTECTIVE CAP	1	
15	2502000	PLASTIC SCREEN	1	
16	K001059	POWER CORD, 230V, 25 FOOT CORD	1	
17	8082000	#10-24 x 3/8 EPOXY LOCK SCREW	1	
18	8153000	#8-32 UNC X 3.5 LG STATOR BOLT	2	[1]
19	8014000	CABLE CLAMP	1	

**PART NOTES:**

[1] - Part requires factory authorized service. Contact Liberty Pumps at 1-800-543-2550

253HV-3

# 253HV-3 (B59)



**253HV-3****253HV-3 (B59)**

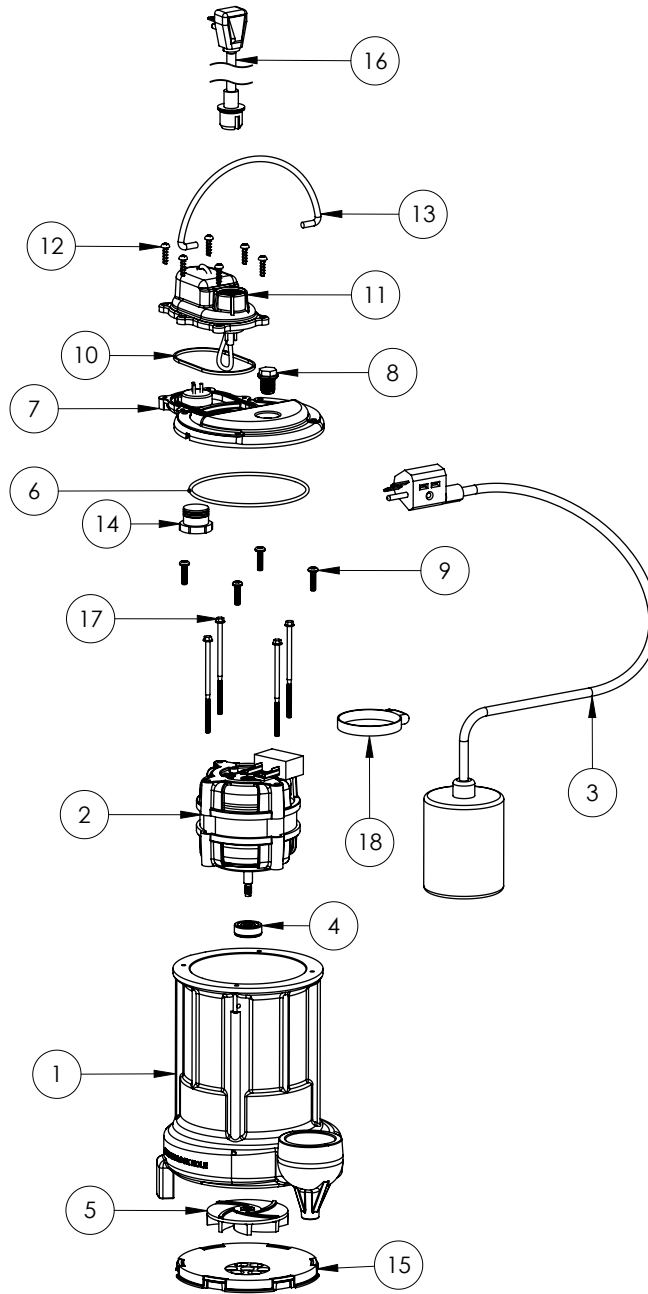
#	PART #	DESCRIPTION	QTY	Note
1	25050CJ	CAST IRON HOUSING WITH HOLE FOR SWITCH	1	
2	2421200	MOTOR	1	[1]
3	K001348	PUMP SWITCH, 35FT.	1	
4	K001254	3043000 5/16" SHAFT SEAL	1	[1]
5	K001331	IMPELLER	1	
6	2357000	O-RING	1	[1]
7	240600B	MOTOR COVER	1	
8	8089000	OIL PLUG, O-RING ASSEMBLY	1	
9	8072000	#10 - 24 x 3/4" SCREW	4	
10	K001046	SEALRING, CHAMBER COVER	1	
11	240700B	CHAMBER COVER	1	
12	8104200	#10 HILO X 5/8" STAINLESS STEEL SCREW	6	
13	K001082	HANDLE	1	
14	8105000	PROTECTIVE CAP	1	
15	2502000	PLASTIC SCREEN	1	
16	K001344	POWER CORD, 35FT.	1	
17	8082000	#10-24 x 3/8 EPOXY LOCK SCREW	1	
18	8153000	#8-32 UNC X 3.5 LG STATOR BOLT	2	[1]
19	8014000	CABLE CLAMP	1	

**PART NOTES:**

[1] - Part requires factory authorized service. Contact Liberty Pumps at 1-800-543-2550

253HV-3X

253HV-3X (B59)



**253HV-3X****253HV-3X (B59)**

#	PART #	DESCRIPTION	QTY	Note
1	25050CJ	CAST IRON HOUSING WITH HOLE FOR SWITCH	1	
2	2421200	MOTOR	1	[1]
3	K001348	PUMP SWITCH, 35FT.	1	
4	K001254	3043000 5/16" SHAFT SEAL	1	[1]
5	K001331	IMPELLER	1	
6	2357000	O-RING	1	[1]
7	240600B	MOTOR COVER	1	
8	8089000	OIL PLUG, O-RING ASSEMBLY	1	
9	8072000	#10 - 24 x 3/4" SCREW	4	
10	K001046	SEALRING, CHAMBER COVER	1	
11	240700B	CHAMBER COVER	1	
12	8104200	#10 HILO X 5/8" STAINLESS STEEL SCREW	6	
13	K001082	HANDLE	1	
14	8105000	PROTECTIVE CAP	1	
15	2502000	PLASTIC SCREEN	1	
16	K001344	POWER CORD, 35FT.	1	
17	8153000	#8-32 UNC X 3.5 LG STATOR BOLT	2	[1]
18	5870000	SWITCH CLAMP	1	

**PART NOTES:**

[1] - Part requires factory authorized service. Contact Liberty Pumps at 1-800-543-2550