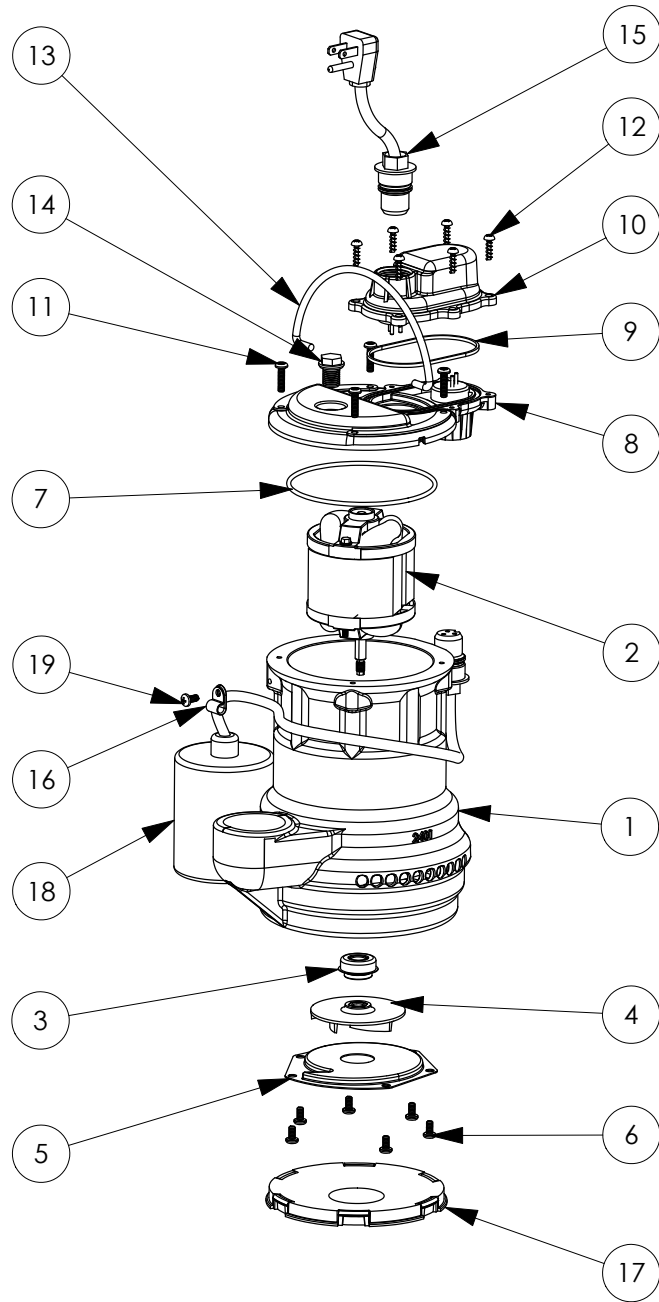


241-2 (B10)



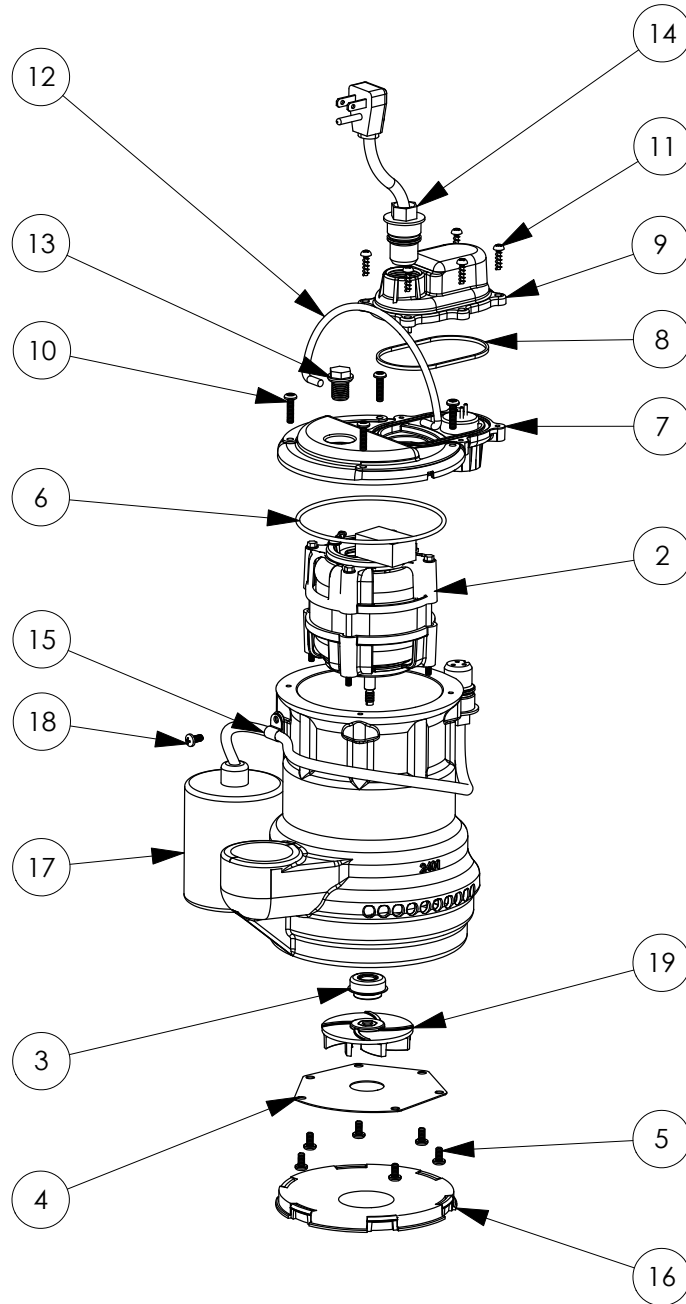
241-2**241-2 (B10)**

#	PART #	DESCRIPTION	QTY	Note
1	24010AG	CAST IRON HOUSING WITH HOLE	1	
2	2404200	MOTOR	1	
3	2309000	5/16 SHAFT SEAL	1	
4	2408000	IMPELLER	1	
5	2403000	INLET STAMPING, STAINLESS STEEL	1	
6	8092000	#10 - 24 x 3/8" SCREW	6	
7	2357000	O-RING	1	[1]
8	240600G	MOTOR COVER, GREY	1	
9	K001046	SEALRING, CHAMBER COVER	1	
10	240700G	CHAMBER COVER, GREY	1	
11	8072000	#10 - 24 x 3/4" SCREW	4	
12	8104200	#10 HILO X 5/8" STAINLESS STEEL SCREW	6	
13	K001082	HANDLE	1	
14	8089000	OIL PLUG, O-RING ASSEMBLY	1	
15	K001008	POWER CORD, 115V, 25 FOOT CORD	1	
16	8014000	CABLE CLAMP	1	
17	25020A0	SOLID BOTTOM PLUG	1	
18	K001080	2405000 MECHANICAL SWITCH W/ QUICKPLUG	1	
19	8082000	#10-24 x 3/8 EPOXY LOCK SCREW	1	

PART NOTES:

[1] - Part requires factory authorized service. Contact Liberty Pumps at 1-800-543-2550

241-2 (B23)



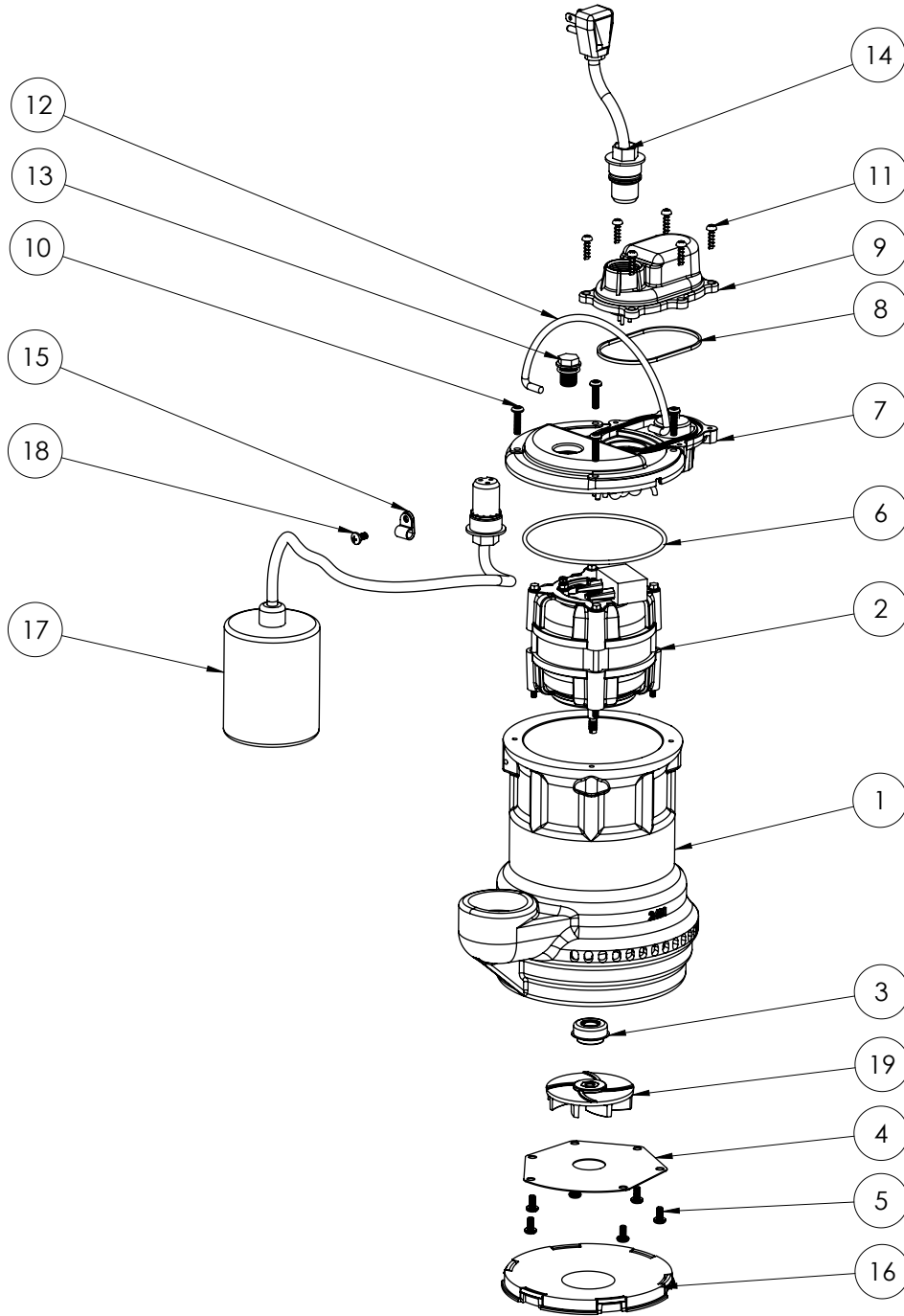
241-2**241-2 (B23)**

#	PART #	DESCRIPTION	QTY	Note
1	2411000	CAST IRON HOUSING	1	
2	2415200	PSC MOTOR	1	[1]
3	2309000	5/16 SHAFT SEAL	1	
4	24030A0	FLAT VOLUTE PLATE	1	
5	8092000	#10 - 24 x 3/8" SCREW	6	
6	2357000	O-RING	1	[1]
7	240600G	MOTOR COVER, GREY	1	
8	K001046	SEALRING, CHAMBER COVER	1	
9	240700G	CHAMBER COVER, GREY	1	
10	8072000	#10 - 24 x 3/4" SCREW	4	
11	8104200	#10 HILO X 5/8" STAINLESS STEEL SCREW	6	
12	K001082	HANDLE	1	
13	8089000	OIL PLUG, O-RING ASSEMBLY	1	
14	K001008	POWER CORD, 115V, 25 FOOT CORD	1	
15	8014000	CABLE CLAMP	1	
16	25020A0	SOLID BOTTOM PLUG	1	
17	K001080	2405000 MECHANICAL SWITCH W/ QUICKPLUG	1	
18	8082000	#10-24 x 3/8 EPOXY LOCK SCREW	1	
19	2416000	IMPELLER	1	

PART NOTES:

[1] - Part requires factory authorized service. Contact Liberty Pumps at 1-800-543-2550

241-2 (B36)



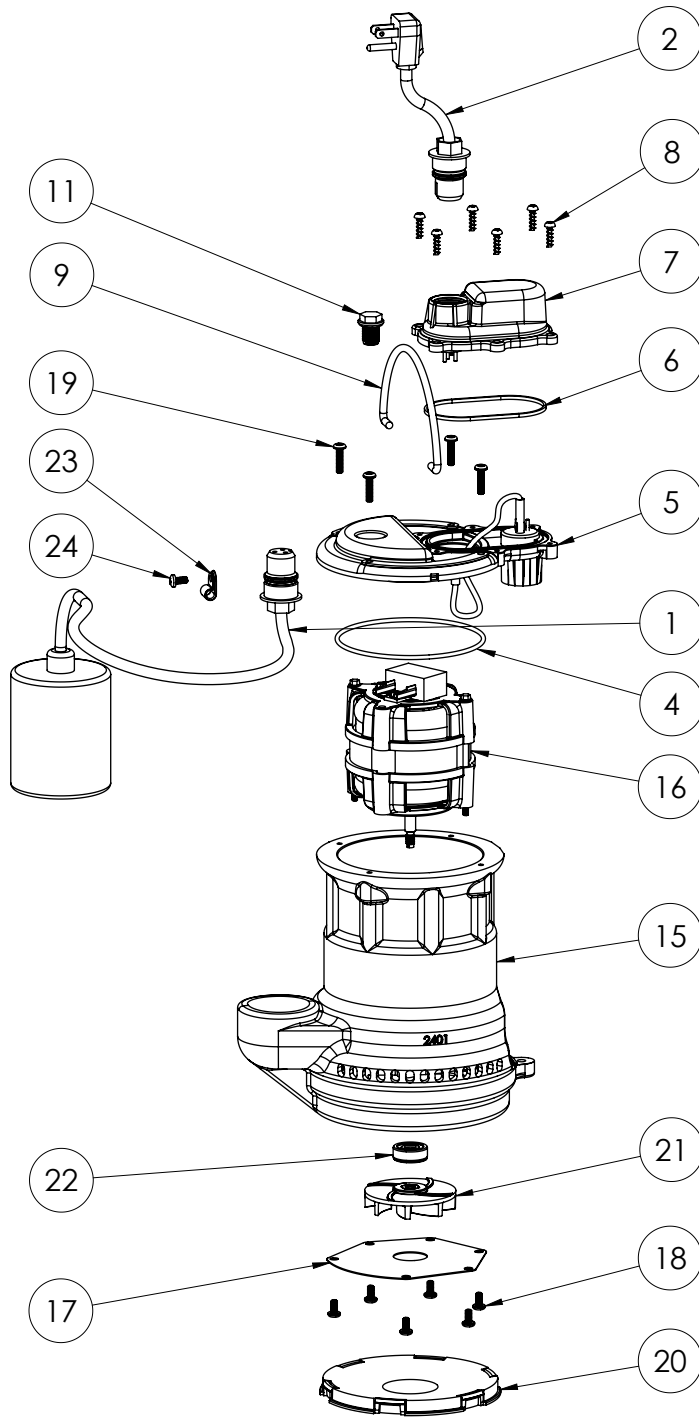
241-2**241-2 (B36)**

#	PART #	DESCRIPTION	QTY	Note
1	24110AJ	CAST IRON HOUSING	1	
2	2415200	PSC MOTOR	1	[1]
3	2309000	5/16 SHAFT SEAL	1	
4	24030A0	FLAT VOLUTE PLATE	1	
5	8092000	#10 - 24 x 3/8" SCREW	6	
6	2357000	O-RING	1	[1]
7	240600G	MOTOR COVER, GREY	1	
8	K001046	SEALRING, CHAMBER COVER	1	
9	240700G	CHAMBER COVER, GREY	1	
10	8072000	#10 - 24 x 3/4" SCREW	4	
11	8104200	#10 HILO X 5/8" STAINLESS STEEL SCREW	6	
12	K001082	HANDLE	1	
13	8089000	OIL PLUG, O-RING ASSEMBLY	1	
14	K001008	POWER CORD, 115V, 25 FOOT CORD	1	
15	8014000	CABLE CLAMP	1	
16	25020A0	SOLID BOTTOM PLUG	1	
17	K001080	2405000 MECHANICAL SWITCH W/ QUICKPLUG	1	
18	8082000	#10-24 x 3/8 EPOXY LOCK SCREW	1	
19	2416000	IMPELLER	1	

PART NOTES:

[1] - Part requires factory authorized service. Contact Liberty Pumps at 1-800-543-2550

241-2 (B59)



241-2 (B59)

#	PART #	DESCRIPTION	QTY	Note
1	K001080	2405000 MECHANICAL SWITCH W/ QUICKPLUG	1	
2	K001008	POWER CORD, 115V, 25 FOOT CORD	1	
4	2357000	O-RING	1	[1]
5	240600G	MOTOR COVER, GREY	1	
6	K001046	SEALRING, CHAMBER COVER	1	
7	240700G	CHAMBER COVER, GREY	1	
8	8104200	#10 HILO X 5/8" STAINLESS STEEL SCREW	6	
9	K001082	HANDLE	1	
11	8089000	OIL PLUG, O-RING ASSEMBLY	1	
15	24230AJ	240 CAST IRON HOUSING	1	
16	2415200	PSC MOTOR	1	[1]
17	24030A0	FLAT VOLUTE PLATE	1	
18	8092000	#10 - 24 x 3/8" SCREW	6	
19	8072000	#10 - 24 x 3/4" SCREW	4	
20	25020A0	SOLID BOTTOM PLUG	1	
21	2416000	IMPELLER	1	
22	K001254	3043000 5/16" SHAFT SEAL	1	[1]
23	8014000	CABLE CLAMP	1	
24	8082000	#10-24 x 3/8 EPOXY LOCK SCREW	1	

PART NOTES:

[1] - Part requires factory authorized service. Contact Liberty Pumps at 1-800-543-2550