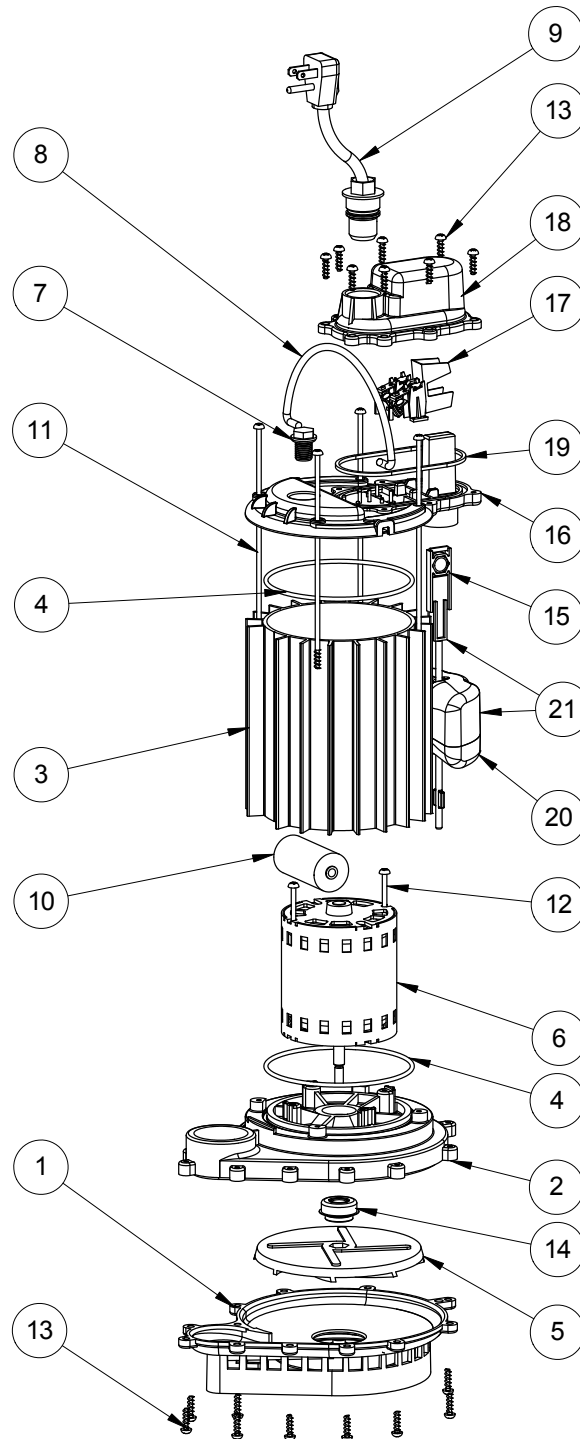


237 (B10)



v

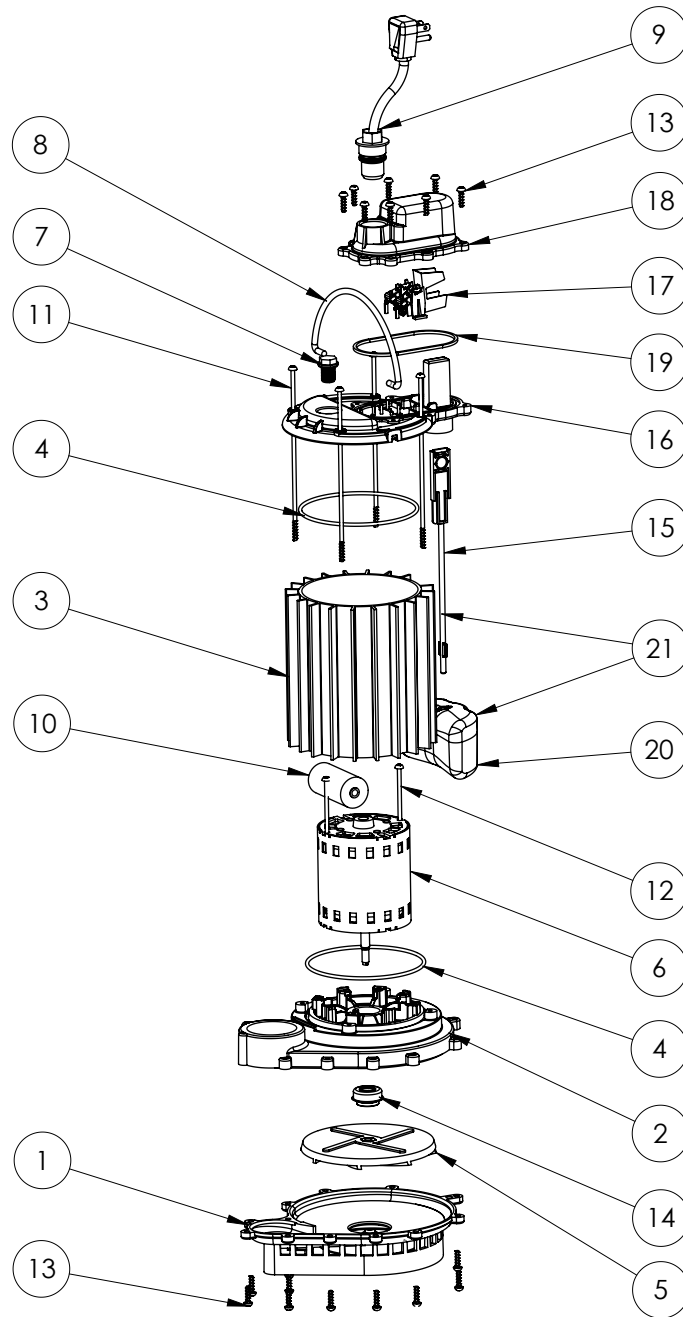
237 (B10)

#	PART #	DESCRIPTION	QTY	Note
1	233600G	BASE WITH VOLUTE ASSEMBLY, GREY	1	
2	233100G	MOTOR SUPPORT PLATE, GREY	1	
3	230700B	MOTOR HOUSING EXTRUDED ALUMINUM	1	
4	2357000	O-RING	2	[1]
5	K001093	IMPELLER	1	
6	2329000	PSC MOTOR	1	
7	8089000	OIL PLUG, O-RING ASSEMBLY	1	
8	K001082	HANDLE	1	
9	K001010	POWER CORD, 115V, 10 FOOT CORD	1	
10	23430E0	CAPACITOR	1	
11	8042200	#10 x 6-1/2 STAINLESS STEEL SCREW	4	[1]
12	8069200	#10 x 4-3/16 POLYFAST SCREW	2	
13	8104200	#10 HILO X 5/8" STAINLESS STEEL SCREW	20	
14	2309000	5/16 SHAFT SEAL	1	
15	2075000	VMF FLOAT ROD	1	[1]
16	206500G	VMF MOTOR COVER GREY	1	
17	K001012	VMF SWITCH	1	
18	K001069	VMF SWITCH COVER, BLACK	1	
19	2072000	SEALRING, SWITCH COVER	1	
20	2362000	VMF FLOAT	1	[1]
21	K001048	VMF FLOAT AND ROD KIT	1	

PART NOTES:

[1] - Part requires factory authorized service. Contact Liberty Pumps at 1-800-543-2550

237 (B31)



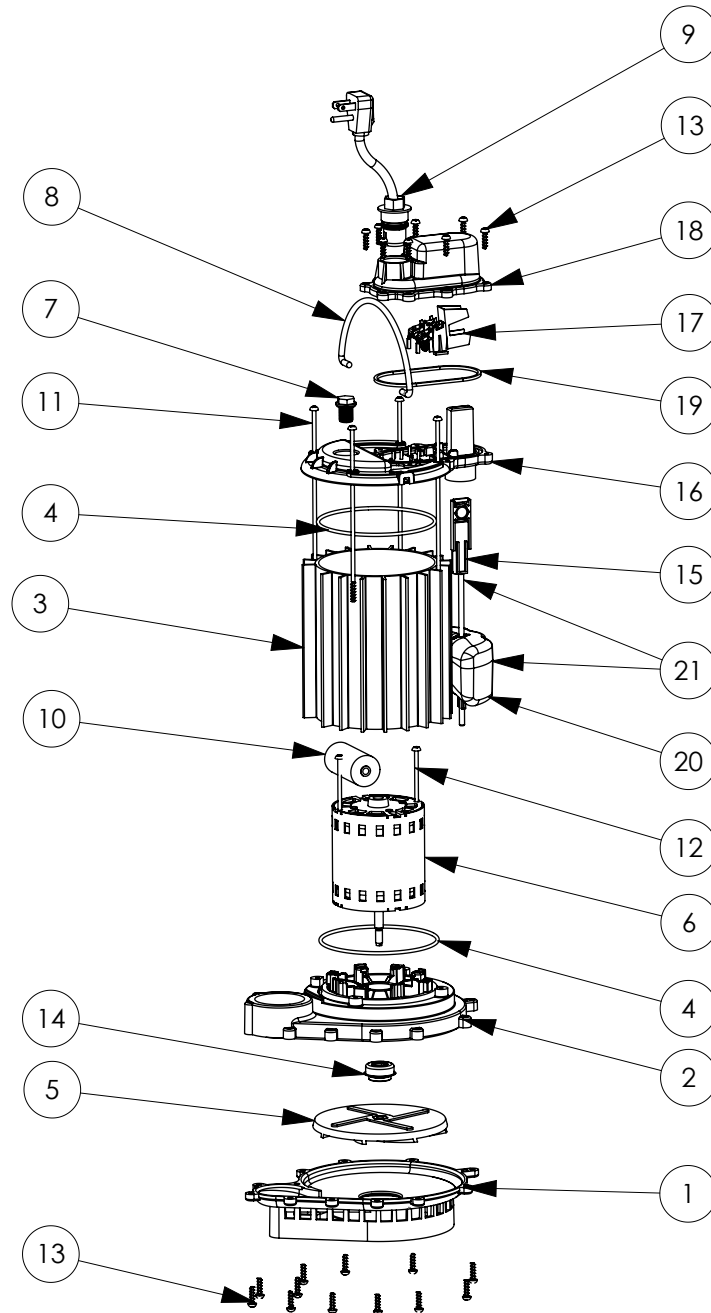
237 (B31)

#	PART #	DESCRIPTION	QTY	Note
1	233600G	BASE WITH VOLUTE ASSEMBLY, GREY	1	
2	23310AG	MOTOR SUPPORT PLATE	1	
3	230700B	MOTOR HOUSING EXTRUDED ALUMINUM	1	
4	2357000	O-RING	2	[1]
5	K001093	IMPELLER	1	
6	2329000	PSC MOTOR	1	
7	8089000	OIL PLUG, O-RING ASSEMBLY	1	
8	K001082	HANDLE	1	
9	K001010	POWER CORD, 115V, 10 FOOT CORD	1	
10	23430E0	CAPACITOR		
11	8042200	#10 x 6-1/2 STAINLESS STEEL SCREW	4	[1]
12	8069200	#10 x 4-3/16 POLYFAST SCREW	2	
13	8104200	#10 HILO X 5/8" STAINLESS STEEL SCREW	20	
14	2309000	5/16 SHAFT SEAL	1	
15	2075000	VMF FLOAT ROD	1	[1]
16	206500G	VMF MOTOR COVER GREY	1	
17	K001012	VMF SWITCH	1	
18	K001069	VMF SWITCH COVER, BLACK	1	
19	2072000	SEALRING, SWITCH COVER	1	
20	2362000	VMF FLOAT	1	[1]
21	K001048	VMF FLOAT AND ROD KIT	1	

PART NOTES:

[1] - Part requires factory authorized service. Contact Liberty Pumps at 1-800-543-2550

237 (B37)



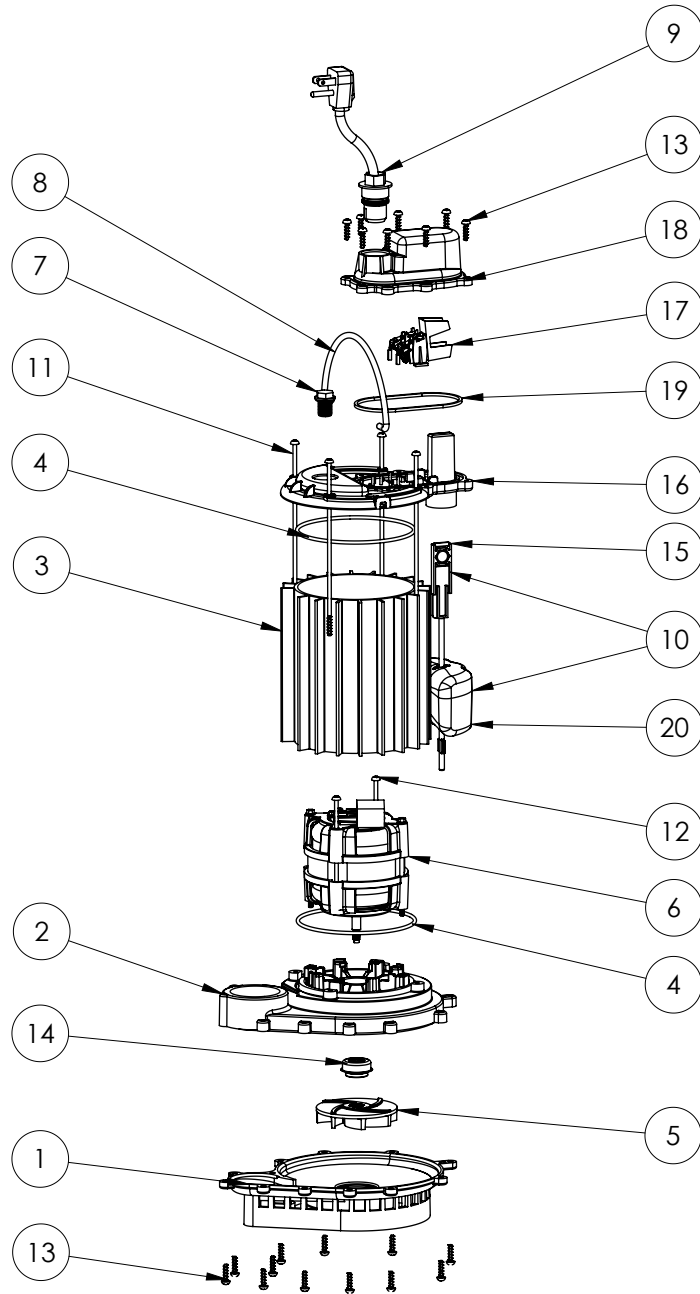
237 (B37)

#	PART #	DESCRIPTION	QTY	Note
1	233600B	BASE WITH VOLUTE ASSEMBLY	1	
2	23310AB	MOTOR SUPPORT PLATE	1	[1]
3	230700S	MOTOR HOUSING	1	
4	2357000	O-RING	2	[1]
5	K001093	IMPELLER	1	
6	2329000	PSC MOTOR	1	
7	8089000	OIL PLUG, O-RING ASSEMBLY	1	
8	K001082	HANDLE	1	
9	K001010	POWER CORD, 115V, 10 FOOT CORD	1	
10	23430E0	CAPACITOR	1	
11	8042200	#10 x 6-1/2 STAINLESS STEEL SCREW	4	[1]
12	8069200	#10 x 4-3/16 POLYFAST SCREW	2	
13	8104200	#10 HILO X 5/8" STAINLESS STEEL SCREW	20	
14	2309000	5/16 SHAFT SEAL	1	
15	2075000	VMF FLOAT ROD	1	[1]
16	206500B	VMF MOTOR COVER, BLACK	1	
17	K001012	VMF SWITCH	1	
18	K001069	VMF SWITCH COVER, BLACK	1	
19	2072000	SEALRING, SWITCH COVER	1	
20	2362000	VMF FLOAT	1	[1]
21	K001048	VMF FLOAT AND ROD KIT	1	

PART NOTES:

[1] - Part requires factory authorized service. Contact Liberty Pumps at 1-800-543-2550

237 (B38)



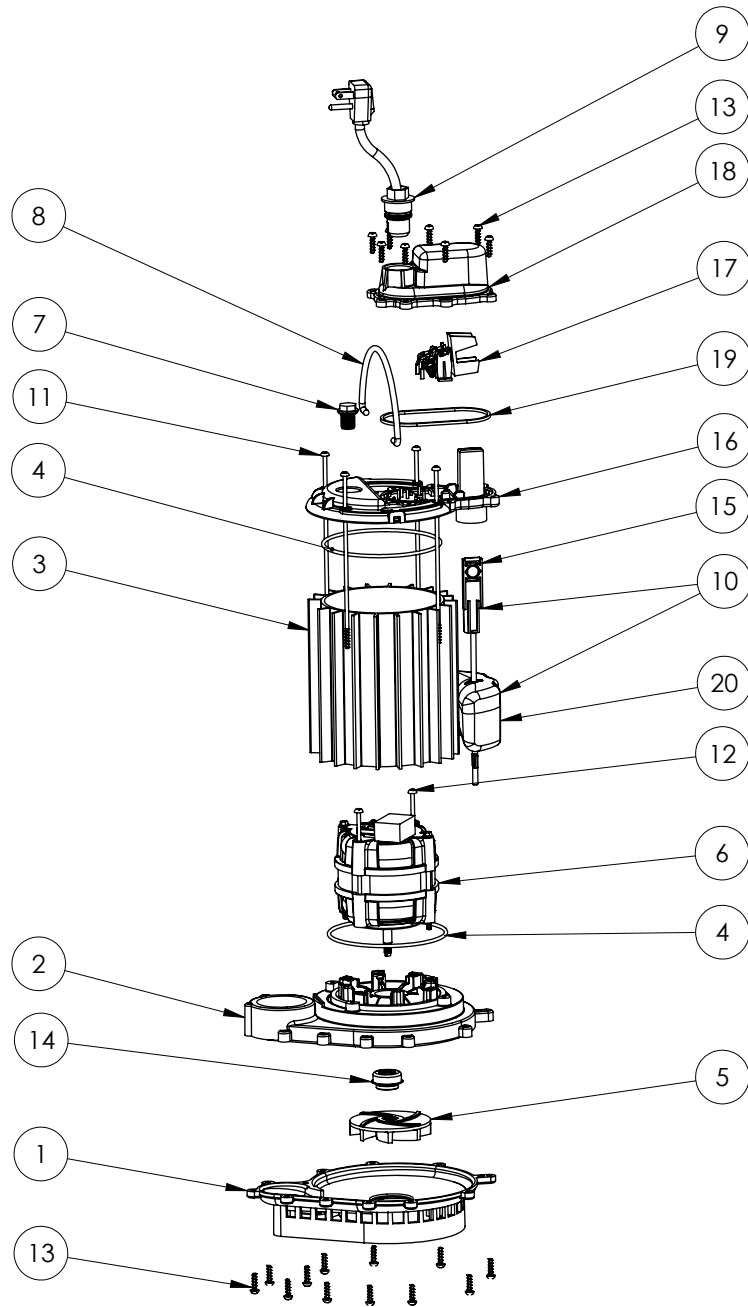
237 (B38)

#	PART #	DESCRIPTION	QTY	Note
1	233600B	BASE WITH VOLUTE ASSEMBLY	1	
2	23310AB	MOTOR SUPPORT PLATE	1	[1]
3	230700S	MOTOR HOUSING	1	
4	2357000	O-RING	2	[1]
5	K001331	IMPELLER	1	
6	2415200	PSC MOTOR	1	[1]
7	8089000	OIL PLUG, O-RING ASSEMBLY	1	
8	K001082	HANDLE	1	
9	K001010	POWER CORD, 115V, 10 FOOT CORD	1	
10	K001048	VMF FLOAT AND ROD KIT	1	
11	8042200	#10 x 6-1/2 STAINLESS STEEL SCREW	4	[1]
12	8149000	#10 x 3-3/4 POLYFAST SCREW	2	[1]
13	8104200	#10 HILO X 5/8" STAINLESS STEEL SCREW	20	
14	K001254	3043000 5/16" SHAFT SEAL	1	[1]
15	2075000	VMF FLOAT ROD	1	[1]
16	206500B	VMF MOTOR COVER, BLACK	1	
17	K001012	VMF SWITCH	1	
18	K001069	VMF SWITCH COVER, BLACK	1	
19	2072000	SEALRING, SWITCH COVER	1	
20	2362000	VMF FLOAT	1	[1]

PART NOTES:

[1] - Part requires factory authorized service. Contact Liberty Pumps at 1-800-543-2550

237 (B51)



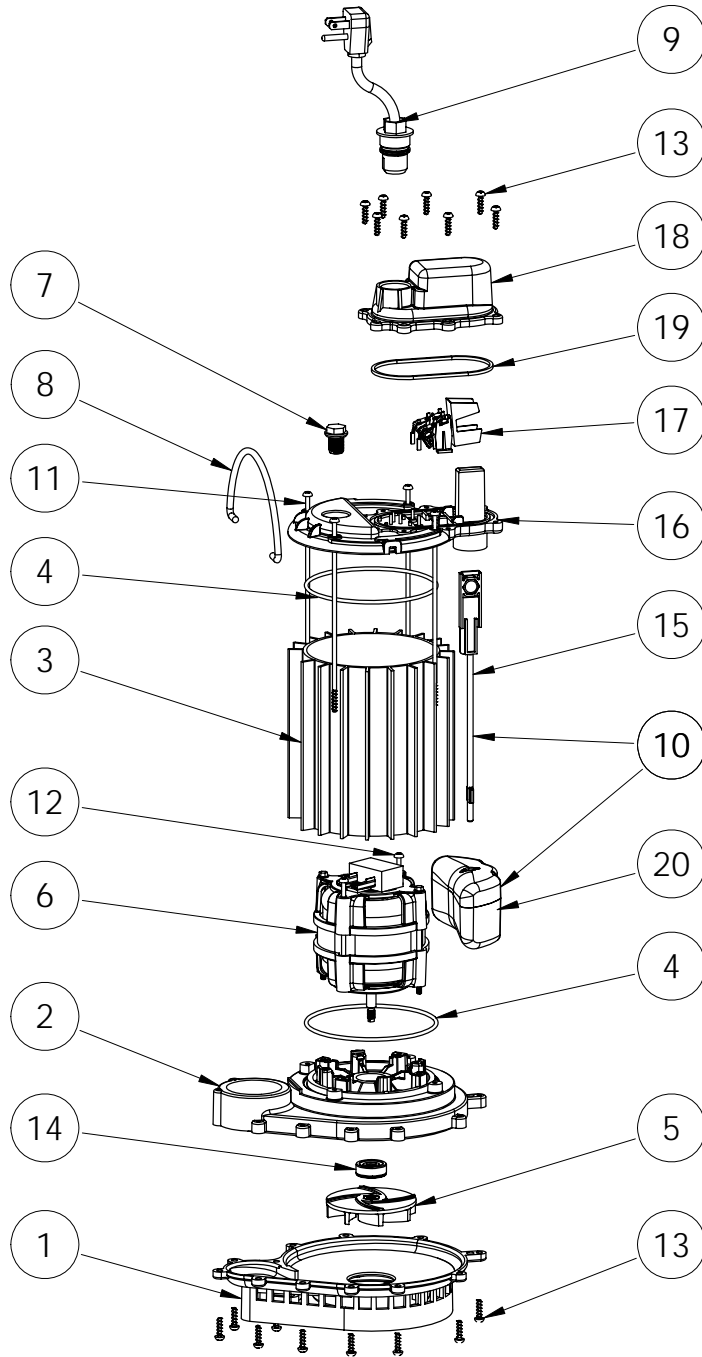
237 (B51)

#	PART #	DESCRIPTION	QTY	Note
1	233600B	BASE WITH VOLUTE ASSEMBLY	1	
2	23310AB	MOTOR SUPPORT PLATE	1	[1]
3	230700S	MOTOR HOUSING	1	
4	2357000	O-RING	2	[1]
5	K001331	IMPELLER	1	
6	2415200	PSC MOTOR	1	[1]
7	8089000	OIL PLUG, O-RING ASSEMBLY	1	
8	K001082	HANDLE	1	
9	K001010	POWER CORD, 115V, 10 FOOT CORD	1	
10	K001048	VMF FLOAT AND ROD KIT	1	
11	8042200	#10 x 6-1/2 STAINLESS STEEL SCREW	4	[1]
12	8149000	#10 x 3-3/4 POLYFAST SCREW	2	[1]
13	8104200	#10 HILO X 5/8" STAINLESS STEEL SCREW	20	
14	K001254	3043000 5/16" SHAFT SEAL	1	[1]
15	2075000	VMF FLOAT ROD	1	[1]
16	206500B	VMF MOTOR COVER, BLACK	1	
17	K001012	VMF SWITCH	1	
18	K001069	VMF SWITCH COVER, BLACK	1	
19	2072000	SEALRING, SWITCH COVER	1	
20	2362000	VMF FLOAT	1	[1]

PART NOTES:

[1] - Part requires factory authorized service. Contact Liberty Pumps at 1-800-543-2550

237 (B59)



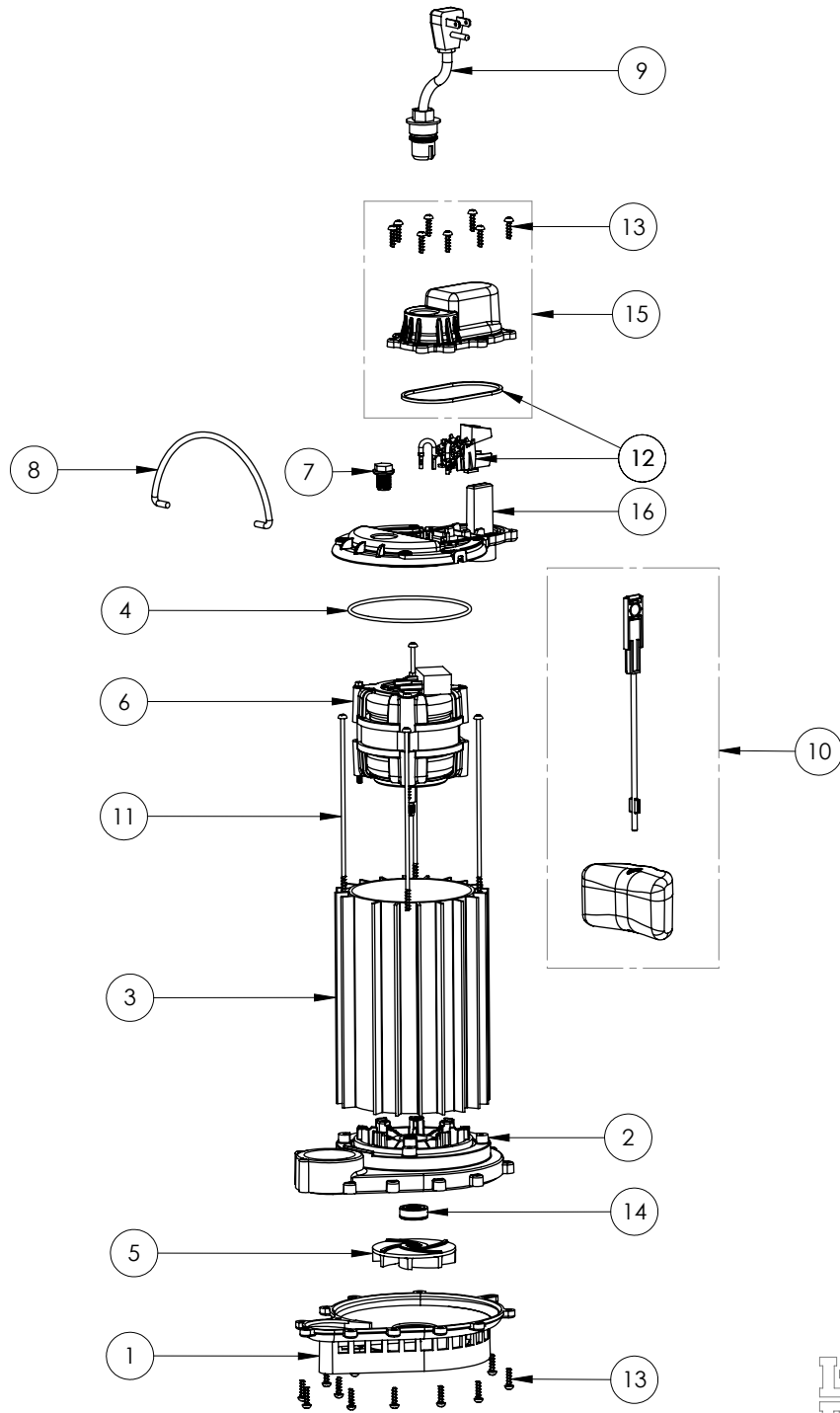
237 (B59)

#	PART #	DESCRIPTION	QTY	Note
1	233600B	BASE WITH VOLUTE ASSEMBLY	1	
2	23310AB	MOTOR SUPPORT PLATE	1	[1]
3	230700S	MOTOR HOUSING	1	
4	2357000	O-RING	2	[1]
5	K001331	IMPELLER	1	
6	2415200	PSC MOTOR	1	[1]
7	8089000	OIL PLUG, O-RING ASSEMBLY	1	
8	K001082	HANDLE	1	
9	K001010	POWER CORD, 115V, 10 FOOT CORD	1	
10	K001048	VMF FLOAT AND ROD KIT	1	
11	8042200	#10 x 6-1/2 STAINLESS STEEL SCREW	4	[1]
12	8149000	#10 x 3-3/4 POLYFAST SCREW	2	[1]
13	8104200	#10 HILO X 5/8" STAINLESS STEEL SCREW	20	
14	K001254	3043000 5/16" SHAFT SEAL	1	[1]
15	2075000	VMF FLOAT ROD	1	[1]
16	206500B	VMF MOTOR COVER, BLACK	1	
17	K001012	VMF SWITCH	1	
18	K001069	VMF SWITCH COVER, BLACK	1	
19	2072000	SEALRING, SWITCH COVER	1	
20	2362000	VMF FLOAT	1	[1]

PART NOTES:

[1] - Part requires factory authorized service. Contact Liberty Pumps at 1-800-543-2550

237 (B60)



237 (B60)

#	PART #	DESCRIPTION	QTY	Note
1	233600B	BASE WITH VOLUTE ASSEMBLY	1	
2	23310AB	MOTOR SUPPORT PLATE	1	[1]
3	230700S	MOTOR HOUSING	1	
5	K001331	IMPELLER	1	
6	2415200	PSC MOTOR	1	[1]
7	8089000	OIL PLUG, O-RING ASSEMBLY	1	
8	K001082	HANDLE	1	
9	K001010	POWER CORD, 115V, 10 FOOT CORD	1	
10	K001048	VMF FLOAT AND ROD KIT	1	
11	8042200	#10 x 6-1/2 STAINLESS STEEL SCREW	4	[1]
12	K001330	VMF SWITCH AND SEALRING KIT	1	
13	8104200	#10 HILO X 5/8" STAINLESS STEEL SCREW	20	
14	K001254	3043000 5/16" SHAFT SEAL	1	[1]
15	K001329	VMF SWITCH COVER KIT	1	
16	207900B	VMF MOTOR COVER	1	[1]

PART NOTES:

[1] - Part requires factory authorized service. Contact Liberty Pumps at 1-800-543-2550