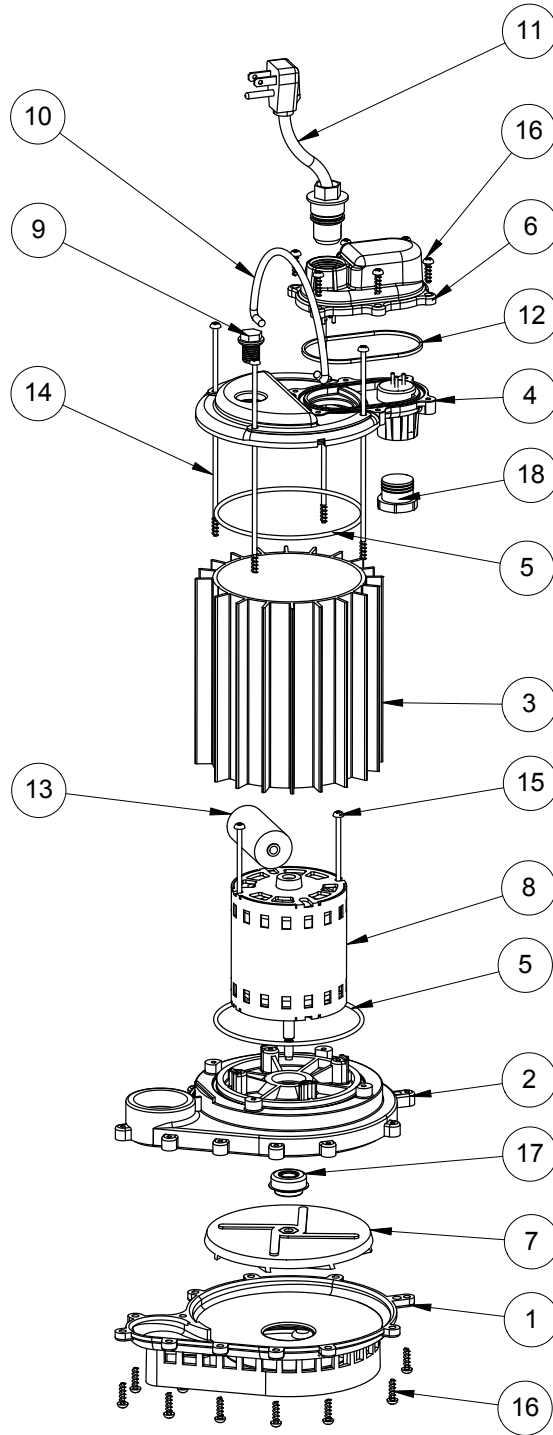


230 (B10)



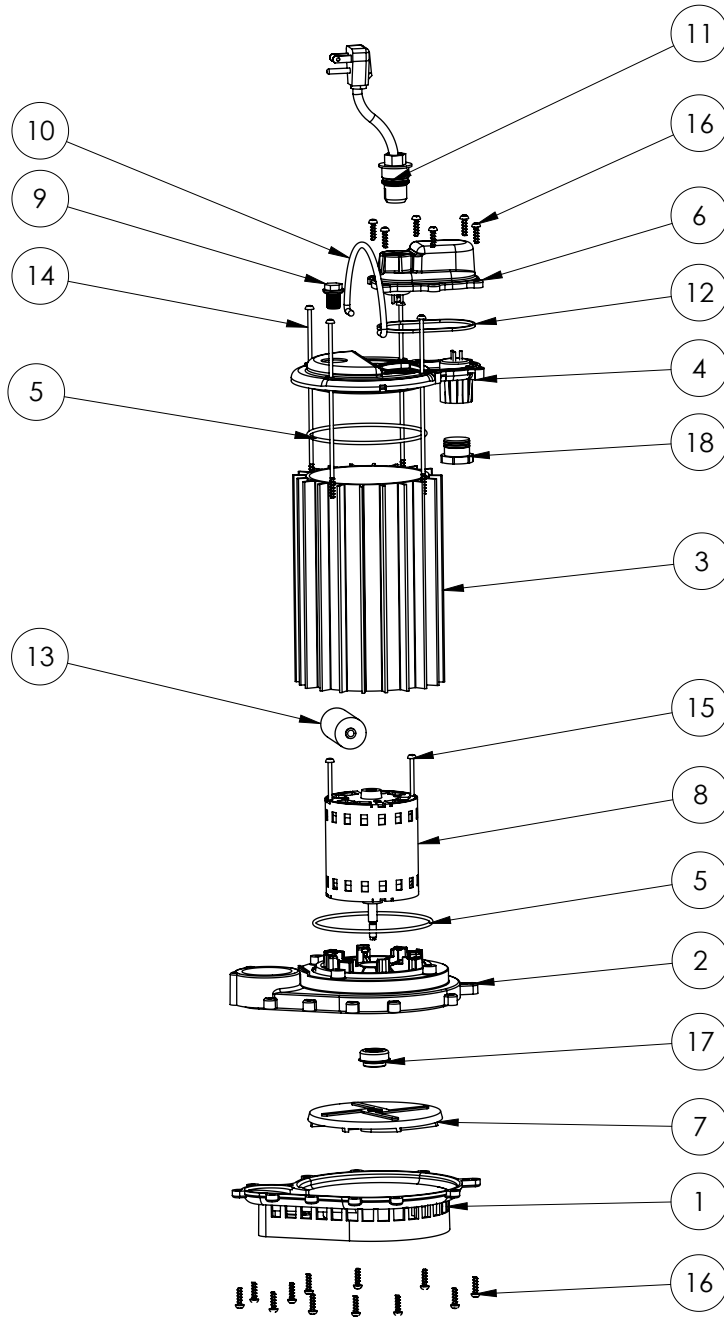
230 (B10)

#	PART #	DESCRIPTION	QTY	Note
1	233600G	BASE WITH VOLUTE ASSEMBLY, GREY	1	
2	233100G	MOTOR SUPPORT PLATE, GREY	1	
3	230700B	MOTOR HOUSING EXTRUDED ALUMINUM	1	
4	240600G	MOTOR COVER, GREY	1	
5	2357000	O-RING	2	[1]
6	240700G	CHAMBER COVER, GREY	1	
7	K001093	IMPELLER	1	
8	2329000	PSC MOTOR	1	
9	8089000	OIL PLUG, O-RING ASSEMBLY	1	
10	K001082	HANDLE	1	
11	K001010	POWER CORD, 115V, 10 FOOT CORD	1	
12	K001046	SEALRING, CHAMBER COVER	1	
13	23430E0	CAPACITOR	1	
14	8042200	#10 x 6-1/2 STAINLESS STEEL SCREW	4	[1]
15	8069200	#10 x 4-3/16 POLYFAST SCREW	2	
16	8104200	#10 HILO X 5/8" STAINLESS STEEL SCREW	18	
17	2309000	5/16 SHAFT SEAL	1	
18	8105000	PROTECTIVE CAP	1	

PART NOTES:

[1] - Part requires factory authorized service. Contact Liberty Pumps at 1-800-543-2550

230 (B31)



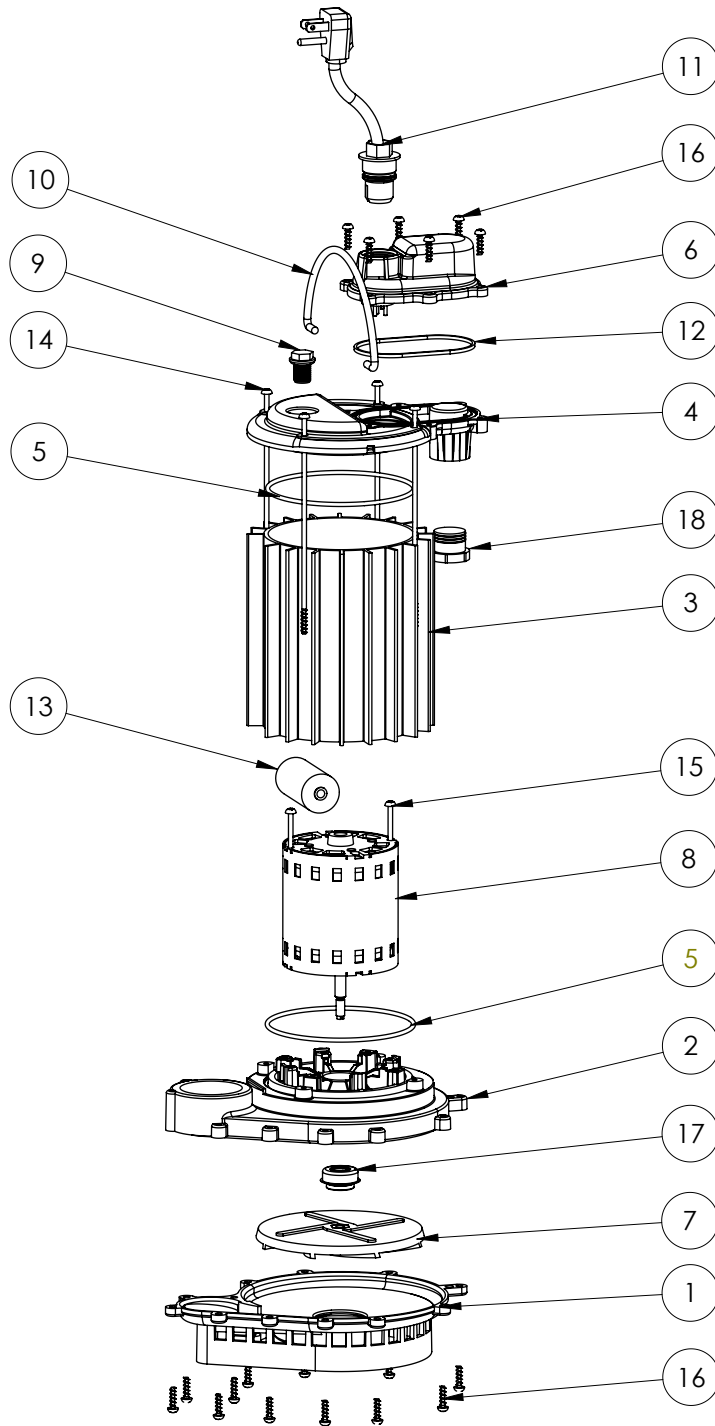
230 (B31)

#	PART #	DESCRIPTION	QTY	Note
1	233600G	BASE WITH VOLUTE ASSEMBLY, GREY	1	
2	23310AG	MOTOR SUPPORT PLATE	1	
3	230700B	MOTOR HOUSING EXTRUDED ALUMINUM	1	
4	240600G	MOTOR COVER, GREY	1	
5	2357000	O-RING	2	[1]
6	240700G	CHAMBER COVER, GREY	1	
7	K001093	IMPELLER	1	
8	2329000	PSC MOTOR	1	
9	8089000	OIL PLUG, O-RING ASSEMBLY	1	
10	K001082	HANDLE	1	
11	K001010	POWER CORD, 115V, 10 FOOT CORD	1	
12	K001046	SEALRING, CHAMBER COVER	1	
13	23430E0	CAPACITOR	1	
14	8042200	#10 x 6-1/2 STAINLESS STEEL SCREW	4	[1]
15	8069200	#10 x 4-3/16 POLYFAST SCREW	2	
16	8104200	#10 HILO X 5/8" STAINLESS STEEL SCREW	18	
17	2309000	5/16 SHAFT SEAL	1	
18	8105000	PROTECTIVE CAP	1	

PART NOTES:

[1] - Part requires factory authorized service. Contact Liberty Pumps at 1-800-543-2550

230 (B37)



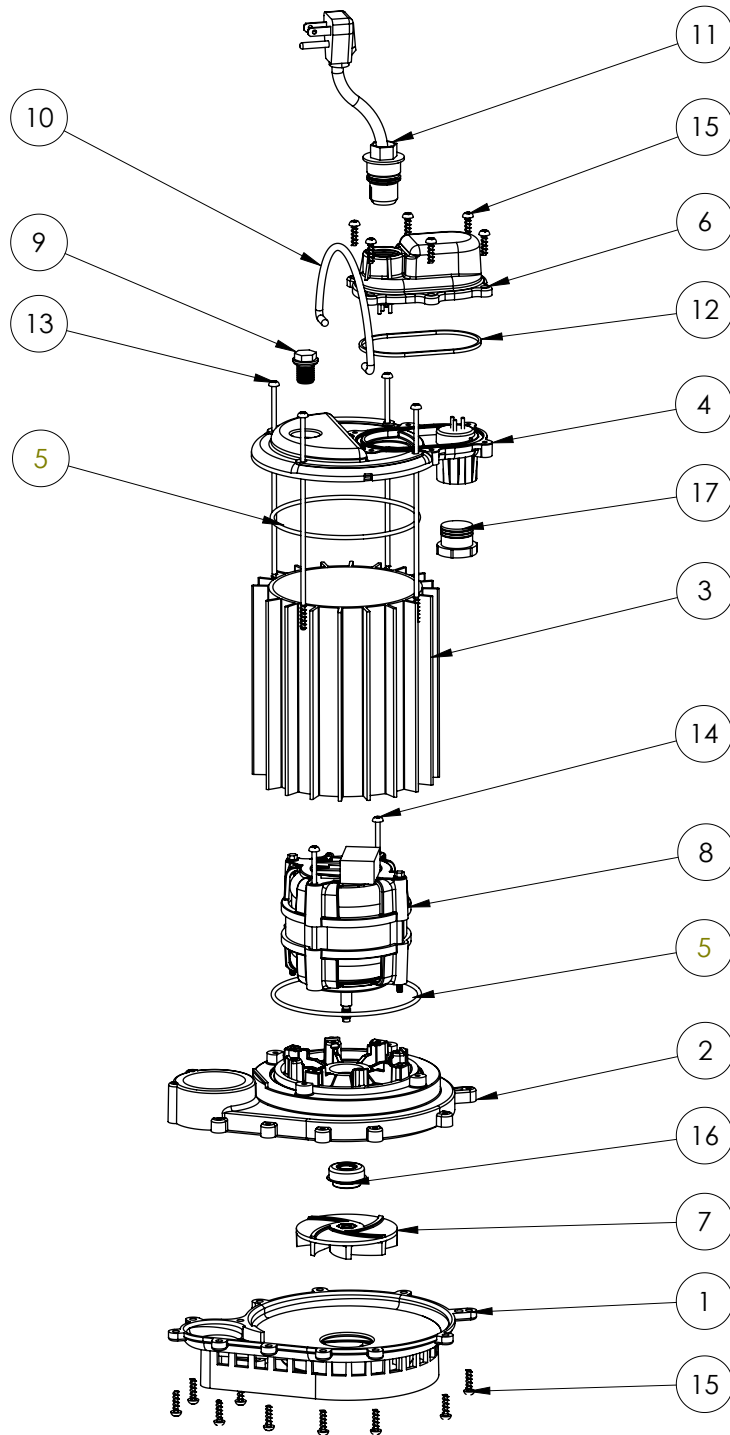
230 (B37)

#	PART #	DESCRIPTION	QTY	Note
1	233600B	BASE WITH VOLUTE ASSEMBLY	1	
2	23310AB	MOTOR SUPPORT PLATE	1	[1]
3	230700S	MOTOR HOUSING	1	
4	240600B	MOTOR COVER	1	
5	2357000	O-RING	2	[1]
6	240700B	CHAMBER COVER	1	
7	K001093	IMPELLER	1	
8	2329200	PSC MOTOR	1	[1]
9	8089000	OIL PLUG, O-RING ASSEMBLY	1	
10	K001082	HANDLE	1	
11	K001010	POWER CORD, 115V, 10 FOOT CORD	1	
12	K001046	SEALRING, CHAMBER COVER	1	
13	23430E0	CAPACITOR	1	
14	8042200	#10 x 6-1/2 STAINLESS STEEL SCREW	4	[1]
15	8069200	#10 x 4-3/16 POLYFAST SCREW	2	
16	8104200	#10 HILO X 5/8" STAINLESS STEEL SCREW	18	
17	2309000	5/16 SHAFT SEAL	1	
18	8105000	PROTECTIVE CAP	1	

PART NOTES:

[1] - Part requires factory authorized service. Contact Liberty Pumps at 1-800-543-2550

230 (B38)



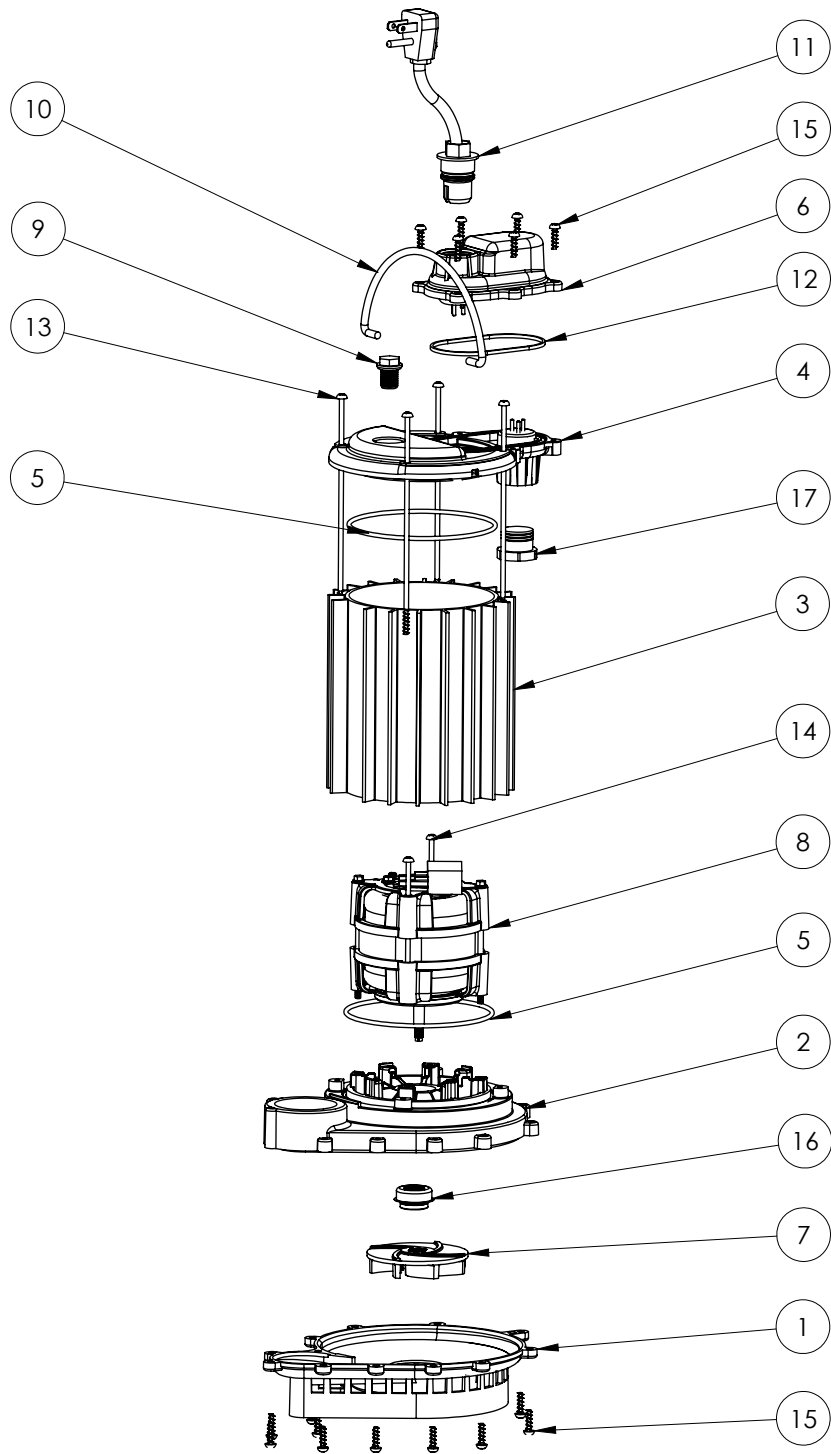
230 (B38)

#	PART #	DESCRIPTION	QTY	Note
1	233600B	BASE WITH VOLUTE ASSEMBLY	1	
2	23310AB	MOTOR SUPPORT PLATE	1	[1]
3	230700S	MOTOR HOUSING	1	
4	240600B	MOTOR COVER	1	
5	2357000	O-RING	2	[1]
6	240700B	CHAMBER COVER	1	
7	K001331	IMPELLER	1	
8	2415200	PSC MOTOR	1	[1]
9	8089000	OIL PLUG, O-RING ASSEMBLY	1	
10	K001082	HANDLE	1	
11	K001010	POWER CORD, 115V, 10 FOOT CORD	1	
12	K001046	SEALRING, CHAMBER COVER	1	
13	8042200	#10 x 6-1/2 STAINLESS STEEL SCREW	4	[1]
14	8149000	#10 x 3-3/4 POLYFAST SCREW	2	[1]
15	8104200	#10 HILO X 5/8" STAINLESS STEEL SCREW	18	
16	2309000	5/16 SHAFT SEAL	1	
17	8105000	PROTECTIVE CAP	1	

PART NOTES:

[1] - Part requires factory authorized service. Contact Liberty Pumps at 1-800-543-2550

230 (B51)



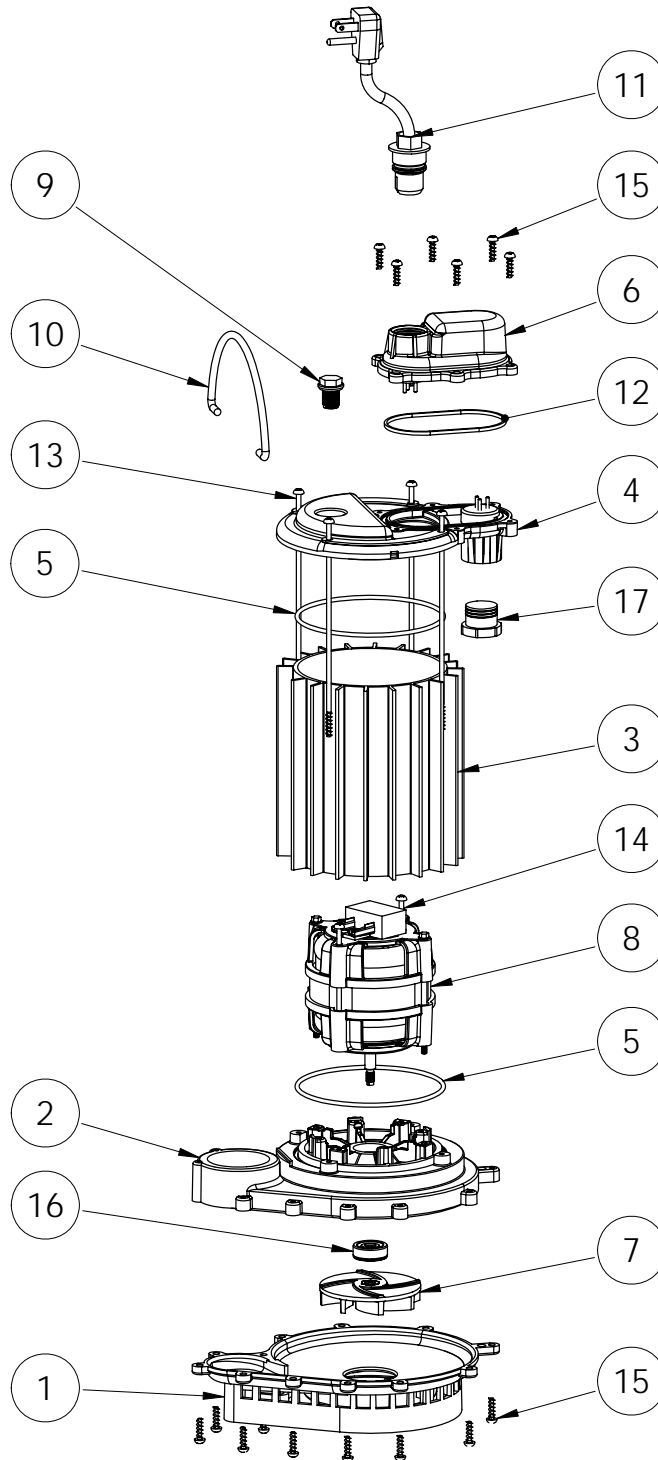
230 (B51)

#	PART #	DESCRIPTION	QTY	Note
1	233600B	BASE WITH VOLUTE ASSEMBLY	1	
2	23310AB	MOTOR SUPPORT PLATE	1	[1]
3	230700S	MOTOR HOUSING	1	
4	240600B	MOTOR COVER	1	
5	2357000	O-RING	2	[1]
6	240700B	CHAMBER COVER	1	
7	K001331	IMPELLER	1	
8	2415200	PSC MOTOR	1	[1]
9	8089000	OIL PLUG, O-RING ASSEMBLY	1	
10	K001082	HANDLE	1	
11	K001010	POWER CORD, 115V, 10 FOOT CORD	1	
12	K001046	SEALRING, CHAMBER COVER	1	
13	8042200	#10 x 6-1/2 STAINLESS STEEL SCREW	4	[1]
14	8149000	#10 x 3-3/4 POLYFAST SCREW	2	[1]
15	8104200	#10 HILO X 5/8" STAINLESS STEEL SCREW	18	
16	2309000	5/16 SHAFT SEAL	1	
17	8105000	PROTECTIVE CAP	1	

PART NOTES:

[1] - Part requires factory authorized service. Contact Liberty Pumps at 1-800-543-2550

230 (B59)



230 (B59)

#	PART #	DESCRIPTION	QTY	Note
1	233600B	BASE WITH VOLUTE ASSEMBLY	1	
2	23310AB	MOTOR SUPPORT PLATE	1	[1]
3	230700S	MOTOR HOUSING	1	
4	240600B	MOTOR COVER	1	
5	2357000	O-RING	2	[1]
6	240700B	CHAMBER COVER	1	
7	K001331	IMPELLER	1	
8	2415200	PSC MOTOR	1	[1]
9	8089000	OIL PLUG, O-RING ASSEMBLY	1	
10	K001082	HANDLE	1	
11	K001010	POWER CORD, 115V, 10 FOOT CORD	1	
12	K001046	SEALRING, CHAMBER COVER	1	
13	8042200	#10 x 6-1/2 STAINLESS STEEL SCREW	4	[1]
14	8149000	#10 x 3-3/4 POLYFAST SCREW	2	[1]
15	8104200	#10 HILO X 5/8" STAINLESS STEEL SCREW	18	
16	K001254	3043000 5/16" SHAFT SEAL	1	[1]
17	8105000	PROTECTIVE CAP	1	

PART NOTES:

[1] - Part requires factory authorized service. Contact Liberty Pumps at 1-800-543-2550