



Submittal Data Information

1900 Series Pumps

301-242

EFFECTIVE: September 21, 2016

SUPERSEDES: May 5, 2016

1760 RPM MODEL 1911

JOB _____ ENGINEER _____

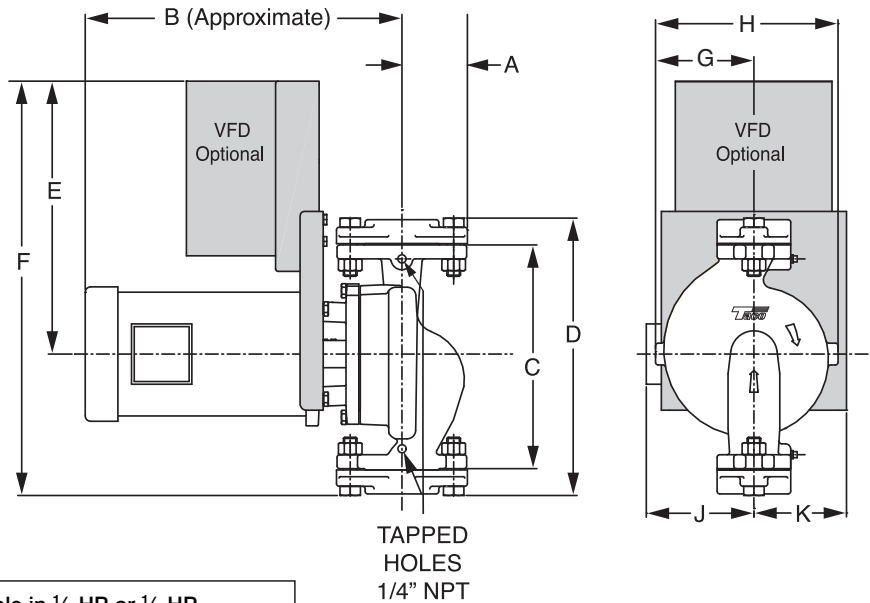
CONTRACTOR _____ REP. _____

ITEM NO.	MODEL NO.	IMPELLER DIA.	G.P.M.	HEAD/FT	H.P.	ELEC. CHAR.
NSF 61 Certified <input type="checkbox"/> Yes <input type="checkbox"/> No	VFD MODEL NO.		OPTION CARD		WEIGHT	

For VFD drive specifications, weights, and options, see the following Taco VFD Submittal Data sheets:

- ATV12 – Taco Submittal No. 301-1891
- ATV212 – Taco Submittal No. 301-1890
- ATV312 – Taco Submittal No. 301-1897

Pump Turn Down Ratio = 4:1
Recommended Minimum Drive Frequency = 15 Hz



*Please note that integral VFD models are not available in 1/4 HP or 1/3 HP.

SIZES & DIMENSIONS:

Model No.	Speed	Flange Size	HP (KW)	Dimensions										Pump Weight Lbs (Kg)	VFD Bracket Weight Lbs (Kg)
				A	B	C	D	E	F	G	H	J	K		
1911	1760 RPM	1 1/2 (38)	1/4* (0.19)	3.00 (76)	14.00 (356)	10.25 (260)	12.88 (327)	14.80 (376)	21.24 (539)	4.52 (115)	8.38 (213)	5.00 (127)	4.25 (108)	60 (27)	10 (5)
			1/3* (0.25)											62 (28)	
			1/2 (0.37)											65 (29)	
			3/4 (0.56)											78 (35)	
			1 (0.75)												

English dimensions are in inches. Metric dimensions are in millimeters. Metric data is presented in (). Do not use for construction purposes unless certified.

SPECIFICATIONS:

MOTORS

1760 RPM, Three Phase 208/230/460V, 60 Hz, Nema 56 C Frame Motors. Also available in Single Phase 115/208/230V. Motors are sealed ball bearing design, and require no maintenance.

BODY

Cast iron with in-line flanged connections. Also available in optional all Stainless Steel (304). Companion flanges included with the pump. NSF61 All-SS models are also available.

IMPELLER

One Piece Cast Stainless Steel (304), Closed, Dynamically Balanced Impeller.

DRIVE

Close Coupled Direct Driven Pump.

SHAFT

Alloy Steel with Cupro Nickel Shaft Sleeve.

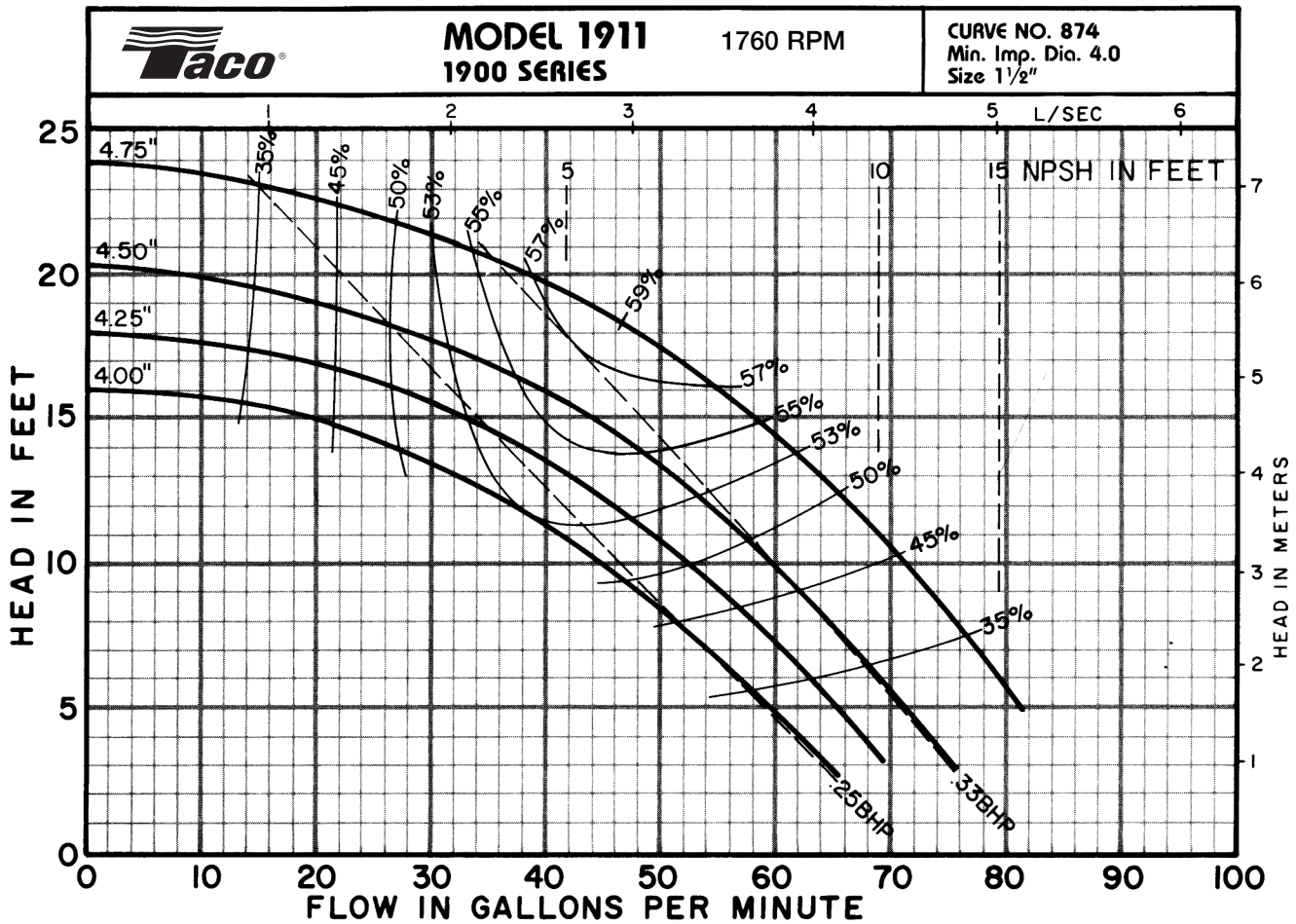
MECHANICAL SEAL

J. Crane Type 21 with carbon rotating element and ceramic stationary seat, with a maximum operating temperature of 250° F (121° C) furnished as standard. Optional "Sealide C" with silicon carbide rotating element and silicon carbide stationary seat is also available for systems with aggressive/glycol fluids, with a maximum operating temperature of 300° F (149° C).

WORKING PRESSURE

175 PSI (1207 kPa) in accordance with ASA B16.1.

NOTE: Pump flanges are tapped for gauges.



VFD SELECTION GUIDE:

Motor HP	Input Voltage				
	Single Phase		3 Phase		
	100V - 120V	200V - 240V	200V - 240V	380V - 480V	525V - 600V
1/2	ATV12H037F1	ATV12H037M2	ATV12H037M3	ATV212H075N4	ATV312H075S6
3/4	ATV12H075F1	ATV12H055M2	ATV212H075M3X		
1		ATV12H075M2			

In order to provide the most efficient pump solution to our customers, Taco is now working with Schneider Electric.

This collaboration brings together Taco's pump technology with Schneider Electric Variable Frequency Drives and the drive packaging of Square D enclosures to offer the best overall pumping solution for our customers.

SQUARE D
 by Schneider Electric

Comments: _____

Taco Comfort Solutions™ A Taco Family Company

Taco, Inc., 1160 Cranston Street, Cranston, RI 02920 | Tel: (401) 942-8000 | FAX: (401) 942-2360

Taco (Canada), Ltd., 8450 Lawson Road, Suite #3, Milton, Ontario L9T 0J8 | Tel: (905) 564-9422 | FAX: (905) 564-9436

Visit our web site: www.TacoComfort.com | Printed in USA | ©2016 Taco, Inc.





Submittal Data Information

1900 Series Pumps

301-250

EFFECTIVE: September 21, 2016

SUPERSEDES: October 15, 2015

3500 RPM MODEL 1911

JOB _____ ENGINEER _____

CONTRACTOR _____ REP. _____

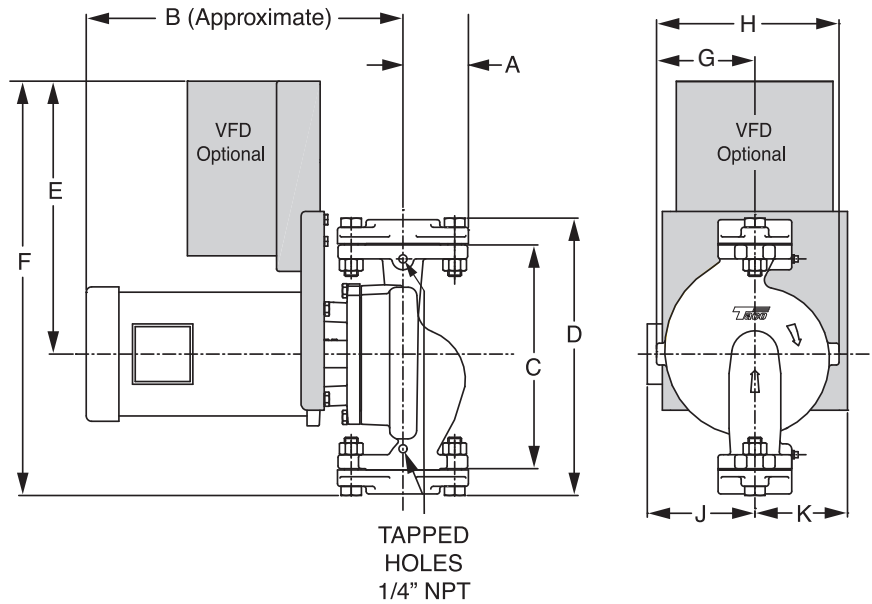
ITEM NO.	MODEL NO.	IMPELLER DIA.	G.P.M.	HEAD/FT	H.P.	ELEC. CHAR.
NSF 61 Certified <input type="checkbox"/> Yes <input type="checkbox"/> No	VFD MODEL NO.		OPTION CARD		WEIGHT	

For VFD drive specifications, weights, and options, see the following Taco VFD Submittal Data sheets:

- ATV12 – Taco Submittal No. 301-1891
- ATV212 – Taco Submittal No. 301-1890
- ATV312 – Taco Submittal No. 301-1897

Pump Turn Down Ratio = 4:1

Recommended Minimum Drive Frequency = 15 Hz



SIZES & DIMENSIONS:

Model No.	Speed	Flange Size	HP (KW)	Dimensions										Pump Weight Lbs (Kg)	VFD Bracket Weight Lbs (Kg)
				A	B	C	D	E	F	G	H	J	K		
1911	3500 RPM	1½ (38)	1½ (1.12)	3.00 (76)	15.50 (394)	10.25 (260)	12.88 (327)	14.80 (376)	21.24 (539)	4.52 (115)	8.38 (213)	5.00 (127)	4.25 (108)	60 (27)	10 (5)
			2 (1.50)									67 (30)			
			3 (2.25)									76 (34)			
			5 (3.75)									103 (47)			

English dimensions are in inches. Metric dimensions are in millimeters. Metric data is presented in (). Do not use for construction purposes unless certified.

SPECIFICATIONS:

MOTORS

3500 RPM, Three Phase 208/230/460V, 60 Hz, Nema 56 C Frame Motors. Also available in Single Phase 115/208/230V. Motors are sealed ball bearing design, and require no maintenance.

BODY

Cast iron with in-line flanged connections. Also available in optional all Stainless Steel (304). Companion flanges included with the pump. NSF61 All-SS models are also available.

IMPELLER

One Piece Cast Stainless Steel (304), Closed, Dynamically Balanced Impeller.

DRIVE

Close Coupled Direct Driven Pump.

SHAFT

Alloy Steel with Cupro Nickel Shaft Sleeve.

MECHANICAL SEAL

J. Crane Type 21 with carbon rotating element and ceramic stationary seat, with a maximum operating temperature of 250° F (121° C) furnished as standard. Optional "Sealide C" with silicon carbide rotating element and silicon carbide stationary seat is also available for systems with aggressive/glycol fluids, with a maximum operating temperature of 300° F (149° C).

WORKING PRESSURE

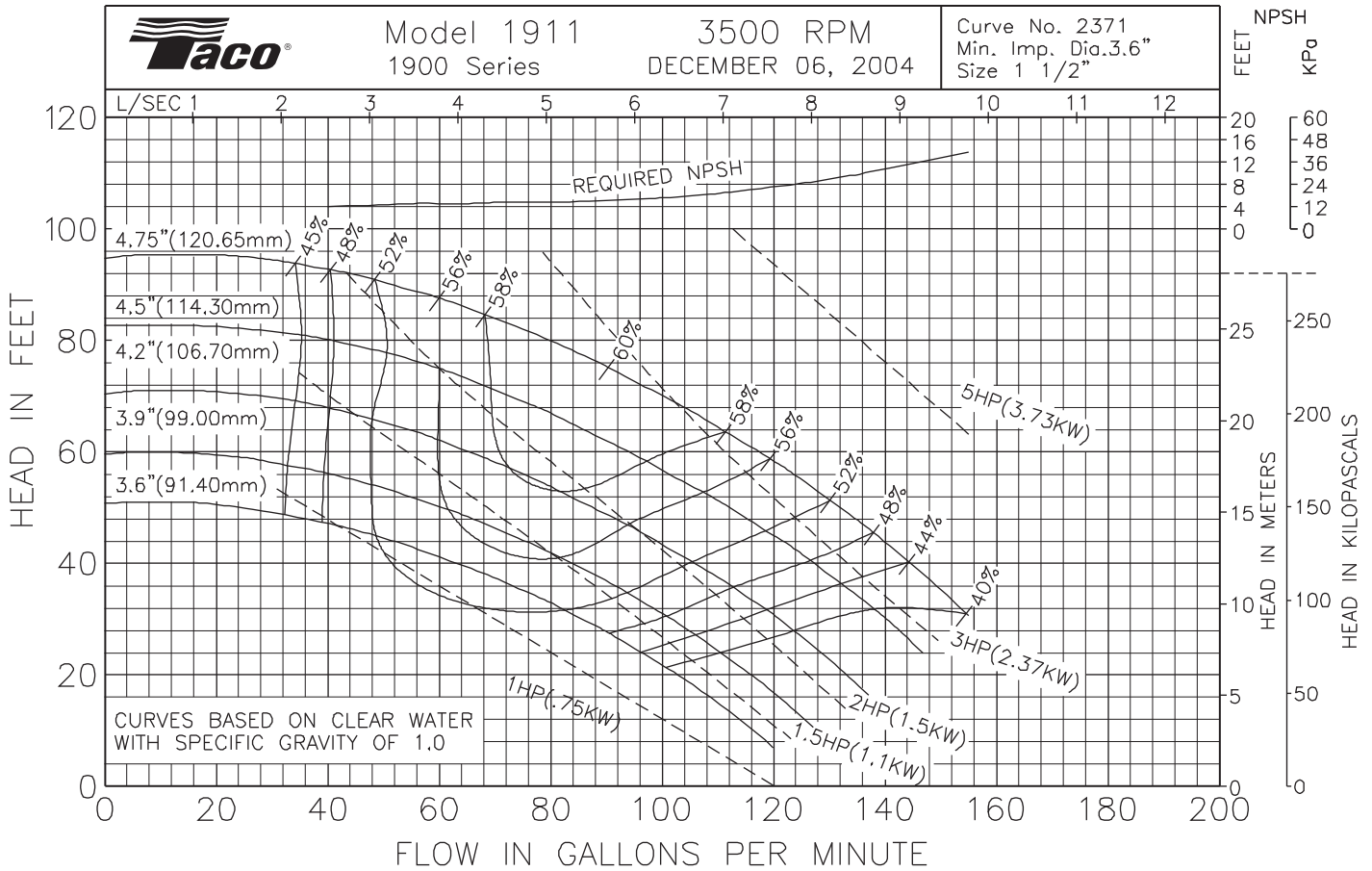
175 PSI (1207 kPa) in accordance with ASA B16.1.

NOTE: Pump flanges are tapped for gauges.



Model 1911 3500 RPM
1900 Series DECEMBER 06, 2004

Curve No. 2371
Min. Imp. Dia. 3.6"
Size 1 1/2"



VFD SELECTION GUIDE:

Motor HP	Input Voltage				
	Single Phase		3 Phase		
	100V - 120V	200V - 240V	200V - 240V	380V - 480V	525V - 600V
1.5	N/A	ATV12HU15M2	ATV212HU15M3X	ATV212HU15N4	ATV312HU15S6
2		ATV12HU22M2	ATV212HU22M3X	ATV212HU22N4	ATV312HU22S6
3		N/A	ATV212HU40M3X	ATV212HU40N4	ATV312HU40S6
5					



In order to provide the most efficient pump solution to our customers, Taco is now working with Schneider Electric.

This collaboration brings together Taco's pump technology with Schneider Electric Variable Frequency Drives and the drive packaging of Square D enclosures to offer the best overall pumping solution for our customers.



by Schneider Electric

Comments:



Taco, Inc., 1160 Cranston Street, Cranston, RI 02920 | Tel: (401) 942-8000 | FAX: (401) 942-2360

Taco (Canada), Ltd., 8450 Lawson Road, Suite #3, Milton, Ontario L9T 0J8 | Tel: (905) 564-9422 | FAX: (905) 564-9436

Visit our web site: www.TacoComfort.com | Printed in USA | ©2016 Taco, Inc.

