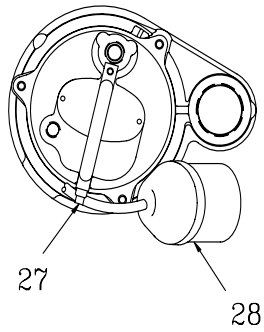
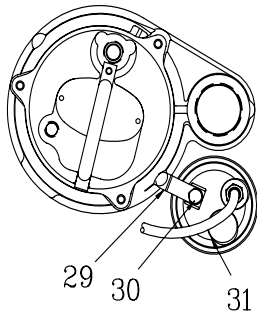


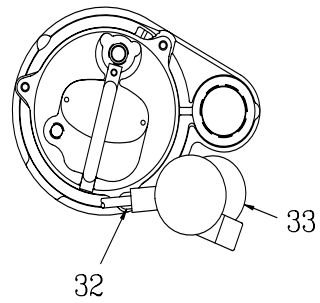
# SW/SD/VS33 & 50 Parts List



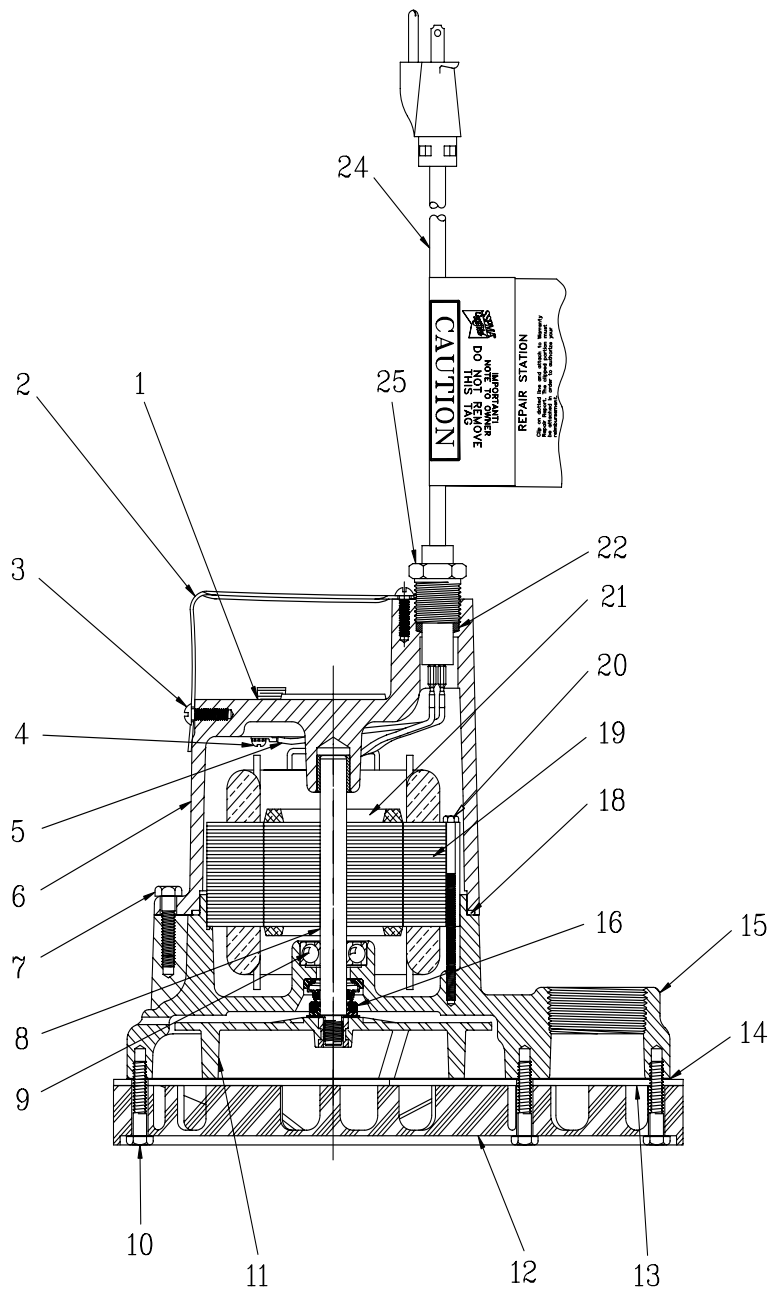
SW33 & 50



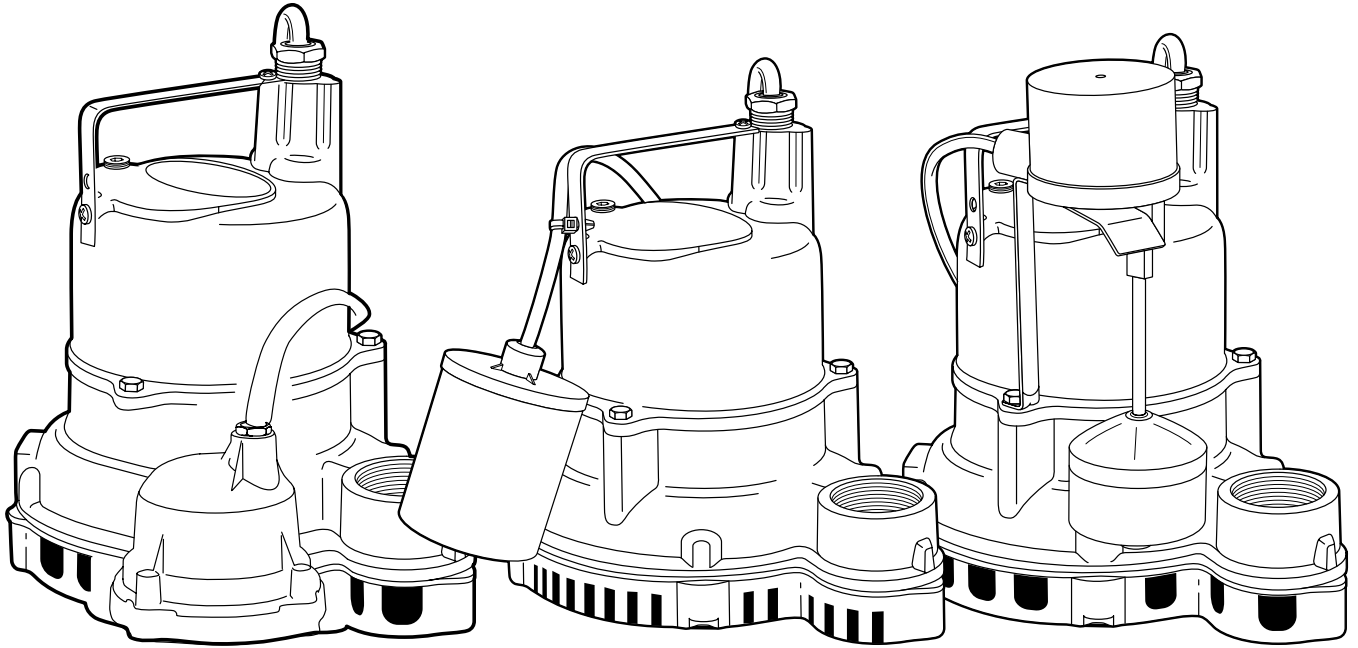
SD33 & 50



VS33 & 50



# SW/SD/VS33 & 50 Parts List



Ref. No.	Description	Part No.	Qty.	Ref. No.	Description	Part No.	Qty.
1	PLUG – PIPE	14981-001-1	1		STATOR (1/2 HP)	14591-001-1	1
2	HANDLE – PUMP	8522-006-1	1	20	SCREW – HEX #8-32 x 3”	145-009-1	2
3	SCREW – QUADREX #10-24 x 3/8”	14770-006-1	2	21	ROTOR (1/3 HP)	14590-010-1	1
4	SCREW – QUADREX #8-32 x 5/16”	14770-001-1	1	-	ROTOR (1/2 HP)	14591-010-1	1
5	WIRE W/ TERMINAL	6000-053-1	1	22	SEAL – RING	139-014-1	1
6	HOUSING – MOTOR	8507-013-5	1	24	CORD – POWER – 10’	14623-010-1	1
7	SCREW – HHC 1/4-20 x 3/4”	176-005-1	3	-	CORD – POWER – 20’	14623-020-1	1
8	SHAFT	5482-001-1	1	25	NUT – CORD	75-005-1	1
9	BRG.	65-024-1	1	27	TIE – PUSH MOUNT	1055-001-1	1
10	SCREW – MACH 10-24 x 1-1/4” (1/3 HP)	27592C001	5	28	SWITCH – FLOAT (10’ CORD)	13967-010-1	1
-	SCREW – HHC 1/4-20 x 1-1/4” (1/2 HP)	176-007-1	7	-	SWITCH – FLOAT (20’ CORD)	13967-020-1	1
11	IMPELLER (1/3 HP)	8498-003-1	1	29	BRACKET (1/3 HP)	5502-011-1	1
-	IMPELLER (1/2 HP)	14577-000-1	1	-	BRACKET (1/2 HP)	5502-005-1	1
12	BASE – STRAINER (1/3 HP)	8520-002-1	1	30	SCREW – 1/4-20 x 3/8”	11455-003-1	1
-	BASE – STRAINER (1/2 HP)	8520-003-1	1	31	SWITCH – DIAPHRAGM (10’ CORD)	DPS41 10	1
13	PLATE – SUCTION (1/3 HP)	8521-002-1	1	-	SWITCH – DIAPHRAGM (20’ CORD)	DPS41 20	1
-	PLATE – SUCTION (1/2 HP)	8521-003-1	1	32	BRACKET	13871-000-1	1
14	GASKET – FIBER ((1/2 HP ONLY)	14828-000-1	1	33	SWITCH – VERT. (10’ CORD)	VMSP1 10	1
15	CASE – VOLUTE (1/3 HP)	8504-002-1	1	-	SWITCH - VERT. (20’ CORD) for 1/3 HP models	VMSP1 20	1
-	CASE – VOLUTE (1/2 HP)	8504-005-2	1				
16	SEAL – SHAFT ROT.	21607A001	1				
18	SEAL – RING	149-001-1	1				
19	STATOR (1/3 HP)	14590-001-1	1				