

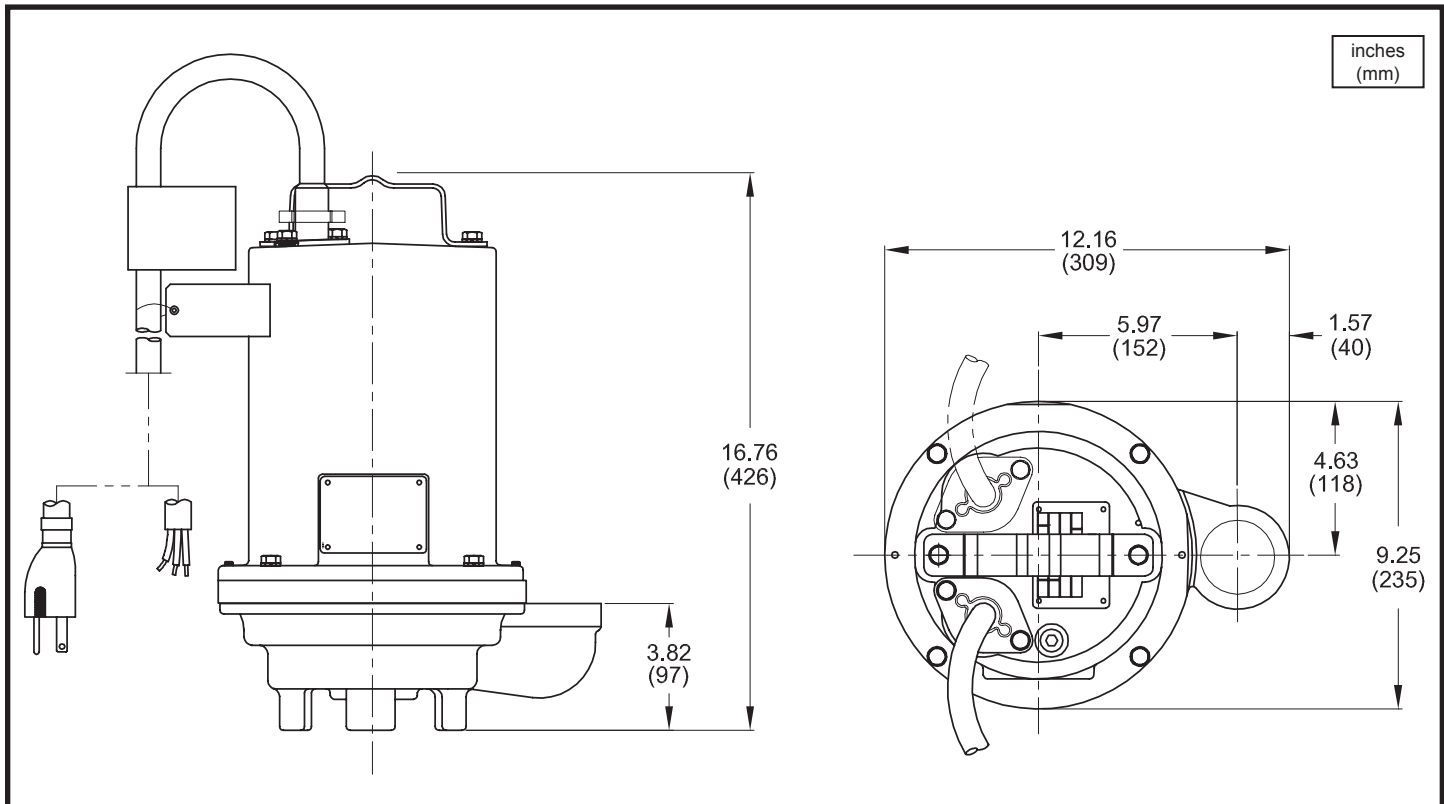
Series STEP-SS

3/4" Spherical Solids Handling
Single Seal

BARNES®

www.cranepumps.com

Submersible Effluent Pumps



MODEL NO	PART NO	HP	VOLT/PH	Hz	RPM (Nom)	NEMA START CODE	FULL LOAD AMPS	LOCKED ROTOR AMPS	CORD SIZE	CORD TYPE	CORD O.D inch (mm)
STEP512SS	105045	0.5	120/1	60	3450	G	11.9	24.6	14/3	SJTOW	0.375 (9.5)
STEP512SSA	105045A	0.5	120/1	60	3450	G	11.9	24.6	14/3	SJTOW	0.375 (9.5)
STEP522SS	105046	0.5	240/1	60	3450	E	5.1	10.2	14/3	SOW	0.530 (13.5)
STEP592SS	105047	0.5	200/240/3	60	3450	P/R	4.5/4.5	19.9/18.4	14/4	SOW	0.570 (14.5)
STEP542SS	105048	0.5	480/3	60	3450	R	2.2	9.1	14/4	SOW	0.570 (14.5)
STEP552SS	105049	0.5	600/3	60	3450	T	1.8	8.7	14/4	SOW	0.570 (14.5)
STEP1022SS	105054	1.0	240/1	60	3450	F	8.3	21.8	14/3	SOW	0.530 (13.5)
STEP1092SS	105055	1.0	200/240/3	60	3450	H/J	5.9/5.6	19.9/18.4	14/4	SOW	0.570 (14.5)
STEP1042SS	105056	1.0	480/3	60	3450	J	2.8	9.1	14/4	SOW	0.570 (14.5)
STEP1052SS	105057	1.0	600/3	60	3450	L	2.2	8.7	14/4	SOW	0.570 (14.5)

OPTIONAL - Temperature sensor cord for 3 phase models is 14/3 SOW, .530 (13.5mm) O.D.

IMPORTANT !

- 1.) PUMP MAY BE OPERATED "DRY" FOR EXTENDED PERIODS WITHOUT DAMAGE TO MOTOR AND/OR SEALS.
- 2.) THIS PUMP IS NOT APPROPRIATE FOR THOSE APPLICATIONS SPECIFIED AS CLASS I DIVISION I HAZARDOUS LOCATIONS.
- 3.) INSTALLATIONS SUCH AS DECORATIVE FOUNTAINS OR WATER FEATURES PROVIDED FOR VISUAL ENJOYMENT MUST BE INSTALLED IN ACCORDANCE WITH THE NATIONAL ELECTRIC CODE ANSI/NFPA 70 AND/OR THE AUTHORITY HAVING JURISDICTION. THIS PUMP IS NOT INTENDED FOR USE IN SWIMMING POOLS, RECREATIONAL WATER PARKS, OR INSTALLATIONS IN WHICH HUMAN CONTACT WITH PUMPED MEDIA IS A COMMON OCCURRENCE.

SECTION 3A
PAGE 2
DATE 6/13

CRANE
A Crane Co. Company

PUMPS & SYSTEMS

USA: (937) 778-8947 • Canada: (905) 457-6223 • International: (937) 615-3598