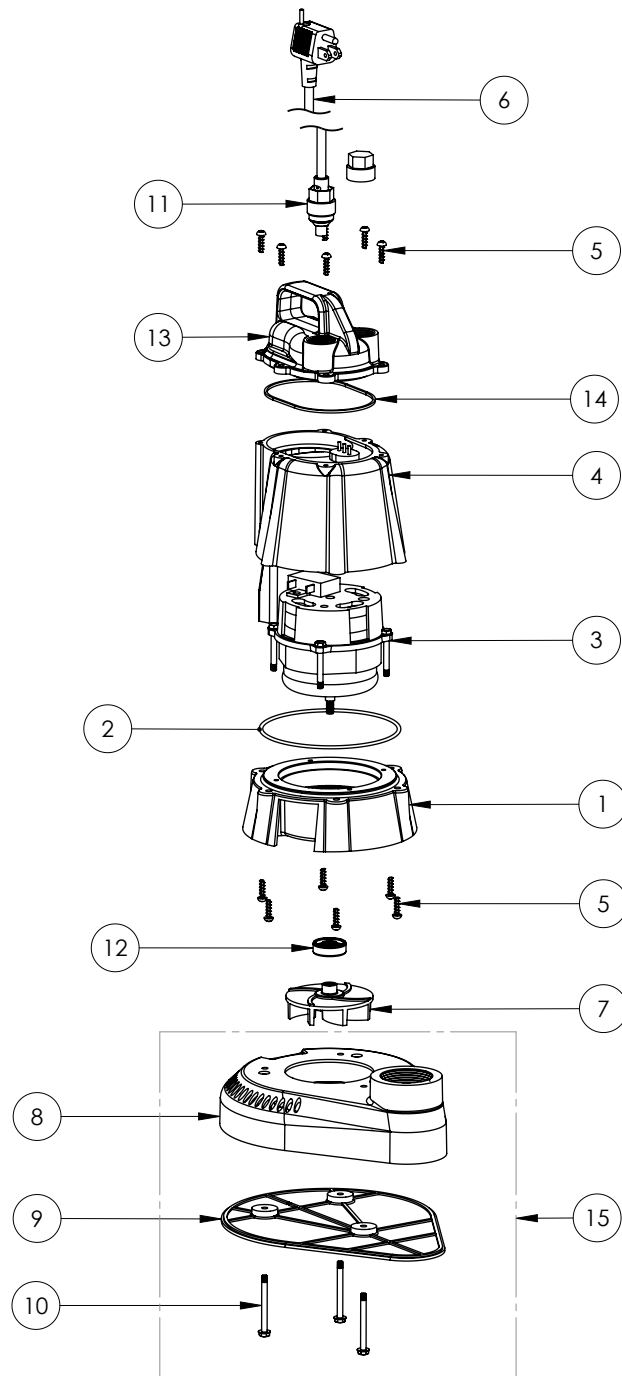


S35M

# S35M (B26)



Liberty  
Pumps

**S35M****S35M (B26)**

| <b>#</b> | <b>PART #</b> | <b>DESCRIPTION</b>                    | <b>QTY</b> | <b>Note</b> |
|----------|---------------|---------------------------------------|------------|-------------|
| 1        | 3011000       | MOTOR PLATE                           | 1          |             |
| 2        | 3026000       | O-RING                                | 1          |             |
| 3        | 3012000       | MOTOR                                 | 1          |             |
| 4        | 3010000       | S35 HOUSING                           | 1          |             |
| 5        | 8104200       | #10 HILO X 5/8" STAINLESS STEEL SCREW | 6          |             |
| 6        | 3023000       | POWER CORD                            | 3          |             |
| 7        | 3019E00       | IMPELLER                              | 1          |             |
| 8        | 3013000       | VOLUTE                                | 1          |             |
| 9        | 3016000       | BASE PLATE                            | 1          |             |
| 10       | 3029E00       | WASHER HEAD CAP SCREW                 | 3          |             |
| 11       | 3021000       | COMPRESSION NUT                       | 1          |             |
| 12       | 3039000       | DOUBLE LIP SEAL                       | 1          |             |
| 13       | 3017000       | CHAMBER COVER                         | 1          |             |
| 14       | 3018000       | CHAMBER SEAL RING                     | 1          |             |
| 15       | K001090       | VOLUTE ASSEMBLY                       | 1          |             |