

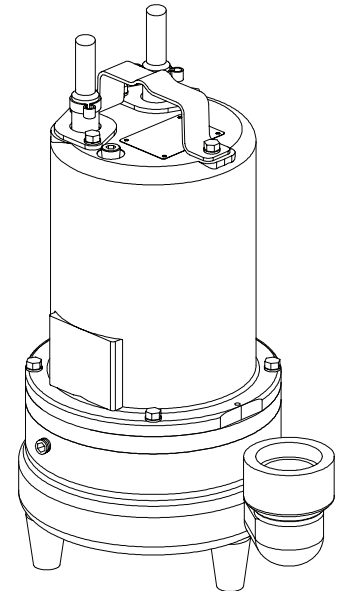
Submersible Effluent Pumps

Specifications:

DISCHARGE 2" NPT, Female, Vertical
LIQUID TEMPERATURE 104°F (40°C) Continuous
VOLUTE Cast Iron ASTM A-48, Class 30
MOTOR HOUSING Cast Iron ASTM A-48, Class 30
SEAL PLATE Cast Iron ASTM A-48, Class 30
IMPELLER: Design 3 Vane, open, with pump out vanes on back side. Dynamically balanced, ISO G6.3
Material Polypropylene with stainless steel insert
SHAFT 416 Stainless Steel
SQUARE RINGS Buna-N
HARDWARE 300 Series Stainless Steel
PAINT Air Dry Enamel
SEAL: *Design* Tandem Mechanical, Oil-Filled reservoir
Material Carbon/Ceramic/Buna-N
Hardware -300 Series Stainless
CORD ENTRY 20 ft. (6m) Cord with plug on 120 volt & .5HP, 240 volt, 1 phase. Quick connect, custom molded for sealing and strain relief
UPPER BEARING Single Row, Ball, Oil lubricated
LOWER BEARING Single Row, Ball, Oil lubricated
MOTOR: Design NEMA L -Single Phase, NEMA B -Three phase Torque Curve, Oil Filled, Squirrel Cage Induction
Insulation Class B
SINGLE PHASE Permanent Split Capacitor (PSC)
Includes Overload Protection in Motor
THREE PHASE 200-240/480 is Tri-Voltage. 600V. Requires Overload Protection to be included in control panel
OPTIONAL EQUIPMENT Seal Material, Impeller Trims, Additional cord, Normally Closed Temperature Sensors with cord for 3 phase pumps (Requires relay in control panel), Normally Open Moisture Sensors with cord (Requires Relay in control panel).

RECOMMENDED:

Accessories Break Away Fitting (BAF)
Check Valve
Control Panel
Seal Kit PN 130176
Service Kit PN 130172



Series: EH-DS
.5, 1.0 & 1.5HP, 3450RPM,
60Hz



Sample Specifications: Section 3 Page 5.

DESCRIPTION:

PUMP IS DESIGNED FOR HANDLING SEWAGE EFFLUENT IN TYPICAL SEPTIC TANK/EFFLUENT APPLICATIONS.

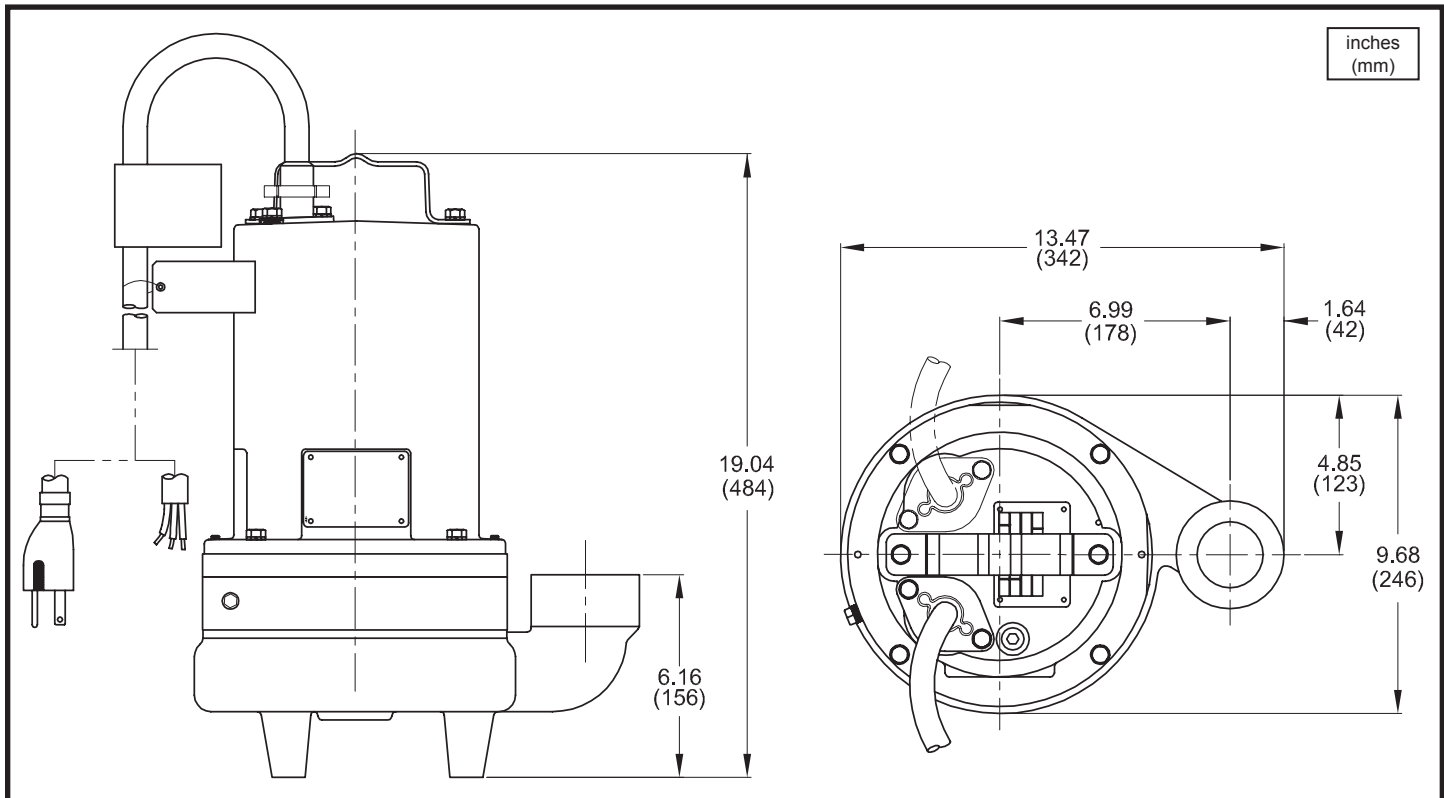
Series EH-DS

3/4" Spherical Solids Handling
Double Seal

BARNES®

www.cranepumps.com

Submersible Effluent Pumps



MODEL NO	PART NO	HP	VOLT/PH	Hz	RPM (Nom)	NEMA START CODE	FULL LOAD AMPS	LOCKED ROTOR AMPS	CORD SIZE	CORD TYPE	CORD O.D inch (mm)
EH512DS	105063	0.5	120/1	60	3450	G	11.4	24.6	14/3	SJTOW	0.375 (9.5)
EH522DS	105064	0.5	240/1	60	3450	E	4.9	10.2	14/3	SOW	0.530 (13.5)
EH592DS	105065	0.5	200/240/3	60	3450	P/R	4.2/4.5	19.9/18.4	14/4	SOW	0.570 (14.5)
EH542DS	105066	0.5	480/3	60	3450	R	2.2	9.1	14/4	SOW	0.570 (14.5)
EH552DS	105067	0.5	600/3	60	3450	T	1.7	8.7	14/4	SOW	0.570 (14.5)
EH1022DS	105072	1.0	240/1	60	3450	F	8.1	21.8	14/3	SOW	0.530 (13.5)
EH1092DS	105073	1.0	200/240/3	60	3450	H/J	8.1/6.2	19.9/18.4	14/4	SOW	0.570 (14.5)
EH1042DS	105074	1.0	480/3	60	3450	J	3.1	9.1	14/4	SOW	0.570 (14.5)
EH1052DS	105075	1.0	600/3	60	3450	L	2.8	8.7	14/4	SOW	0.570 (14.5)
EH1522DS	105080	1.5	240/1	60	3450	E	10.9	30.6	14/3	SOW	0.530 (13.5)
EH1592DS	105081	1.5	200/240/3	60	3450	H/F	7.8/7.0	29.2/18.7	14/4	SOW	0.570 (14.5)
EH1542DS	105082	1.5	480/3	60	3450	K	3.5	14.6	14/4	SOW	0.570 (14.5)
EH1552DS	105083	1.5	600/3	60	3450	K	2.7	11.6	14/4	SOW	0.570 (14.5)

OPTIONAL - Temperature sensor cord for 3 phase models is 14/3 SOW, .530 (13.5mm) O.D.

OPTIONAL - Moisture sensor cord is 18/5 SOW, 0.470 (11.9mm) O.D.

OPTIONAL - Moisture and Temperature sensor cord for 3 phase models is 18/5 SOW, 0.470 (11.9mm) O.D.

IMPORTANT !

- PUMP MAY BE OPERATED "DRY" FOR EXTENDED PERIODS WITHOUT DAMAGE TO MOTOR AND/OR SEALS.
- INSTALLATIONS SUCH AS DECORATIVE FOUNTAINS OR WATER FEATURES PROVIDED FOR VISUAL ENJOYMENT MUST BE INSTALLED IN ACCORDANCE WITH THE NATIONAL ELECTRIC CODE ANSI/NFPA 70 AND/OR THE AUTHORITY HAVING JURISDICTION. THIS PUMP IS NOT INTENDED FOR USE IN SWIMMING POOLS, RECREATIONAL WATER PARKS, OR INSTALLATIONS IN WHICH HUMAN CONTACT WITH PUMPED MEDIA IS A COMMON OCCURRENCE.

SECTION 3A
PAGE 14
DATE 3/14

CRANE®

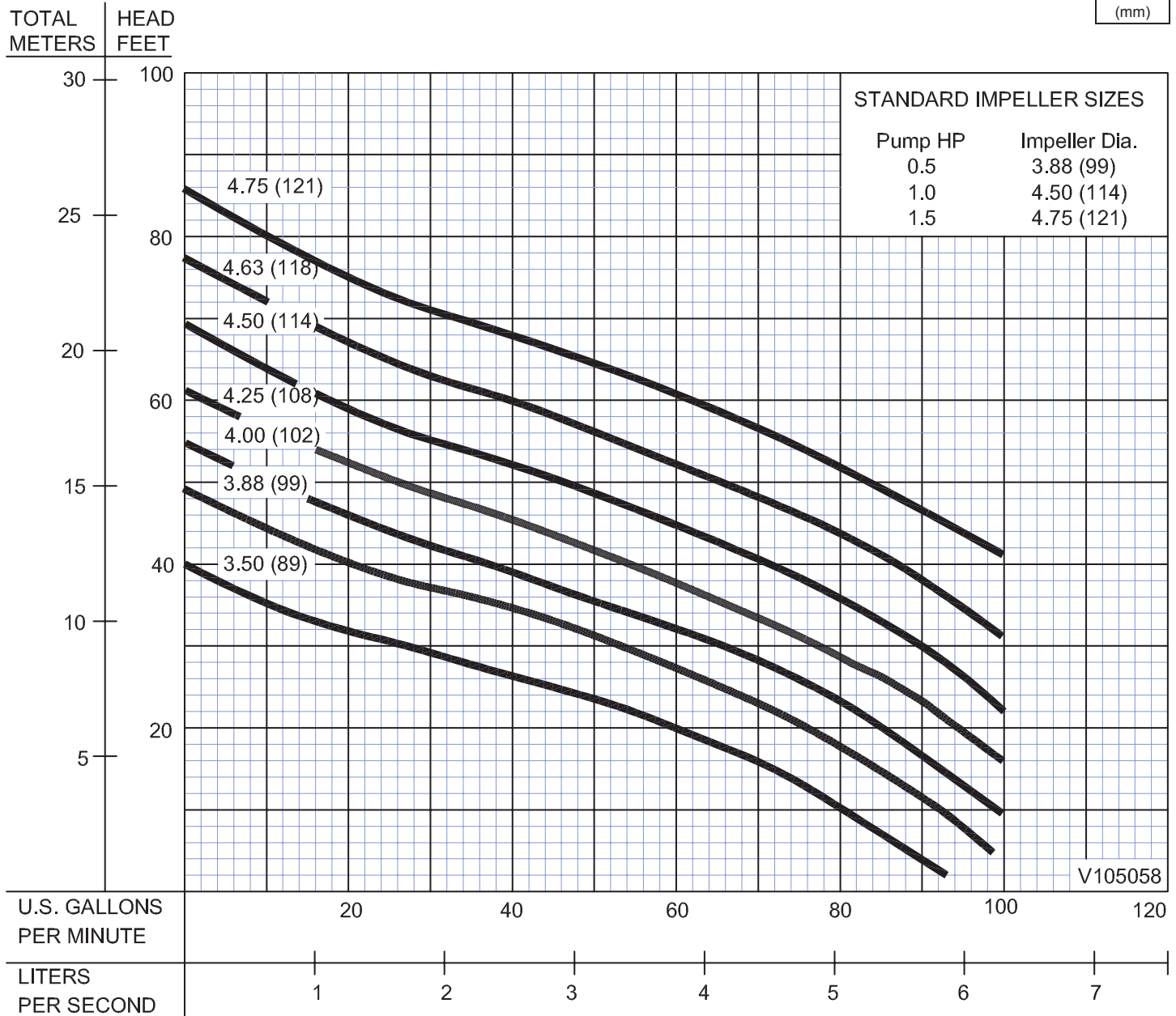
A Crane Co. Company

PUMPS & SYSTEMS

USA: (937) 778-8947 • Canada: (905) 457-6223 • International: (937) 615-3598

Submersible Effluent Pumps

inches
(mm)



Testing is performed with water, specific gravity 1.0 @ 68° F @ (20°C), other fluids may vary performance